



US00D539419S

(12) **United States Design Patent**
Dunne

(10) **Patent No.:** **US D539,419 S**

(45) **Date of Patent:** **** Mar. 27, 2007**

(54) **TOOTHBRUSH DEVICE**

(76) **Inventor:** **Brendan Dunne**, Emancipatie
Boulevard 31, Curacao (AN)

(**) **Term:** **14 Years**

(21) **Appl. No.:** **29/208,786**

(22) **Filed:** **Jul. 2, 2004**

(30) **Foreign Application Priority Data**

Mar. 25, 2004 (EM) 156583

(51) **LOC (8) Cl.** **24-02**

(52) **U.S. Cl.** **D24/111; D24/152**

(58) **Field of Classification Search** D24/111,
D24/152; 601/162, 165; 222/372, 381.1,
222/385; 433/80, 87, 88, 89, 99, 114
See application file for complete search history.

(56) **References Cited**

U.S. PATENT DOCUMENTS

4,941,459	A	*	7/1990	Mathur	601/165
5,095,893	A	*	3/1992	Rawden, Jr.	601/165
5,218,956	A	*	6/1993	Handler et al.	601/155
5,387,182	A	*	2/1995	Otani	601/165

5,667,483	A	*	9/1997	Santos	601/162
D406,334	S	*	3/1999	Rosenthal et al.	D24/111
5,934,902	A	*	8/1999	Abahusayn	433/80
6,159,006	A	*	12/2000	Cook et al.	433/80
2003/0204155	A1	*	10/2003	Egeresi	601/165

* cited by examiner

Primary Examiner—Ian Simmons

Assistant Examiner—W. Laymon

(74) *Attorney, Agent, or Firm*—The Webb Law Firm

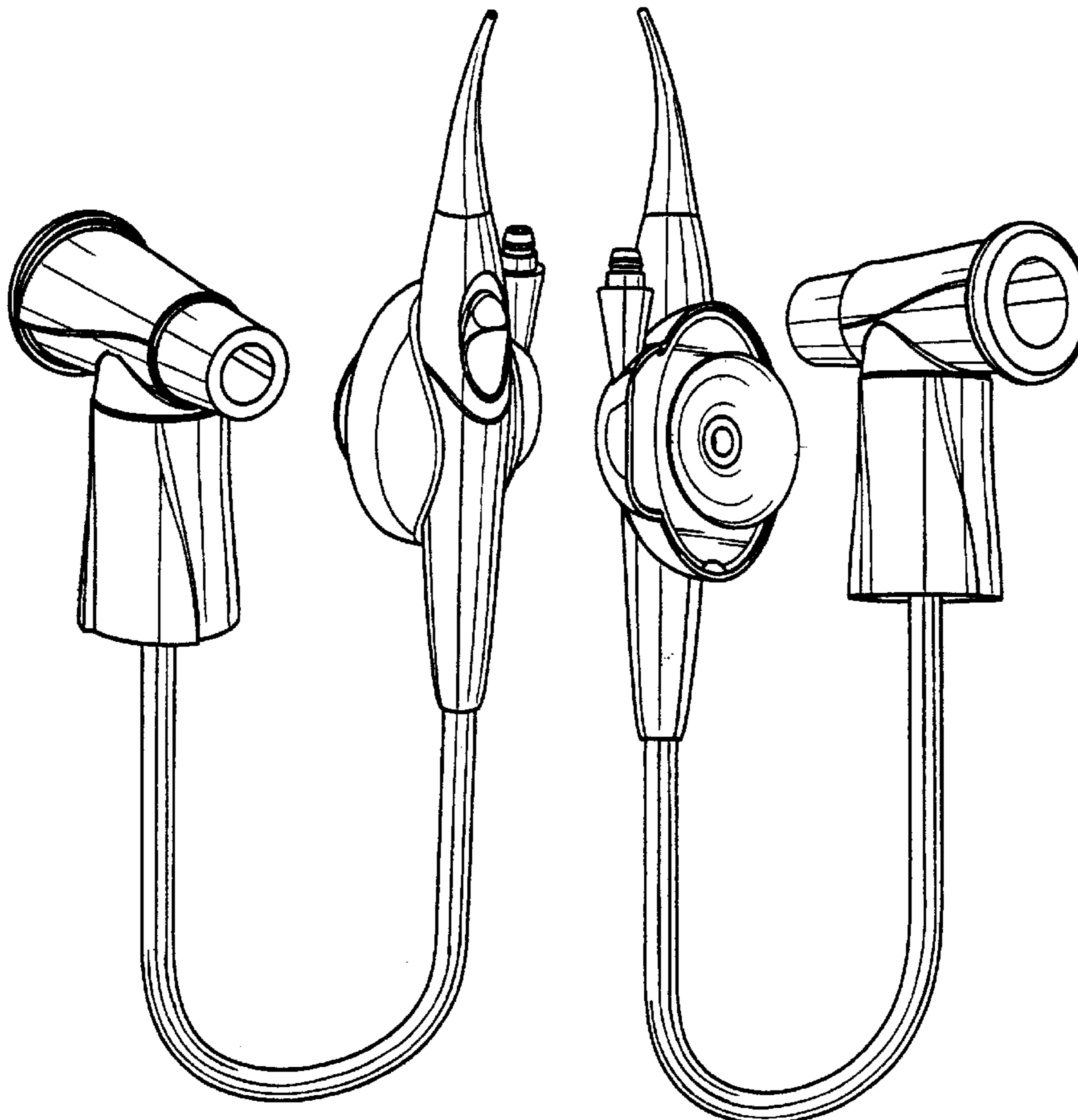
(57) **CLAIM**

The ornamental design for a toothbrush device, as shown.

DESCRIPTION

FIG. 1 is a rear perspective view of a toothbrush device in accordance with the present invention; FIG. 2 is a front perspective view thereof; FIG. 3 is a left side view thereof; FIG. 4 is a front view thereof; FIG. 5 is a right side view thereof; FIG. 6 is a top view thereof; FIG. 7 is a bottom view thereof; and, FIG. 8 is a rear view thereof.

1 Claim, 3 Drawing Sheets



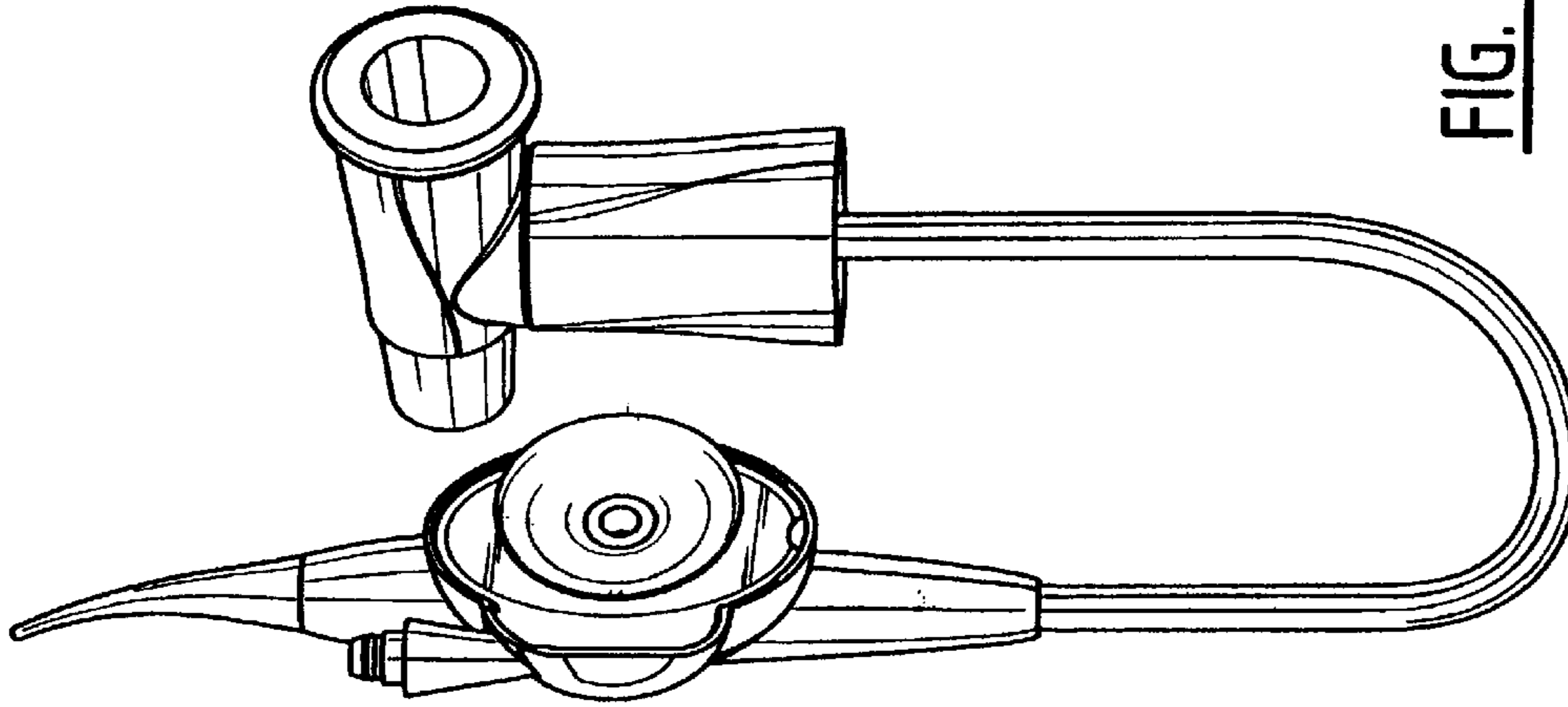


FIG. 2

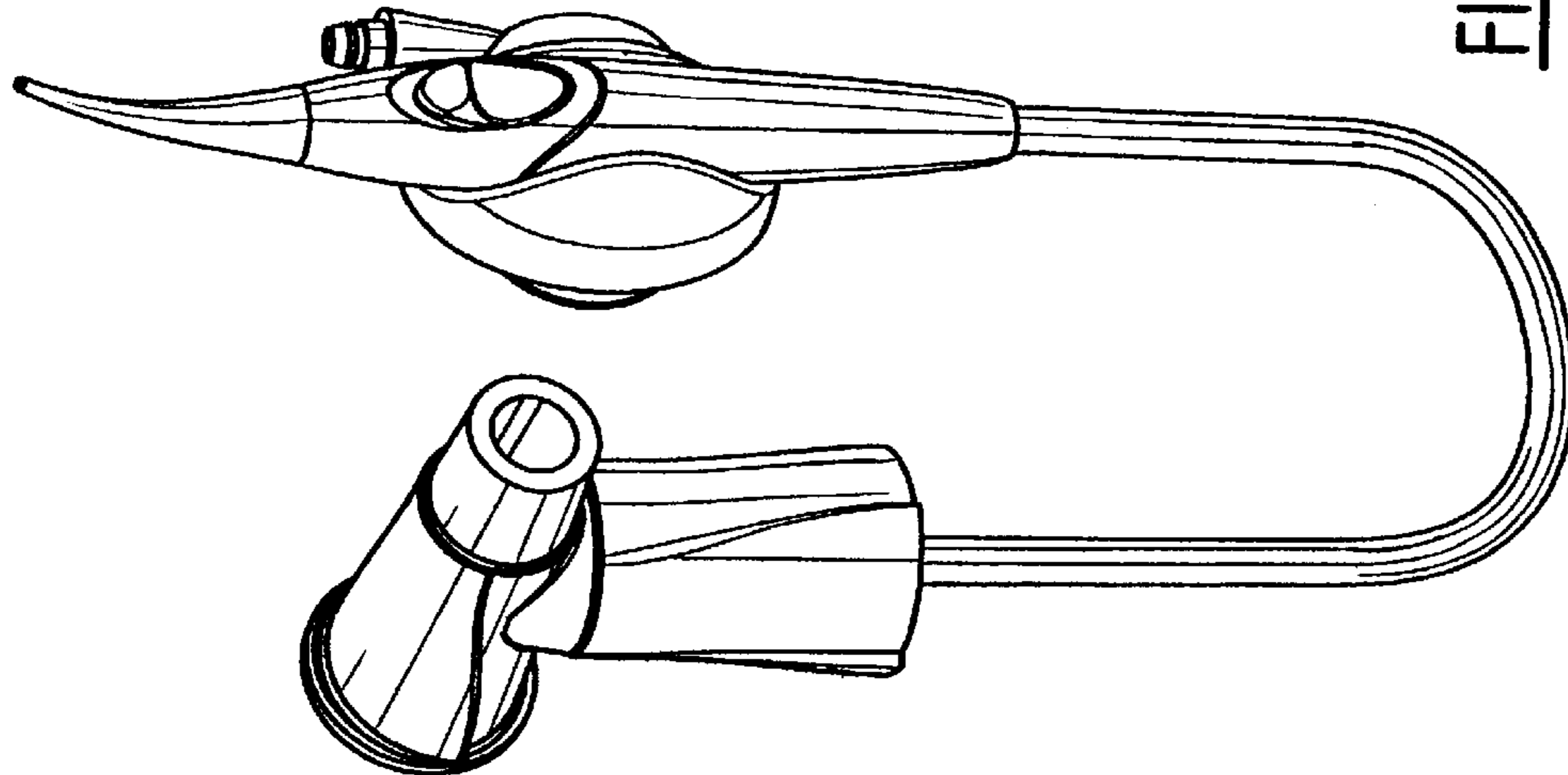


FIG. 1

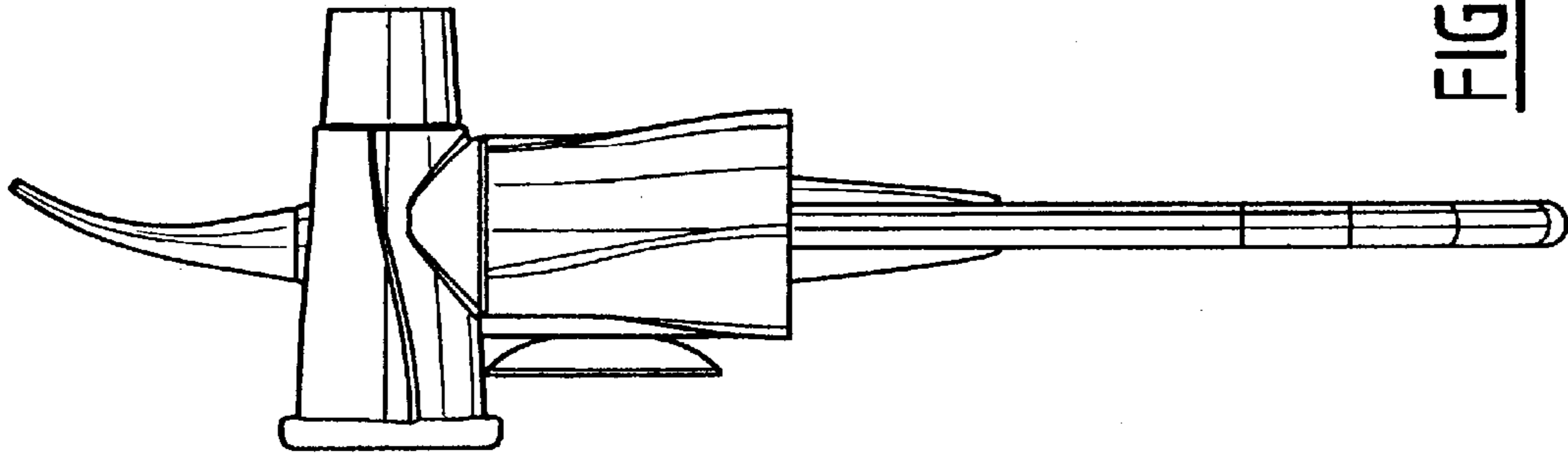


FIG. 5

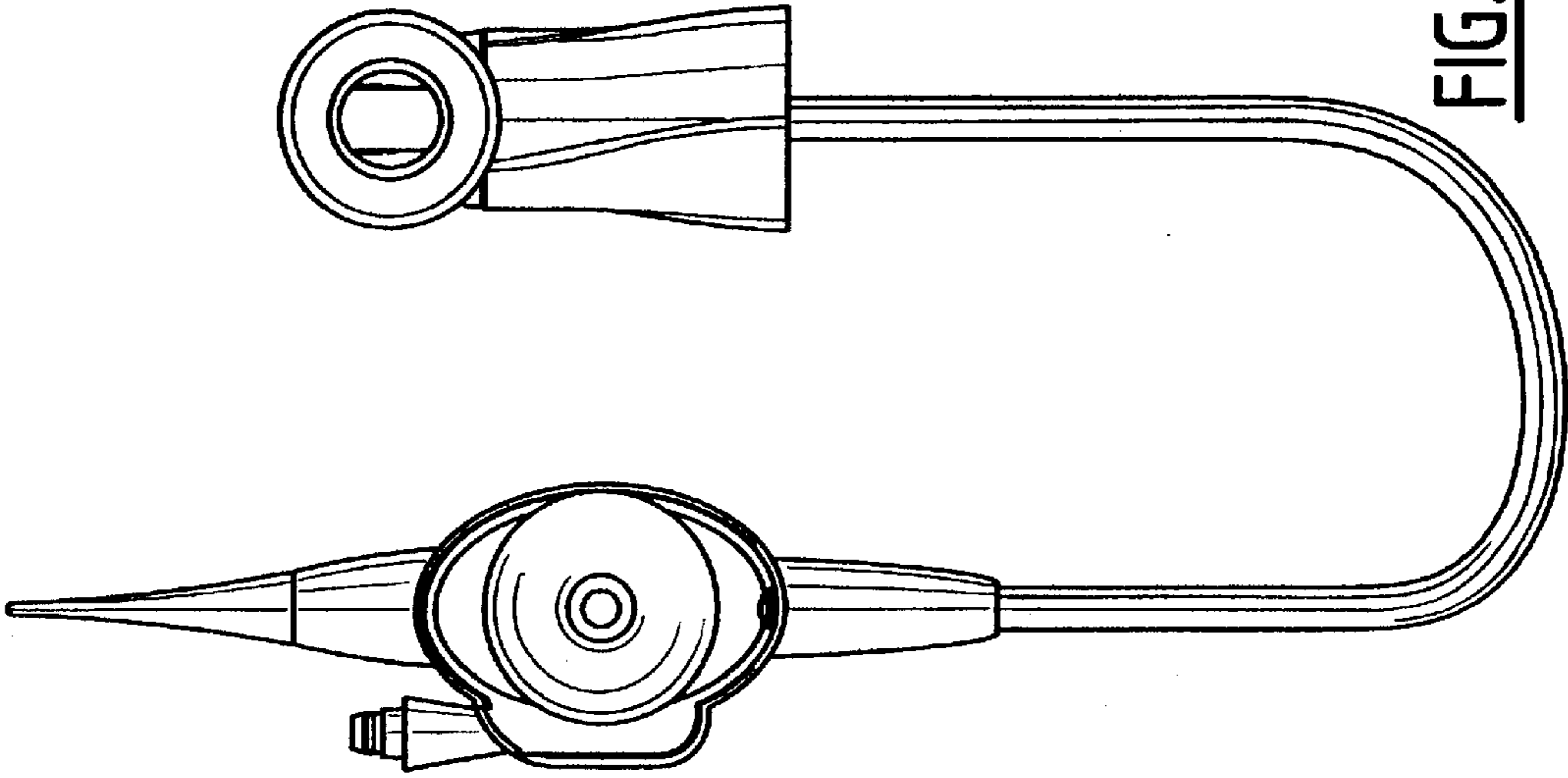


FIG. 4

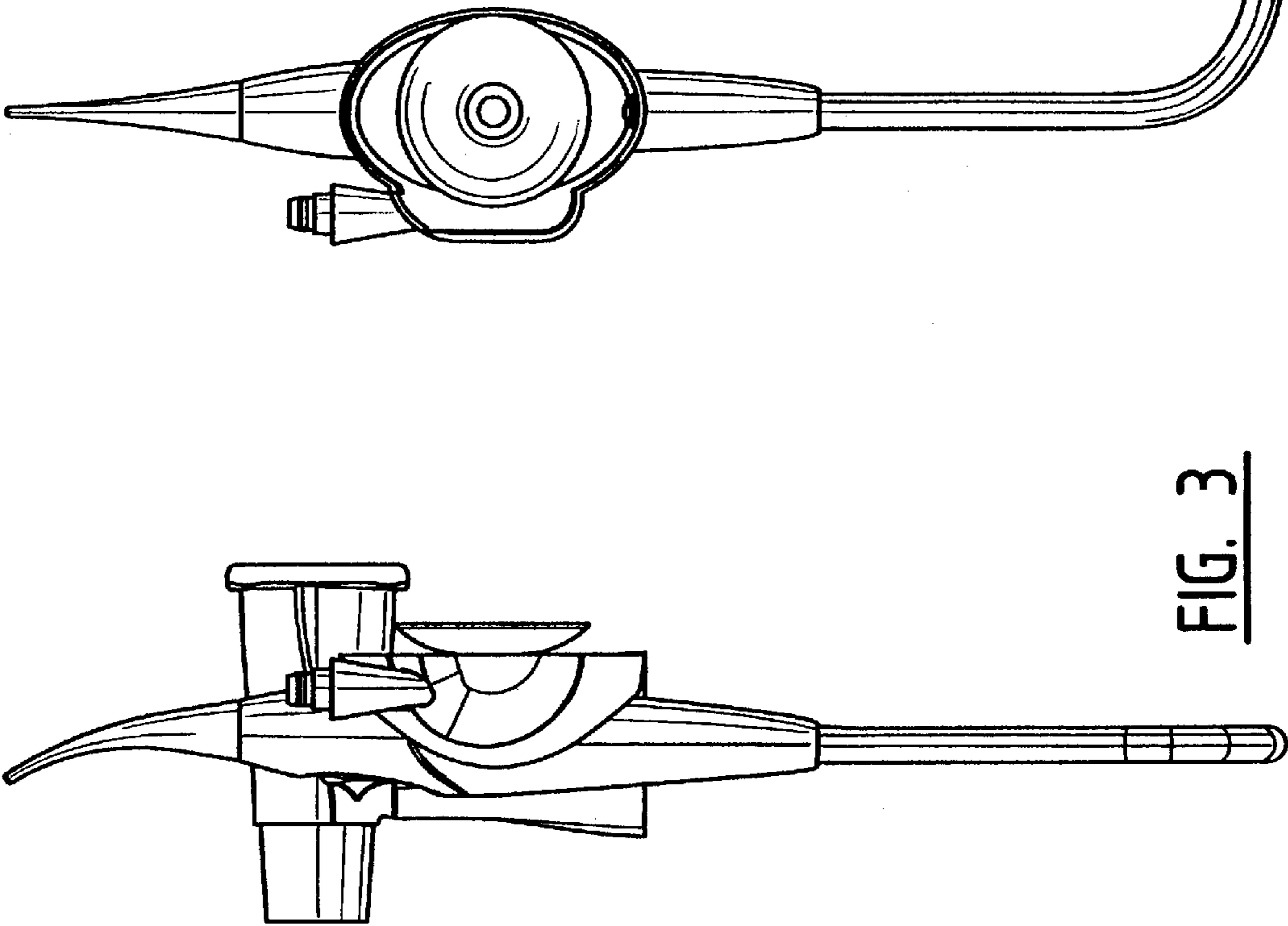


FIG. 3

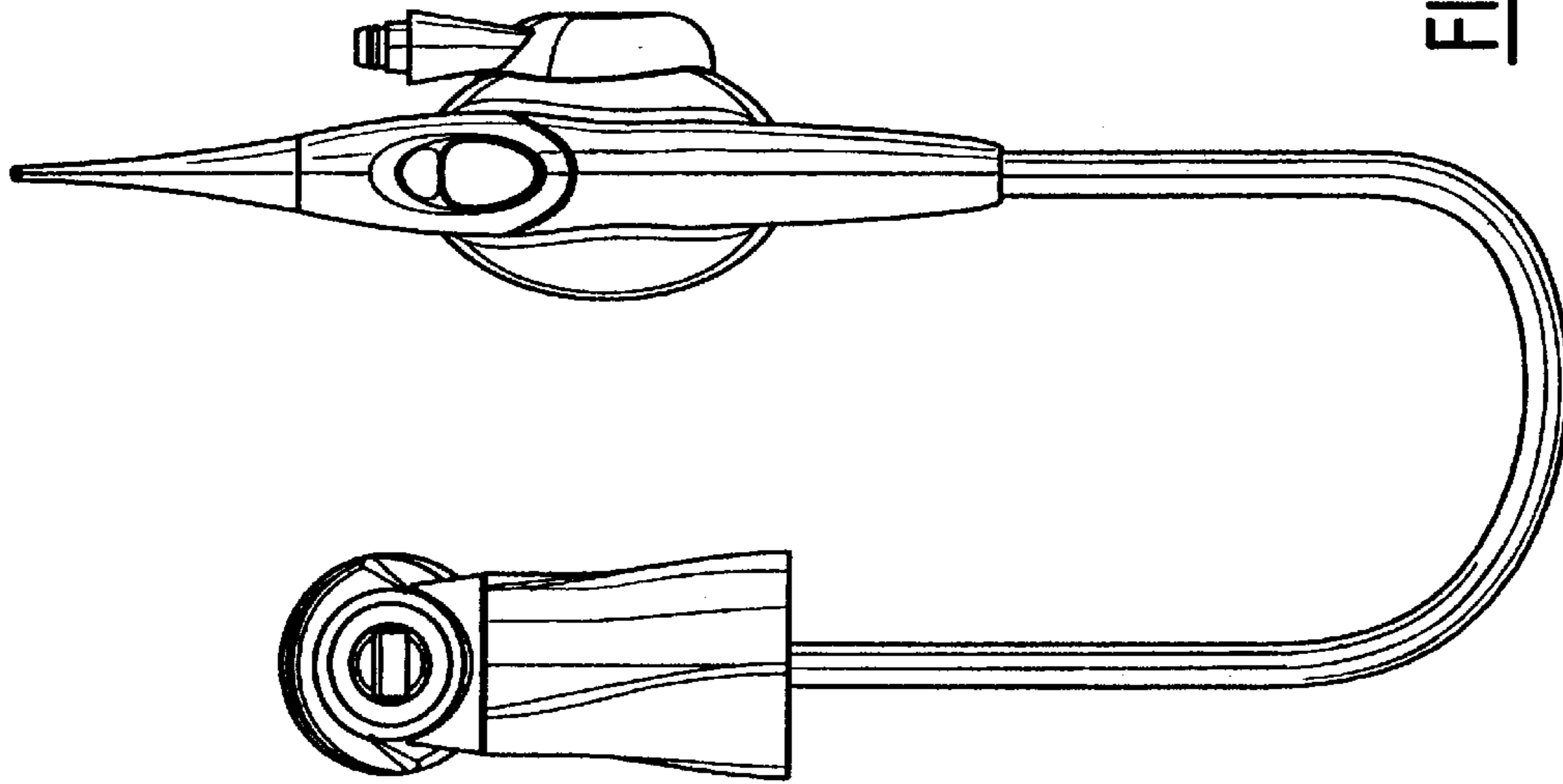


FIG. 8

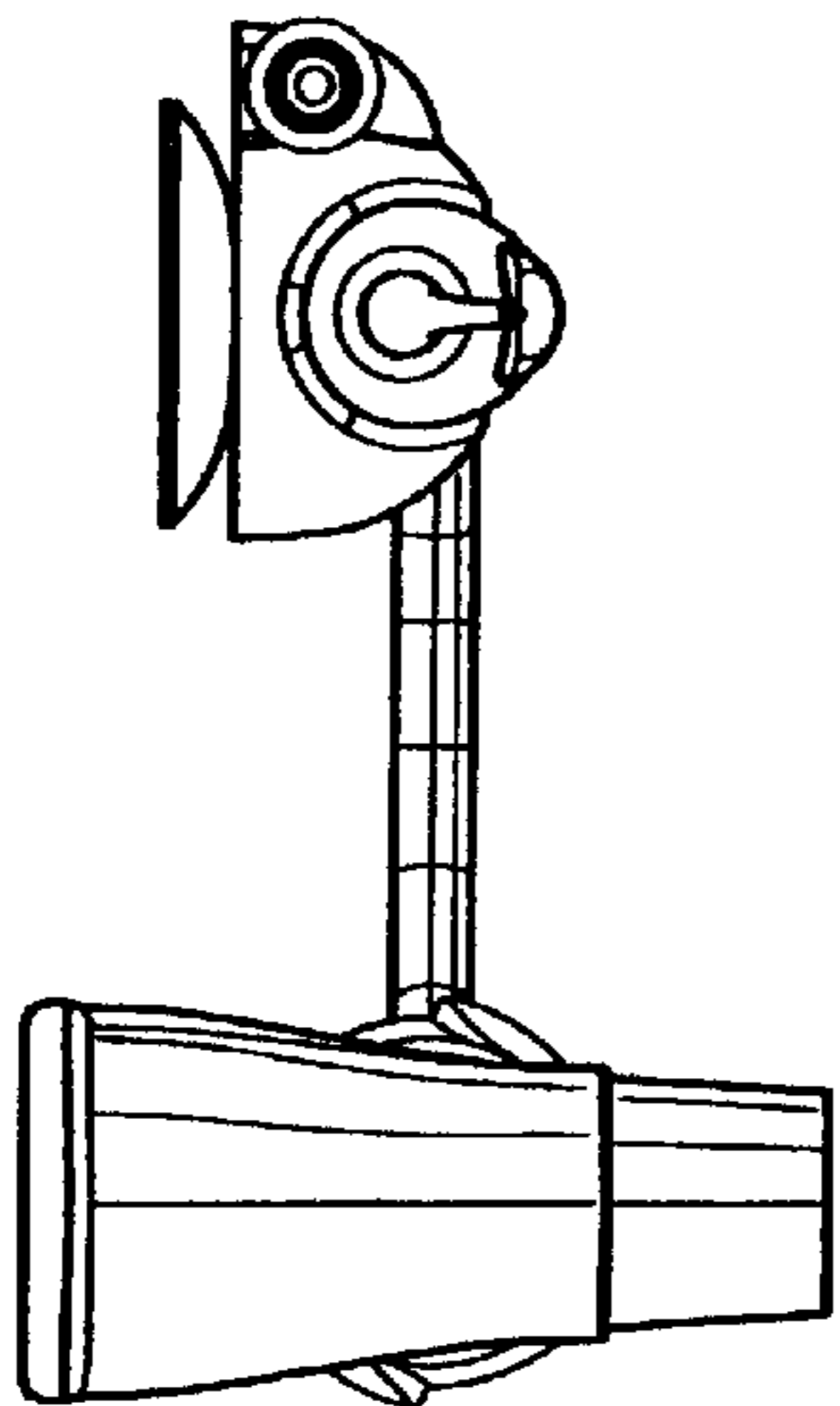


FIG. 6

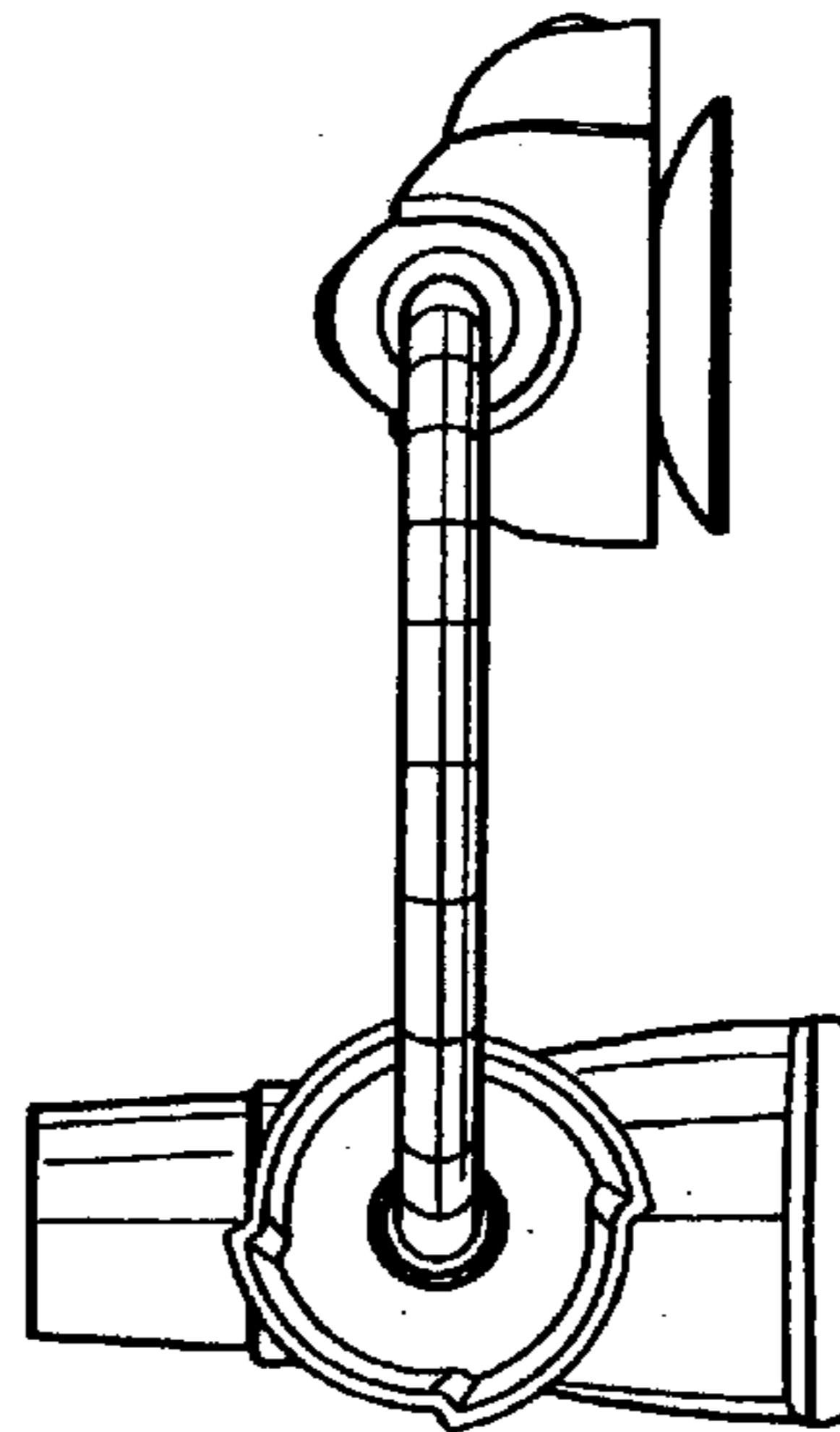


FIG. 7

UNITED STATES PATENT AND TRADEMARK OFFICE
CERTIFICATE OF CORRECTION

PATENT NO. : Des. 539,419 S
APPLICATION NO. : 29/208786
DATED : March 27, 2007
INVENTOR(S) : Dunne

Page 1 of 5

It is certified that error appears in the above-identified patent and that said Letters Patent is hereby corrected as shown below:

Substitute the print fig on the Title Page and figs 1-8 with the title page and figs 1-8 shown on the attached pages.

Signed and Sealed this

Eighteenth Day of September, 2007

A handwritten signature in black ink on a light gray dotted background. The signature reads "Jon W. Dudas" in a cursive style.

JON W. DUDAS

Director of the United States Patent and Trademark Office

(12) **United States Design Patent**
Dunne

(10) **Patent No.:** **US D539,419 S**
 (45) **Date of Patent:** **** Mar. 27, 2007**

(54) **TOOTHBRUSH DEVICE**

(76) **Inventor:** Brendan Dunne, Emancipatia
 Boulevard 31, Curacao (AN)

(**) **Term:** 14 Years

(21) **Appl. No.:** 29/209,786

(22) **Filed:** Jul. 2, 2004

(30) **Foreign Application Priority Data**

Mar. 25, 2004 (EM) 156583

(51) **LOC (B) Cl.** 24-02

(52) **U.S. Cl.** D24/111; D24/152

(58) **Field of Classification Search** D24/111,
 D24/152; 601/152, 165; 222/372, 381.1,
 222/385; 433/80, 87, 88, 89, 99, 114
 See application file for complete search history.

(56) **References Cited**

U.S. PATENT DOCUMENTS

- 4,941,459 A * 7/1990 Mathur 601/165
- 5,095,893 A * 3/1992 Rawden, Jr. 601/165
- 5,218,956 A * 6/1993 Handler et al. 601/155
- 5,387,182 A * 2/1995 Otani 601/165

- 5,667,483 A * 9/1997 Santos 601/162
- D406,334 S * 3/1999 Rosenthal et al. D24/111
- 5,934,902 A * 8/1999 Ababusayn 433/80
- 6,159,006 A * 12/2000 Cook et al. 433/80
- 2003/0204155 A1 * 10/2003 Egeresi 601/165

* cited by examiner

Primary Examiner—Ian Simmons

Assistant Examiner—W. Laymon

(74) *Attorney, Agent, or Firm*—The Webb Law Firm

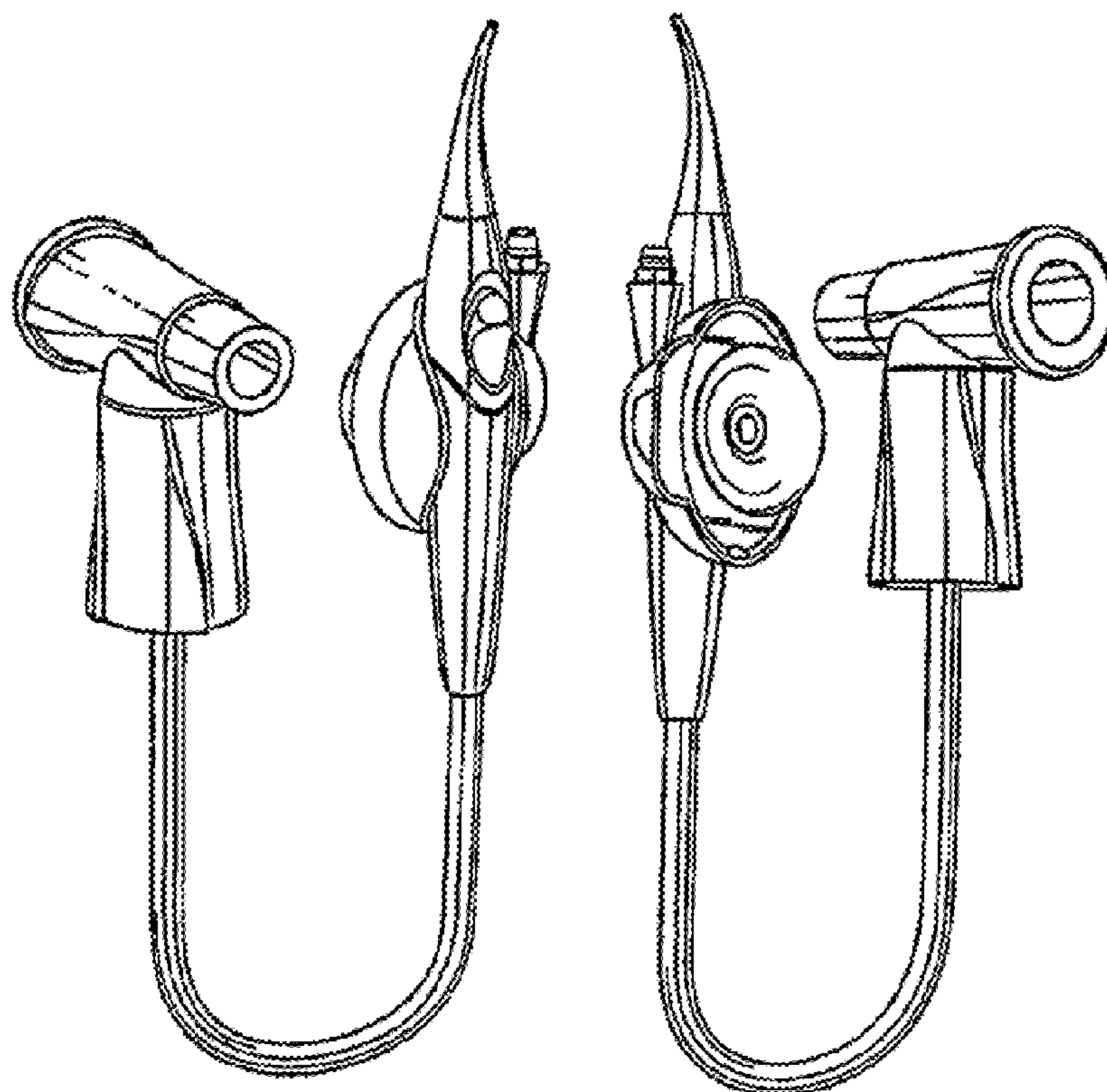
(57) **CLAIM**

The ornamental design for a toothbrush device, as shown.

DESCRIPTION

FIG. 1 is a rear perspective view of a toothbrush device in accordance with the present invention;
 FIG. 2 is a front perspective view thereof;
 FIG. 3 is a left side view thereof;
 FIG. 4 is a front view thereof;
 FIG. 5 is a right side view thereof;
 FIG. 6 is a top view thereof;
 FIG. 7 is a bottom view thereof; and,
 FIG. 8 is a rear view thereof.

1 Claim, 3 Drawing Sheets



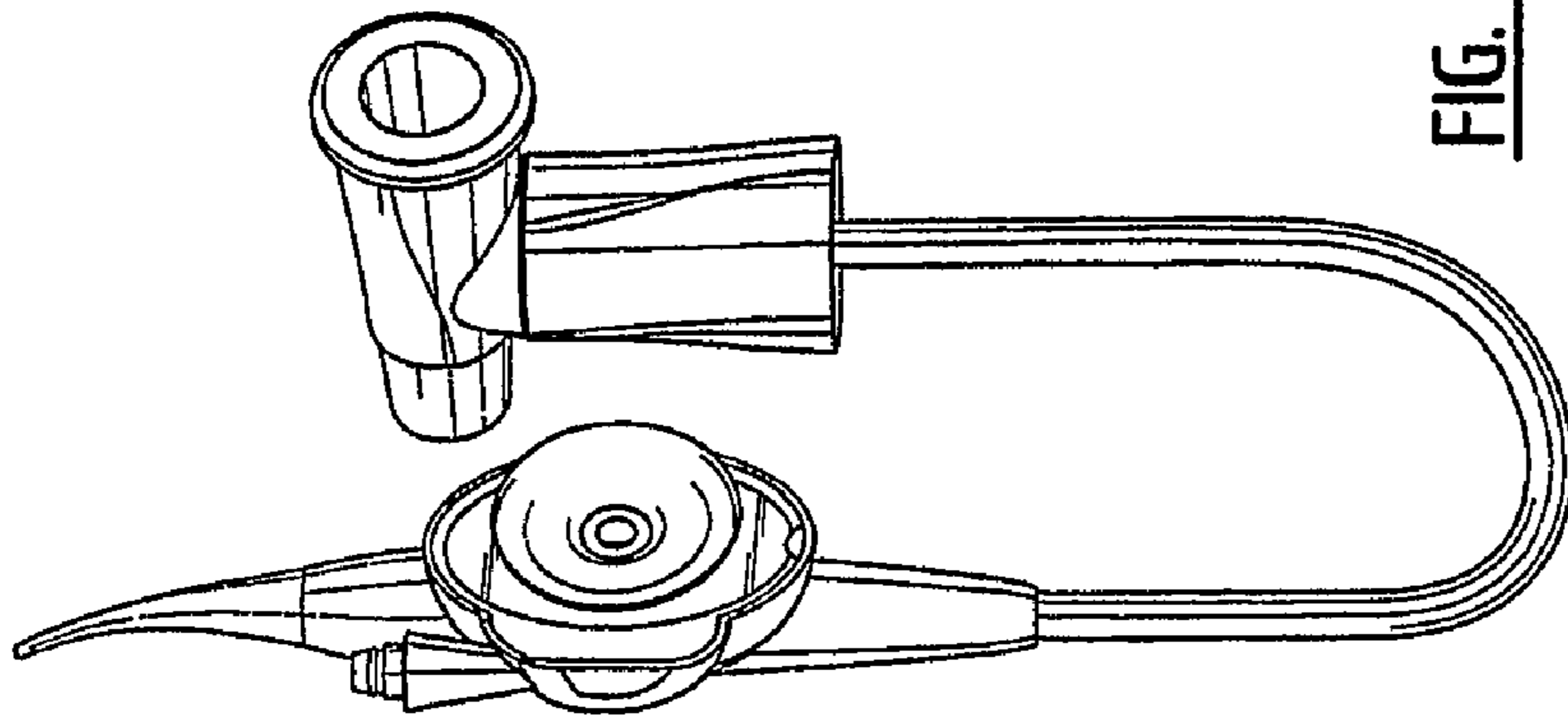


FIG. 2

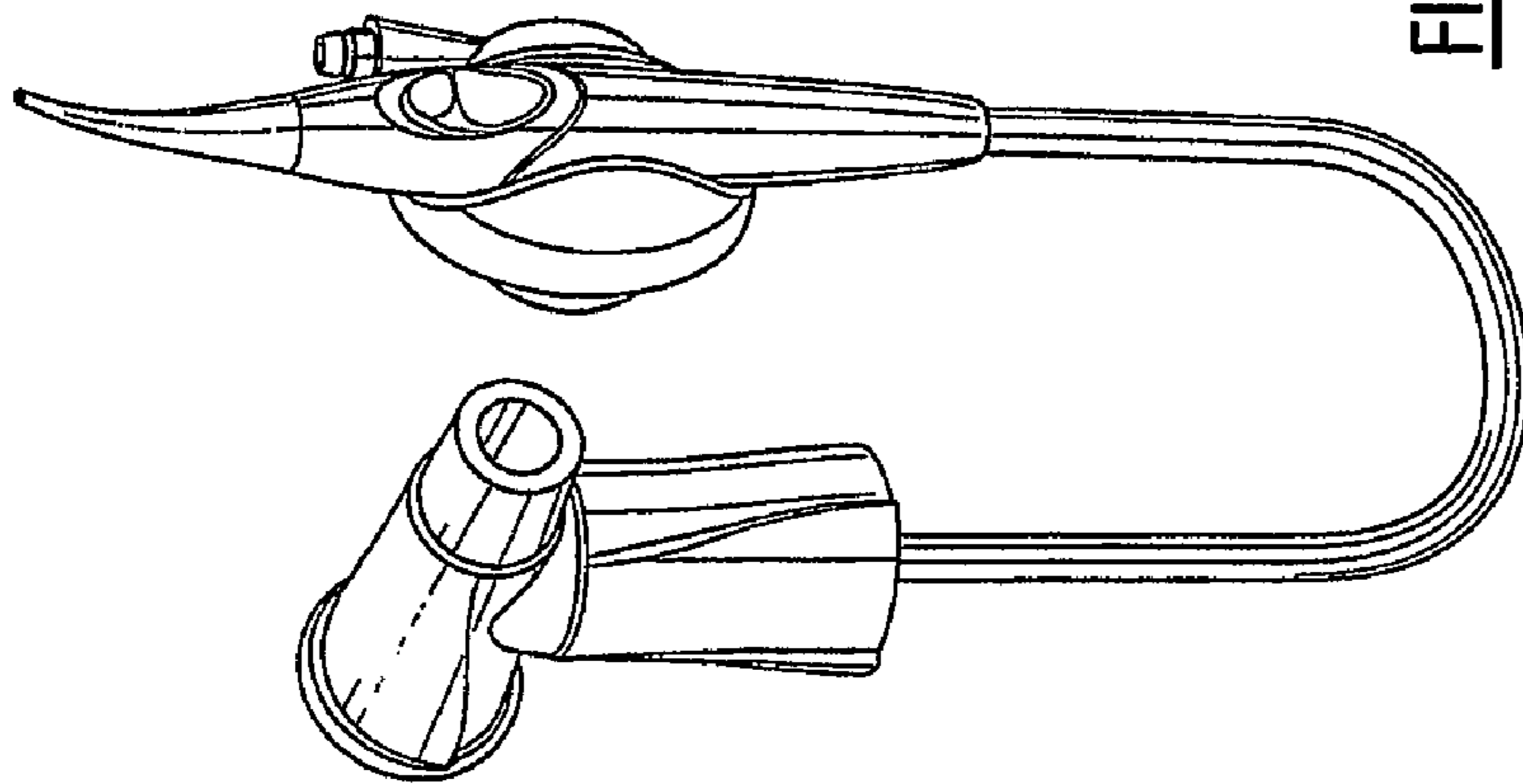


FIG. 1

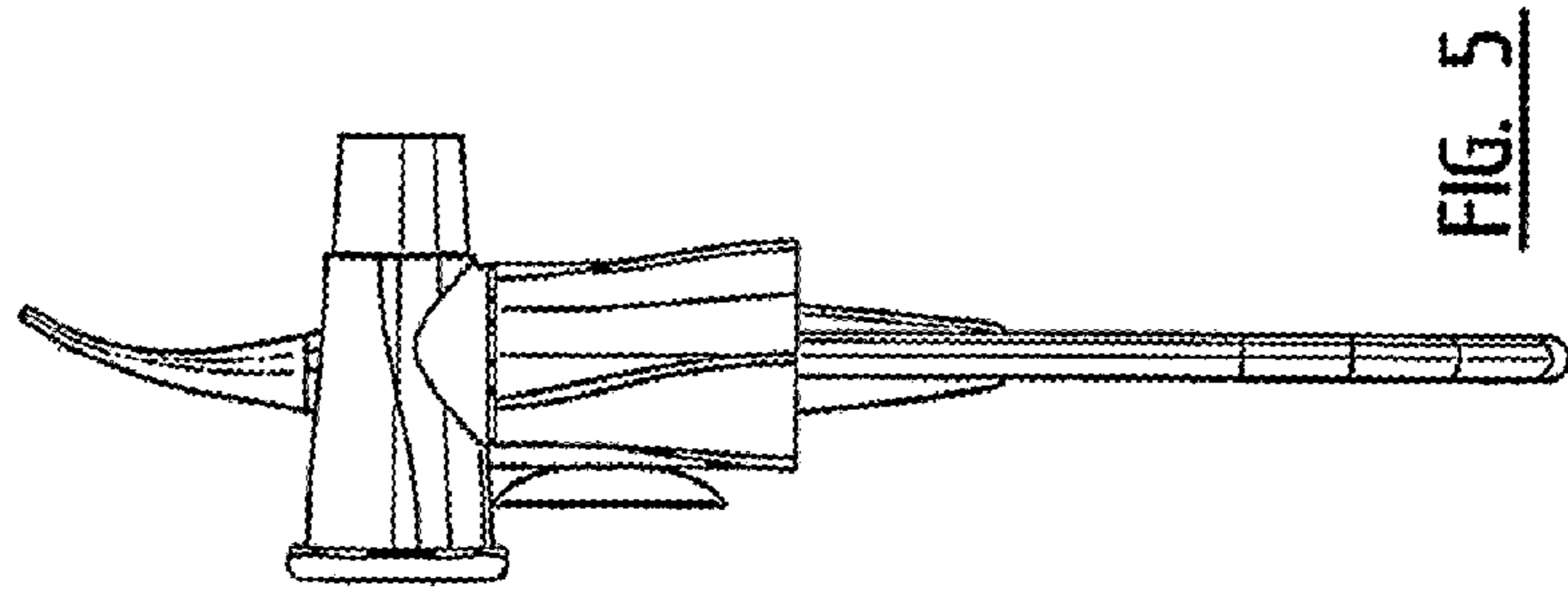


FIG. 5

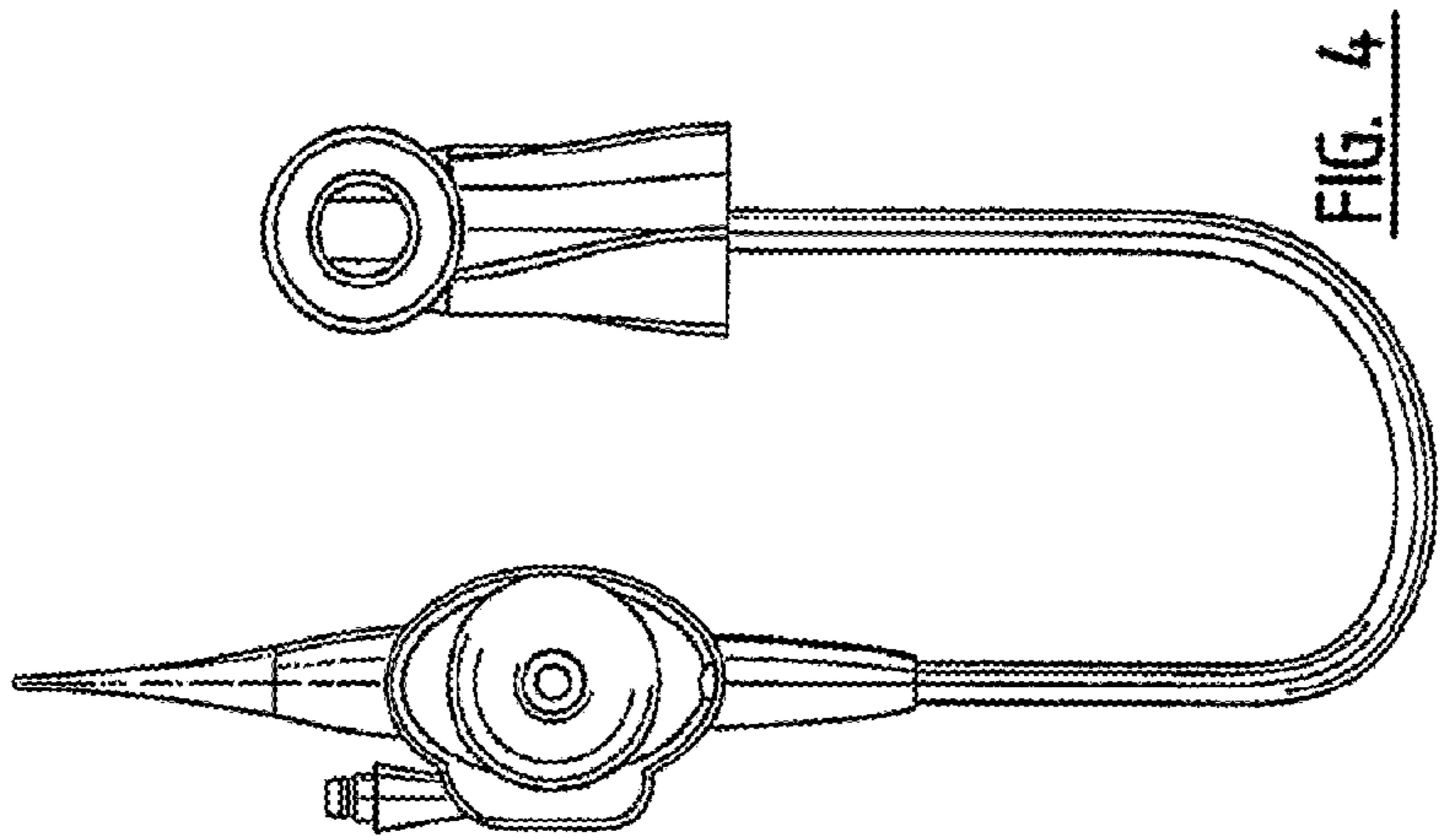


FIG. 4

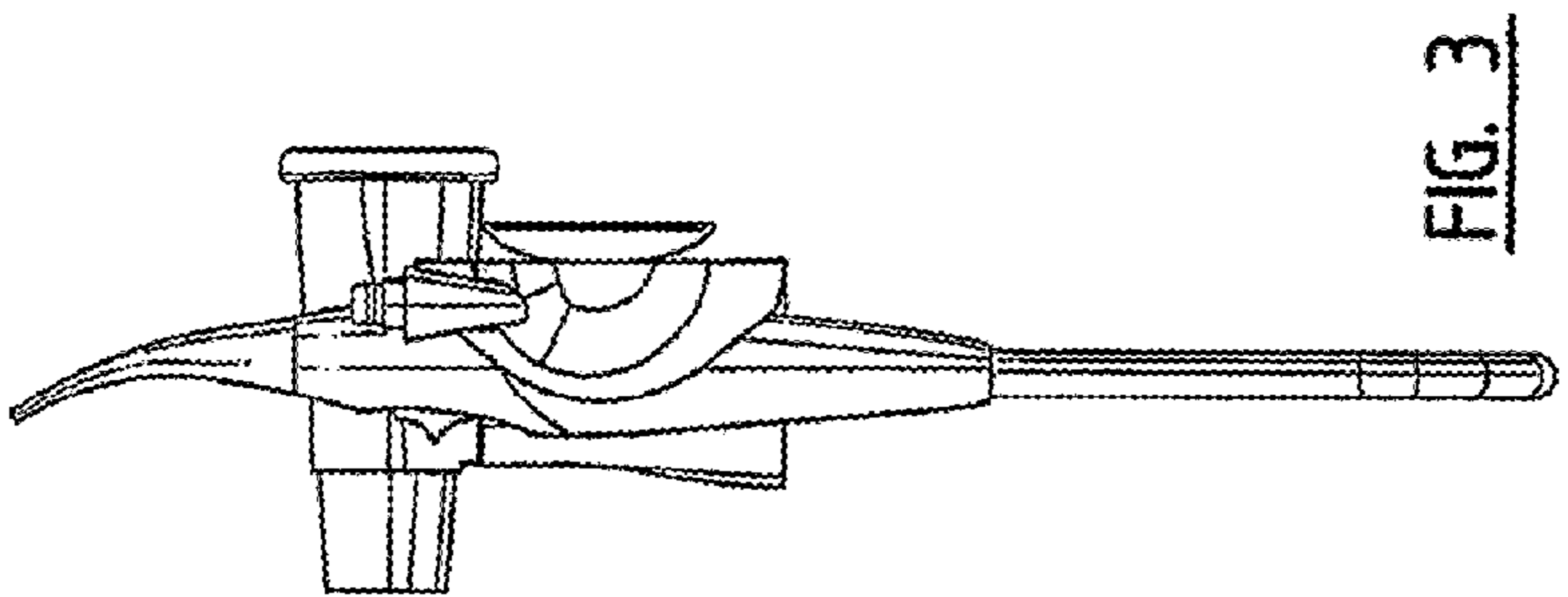


FIG. 3

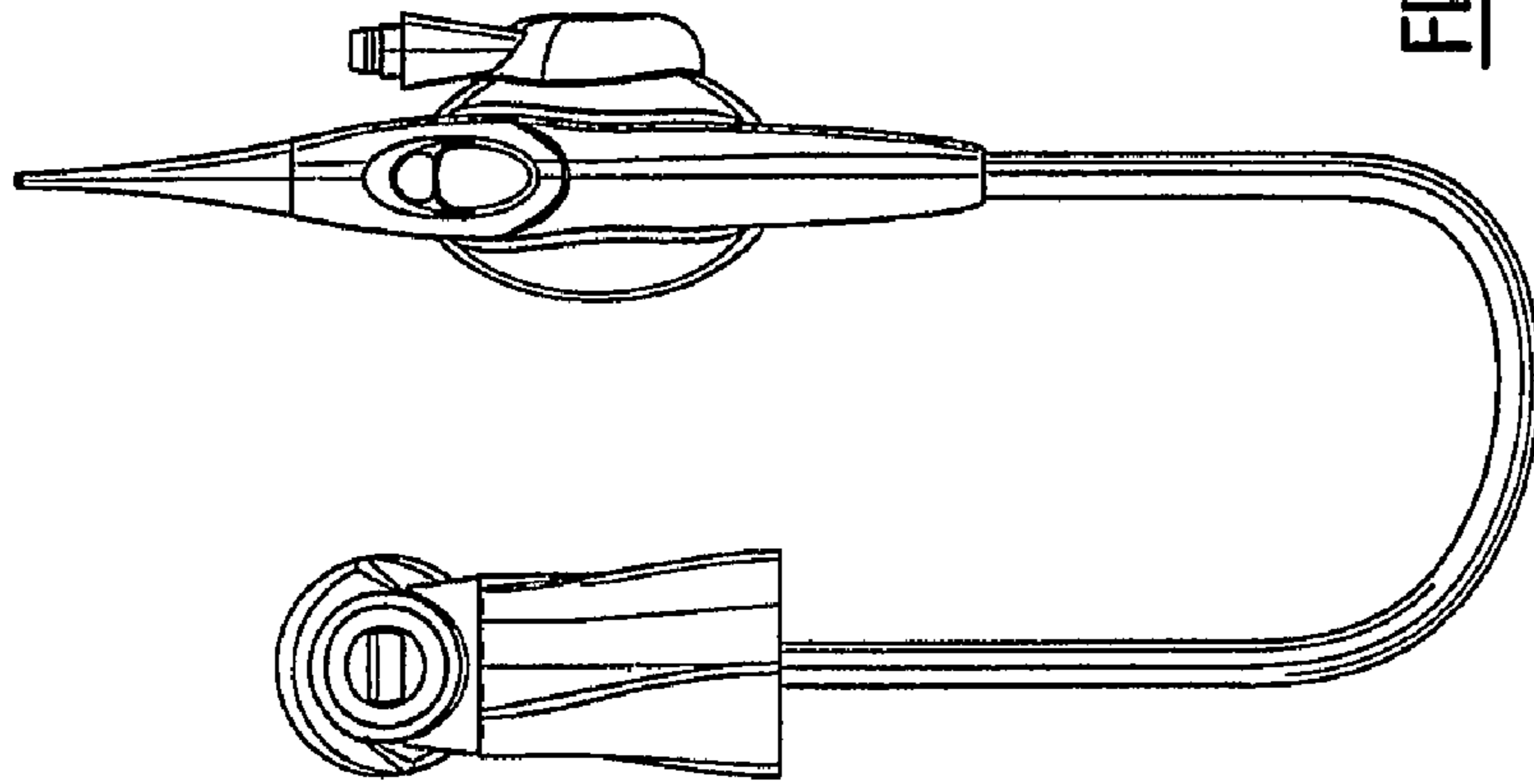


FIG. 8

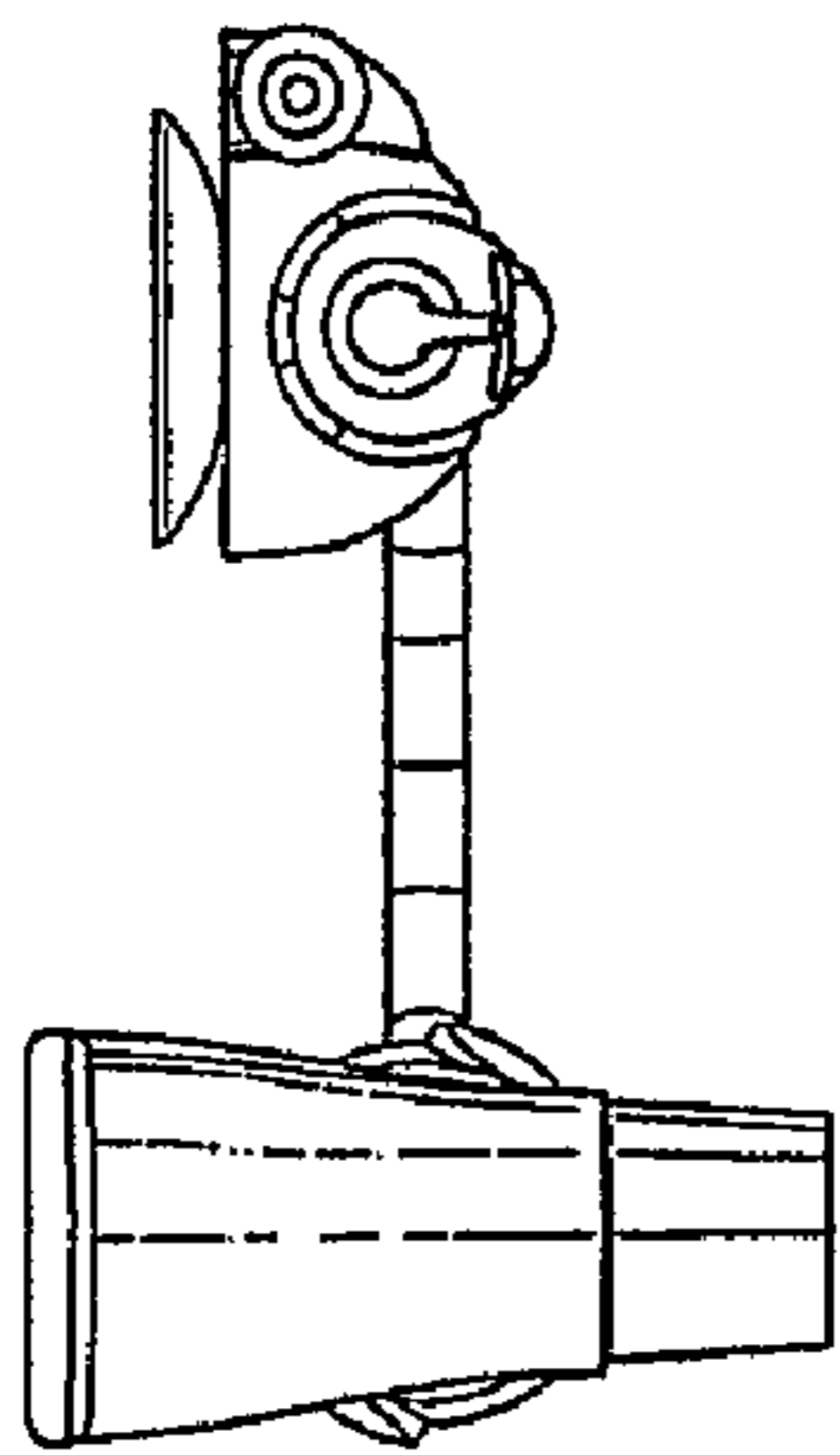


FIG. 6

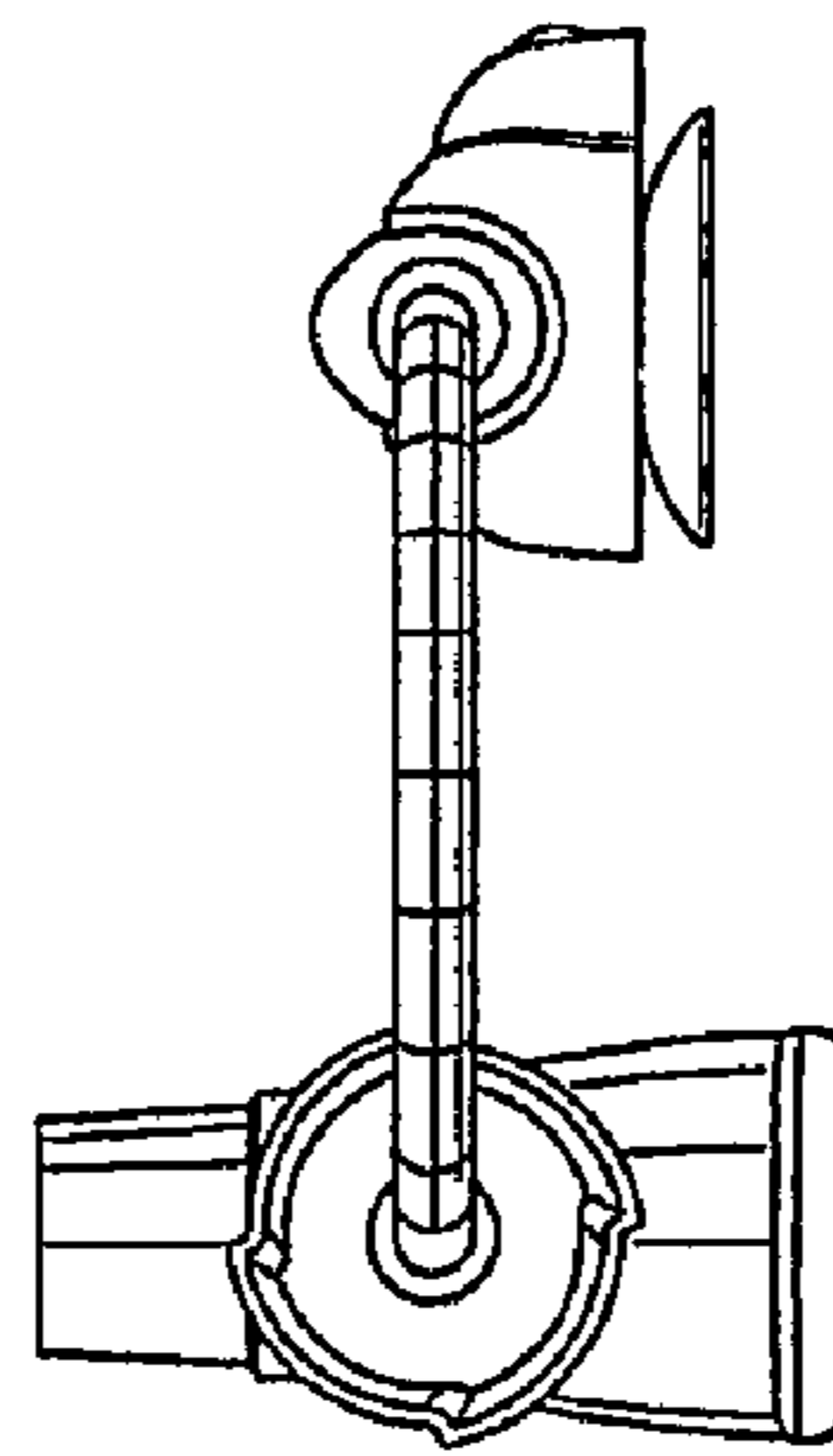


FIG. 7