



US00D539418S

(12) **United States Design Patent** (10) **Patent No.:** **US D539,418 S**
Jones et al. (45) **Date of Patent:** **** Mar. 27, 2007**

(54) **NASAL MASK**

D519,206 S * 4/2006 Jones et al. D24/110.1
2003/0089373 A1 5/2003 Gradon et al.

(75) Inventors: **Michael Andrew Jones**, Dundas (AU);
Amal Shirley Amarasinghe, Beecroft
(AU); **Timothy Tsun-Fai Fu**,
Carlingford (AU); **Perry David**
Lithgow, Glenwood (AU); **Jim Saada**,
Kellyville (AU); **Fiachra Marcus**
Sweeney, North Bondi (AU)

FOREIGN PATENT DOCUMENTS

EP 1 057 494 12/2000

OTHER PUBLICATIONS

U.S. Appl. No. 29/202,128, filed Mar. 2004, Jones et al.
U.S. Appl. No. 29/180,914, filed May 2003, Jones et al.

(73) Assignee: **ResMed Limited**, Bella Vista (AU)

* cited by examiner

(**) Term: **14 Years**

Primary Examiner—Antoine D. Davis

Assistant Examiner—Christopher Lee

(21) Appl. No.: **29/228,101**

(74) *Attorney, Agent, or Firm*—Nixon & Vanderhye P.C.

(22) Filed: **Apr. 20, 2005**

(57) **CLAIM**

(51) **LOC (8) Cl.** **29-02**

The ornamental design for a nasal mask, as shown and described.

(52) **U.S. Cl.** **D24/110.1**; D24/110.4;
D24/110.5

DESCRIPTION

(58) **Field of Classification Search** D24/110.4,
D24/110.1, 110.5, 164; 128/207.13, 204.12,
128/206.18, 206.28, 206.24

FIG. 1 is a perspective view of a nasal mask according to our design;

See application file for complete search history.

FIG. 2 is a front view thereof;

FIG. 3 is a rear view thereof;

FIG. 4 is a right side view thereof;

FIG. 5 is a left side view thereof;

FIG. 6 is a top view thereof; and,

FIG. 7 is a bottom view thereof.

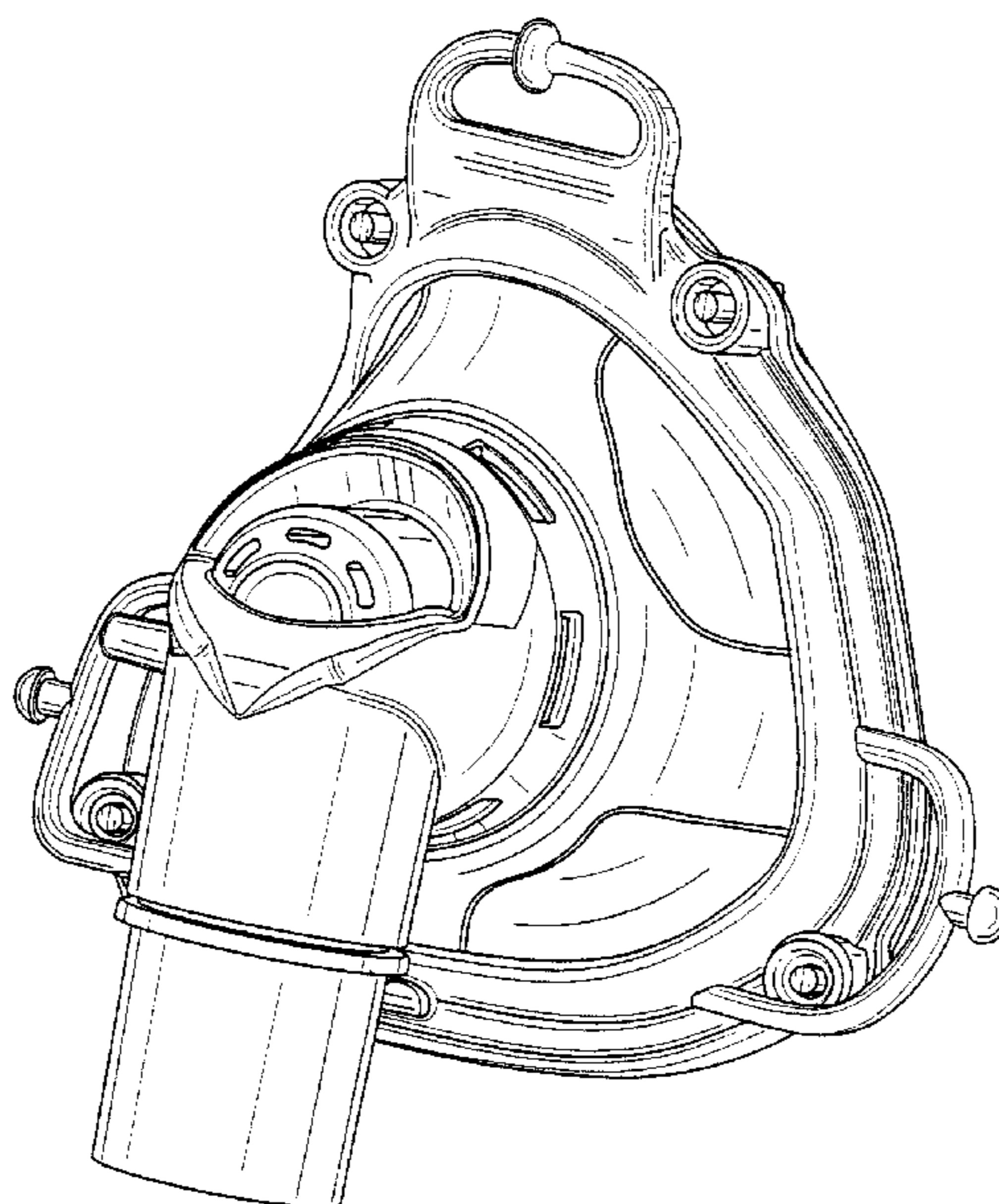
Throughout the various figures of the drawings, certain views may not be provided. The omission of a particular view is intended to convey that the element(s) depicted is/are plain and unornamented in that omitted view, or that the particular ornamental appearance in that view is simply not claimed.

(56) **References Cited**

U.S. PATENT DOCUMENTS

4,960,121	A	10/1990	Nelson et al.	
D322,318	S	12/1991	Sullivan	
D333,015	S	2/1993	Farmer et al.	
D385,960	S	11/1997	Rudolph	
5,746,201	A	5/1998	Kidd	
D448,473	S	9/2001	Barnett et al.	
D468,823	S	1/2003	Smart	
D485,905	S	1/2004	Moore et al.	
D486,226	S	2/2004	Guney et al.	
D506,827	S	* 6/2005	Jones et al.	D24/110.1

1 Claim, 6 Drawing Sheets



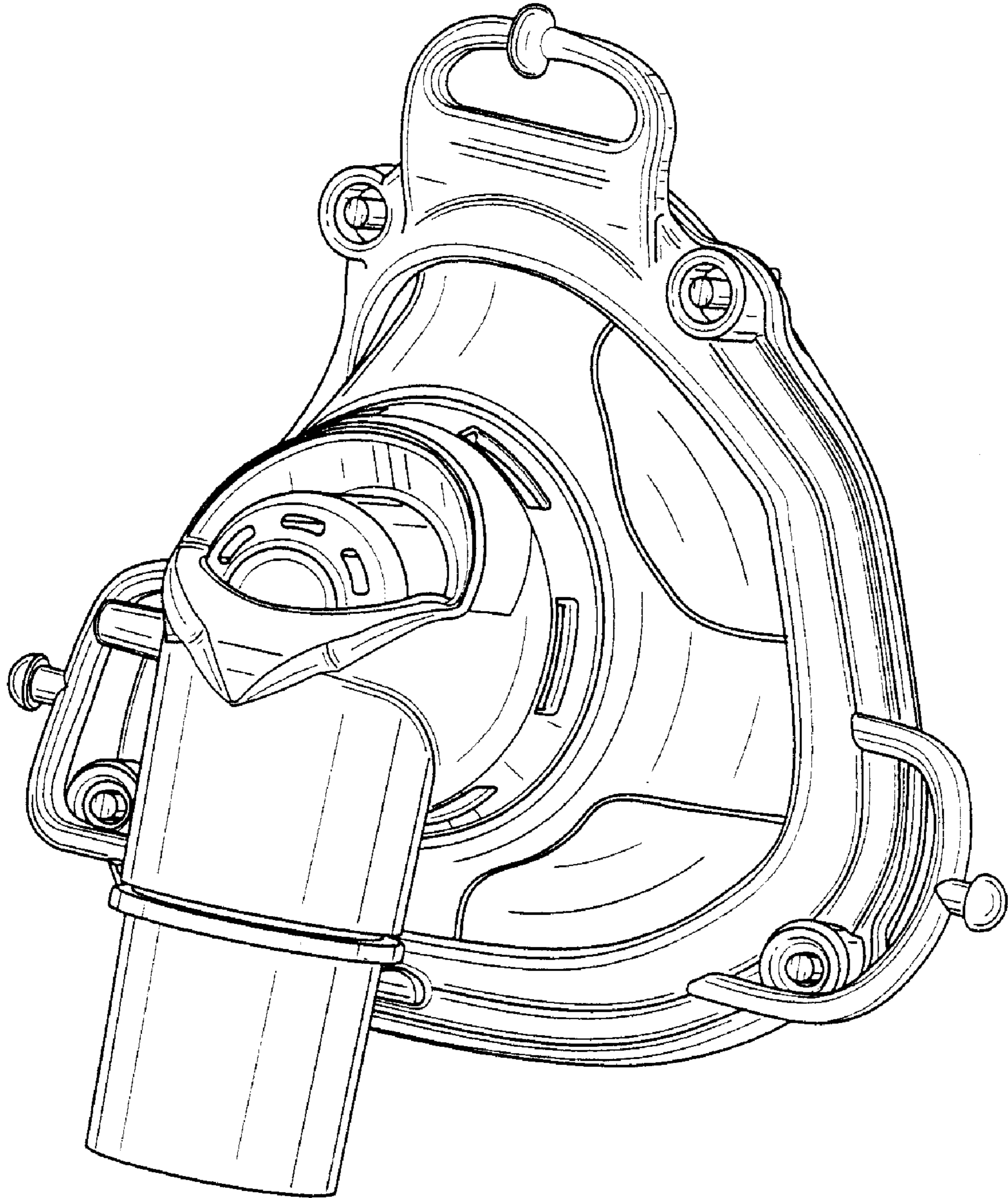


Fig. 1

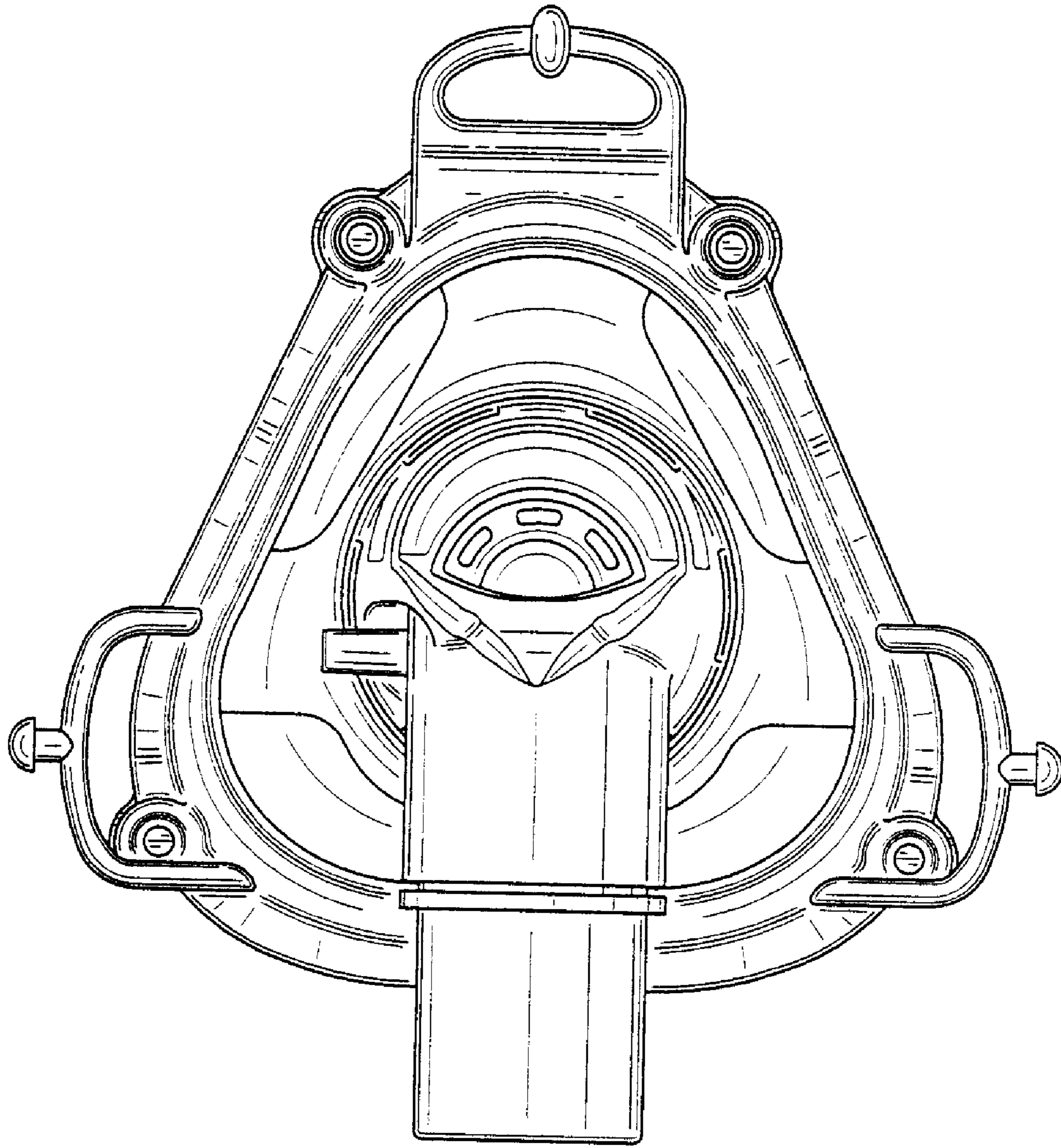


Fig. 2

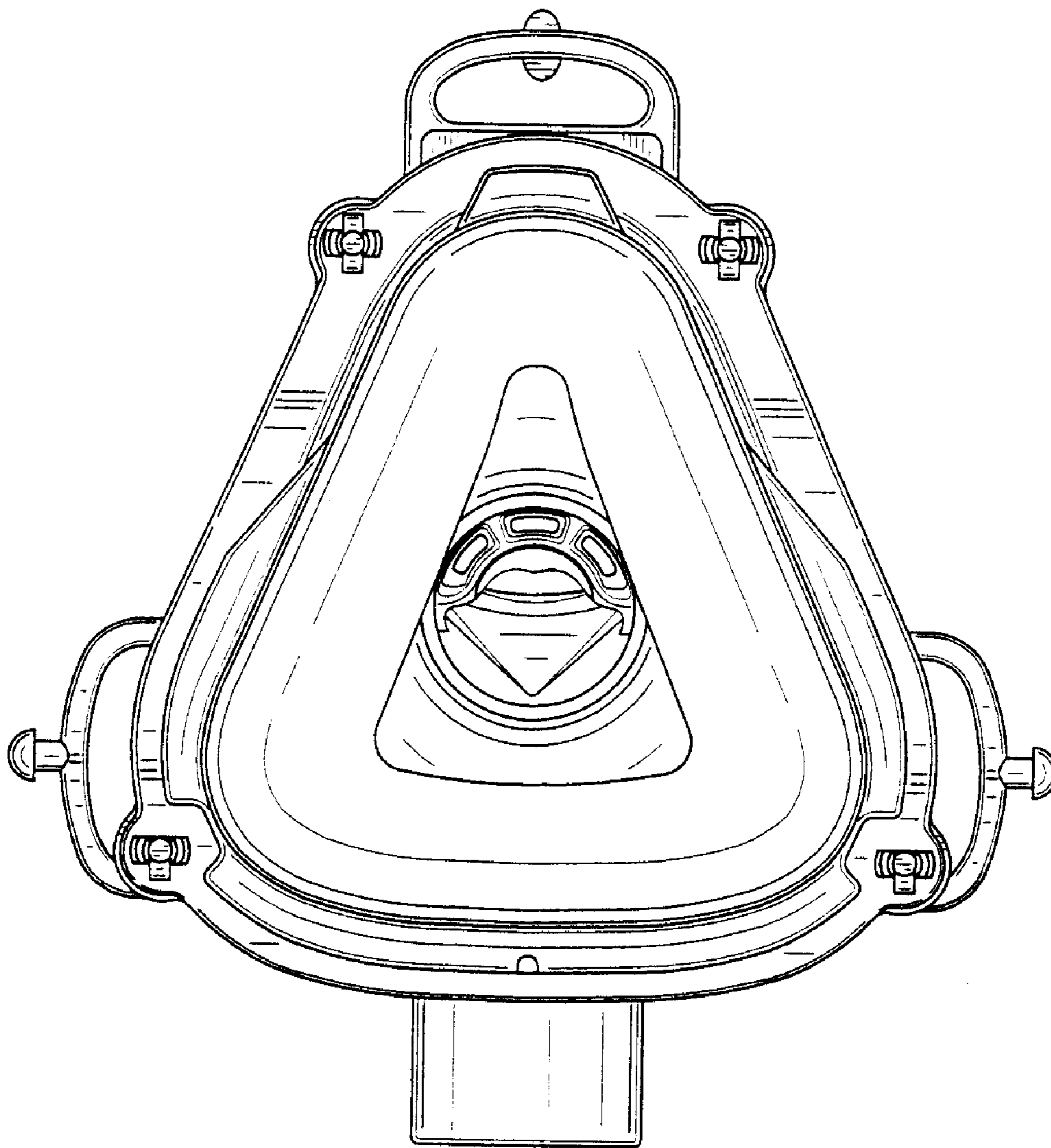


Fig. 3

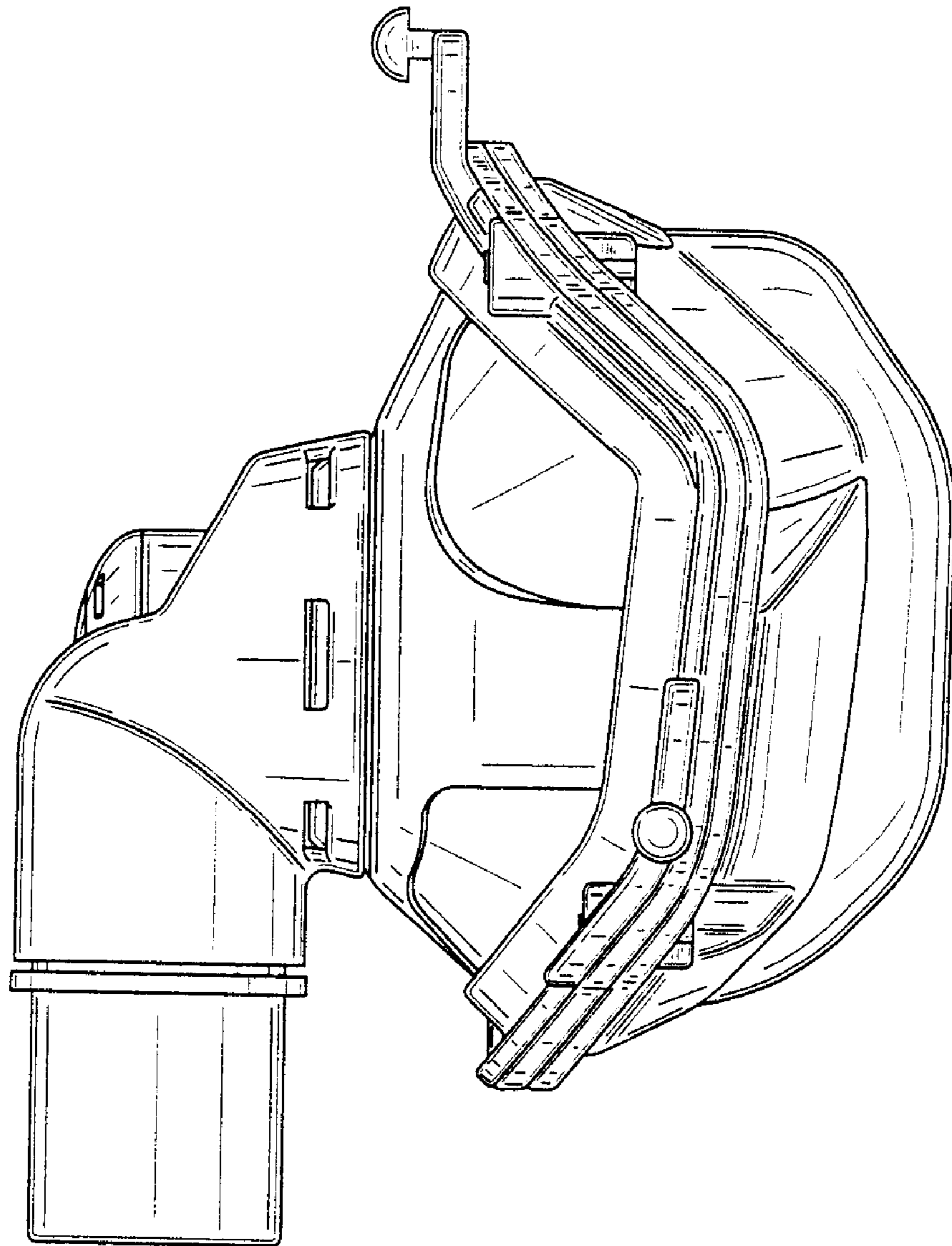


Fig. 4

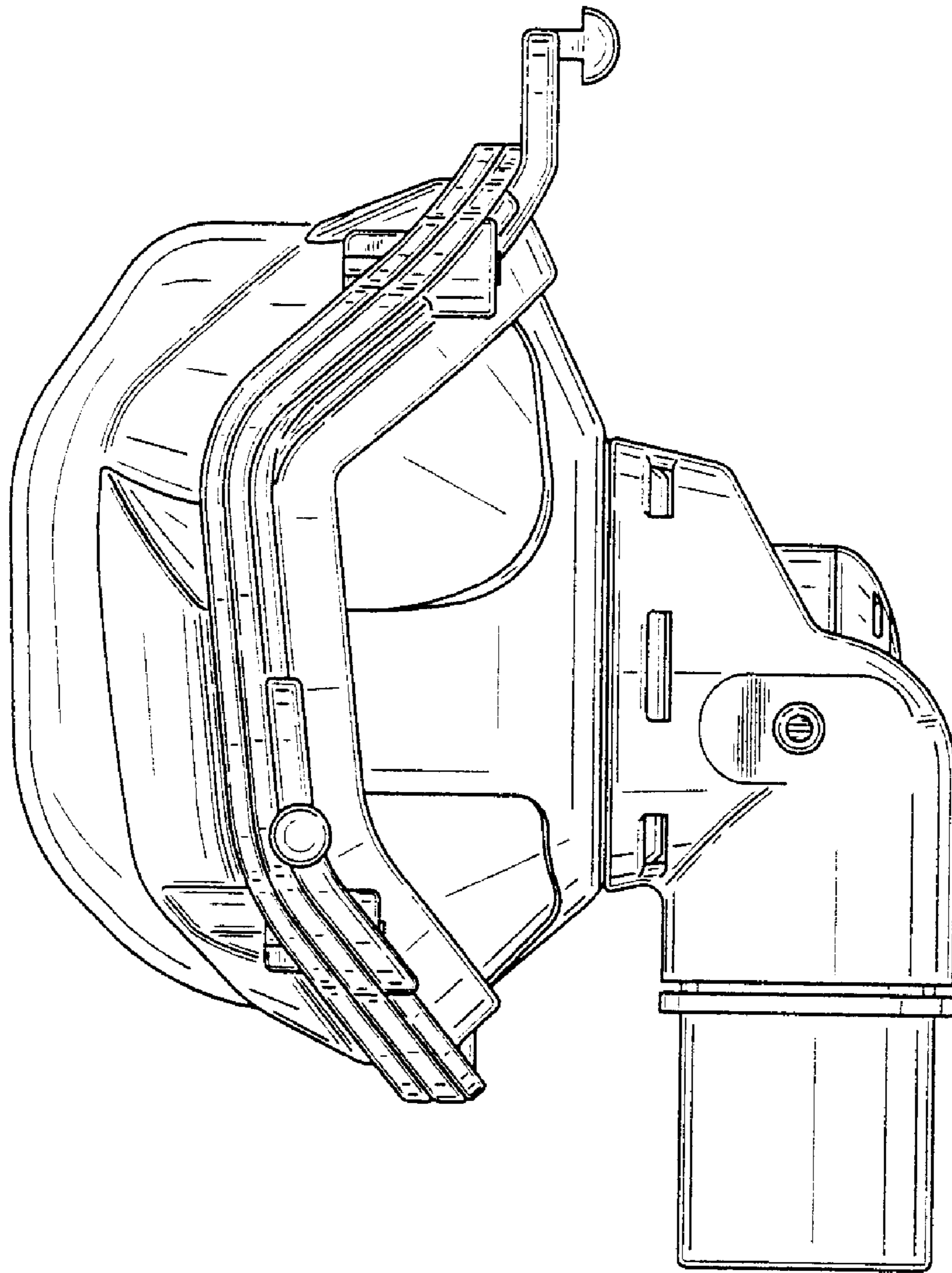


Fig. 5

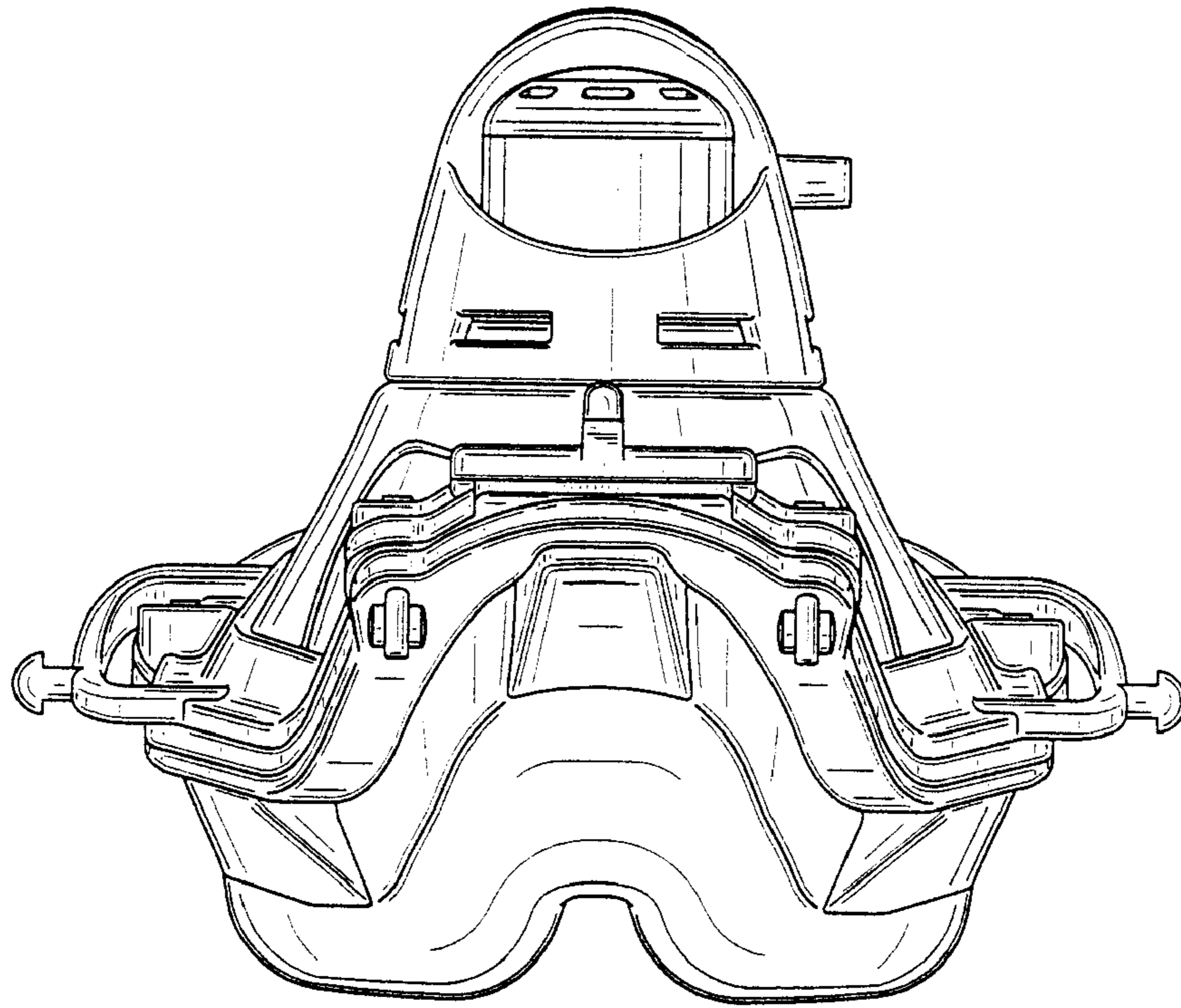


Fig. 6

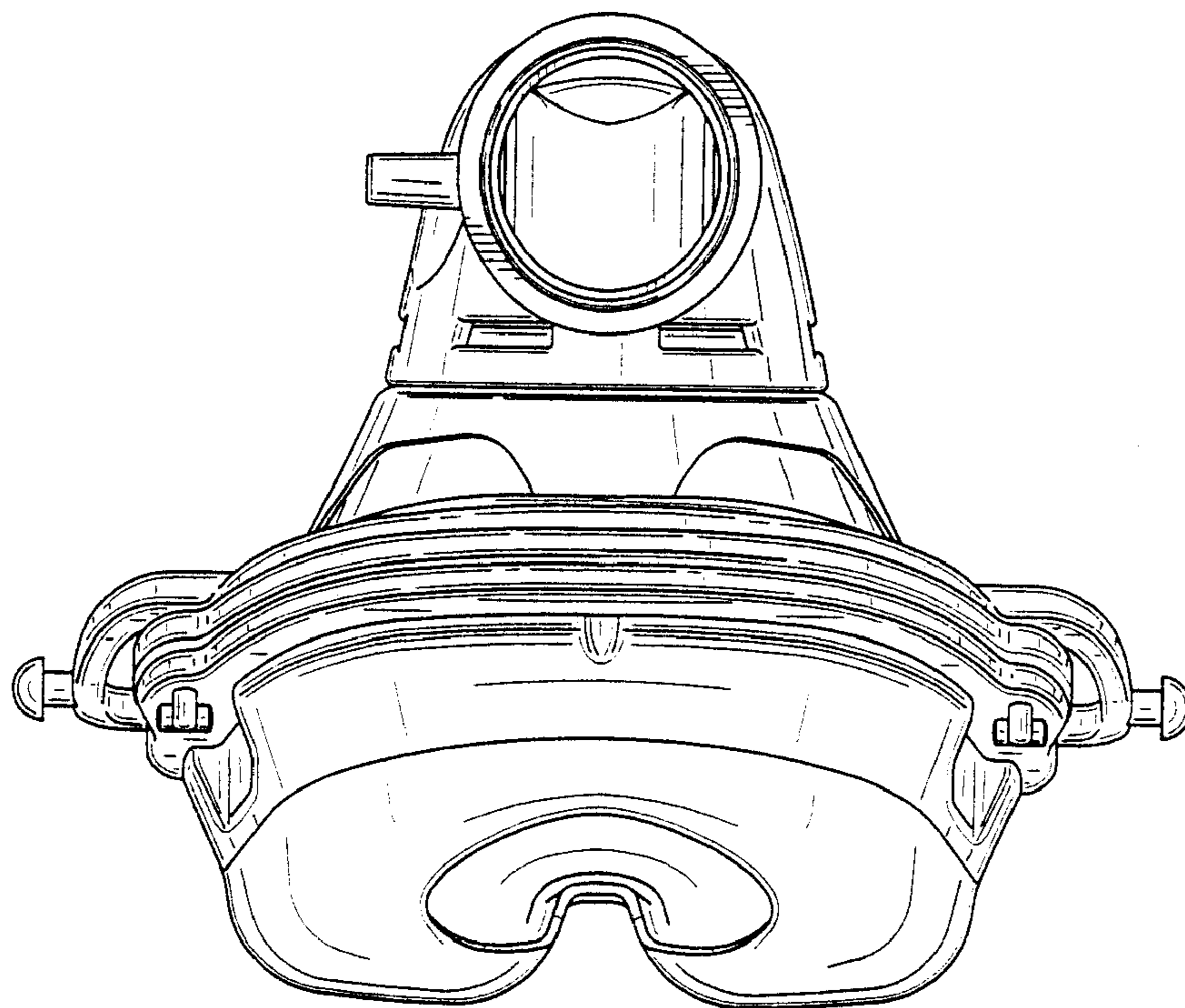


Fig. 7