



US00D539417S

(12) **United States Design Patent**
Cimino

(10) **Patent No.:** **US D539,417 S**

(45) **Date of Patent:** **** Mar. 27, 2007**

(54) **ASPIRATION CANISTER**

(75) Inventor: **William W. Cimino**, Louisville, CO
(US)

(73) Assignee: **Sound Surgical Technologies LLC**,
Louisville, CO (US)

(**) Term: **14 Years**

(21) Appl. No.: **29/205,434**

(22) Filed: **May 14, 2004**

(51) **LOC (8) Cl.** **24-01**

(52) **U.S. Cl.** **D24/108; D24/121; D24/224**

(58) **Field of Classification Search** D24/108,
D24/115, 121, 224, 229; 604/4.01, 6.11, 73,
604/317, 319-322, 615; 137/205; 128/200.14
See application file for complete search history.

(56) **References Cited**

U.S. PATENT DOCUMENTS

D213,292	S	*	2/1969	Arsensault	D24/121
D228,888	S	*	10/1973	Feldman	D9/451
D231,031	S	*	3/1974	Hinnenkamp	D24/144
3,811,485	A	*	5/1974	Holbrook	141/59
4,335,730	A	*	6/1982	Griffin	600/573
4,706,720	A	*	11/1987	Pattison et al.	141/327
5,356,398	A	*	10/1994	Willis	604/321

D383,214	S	*	9/1997	Brennan	D24/224
D401,697	S	*	11/1998	Cloonan et al.	D24/224
5,944,703	A	*	8/1999	Dixon et al.	604/319
D425,618	S	*	5/2000	Niermann et al.	D24/122
6,155,987	A	*	12/2000	Scherl	600/562
6,171,261	B1	*	1/2001	Niermann et al.	600/573
D522,145	S	*	5/2006	Best et al.	D24/224
2004/0122383	A1	*	6/2004	Romano et al.	604/319
2005/0101922	A1	*	5/2005	Anderson et al.	604/317

* cited by examiner

Primary Examiner—Carol Rademaker

Assistant Examiner—Anna J. Burmeister

(74) *Attorney, Agent, or Firm*—Merchant & Gould P.C.

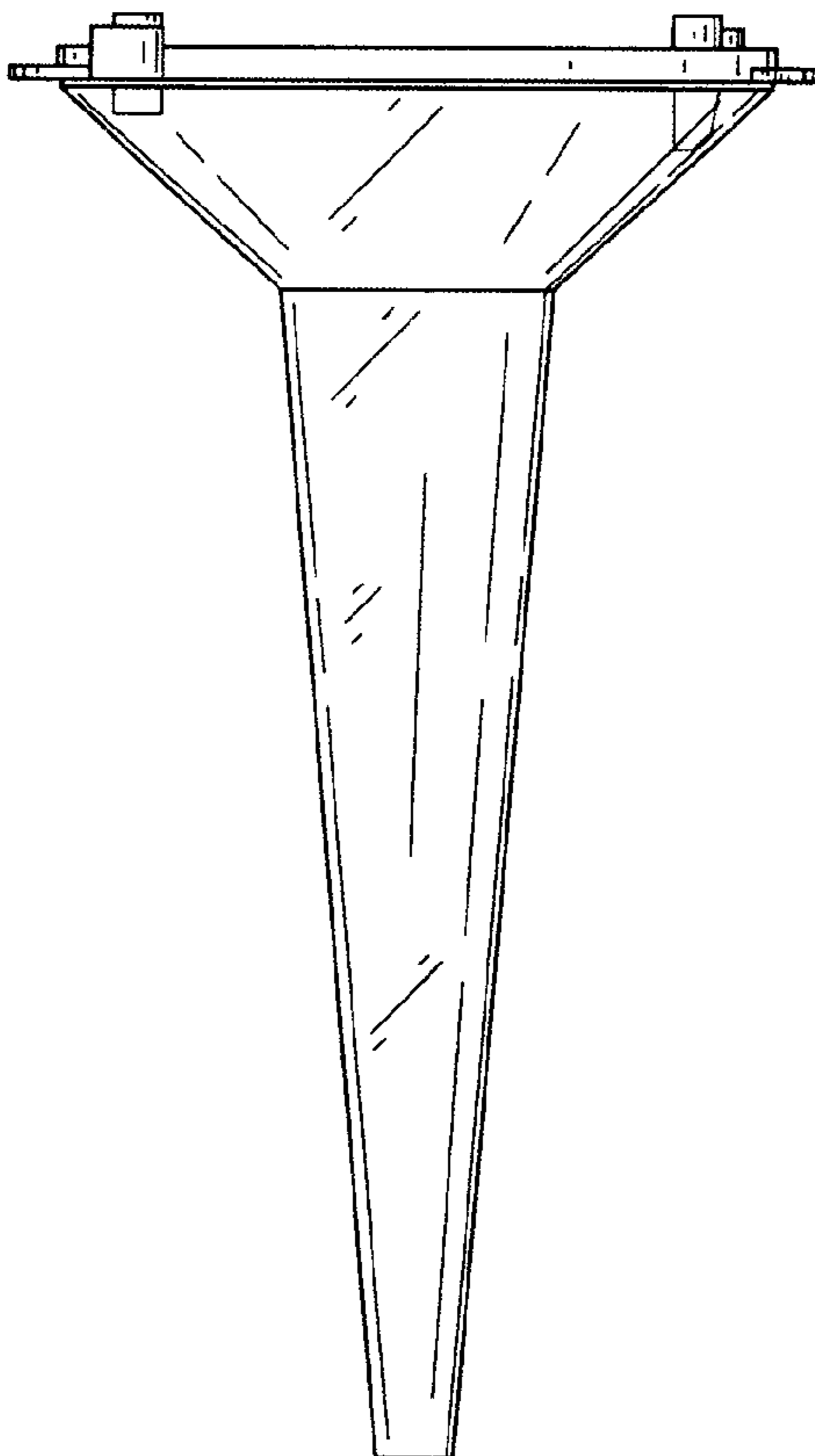
(57) **CLAIM**

The ornamental design for an aspiration canister, as shown and described.

DESCRIPTION

FIG. 1 is a perspective view of the aspiration canister showing my new design;
FIG. 2 is a front elevational view thereof;
FIG. 3 is a rear elevational view thereof;
FIG. 4 is a right side elevational view thereof;
FIG. 5 is a left side elevational view thereof;
FIG. 6 is a top plan view thereof; and,
FIG. 7 is a bottom plan view thereof.

1 Claim, 4 Drawing Sheets



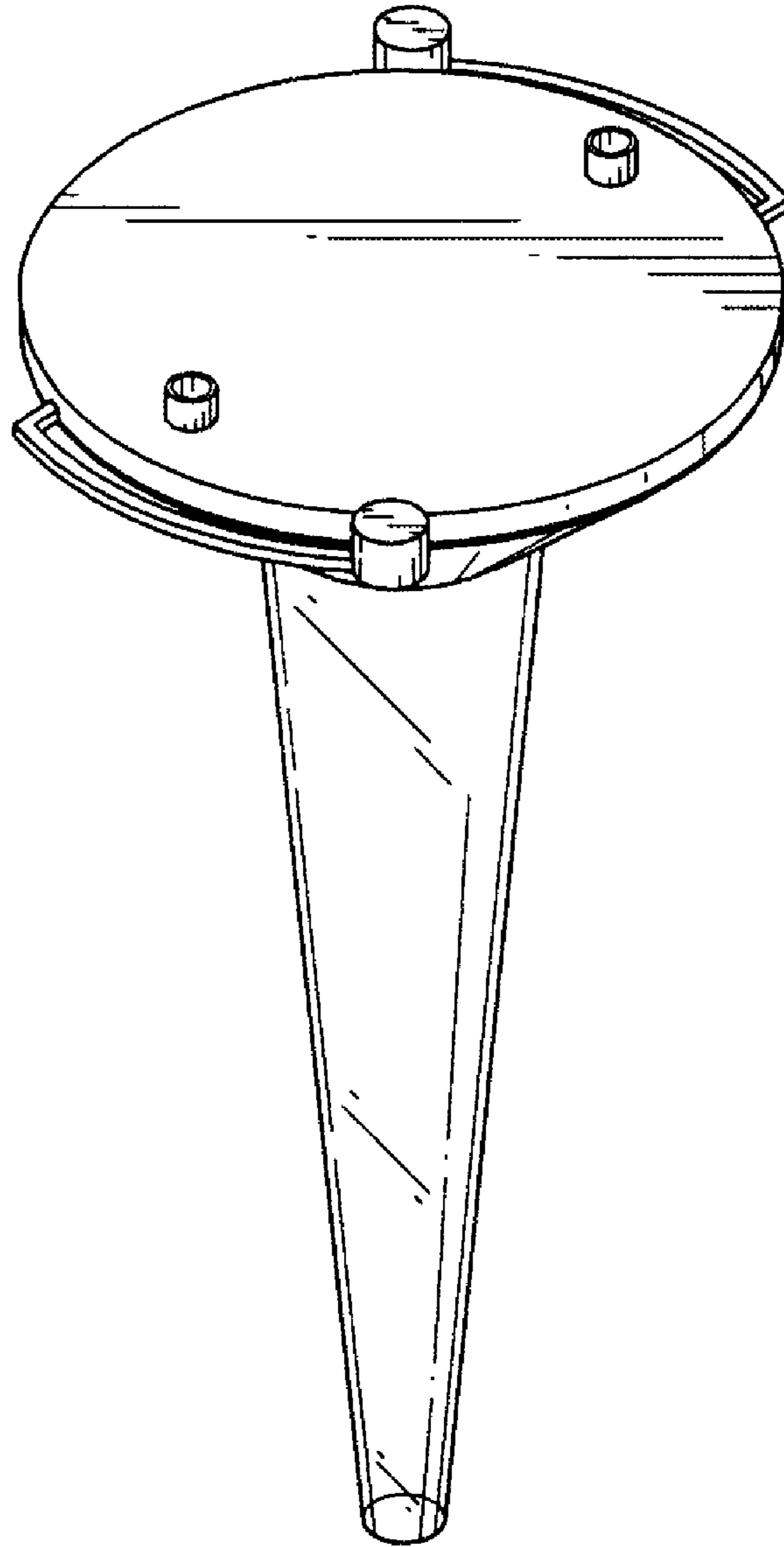


FIG. 1

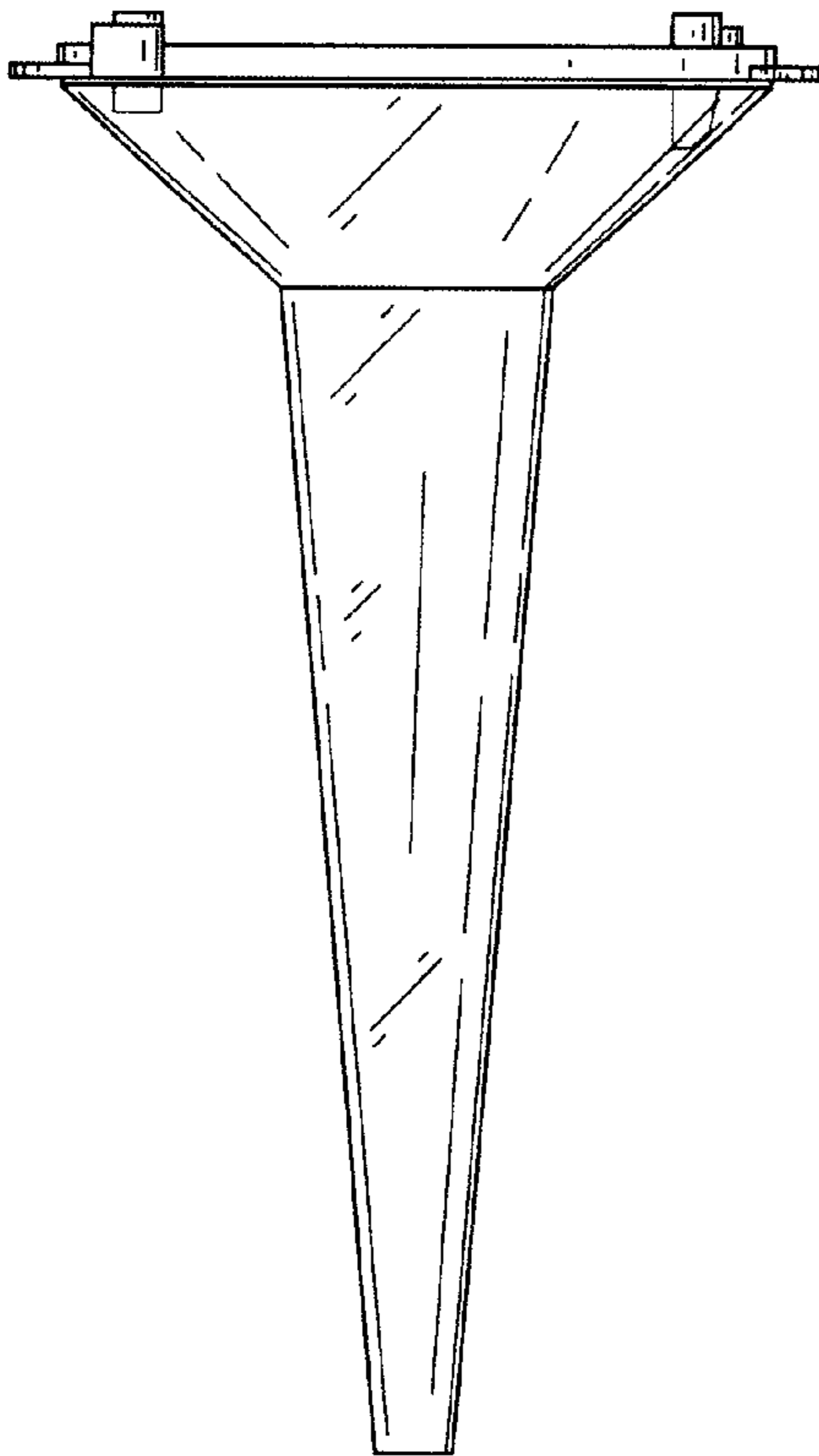


FIG. 2

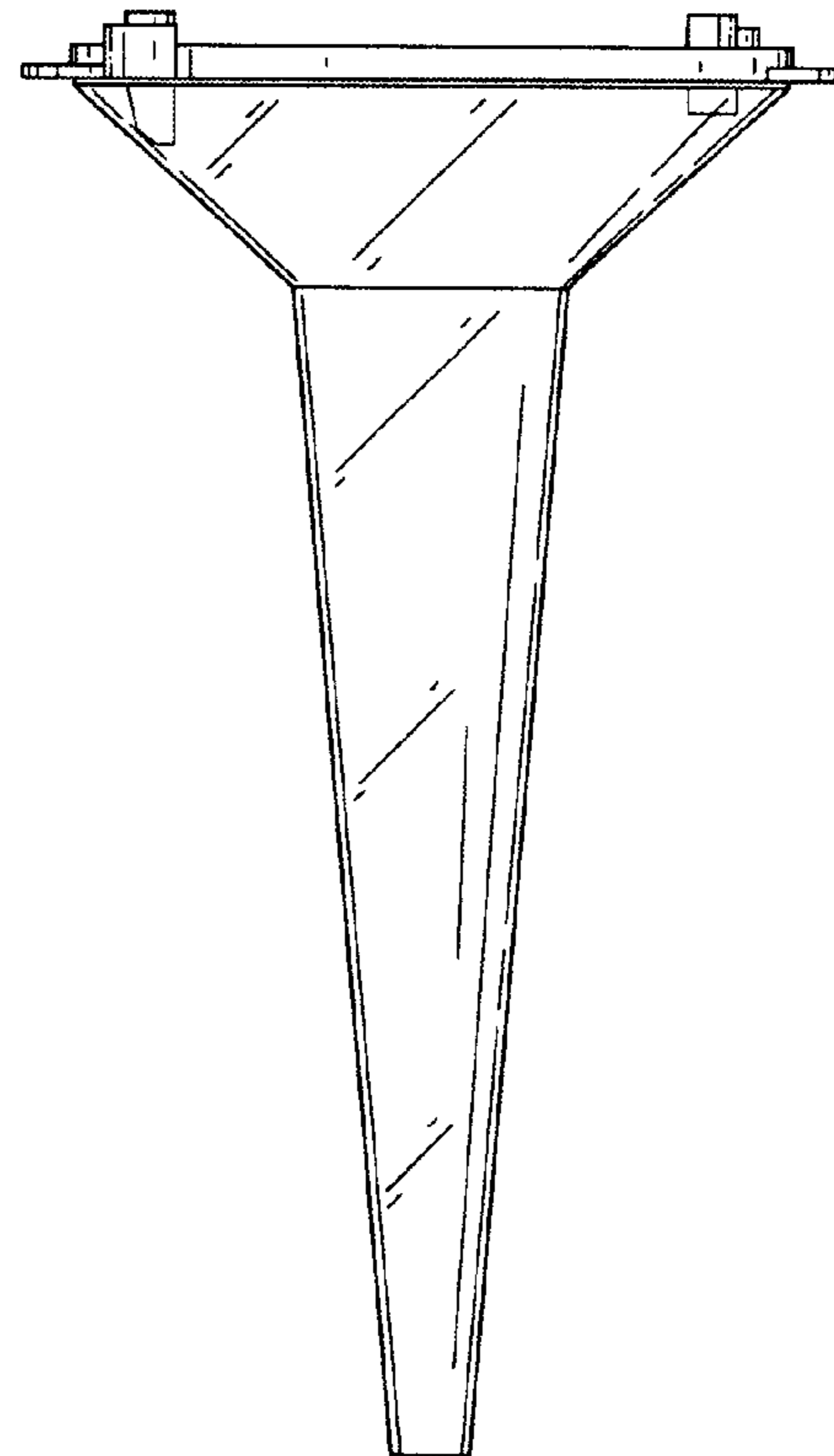


FIG. 3

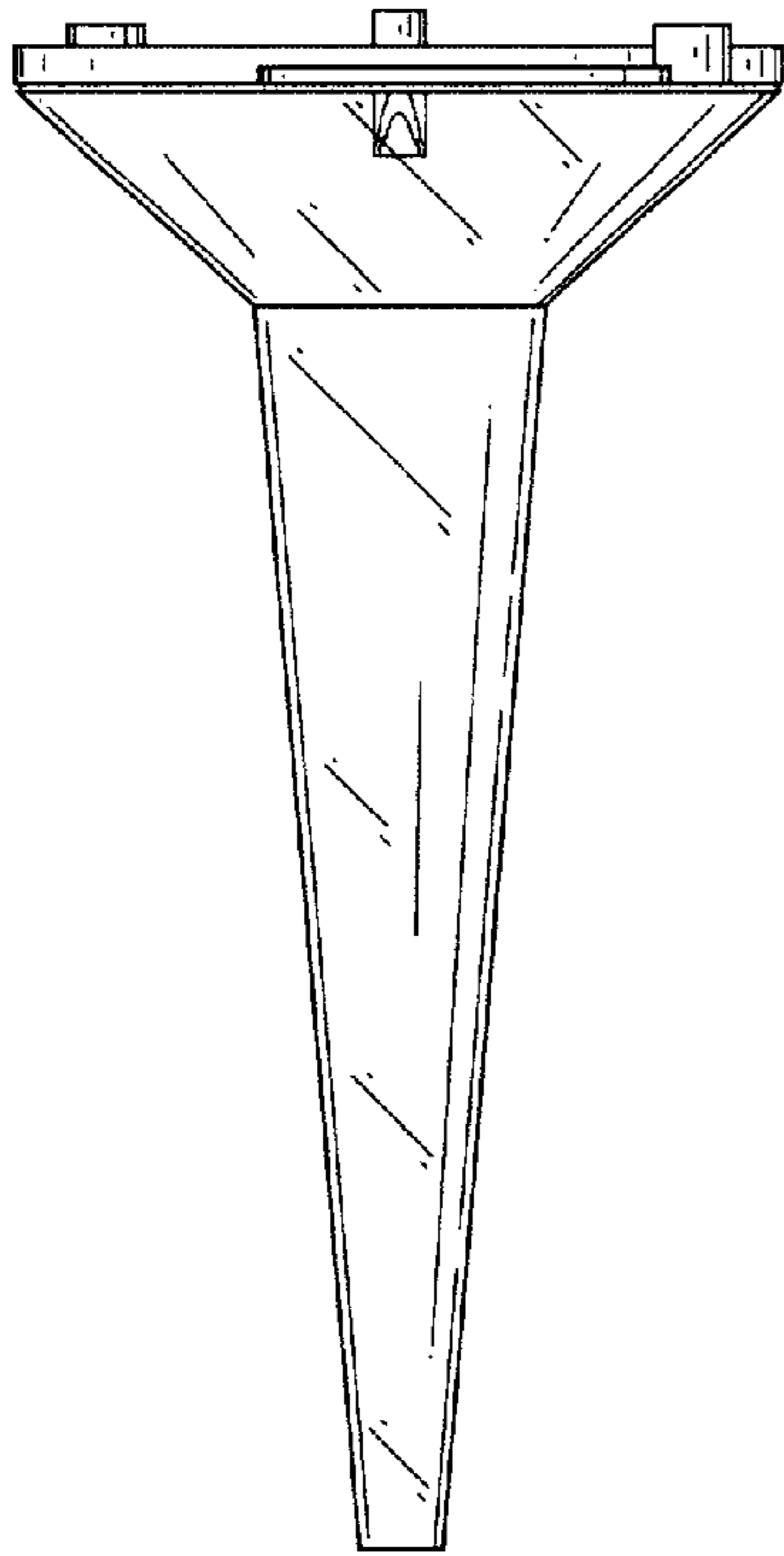


FIG.4

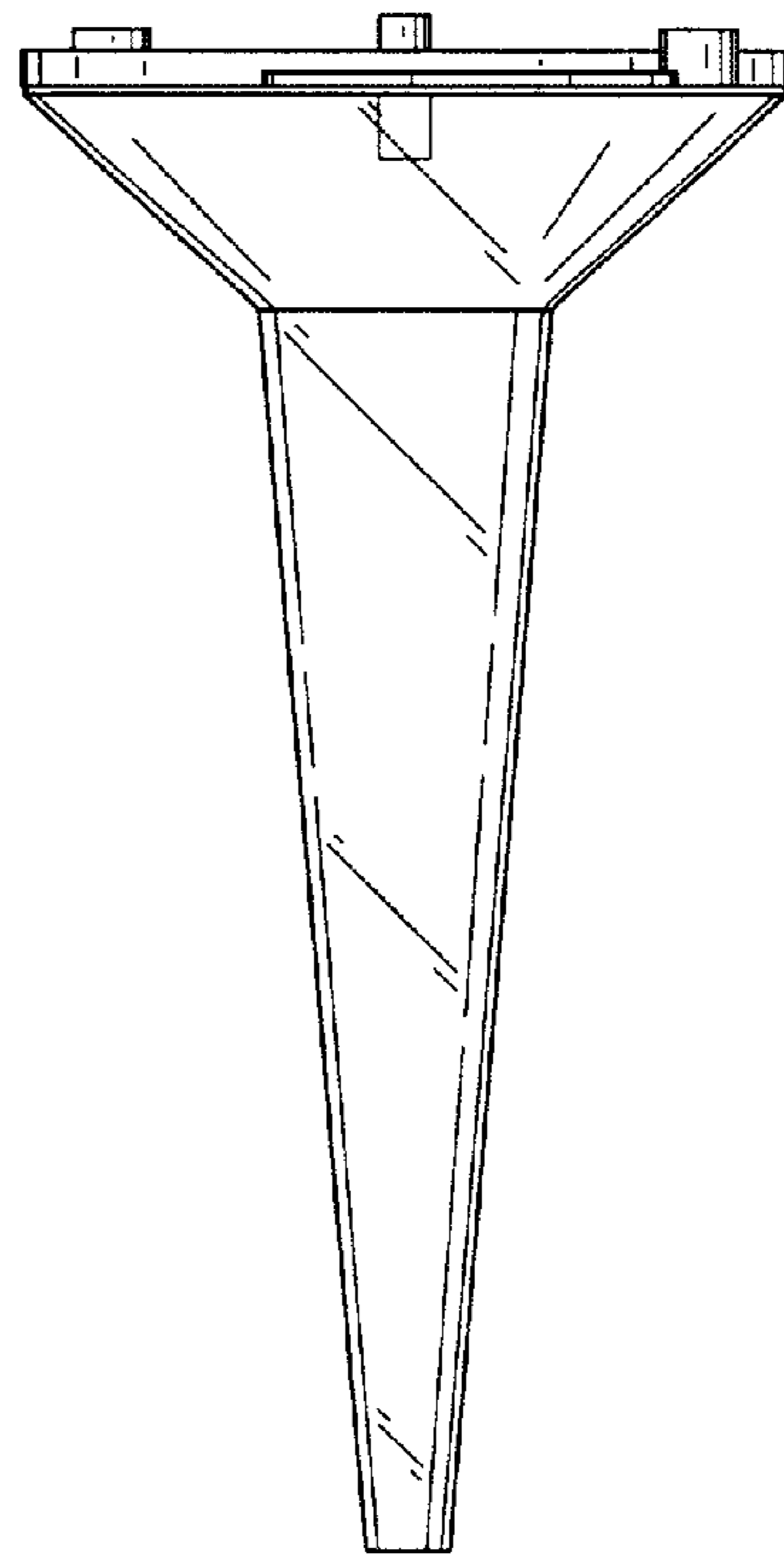


FIG.5

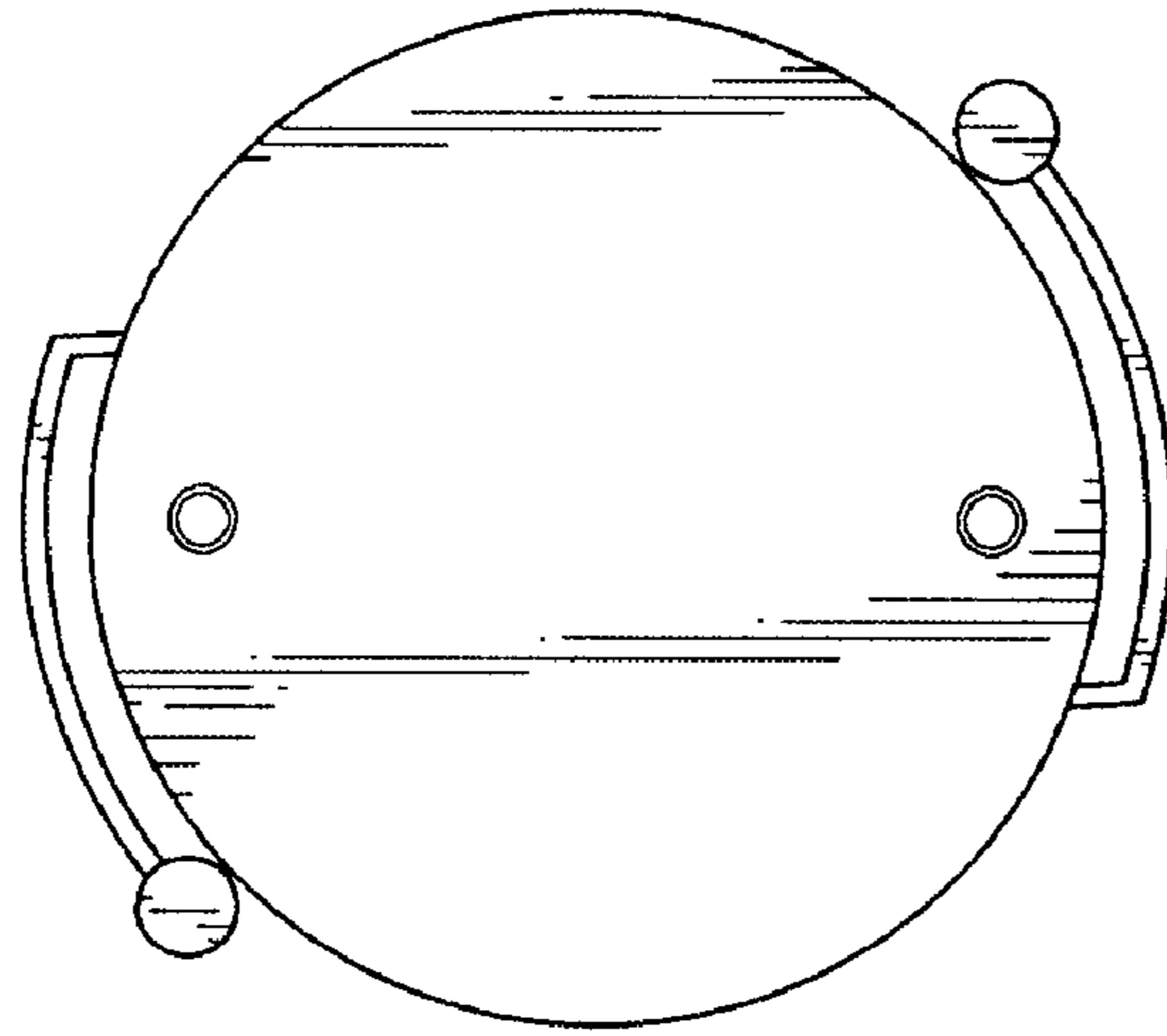


FIG. 6

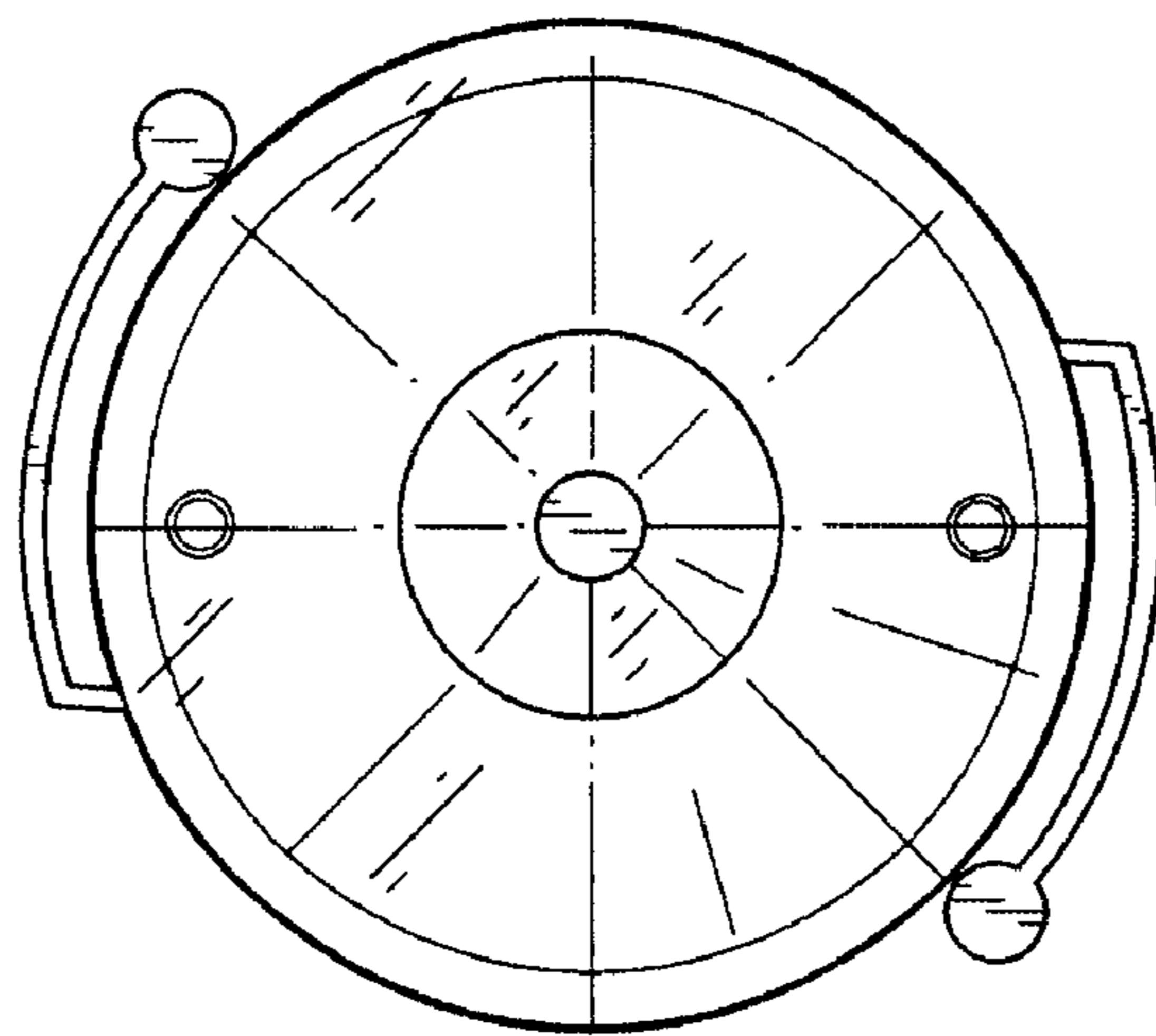


FIG. 7