



US00D539415S

(12) **United States Design Patent**
Fleming

(10) **Patent No.:** **US D539,415 S**

(45) **Date of Patent:** **** Mar. 27, 2007**

(54) **FLANGE EARPLUG**

(75) Inventor: **Thomas W. Fleming**, San Diego, CA (US)

(73) Assignee: **Howard Leight Industries, LLC**, San Diego, CA (US)

(**) Term: **14 Years**

(21) Appl. No.: **29/230,527**

(22) Filed: **May 23, 2005**

(51) **LOC (8) Cl.** **24-04**

(52) **U.S. Cl.** **D24/106; D24/106**

(58) **Field of Classification Search** D24/106;
181/129, 130, 135; 128/857, 864, 865, 866,
128/867

See application file for complete search history.

(56) **References Cited**

U.S. PATENT DOCUMENTS

D195,322 S * 5/1963 Hill D24/106
D239,416 S * 3/1976 Visor D24/106
4,936,411 A * 6/1990 Leonard 181/135

5,819,745 A * 10/1998 Mobley et al. 128/864
D493,219 S * 7/2004 Falco D24/106
D521,637 S * 5/2006 Yang D24/106
2004/0069310 A1 * 4/2004 Falco 128/864

OTHER PUBLICATIONS

Lab Safety Supply "Industrial Supplies Buye's Guide" (item NRR: 27dB, NRR: 26dB andNRR: 27dB) p. 73 @ 2000.*

* cited by examiner

Primary Examiner—Ian Simmons

Assistant Examiner—W. Laymon

(74) *Attorney, Agent, or Firm*—Leon D. Rosen

(57) **CLAIM**

The ornamental design for flange earplug, as shown and described.

DESCRIPTION

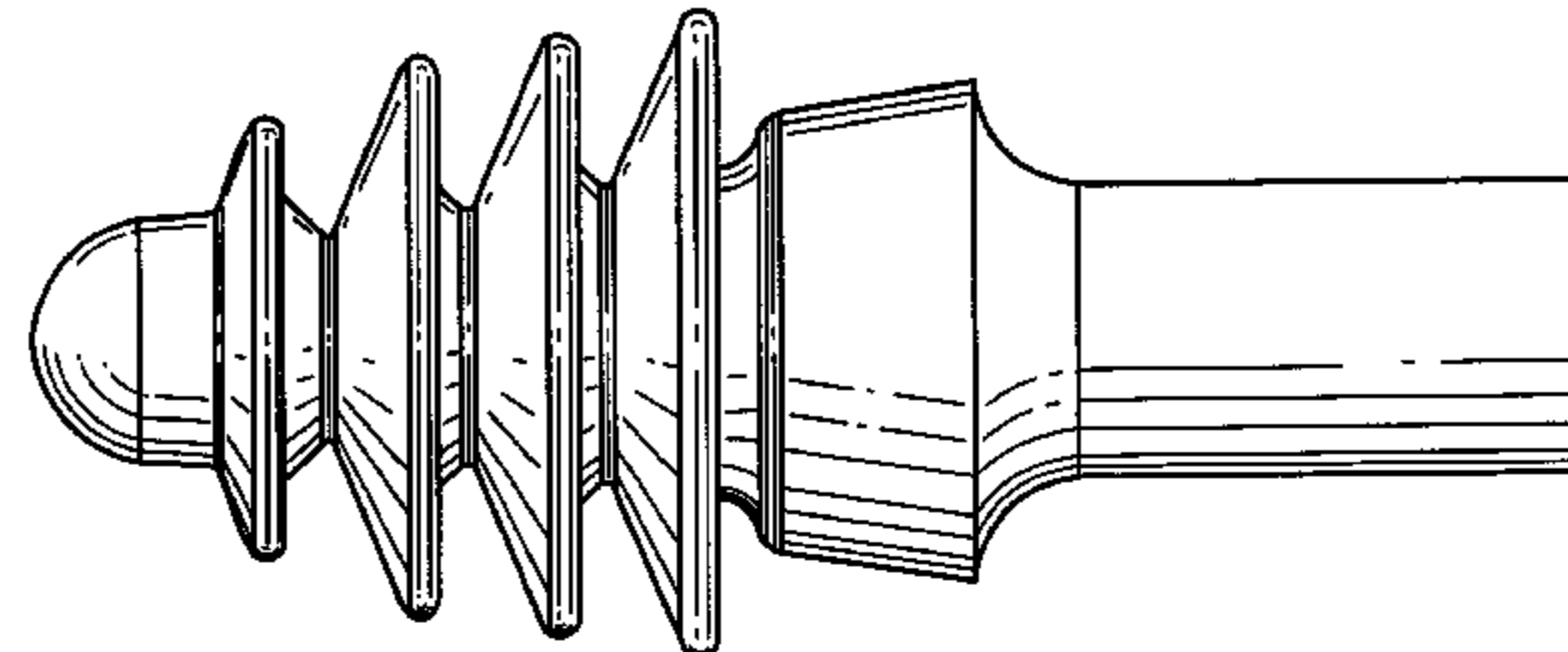
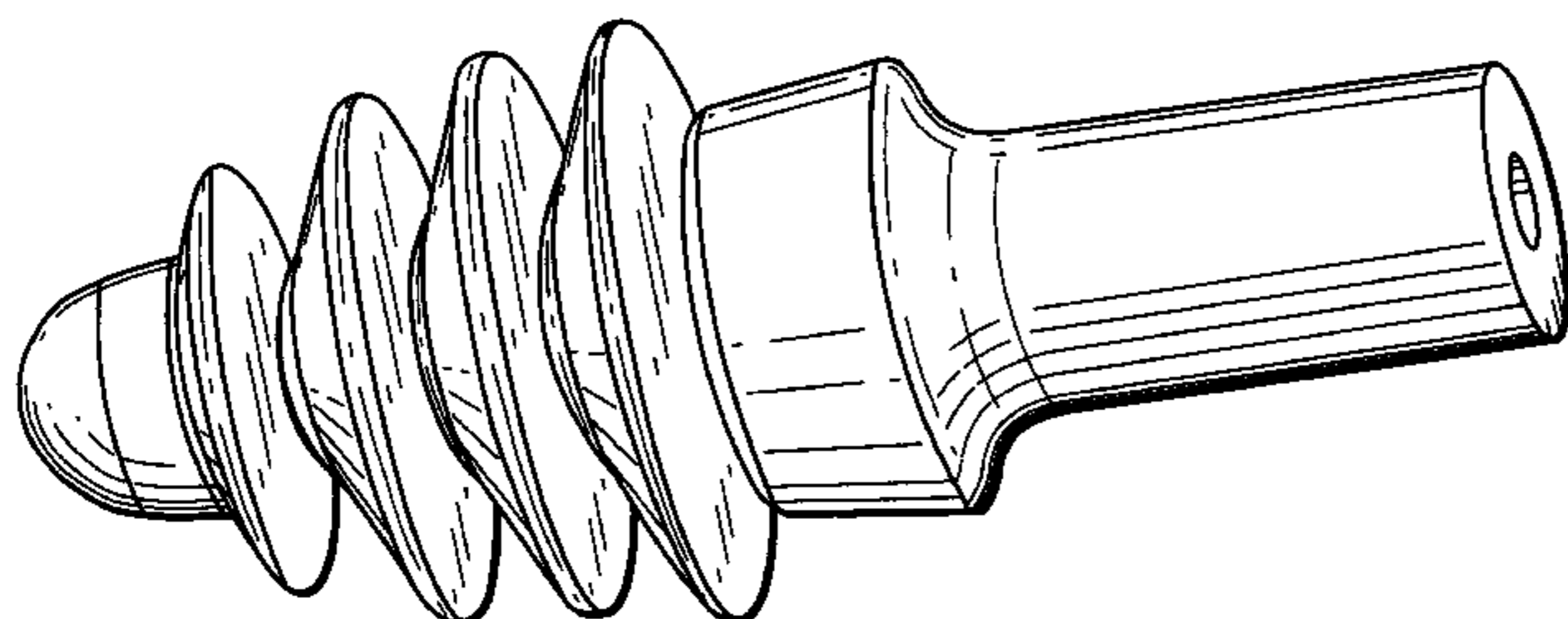
FIG. 1 is a rear isometric view of a flange earplug of the invention.

FIG. 2 is a left side elevation view thereof.

FIG. 3 is a front view thereof; and,

FIG. 4 is a rear view thereof.

1 Claim, 2 Drawing Sheets



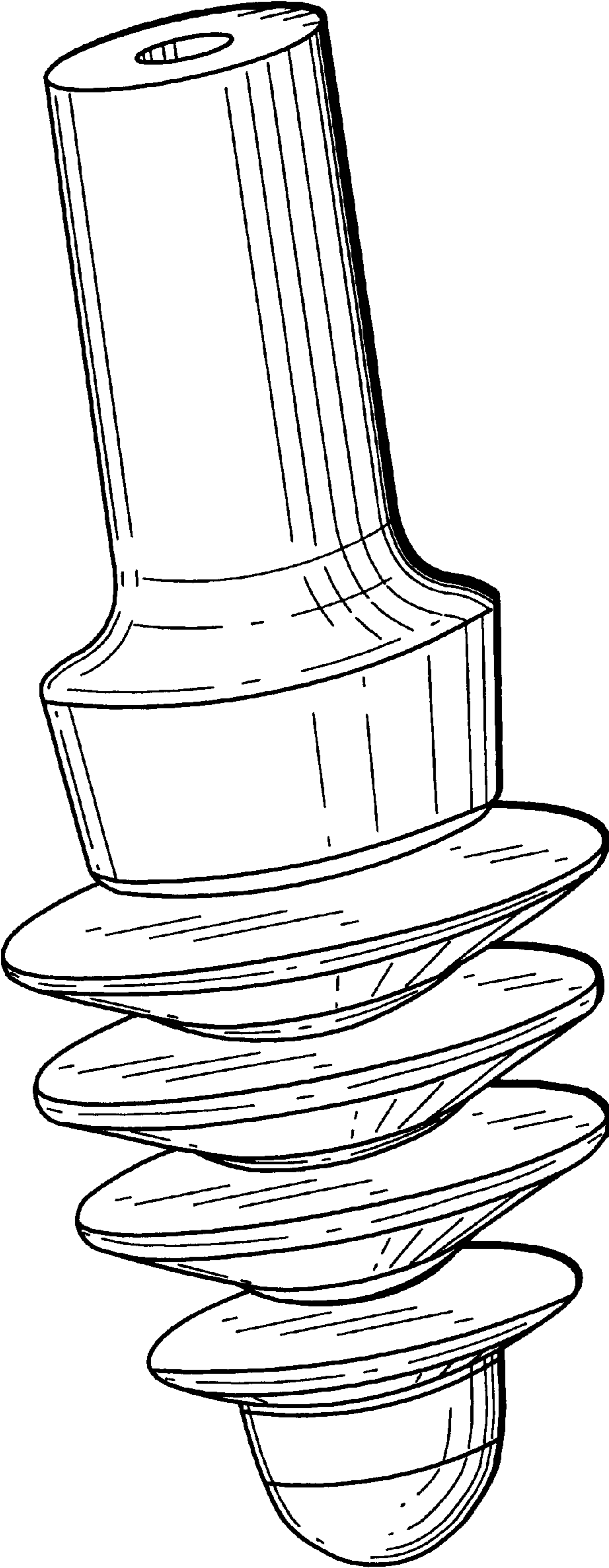


FIG. 1

FIG. 2

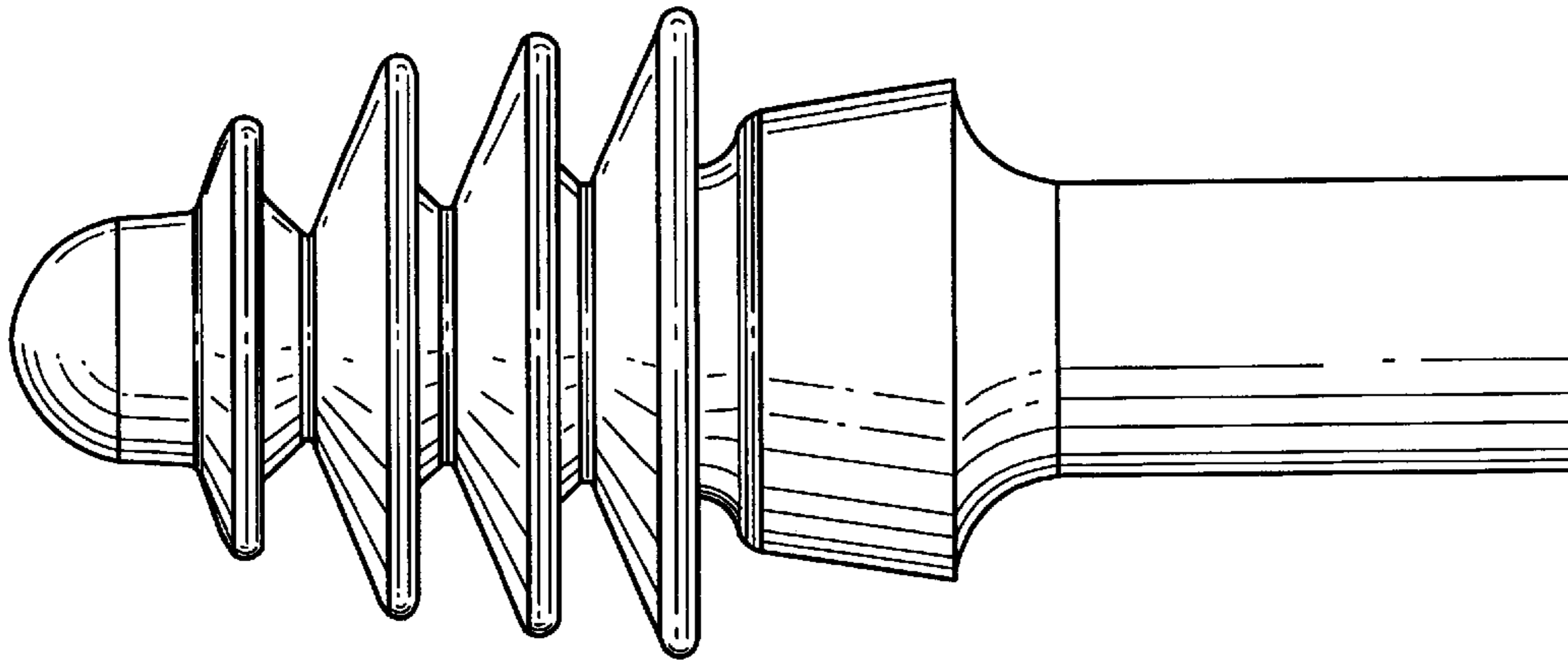


FIG. 3

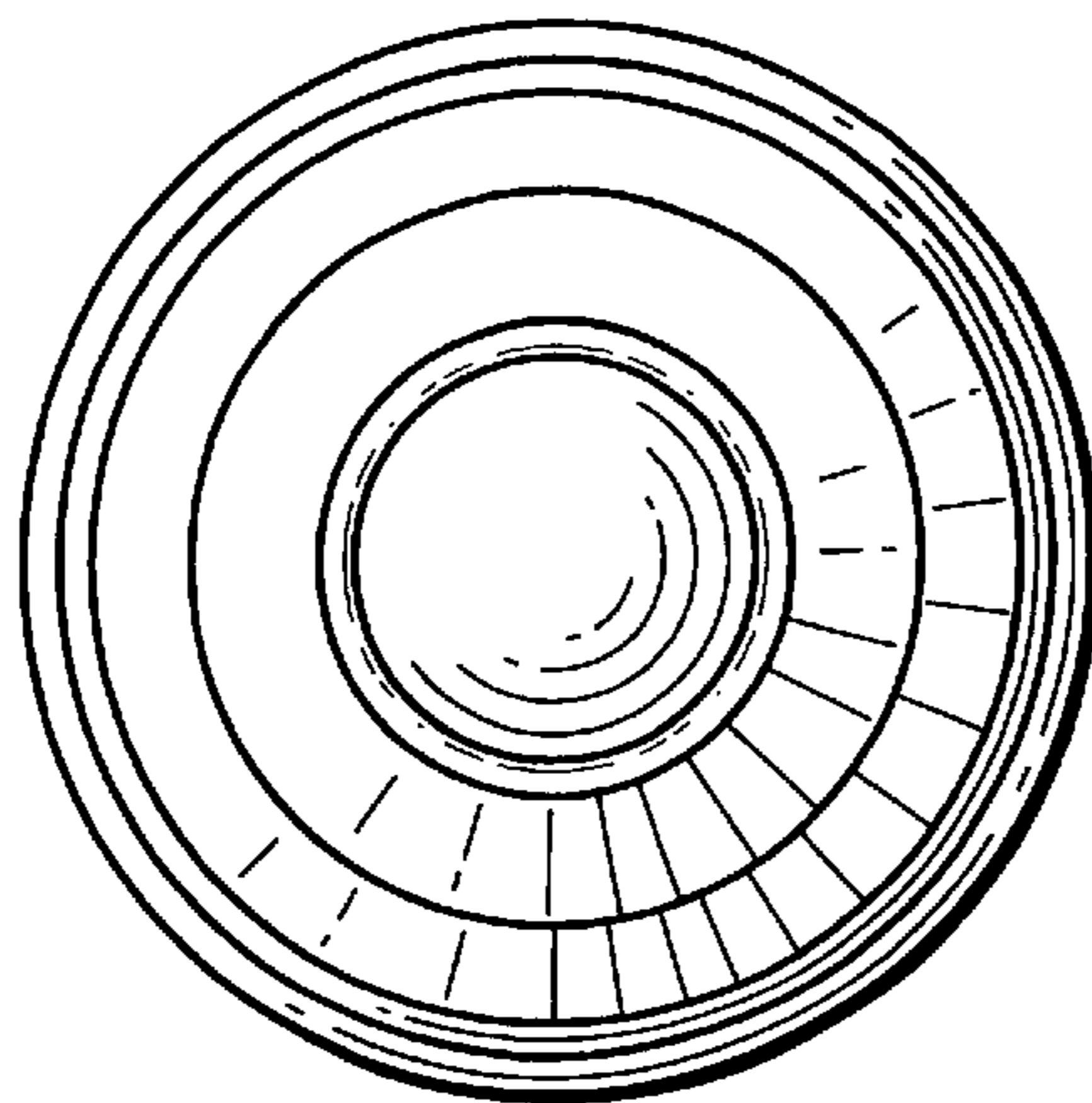


FIG. 4

