



US00D539412S

(12) **United States Design Patent**
Hills

(10) **Patent No.:** **US D539,412 S**

(45) **Date of Patent:** **** Mar. 27, 2007**

(54) **DECORATIVE FIREPLACE**

(75) Inventor: **Douglas Ernest Hills**, Cloverdale (CA)

(73) Assignee: **FPI Fireplace Products International Ltd.**, Delta (CA)

(**) Term: **14 Years**

(21) Appl. No.: **29/246,059**

(22) Filed: **Jan. 18, 2006**

| | | | |
|------------|-----------|-------------|---------------|
| D301,736 S | 6/1989 | Heger | |
| D301,924 S | 6/1989 | Craver | |
| D311,574 S | 10/1990 | Syme et al. | |
| D320,849 S | * 10/1991 | Ehmke | D23/405 |
| D344,329 S | 2/1994 | Patel | |
| D345,012 S | 3/1994 | Patel | |
| D362,301 S | * 9/1995 | Kahonen | D23/405 |
| D464,421 S | 10/2002 | Caldwell | |
| D464,422 S | 10/2002 | Caldwell | |
| D465,023 S | 10/2002 | Caldwell | |
| D489,807 S | 5/2004 | Rumens | |
| D499,681 S | 12/2004 | Boyer | |
| D507,346 S | 7/2005 | Rumens | |

Related U.S. Application Data

(63) Continuation of application No. 29/209,503, filed on Jul. 16, 2004, now Pat. No. Des. 526,403.

(51) **LOC (8) Cl.** **23-04**

(52) **U.S. Cl.** **D23/405**

(58) **Field of Classification Search** None
See application file for complete search history.

* cited by examiner

Primary Examiner—Sandra S. Snapp

(74) *Attorney, Agent, or Firm*—Snell & Wilmer L.L.P.

(57) **CLAIM**

The ornamental design for the decorative fireplace, as shown and described.

DESCRIPTION

FIG. 1 is a perspective view depicting a new design for a decorative fireplace, with no claim being made to the bottom or rear of the fireplace;

FIG. 2 is a front elevation view of the decorative fireplace; FIG. 3 is a side elevation view of the decorative fireplace; and,

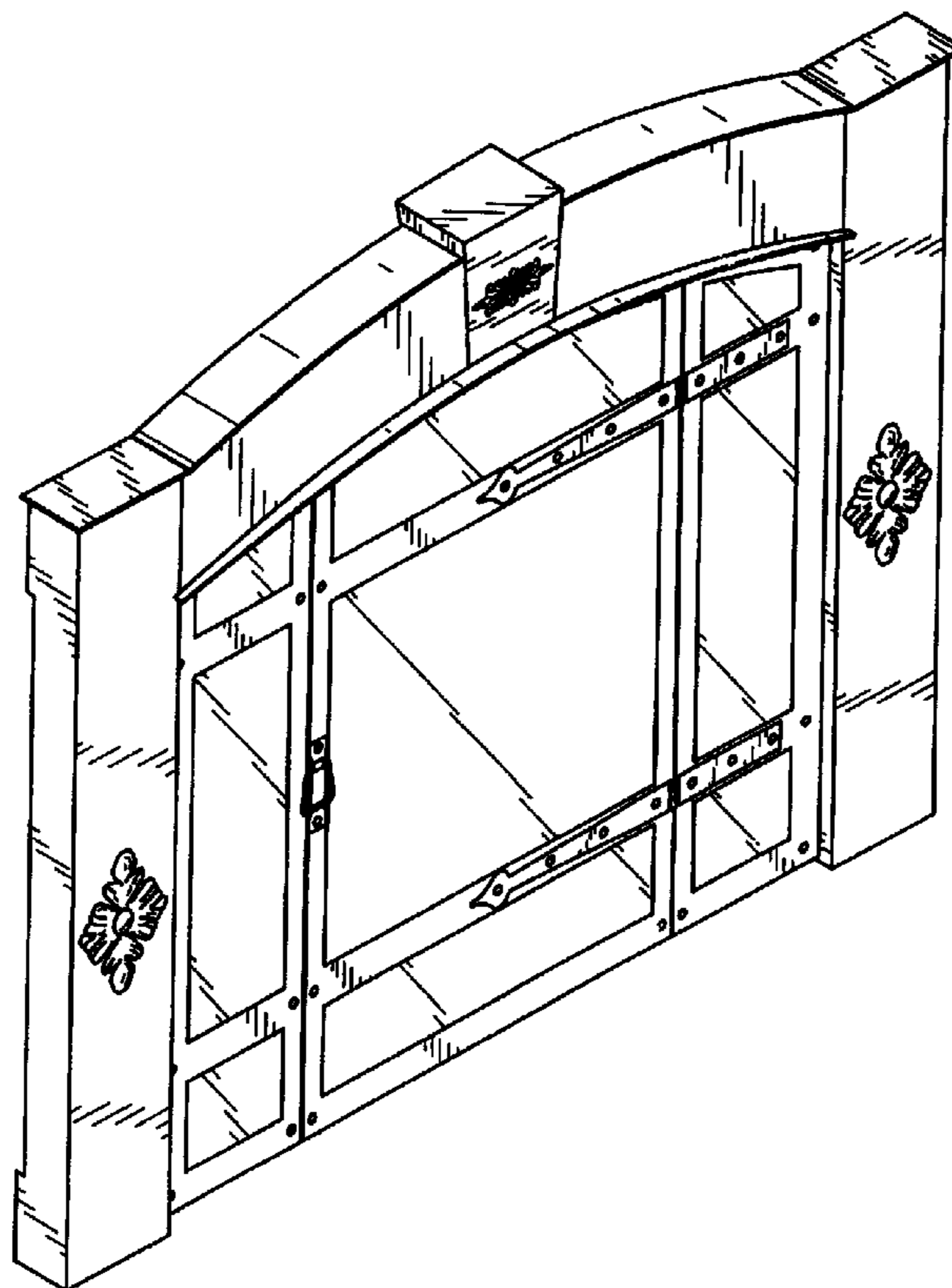
FIG. 4 is a top plan view of the decorative fireplace.

(56) **References Cited**

U.S. PATENT DOCUMENTS

| | | | |
|------------|-----------|----------------|---------------|
| D77,935 S | 3/1929 | Carlson | |
| D255,830 S | 7/1980 | Hansen | |
| D264,497 S | 5/1982 | Morande, Jr. | |
| D267,112 S | 11/1982 | Connelly | |
| D281,716 S | * 12/1985 | Aseltine | D23/405 |
| D281,901 S | 12/1985 | Demrick et al. | |
| D297,099 S | 8/1988 | Poilane | |

1 Claim, 2 Drawing Sheets



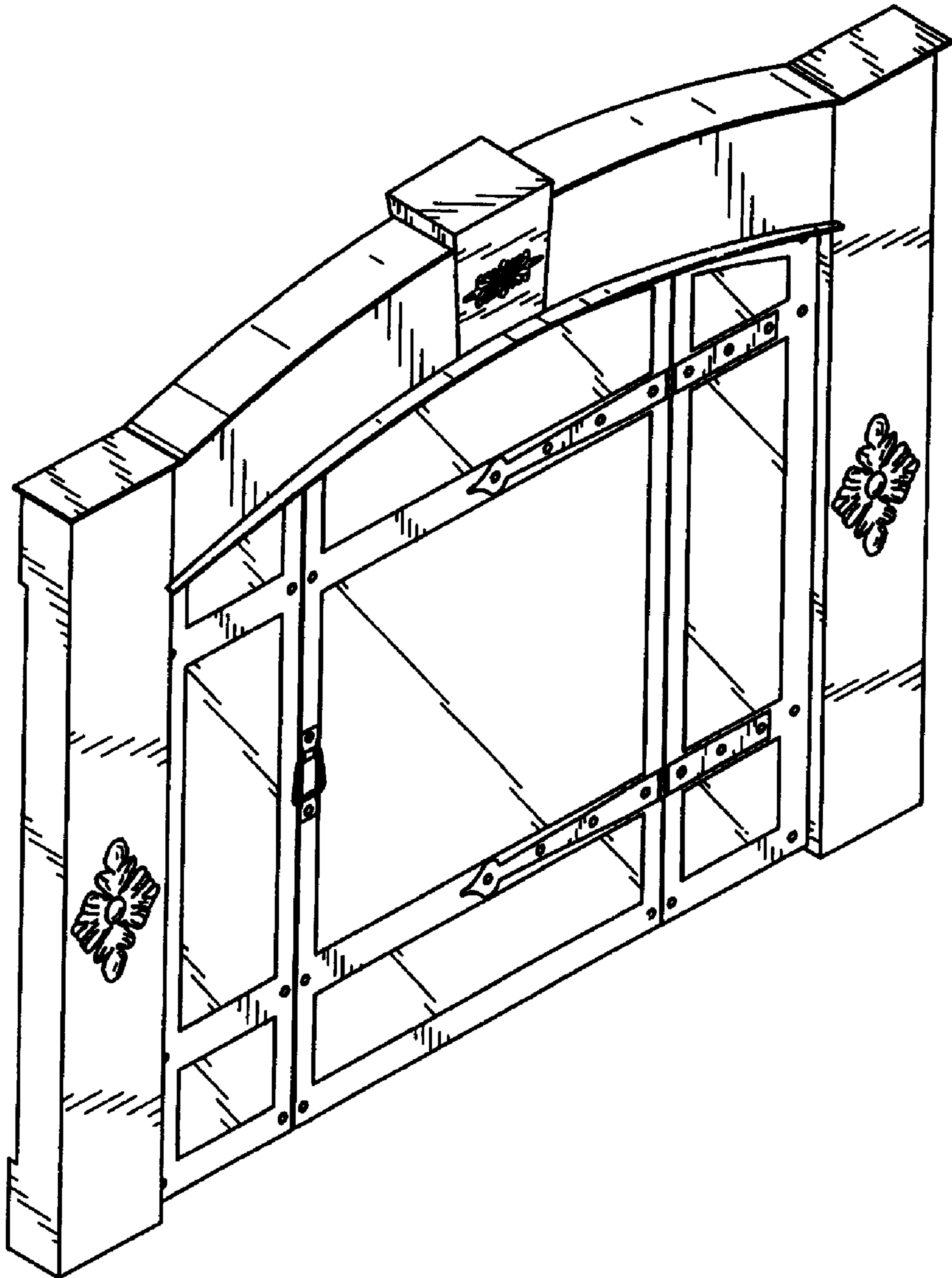


FIG. 1

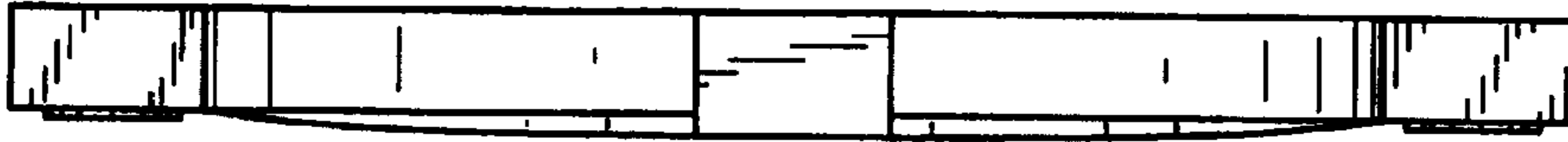


FIG.4

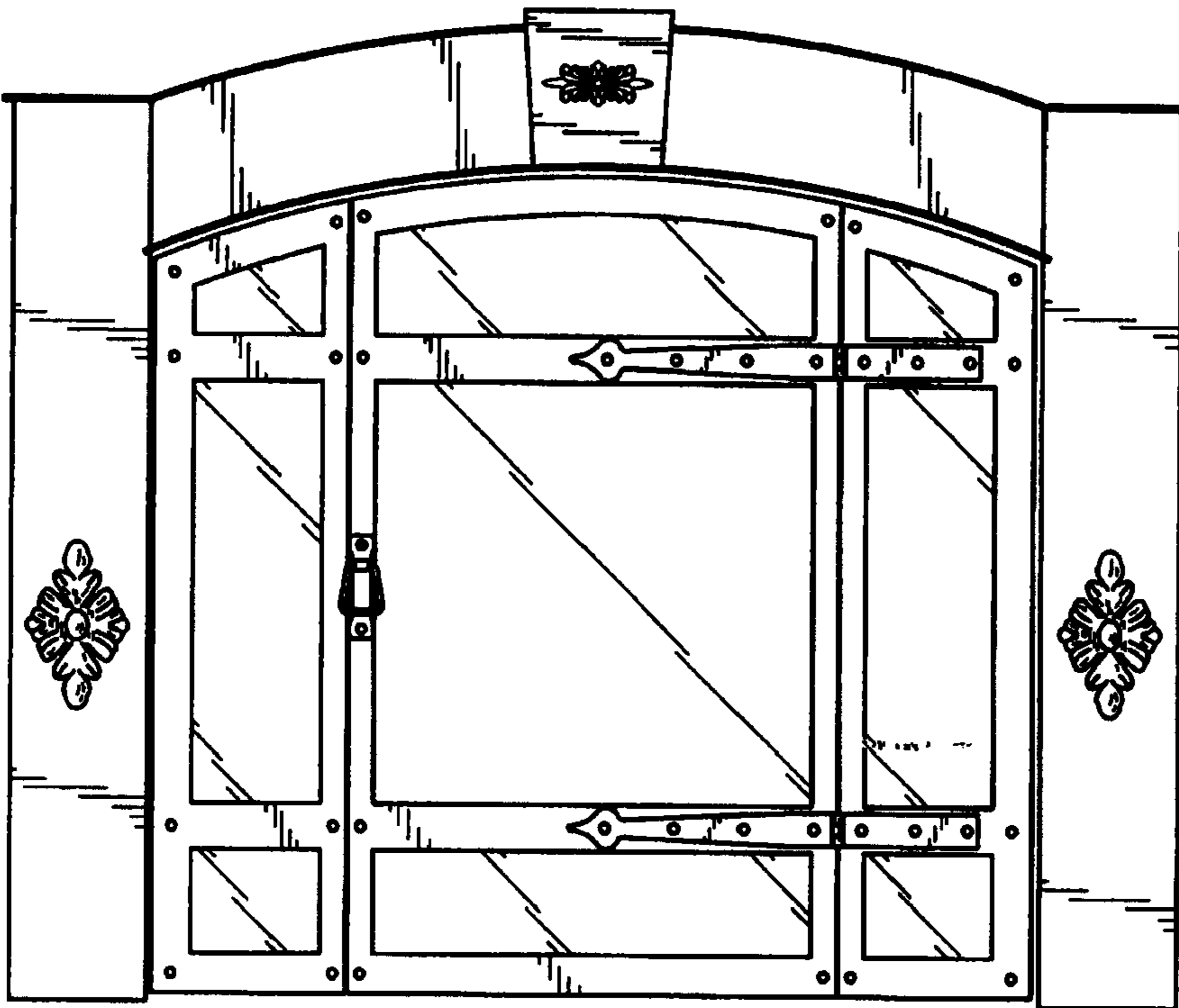


FIG.2

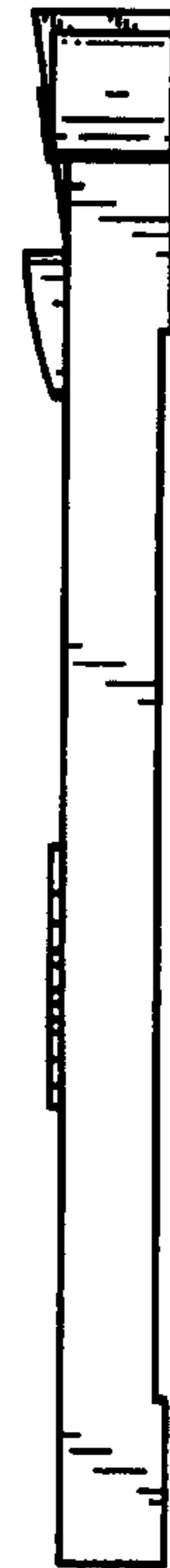


FIG.3