



US00D539409S

(12) **United States Design Patent**
Minor

(10) **Patent No.:** **US D539,409 S**

(45) **Date of Patent:** **** Mar. 27, 2007**

(54) **EXHAUST STACK SIMULATOR**

(75) Inventor: **Danny R. Minor**, Decatur, AL (US)

(73) Assignee: **Vision Global Trading, Inc.**, Decatur, AL (US)

(**) Term: **14 Years**

(21) Appl. No.: **29/218,737**

(22) Filed: **Dec. 7, 2004**

(51) **LOC (8) Cl.** **23-04**

(52) **U.S. Cl.** **D23/373**

(58) **Field of Classification Search** D23/373,
D23/374; 454/356

See application file for complete search history.

(56) **References Cited**

U.S. PATENT DOCUMENTS

D104,620 S	*	5/1937	Wagner	D23/374
2,322,302 A	*	6/1943	Martinson	454/356
D257,282 S	*	10/1980	Roberts	D23/373

* cited by examiner

Primary Examiner—Lisa Lichtenstein

(74) *Attorney, Agent, or Firm*—Lanier Ford Shaver & Payne PC

(57) **CLAIM**

I claim the design for a exhaust stack simulator, as shown and described herein.

DESCRIPTION

FIG. 1 is a top view of the right-side simulator of a pair of simulators in accordance with the present invention;

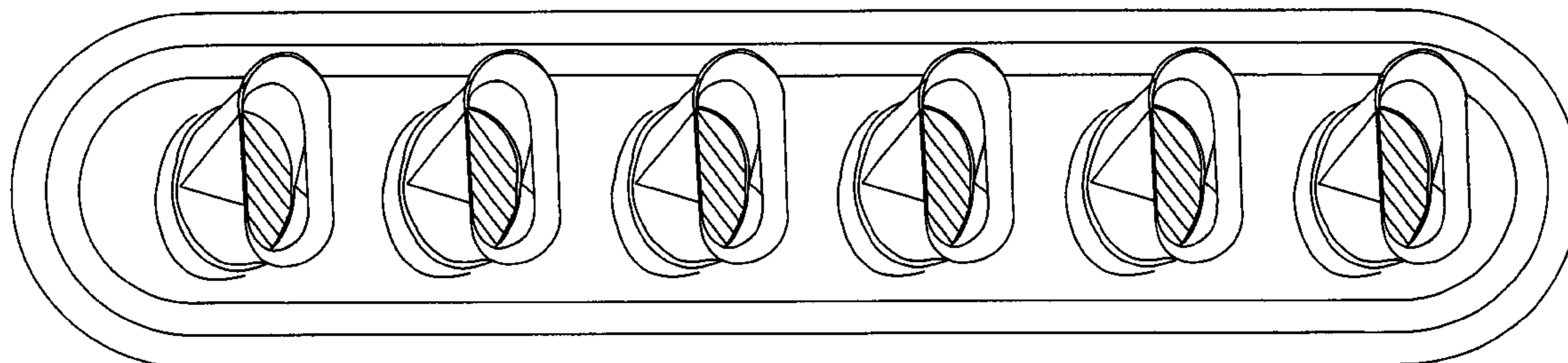
FIG. 2 is a top view of the left-side simulator of a pair of simulators in accordance with the present invention;

FIG. 3 is a side view of one of the simulators of a pair in accordance with the present invention;

FIG. 4 is an enlarged front view of the left-side simulator of FIG. 2 and a pair of simulators in accordance with the present invention; and,

FIG. 5 is an enlarged front view of the right-side simulator of FIG. 1 and of a pair of simulators in accordance with the present invention.

1 Claim, 4 Drawing Sheets



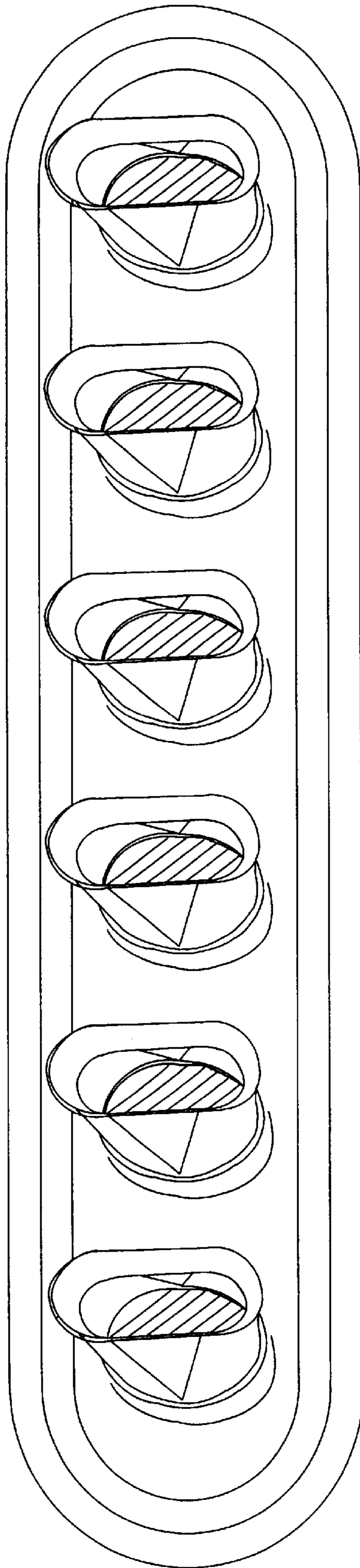


FIGURE 1

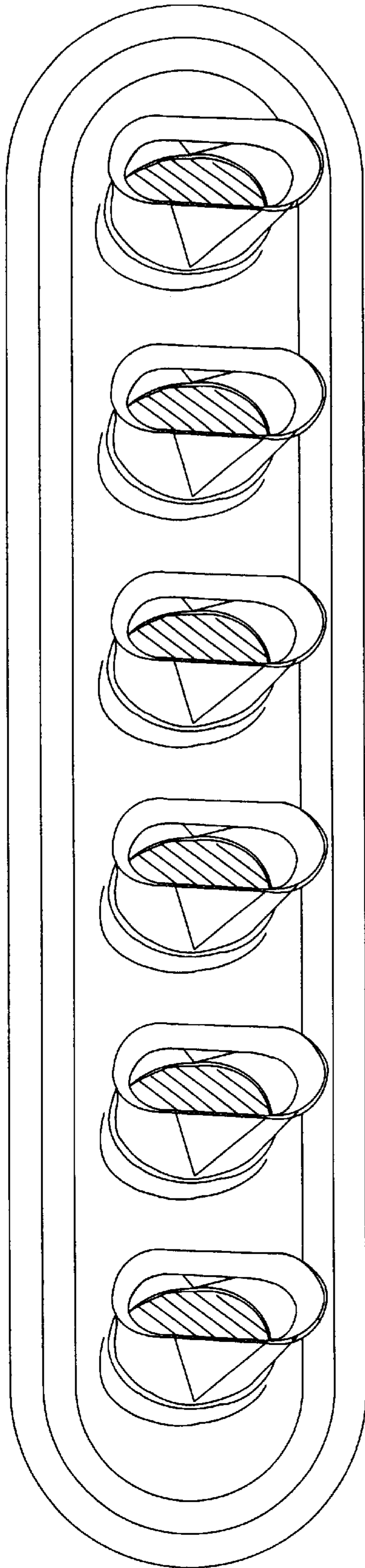


FIGURE 2

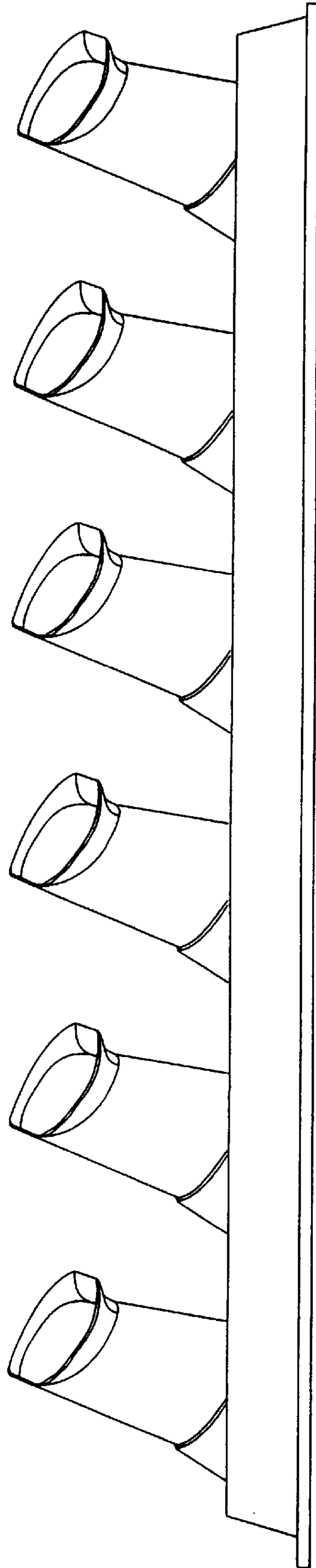


FIGURE 3

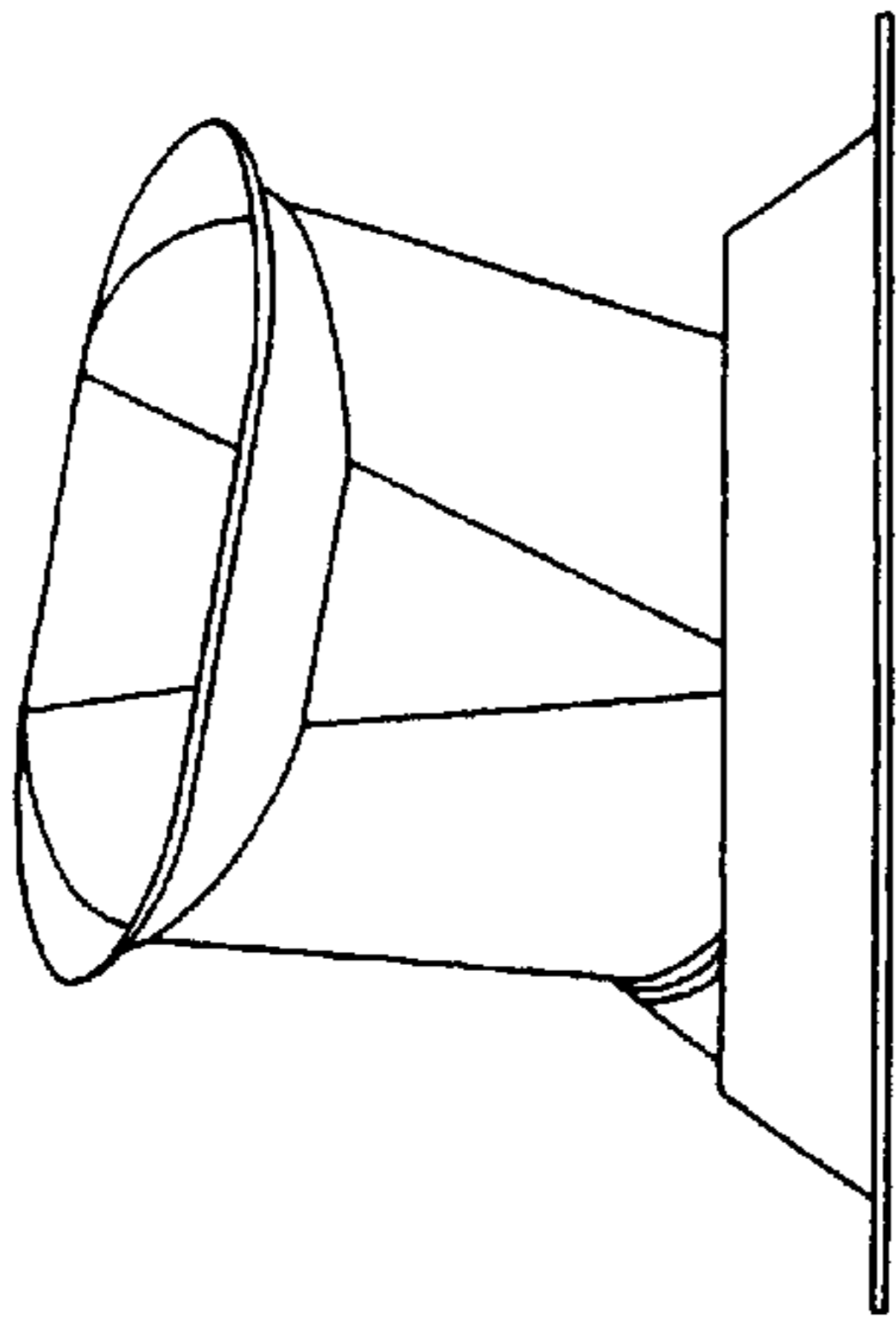


FIGURE 4

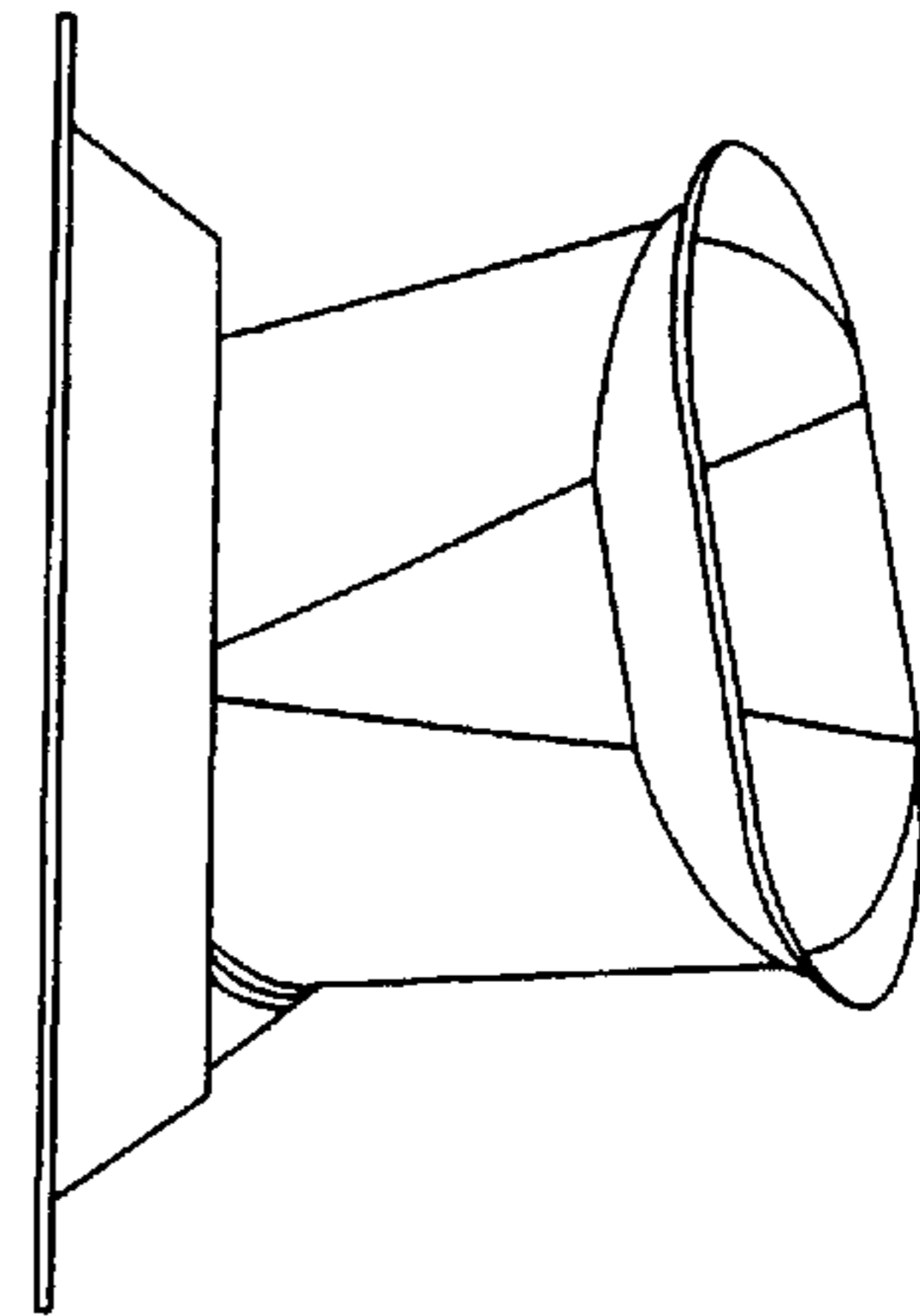


FIGURE 5