

US00D539408S

(12) **United States Design Patent**
Wu et al.

(10) **Patent No.: US D539,408 S**

(45) **Date of Patent: ** Mar. 27, 2007**

(54) **CENTRIFUGAL FAN**

6,042,335 A * 3/2000 Amr 415/208.1
6,884,033 B2 * 4/2005 Liao 415/206

(75) Inventors: **Chun-Nan Wu**, Taoyuan Hsien (TW);
Kuo-Tung Hsu, Taoyuan Hsien (TW);
Wen-Shi Huang, Taoyuan Hsien (TW)

* cited by examiner

(73) Assignee: **Delta Electronics Inc.**, Taoyuan Hsien (TW)

Primary Examiner—Lisa Lichtenstein
(74) *Attorney, Agent, or Firm*—Birch, Stewart, Kolasch & Birch, LLP

(**) Term: **14 Years**

(57) **CLAIM**

(21) Appl. No.: **29/235,890**

The ornamental design for a centrifugal fan, as shown and described herein.

(22) Filed: **Aug. 9, 2005**

DESCRIPTION

(30) **Foreign Application Priority Data**

May 23, 2005 (CN) 200530015672

FIG. 1 is a perspective view of a centrifugal fan showing our new design;

(51) **LOC (8) Cl.** **23-04**

FIG. 2 is a top view thereof;

(52) **U.S. Cl.** **D23/370**

FIG. 3 is a bottom view thereof;

(58) **Field of Classification Search** D23/370,
D23/383; 415/206, 208.1

FIG. 4 is a front view thereof;

See application file for complete search history.

FIG. 5 is a rear view thereof;

FIG. 6 is a left side view thereof; and,

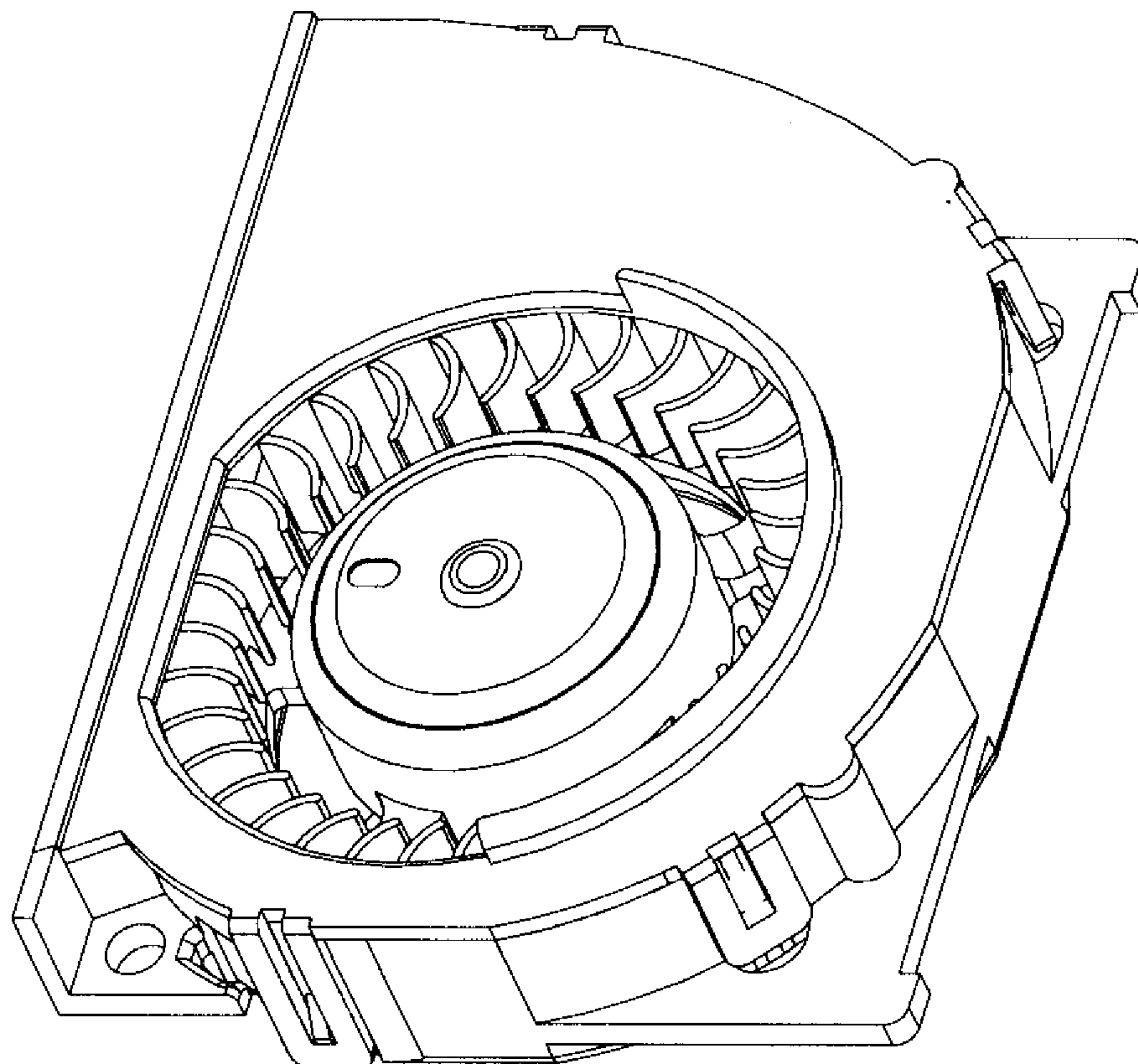
FIG. 7 is a right side view thereof.

(56) **References Cited**

U.S. PATENT DOCUMENTS

D234,203 S * 1/1975 Gunter D23/383

1 Claim, 3 Drawing Sheets



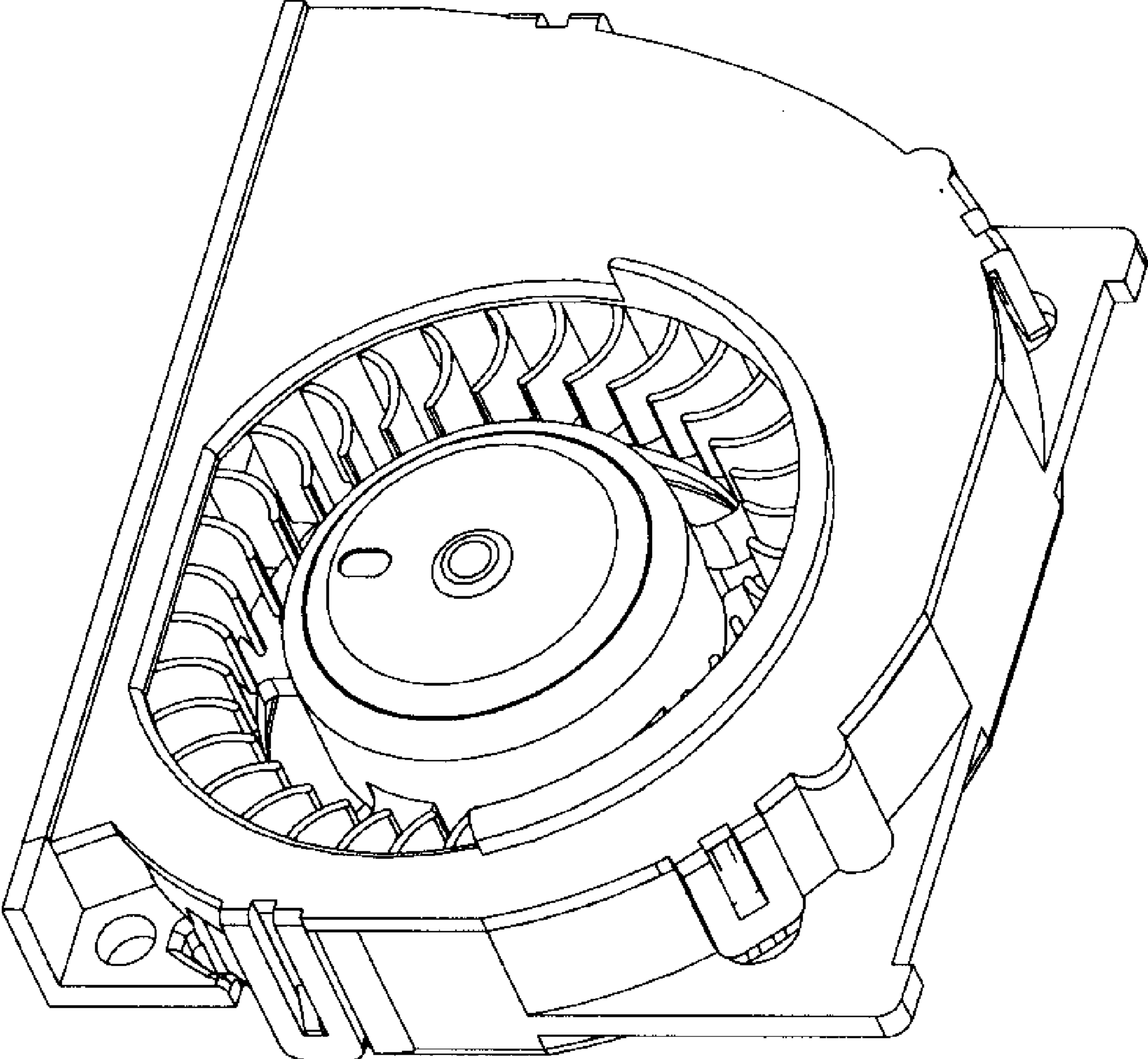


Fig. 1

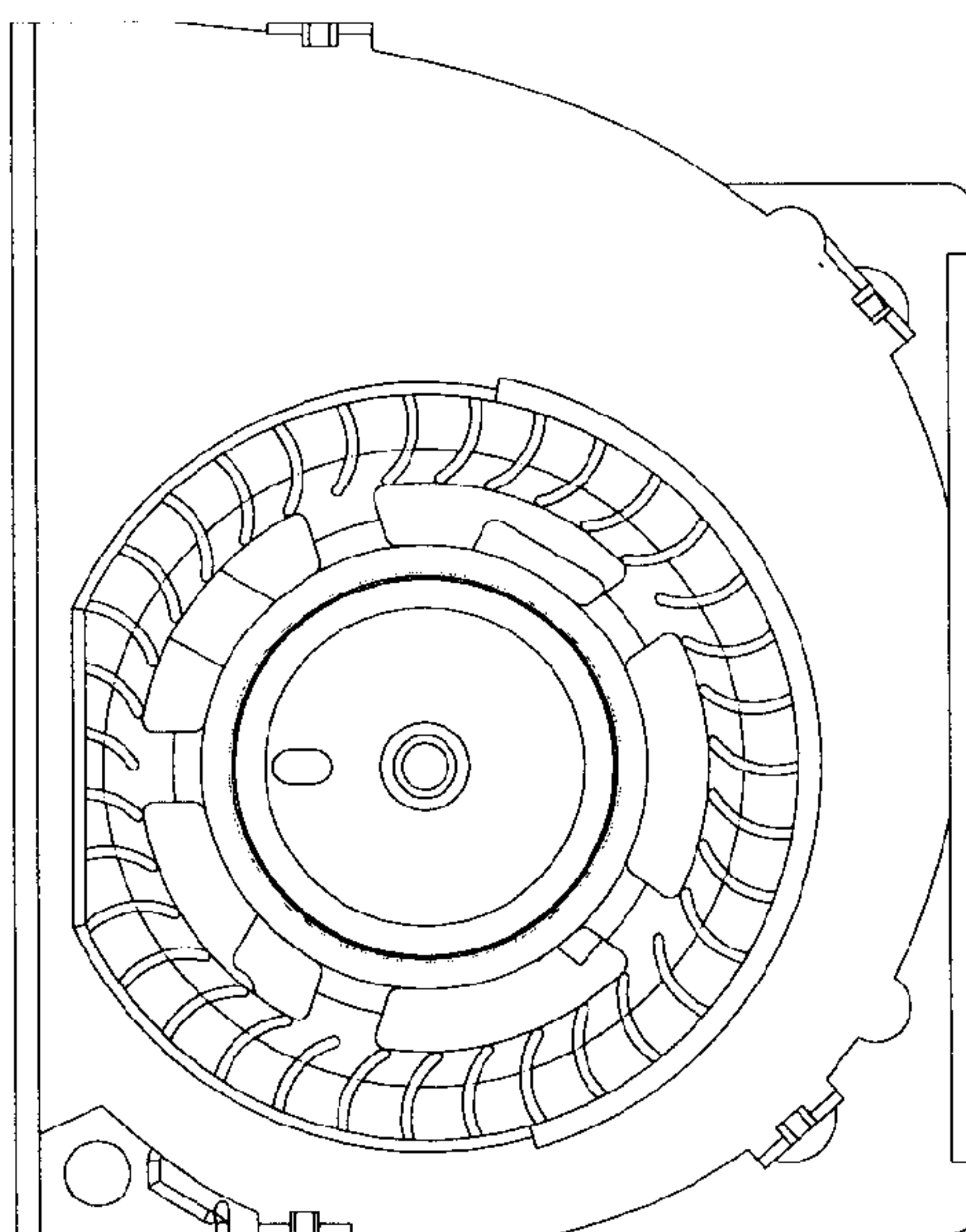


Fig. 2

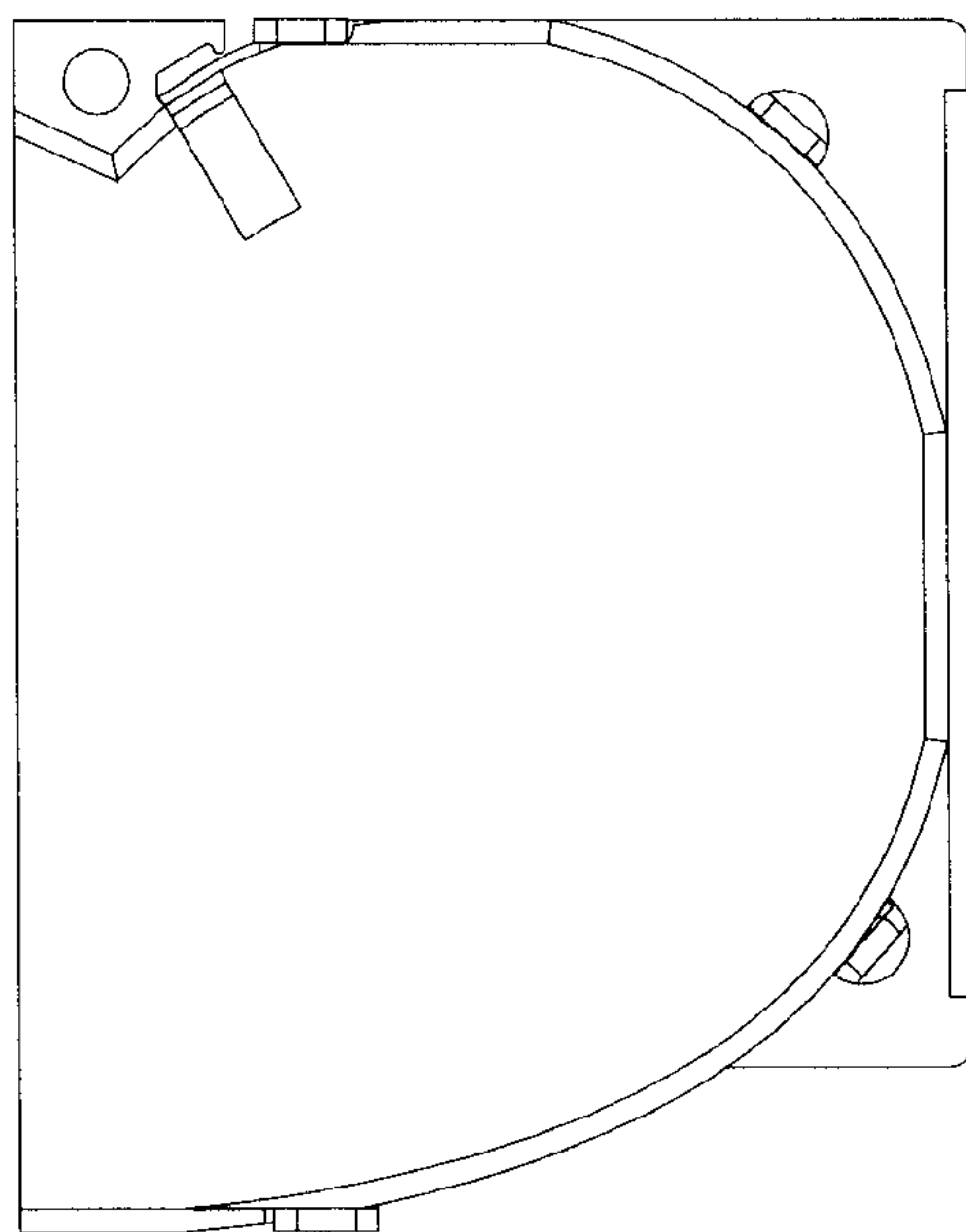


Fig. 3

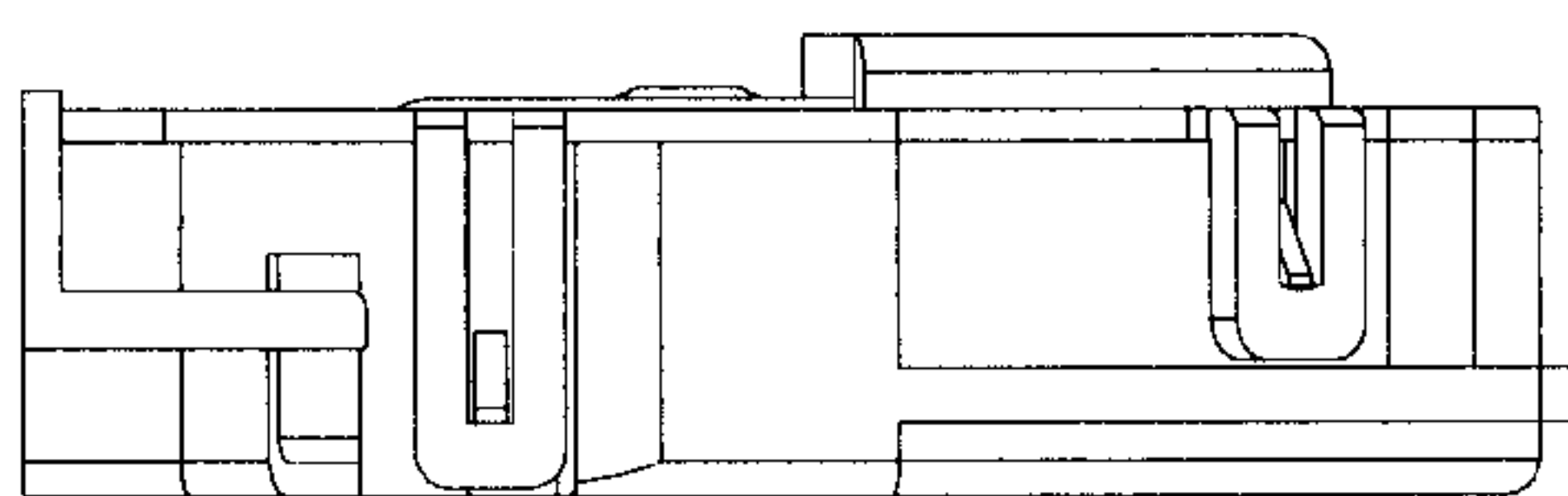


Fig. 4

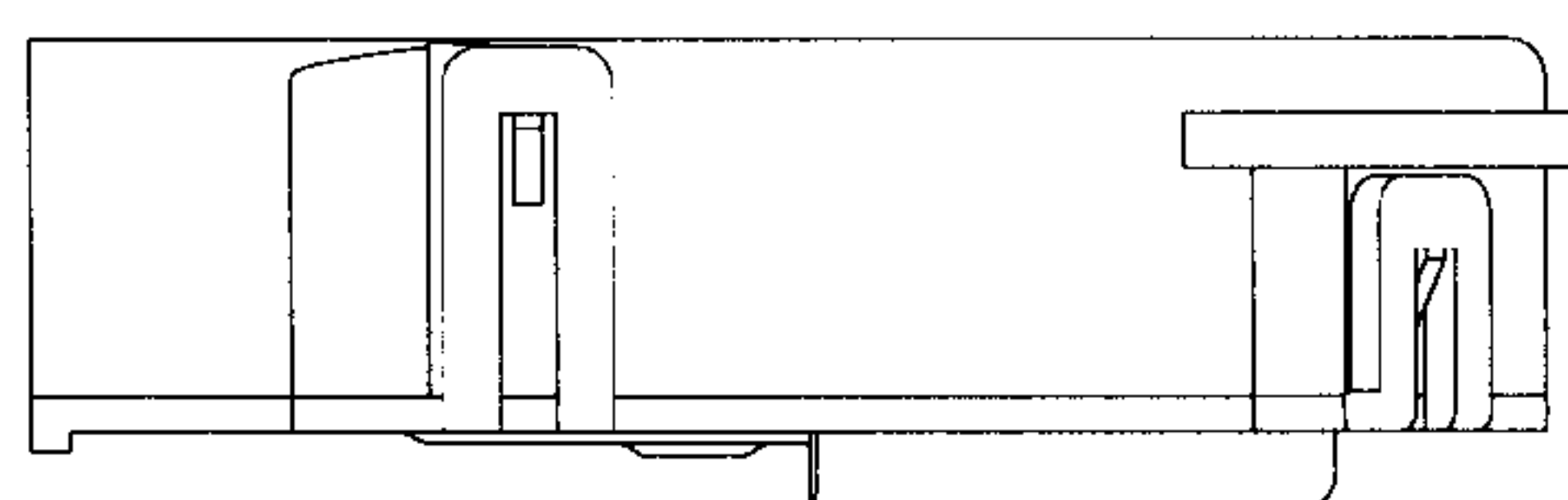


Fig. 5

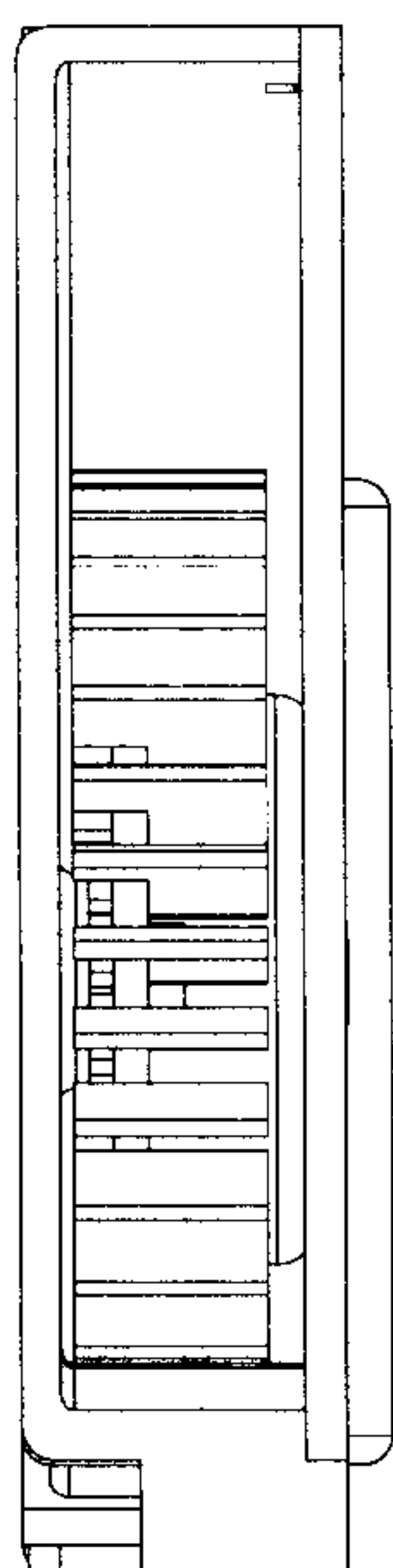


Fig. 6

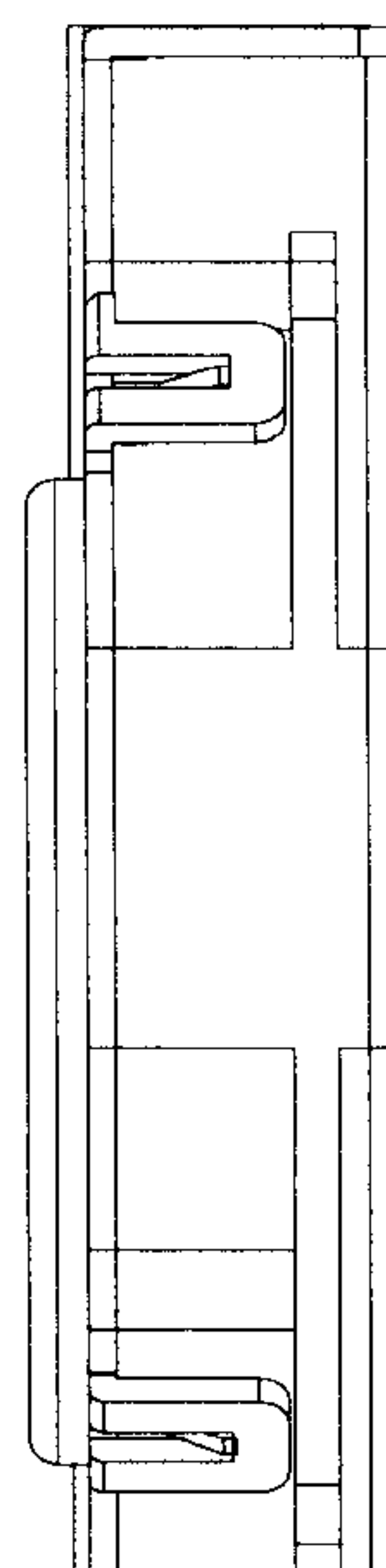


Fig. 7