



US00D539407S

(12) **United States Design Patent**
Zobebe

(10) **Patent No.:** **US D539,407 S**
(45) **Date of Patent:** **** Mar. 27, 2007**

(54) **DIFFUSER DEVICE FOR DEODORANTS**

D489,123 S * 4/2004 Basaganas Millan D23/366
2003/0231876 A1 * 12/2003 Basaganas Millan 392/390

(75) Inventor: **Franco Zobebe**, Trento (IT)

FOREIGN PATENT DOCUMENTS

(73) Assignee: **Zobebe Holding S.p.A.**, Trento (IT)

WO	DM/013741	6/1989
WO	DM/015481	12/1989
WO	DM/018286	12/1990
WO	DM/020051	7/1991
WO	DM/023871	9/1992
WO	DM/035660	2/1996

(**) Term: **14 Years**

(21) Appl. No.: **29/226,769**

(22) Filed: **Apr. 1, 2005**

* cited by examiner

(51) **LOC (8) Cl.** **06-01**

(52) **U.S. Cl.** **D23/366**

Primary Examiner—Sandra Snapp

(58) **Field of Classification Search** 392/386,
392/390–394, 398, 401, 403, 405–406; 239/135–136,
239/34, 35, 56–58, 37, 41, 42, 60; 261/DIG. 17,
261/DIG. 65, DIG. 88, DIG. 89; D23/355–369
See application file for complete search history.

(74) *Attorney, Agent, or Firm*—Banner & Witcoff, Ltd.

(57) **CLAIM**

The ornamental design for a diffuser device for deodorants,
as shown and described.

(56) **References Cited**

DESCRIPTION

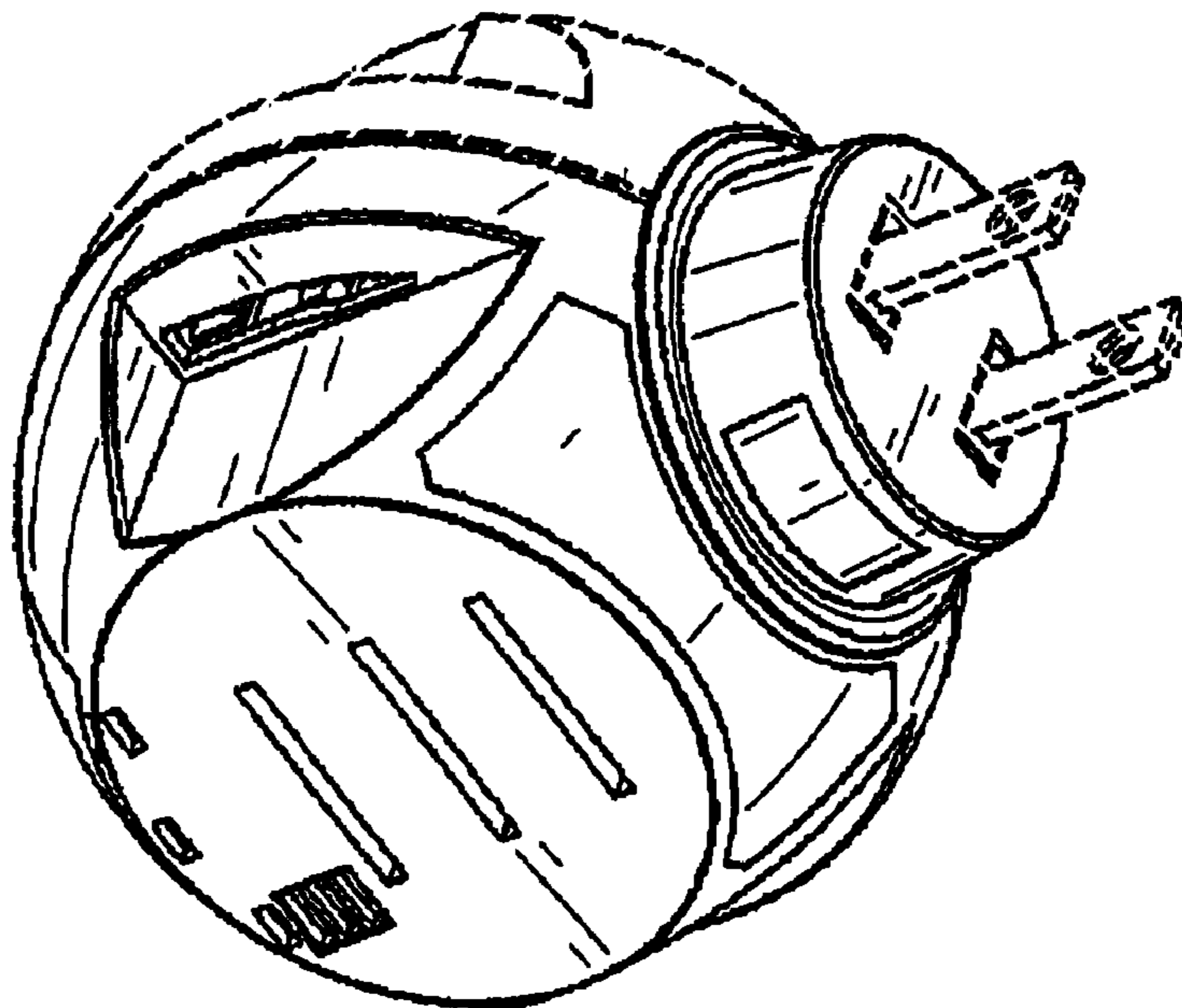
U.S. PATENT DOCUMENTS

D159,407 S	*	7/1950	Costello	D23/366
2,513,919 A	*	7/1950	Costello	392/392
3,748,438 A	*	7/1973	Costello	392/392
D246,986 S	*	1/1978	Costello	D23/360
4,214,146 A	*	7/1980	Schimanski	392/390
4,467,177 A	*	8/1984	Zobebe	392/392
5,038,394 A	*	8/1991	Hasegawa et al.	392/395
5,290,546 A	*	3/1994	Hasegawa et al.	424/76.2
D355,530 S	*	2/1995	Chan	D4/138
D400,662 S	*	11/1998	Davis	D23/366
D403,419 S	*	12/1998	Davis	D23/366
6,278,840 B1	*	8/2001	Basaganas Millan	392/390
D449,101 S	*	10/2001	Wolpert et al.	D23/366
D461,885 S	*	8/2002	Jordi	D23/366
D466,205 S	*	11/2002	Garcia	D23/366
D477,065 S	*	7/2003	Lonczak et al.	D23/366

FIG. 1 is a first perspective view of a diffuser device for deodorants showing my new design;
FIG. 2 is a second perspective view thereof;
FIG. 3 is a third perspective view thereof;
FIG. 4 is a fourth perspective view thereof;
FIG. 5 is a fifth perspective view thereof;
FIG. 6 is a bottom plan view thereof;
FIG. 7 is a right side elevational view thereof;
FIG. 8 is a rear elevational view thereof;
FIG. 9 is a left side elevational view thereof;
FIG. 10 is a top plan view thereof; and,
FIG. 11 is a front elevational view thereof.

The broken line showing of the plugs and the top portion of the diffuser device is for illustrative purposes only and forms no part of the claimed design.

1 Claim, 6 Drawing Sheets



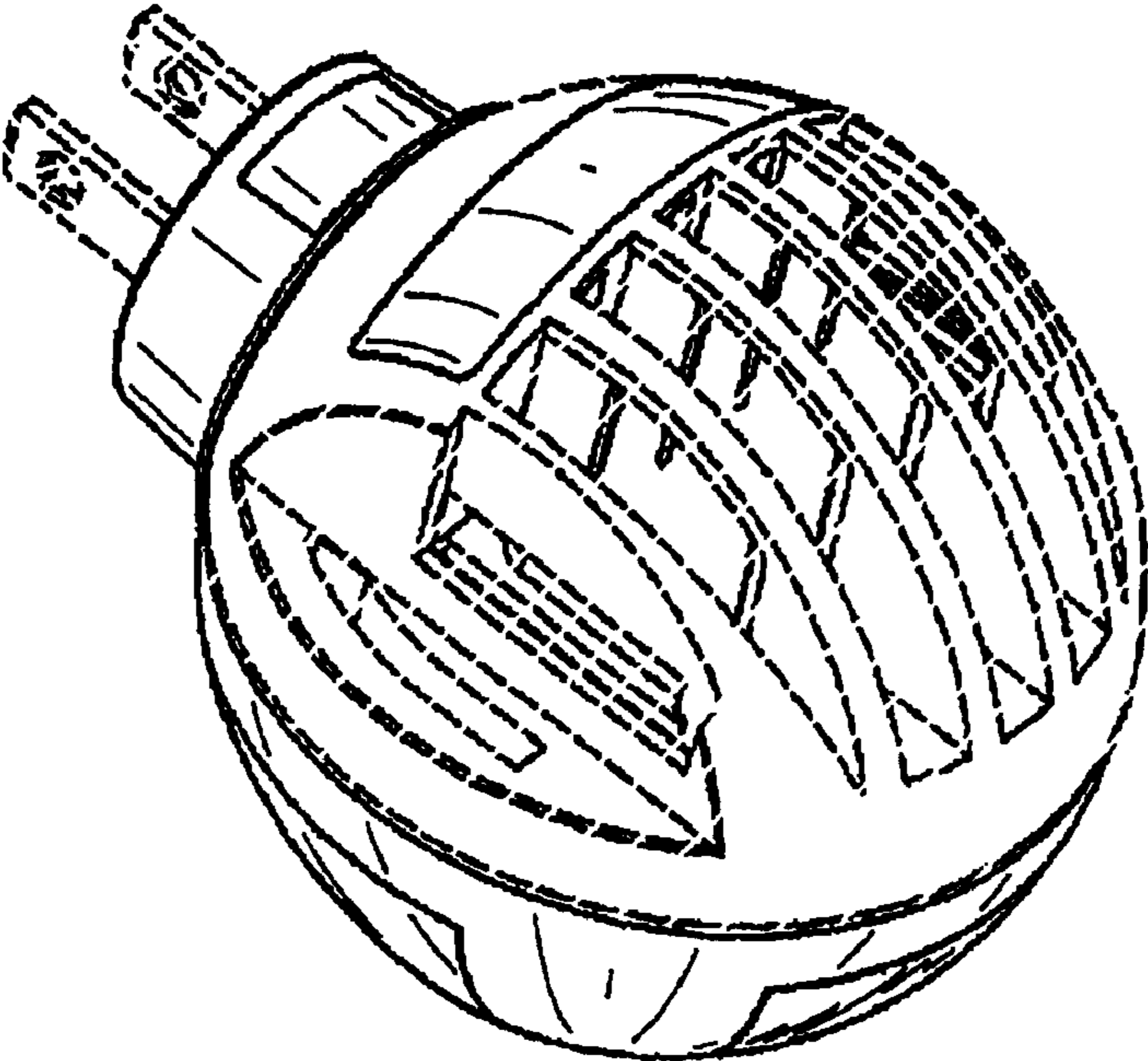


FIG. 1

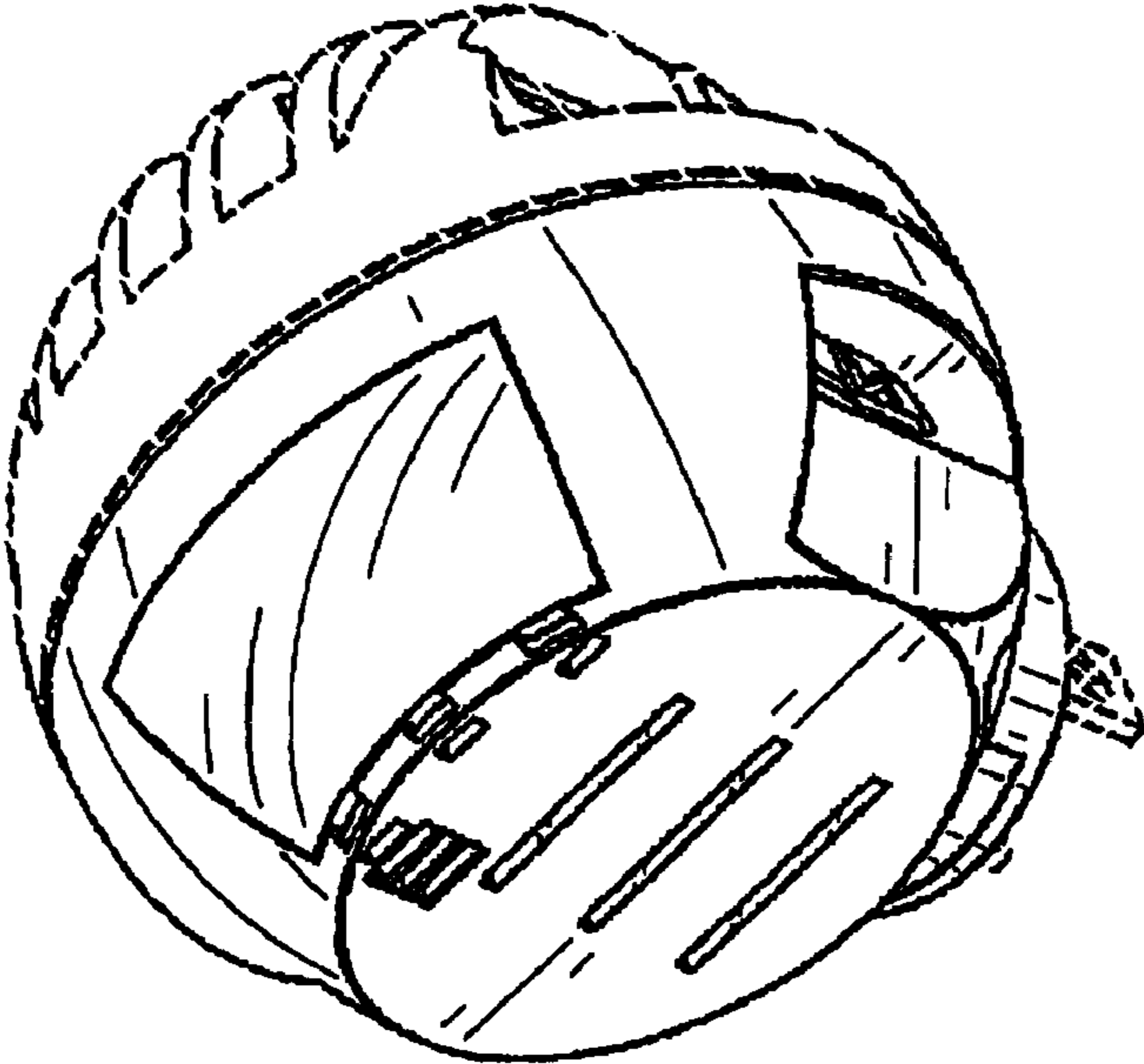


FIG. 2

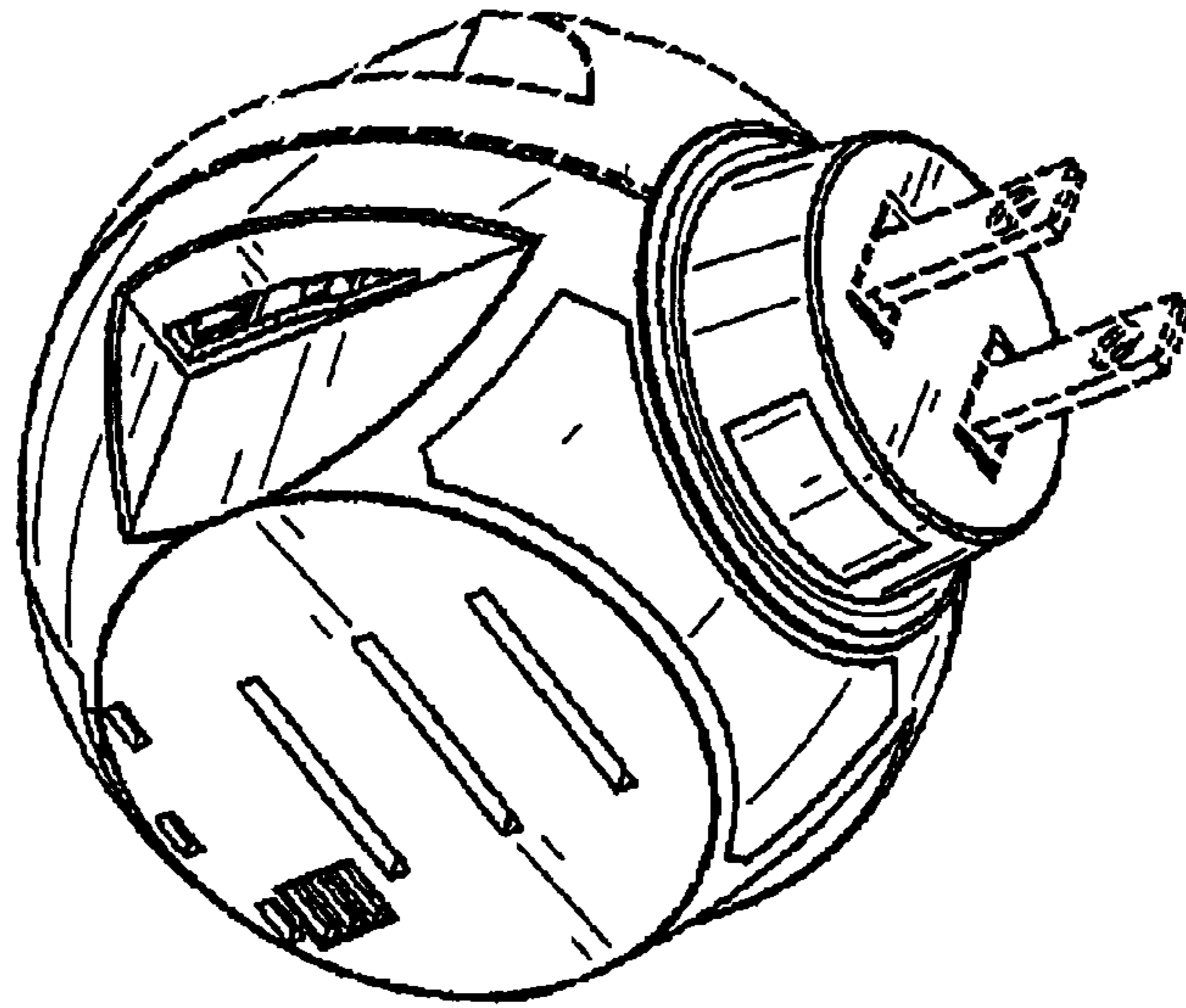


FIG. 3

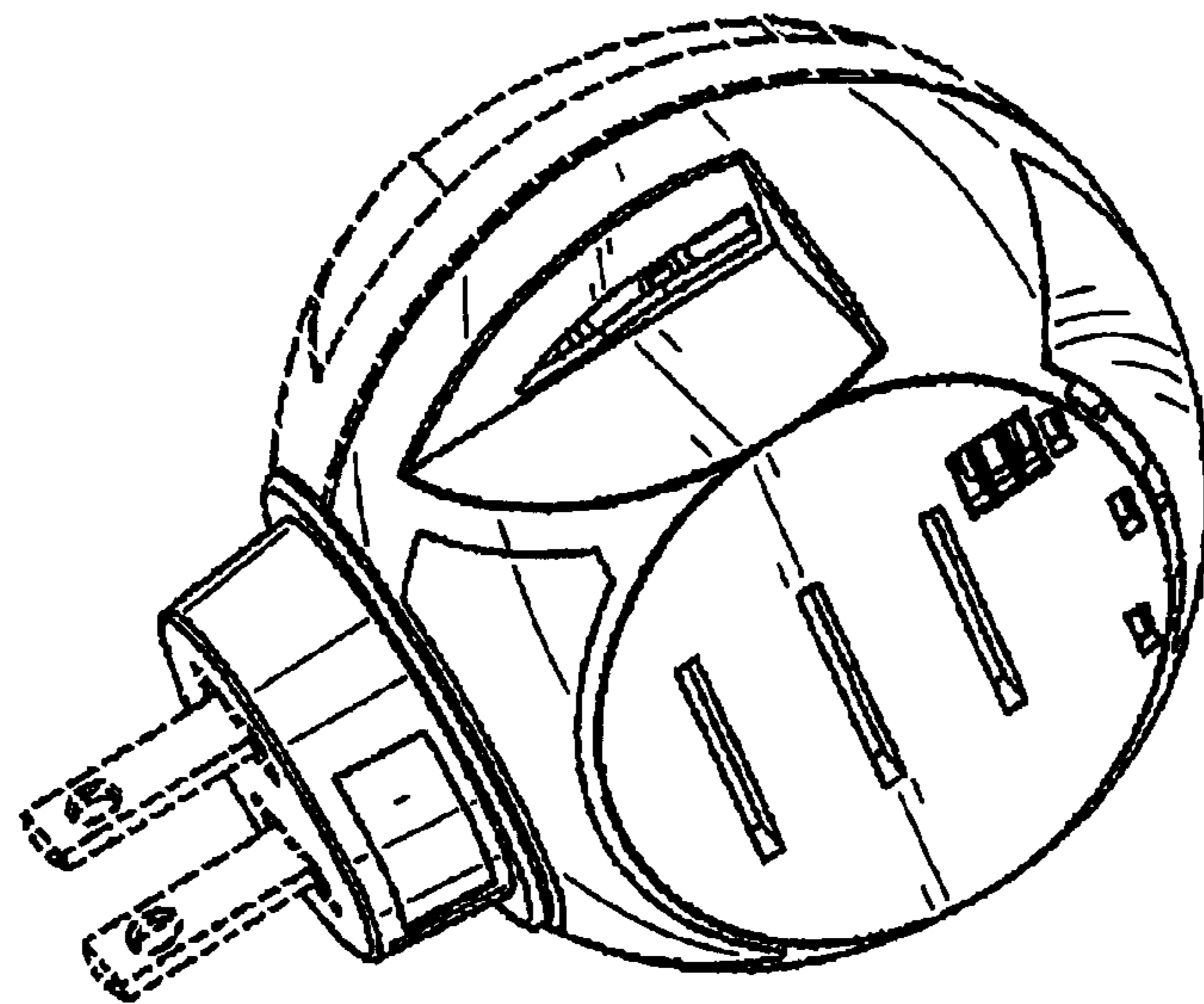


FIG. 4

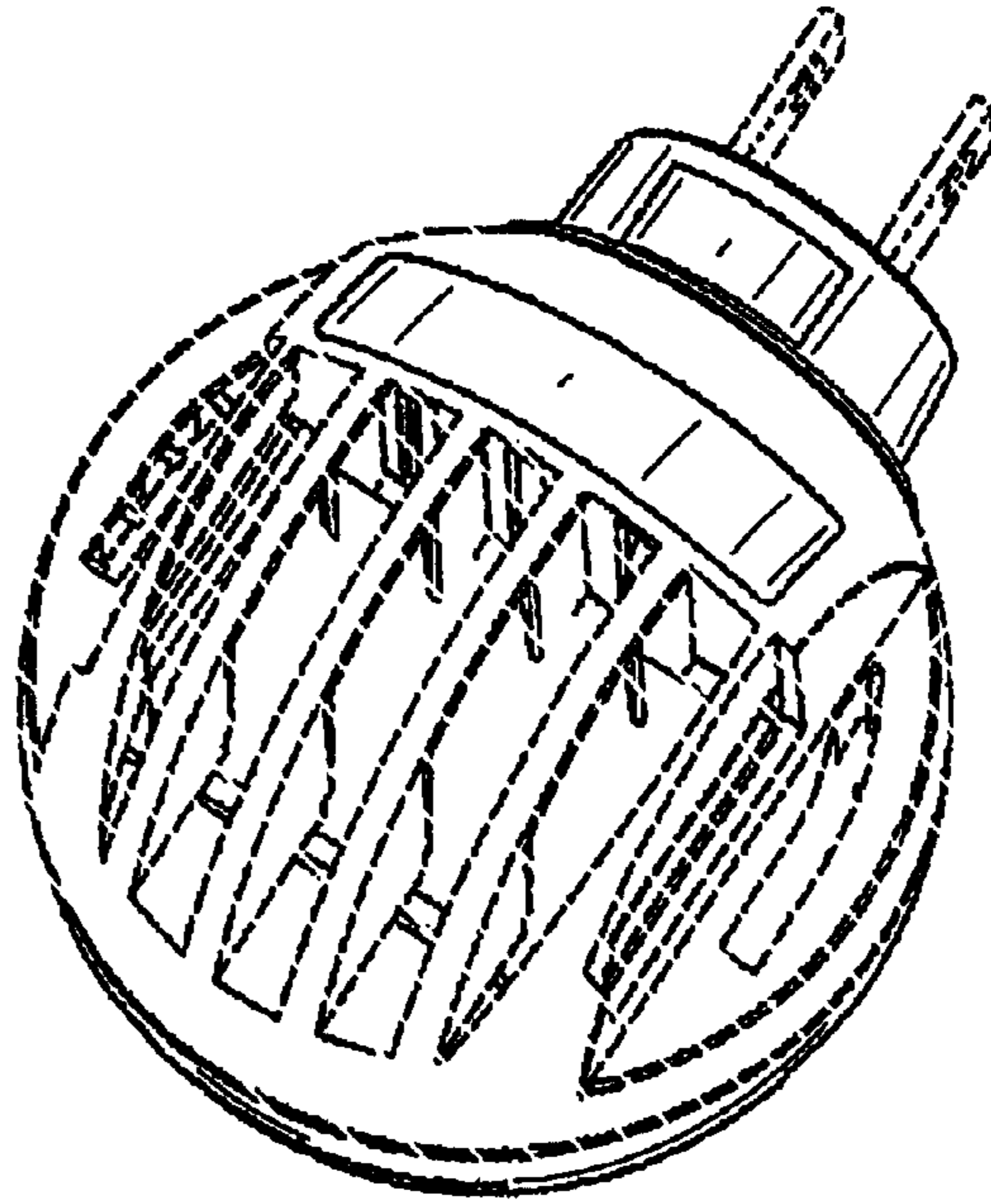


FIG. 5

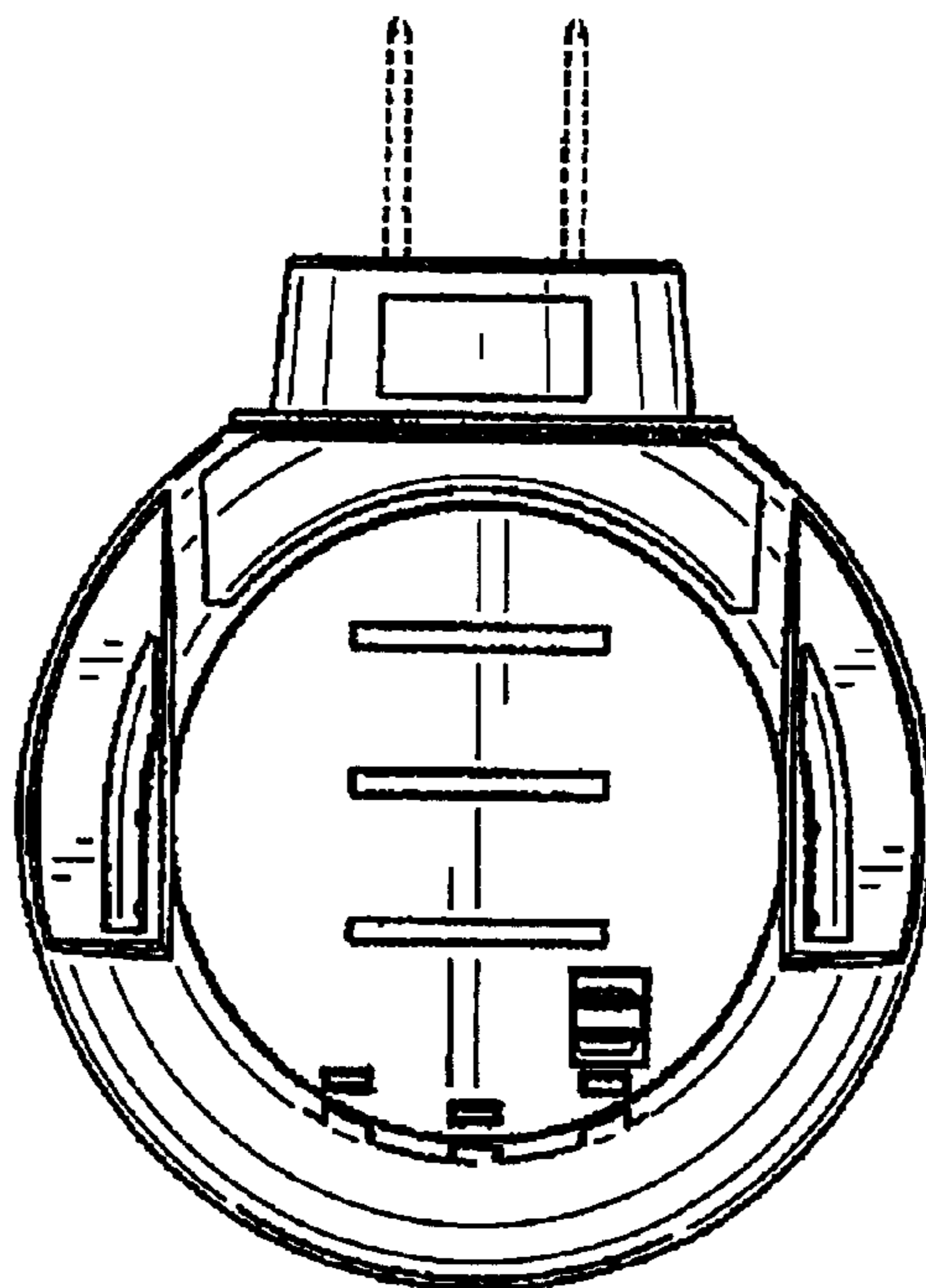


FIG. 6

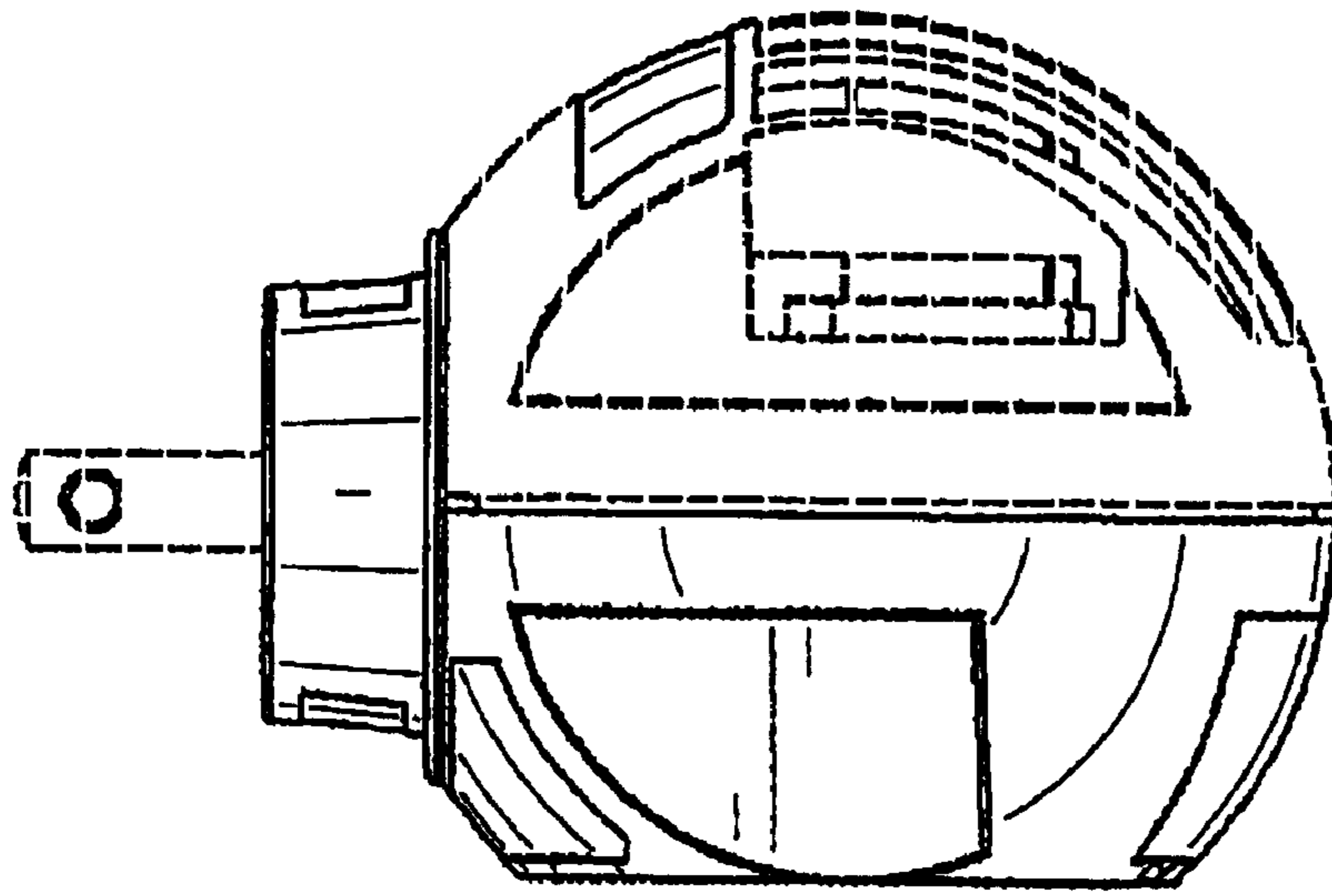


FIG. 7

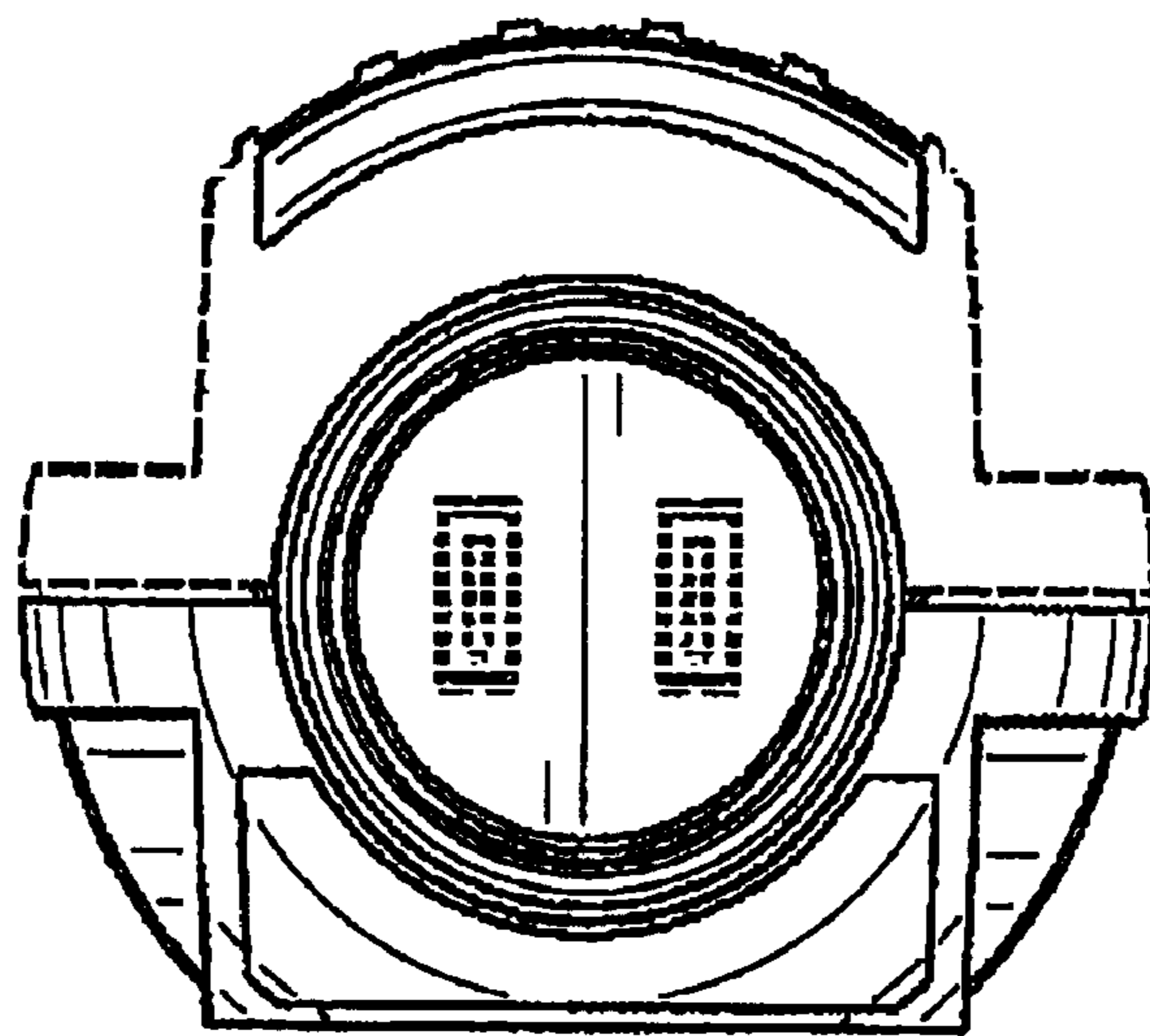


FIG. 8

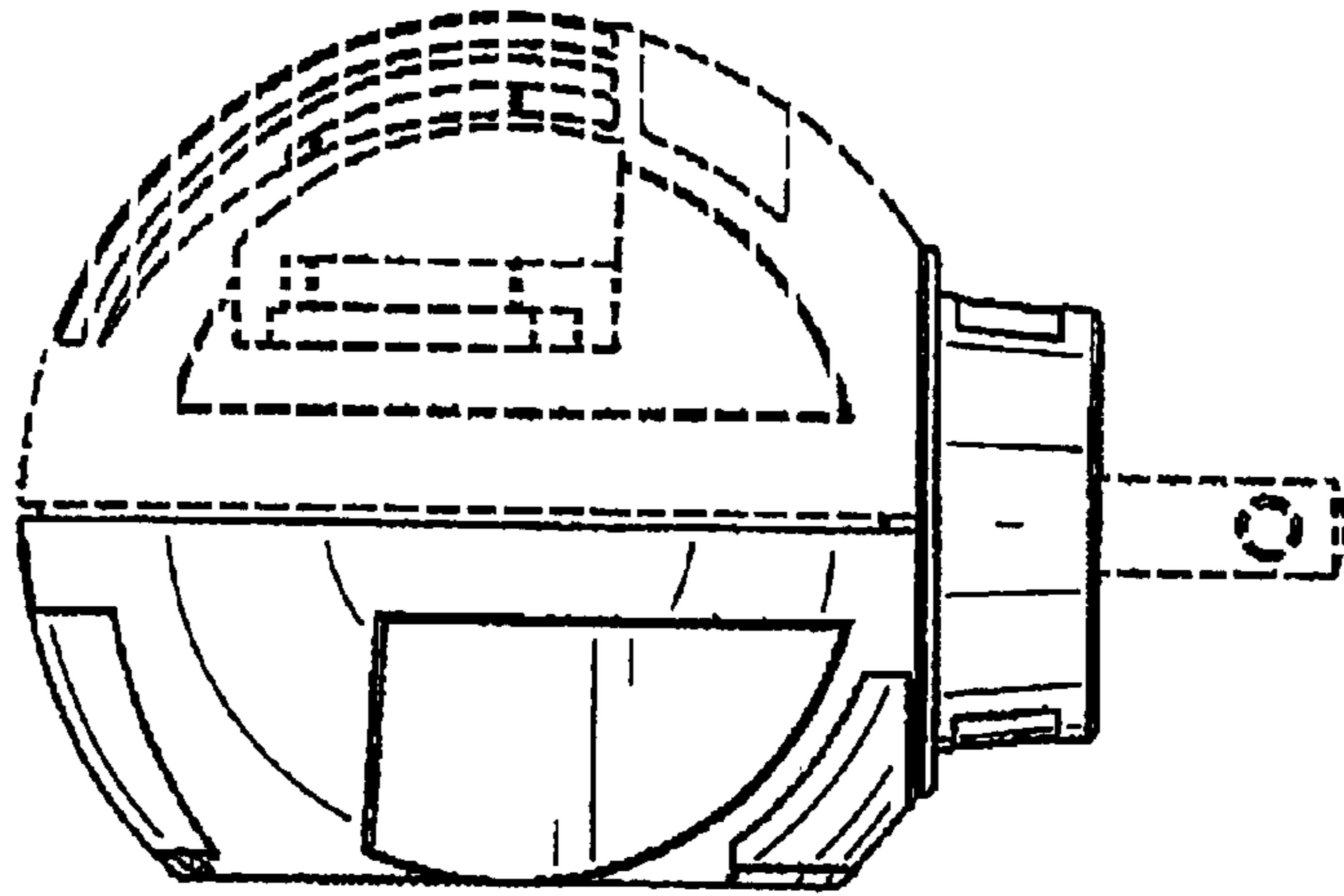


FIG. 9

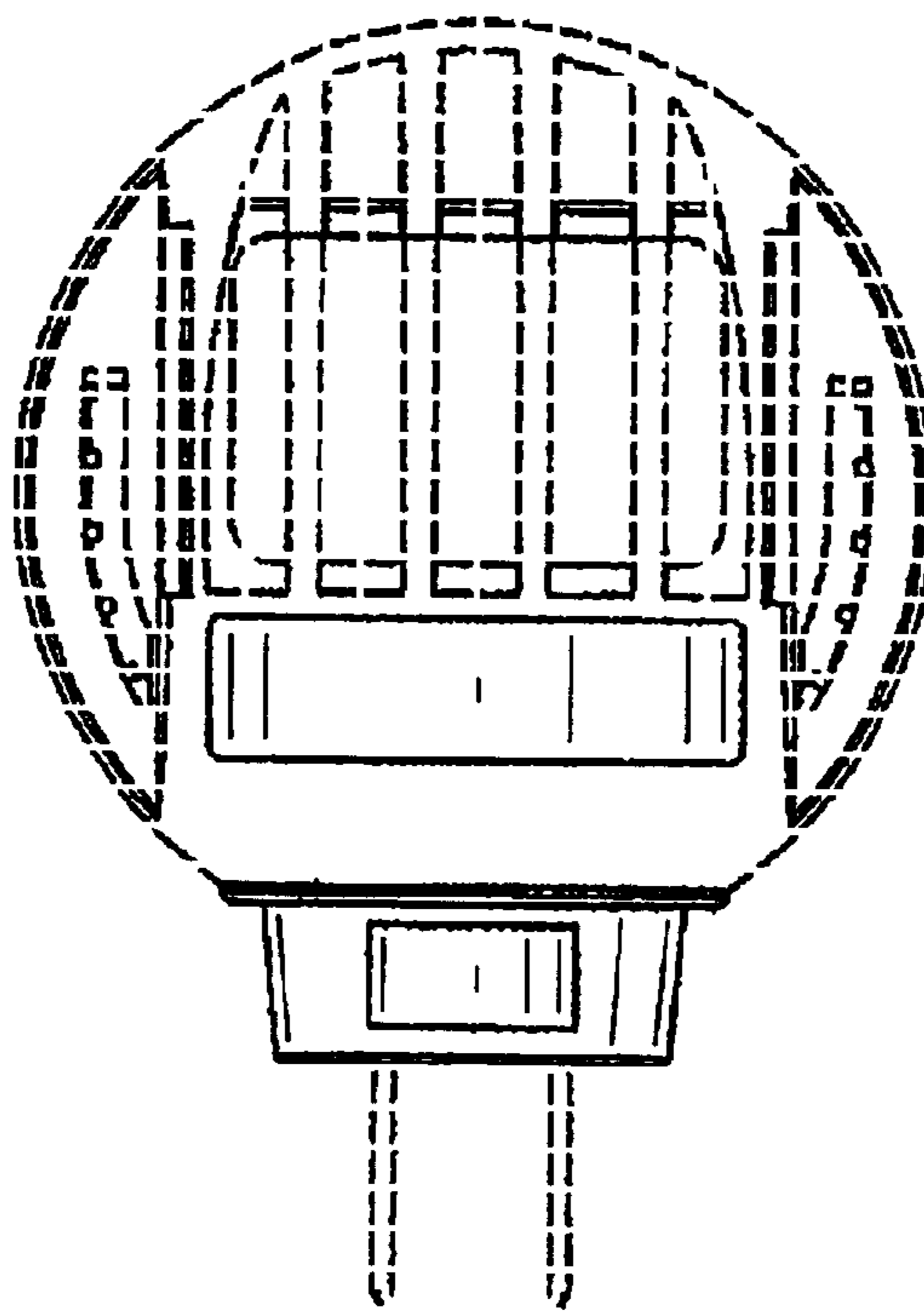


FIG. 10

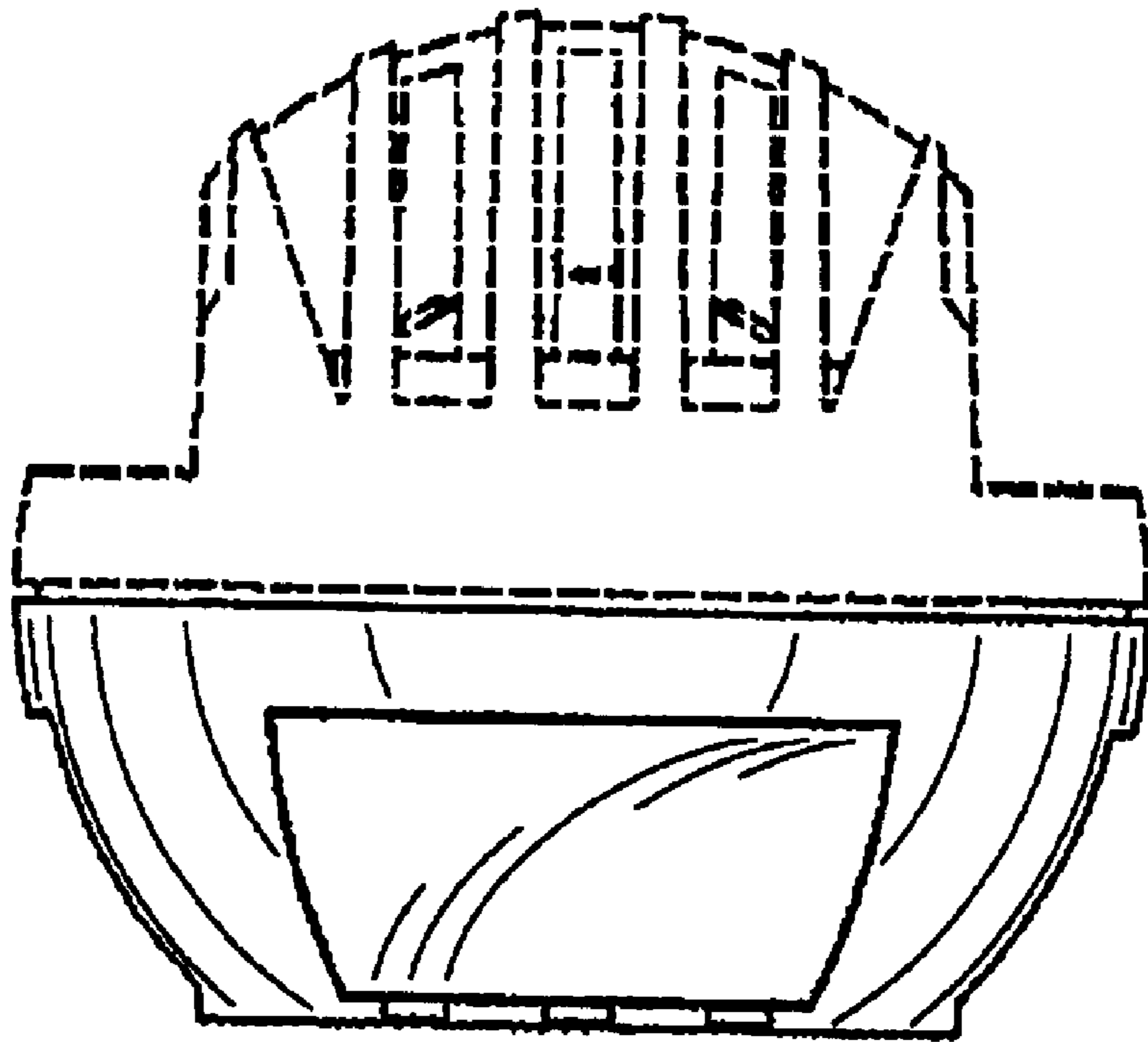


FIG. 11