



US00D539405S

(12) **United States Design Patent**
Jung et al.

(10) **Patent No.:** **US D539,405 S**

(45) **Date of Patent:** **** Mar. 27, 2007**

(54) **AIR CONDITIONER**

(75) Inventors: **Su Young Jung**, Seoul (KR); **Joo Hee Ryu**, Gowang-si (KR)

(73) Assignee: **Samsung Electronics Co. Ltd.**, Suwon (KR)

(**) Term: **14 Years**

(21) Appl. No.: **29/263,954**

(22) Filed: **Aug. 1, 2006**

(51) **LOC (8) Cl.** **23-04**

(52) **U.S. Cl.** **D23/351**

(58) **Field of Classification Search** D23/351-354;
312/236; 62/259.1, 259.4, 262-263, 304;
454/330-331, 349-350

See application file for complete search history.

(56) **References Cited**

U.S. PATENT DOCUMENTS

4,733,543	A	*	3/1988	Blair	312/236
D321,248	S	*	10/1991	Wilgus et al.	D23/351
D322,848	S	*	12/1991	Wilgus et al.	D23/351
D417,724	S	*	12/1999	Okamoto et al.	D23/351
D448,838	S	*	10/2001	Galeazzi et al.	D23/354
D469,525	S	*	1/2003	Giugiaro	D23/328
D529,593	S	*	10/2006	Mishiro et al.	D23/351

* cited by examiner

Primary Examiner—Brian N Vinson

(74) *Attorney, Agent, or Firm*—Ladas and Parry LLP

(57) **CLAIM**

We claim the ornamental design for an air conditioner, as shown and described.

DESCRIPTION

FIG. 1 is a top, front, and left side perspective view of an air conditioner showing our new design;

FIG. 2 is a front elevational view thereof;

FIG. 3 is a rear elevational view thereof;

FIG. 4 is a right side elevational view thereof;

FIG. 5 is a left side elevational view thereof;

FIG. 6 is a top plan view thereof;

FIG. 7 is a bottom plan view thereof; and,

FIG. 8 is a top, front, and left side perspective view of the air conditioner of FIG. 1 shown with a front cover slid downwardly from a closed position as shown in FIG. 1 to an opened position, exposing outlets.

The air conditioner can be made of metal, transparent material, and /or synthetic resin. The air conditioner has a front cover having curved upper and lower ends, a generally rectangular shape, inlets on the top, outlets at the bottom and behind front cover in the closed position, and a rounded display near the center of the front cover. The rounded display may be transparent.

1 Claim, 4 Drawing Sheets

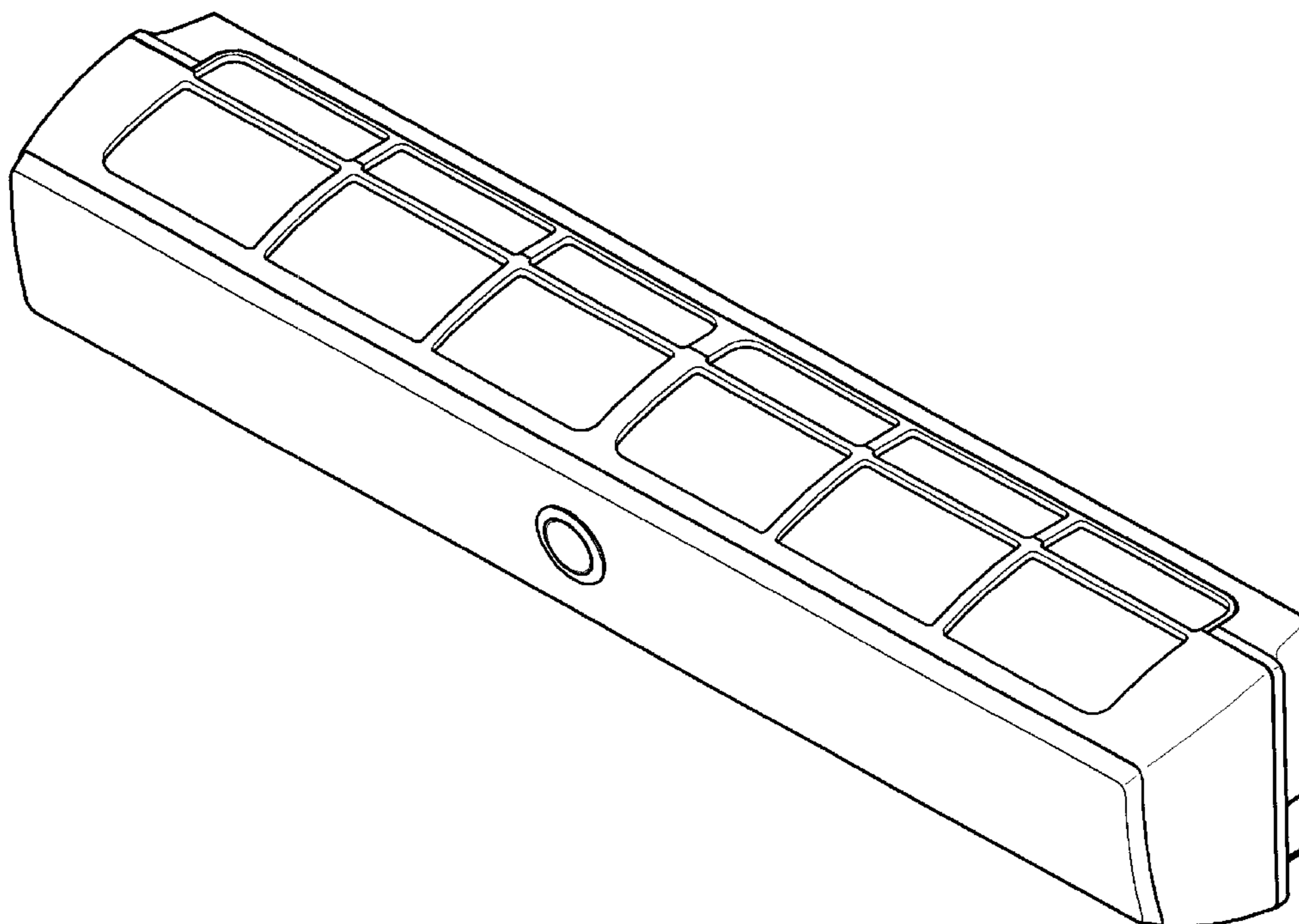


FIG. 1

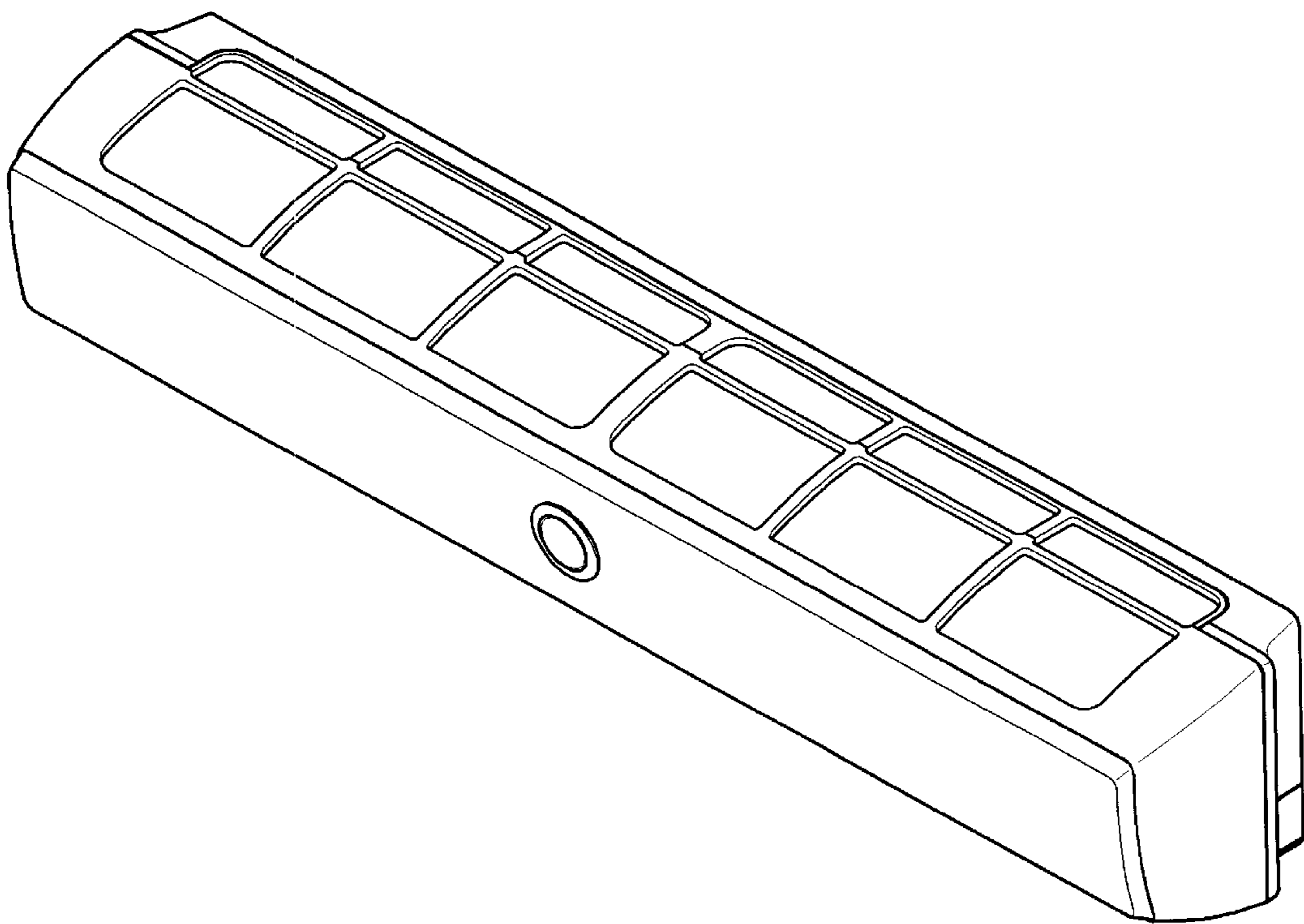


FIG. 2

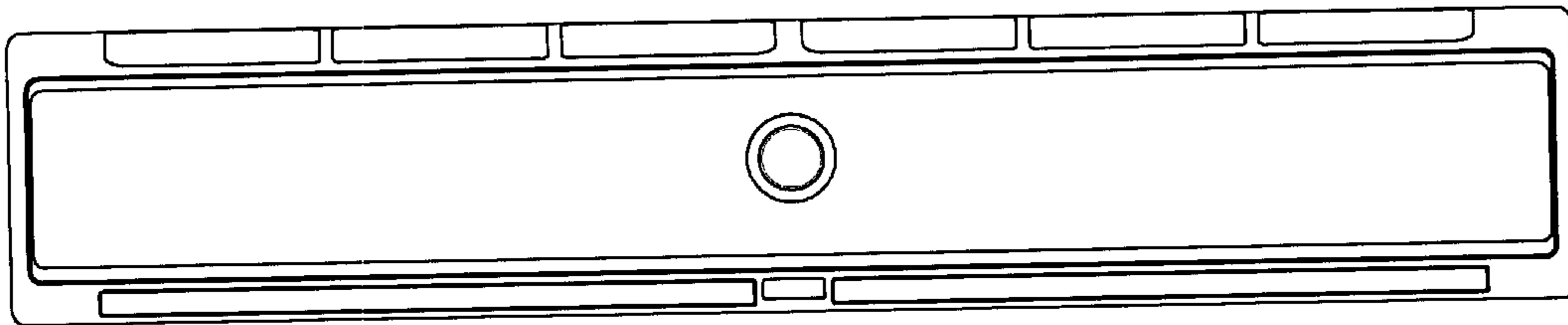


FIG. 3

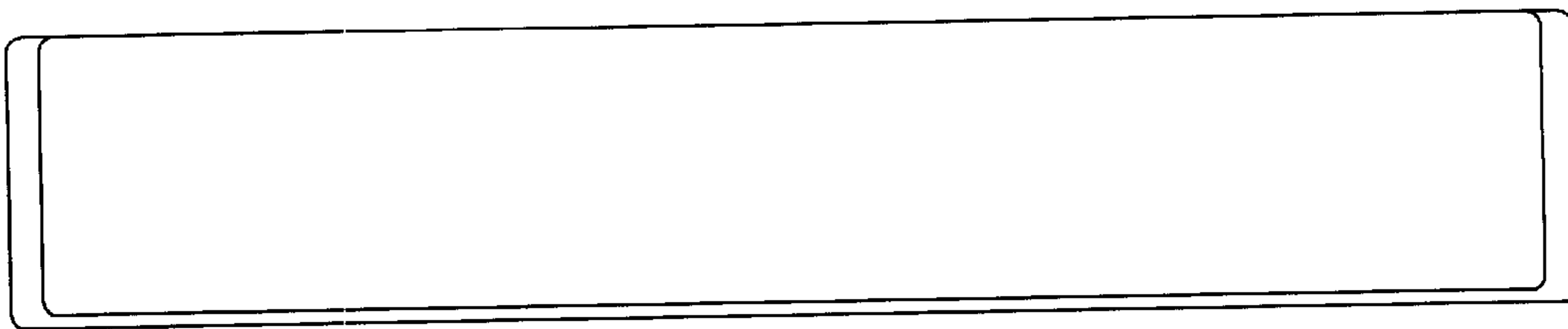


FIG. 4

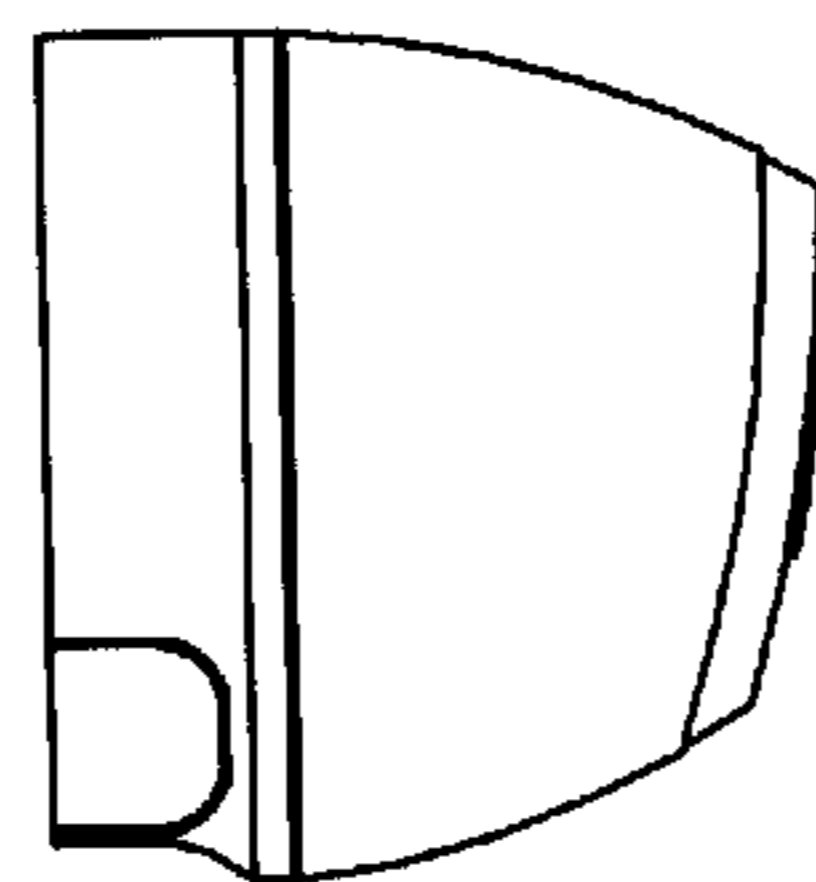


FIG. 5

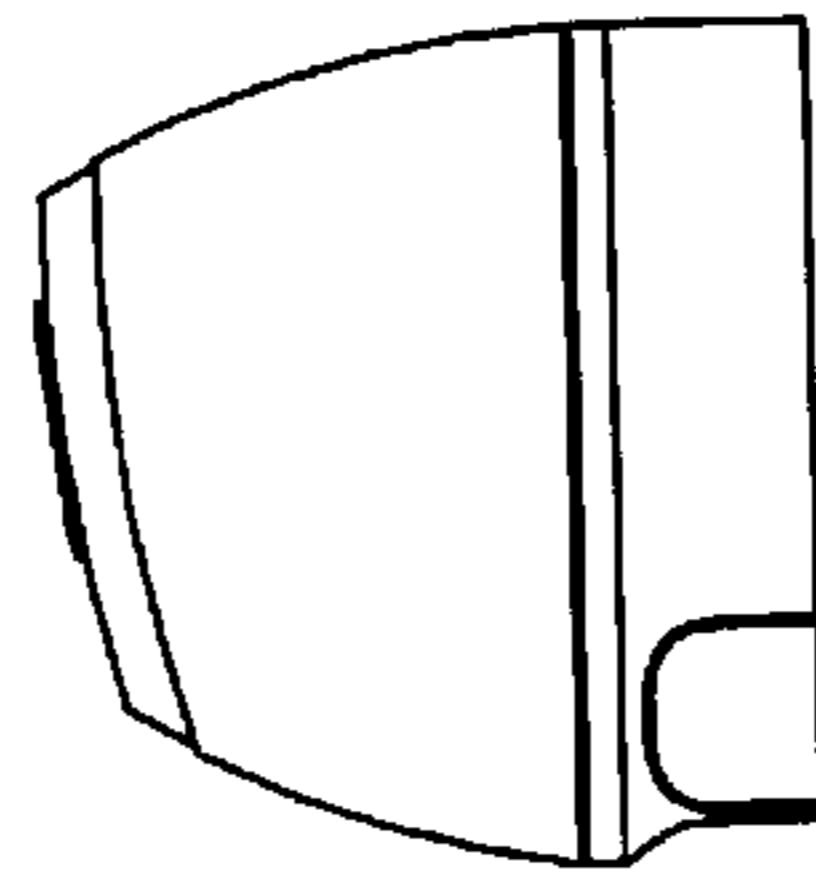


FIG. 6

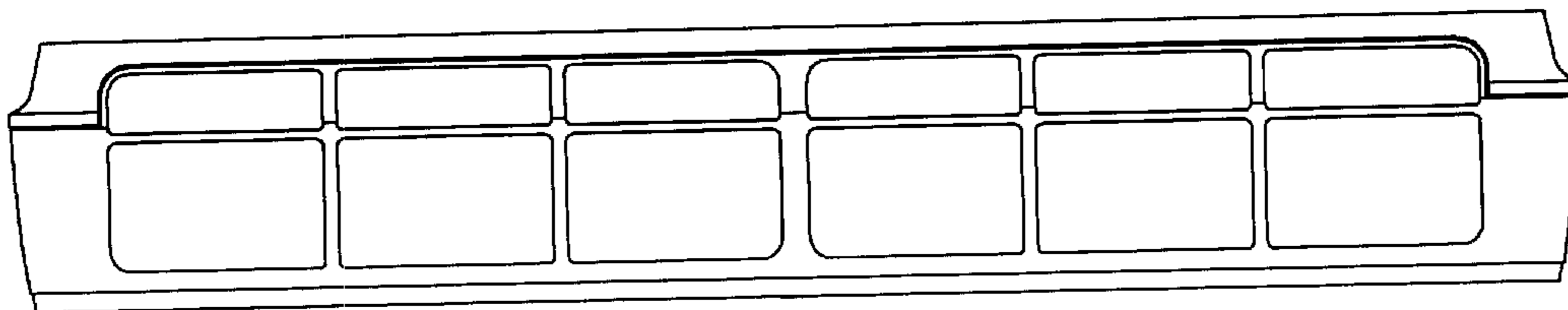


FIG. 7

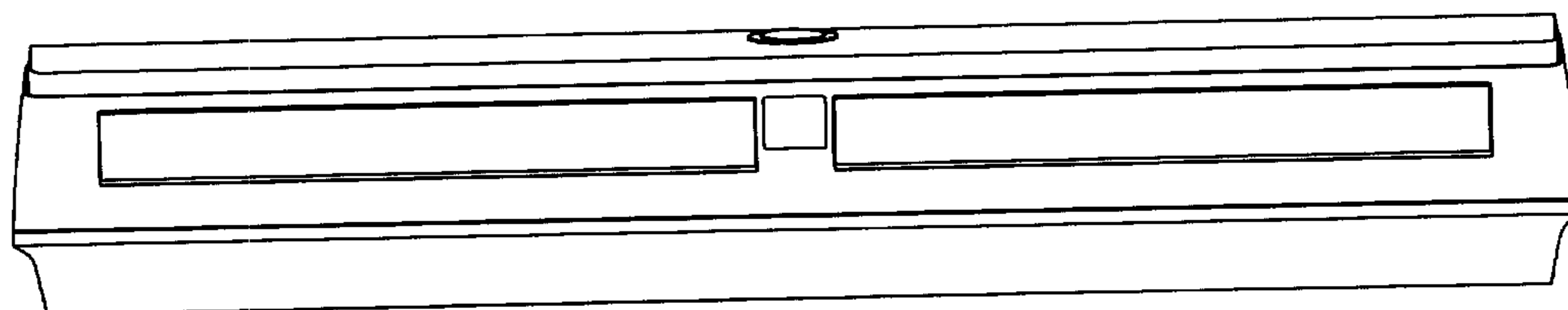


FIG. 8

