



US00D539404S

(12) **United States Design Patent**  
**Nagahori**

(10) **Patent No.:** **US D539,404 S**

(45) **Date of Patent:** **\*\* Mar. 27, 2007**

(54) **AIR CONDITIONER**

(75) Inventor: **Masataka Nagahori**, Tokyo (JP)

(73) Assignee: **Mitsubishi Denki Kabushiki Kaisha**,  
Tokyo (JP)

(\*\*) Term: **14 Years**

(21) Appl. No.: **29/253,258**

(22) Filed: **Feb. 3, 2006**

(30) **Foreign Application Priority Data**

Aug. 5, 2005 (JP) ..... 2005-022823

(51) **LOC (8) Cl.** ..... **23-04**

(52) **U.S. Cl.** ..... **D23/351**

(58) **Field of Classification Search** ..... D23/351-354;  
62/259.1, 259.4, 262-263, 285, 298; 312/236;  
165/58; 454/292, 305, 339, 349  
See application file for complete search history.

(56) **References Cited**

**U.S. PATENT DOCUMENTS**

- D323,209 S \* 1/1992 Fukumoto et al. .... D23/351
- D331,458 S \* 12/1992 Saito et al. .... D23/351
- D398,974 S \* 9/1998 Aihara ..... D23/351
- D401,682 S \* 11/1998 Galeazzi et al. .... D23/351

- D424,672 S \* 5/2000 Nanjo ..... D23/353
- D426,292 S \* 6/2000 Nanjo ..... D23/351
- D448,462 S \* 9/2001 Nanjo ..... D23/351
- D469,173 S \* 1/2003 Kawanori ..... D23/351

\* cited by examiner

*Primary Examiner*—Brian N Vinson

(74) *Attorney, Agent, or Firm*—Sughrue Mion, PLLC

(57) **CLAIM**

The ornamental design for an air conditioner, as shown and described.

**DESCRIPTION**

FIG. 1 is a front, top and right side perspective view of an air conditioner, showing our new design;  
 FIG. 2 is a front elevational view thereof;  
 FIG. 3 is a rear elevational view thereof;  
 FIG. 4 is a top plan view thereof;  
 FIG. 5 is a bottom plan view thereof;  
 FIG. 6 is a left side elevational view thereof;  
 FIG. 7 is a right side elevational view thereof;  
 FIG. 8 is a cross-sectional view thereof, taken along line 8—8 of FIG. 2, with the internal system omitted; and,  
 FIG. 9 is a cross-sectional view thereof, taken along line 9—9 of FIG. 2, with the internal system omitted.

**1 Claim, 3 Drawing Sheets**

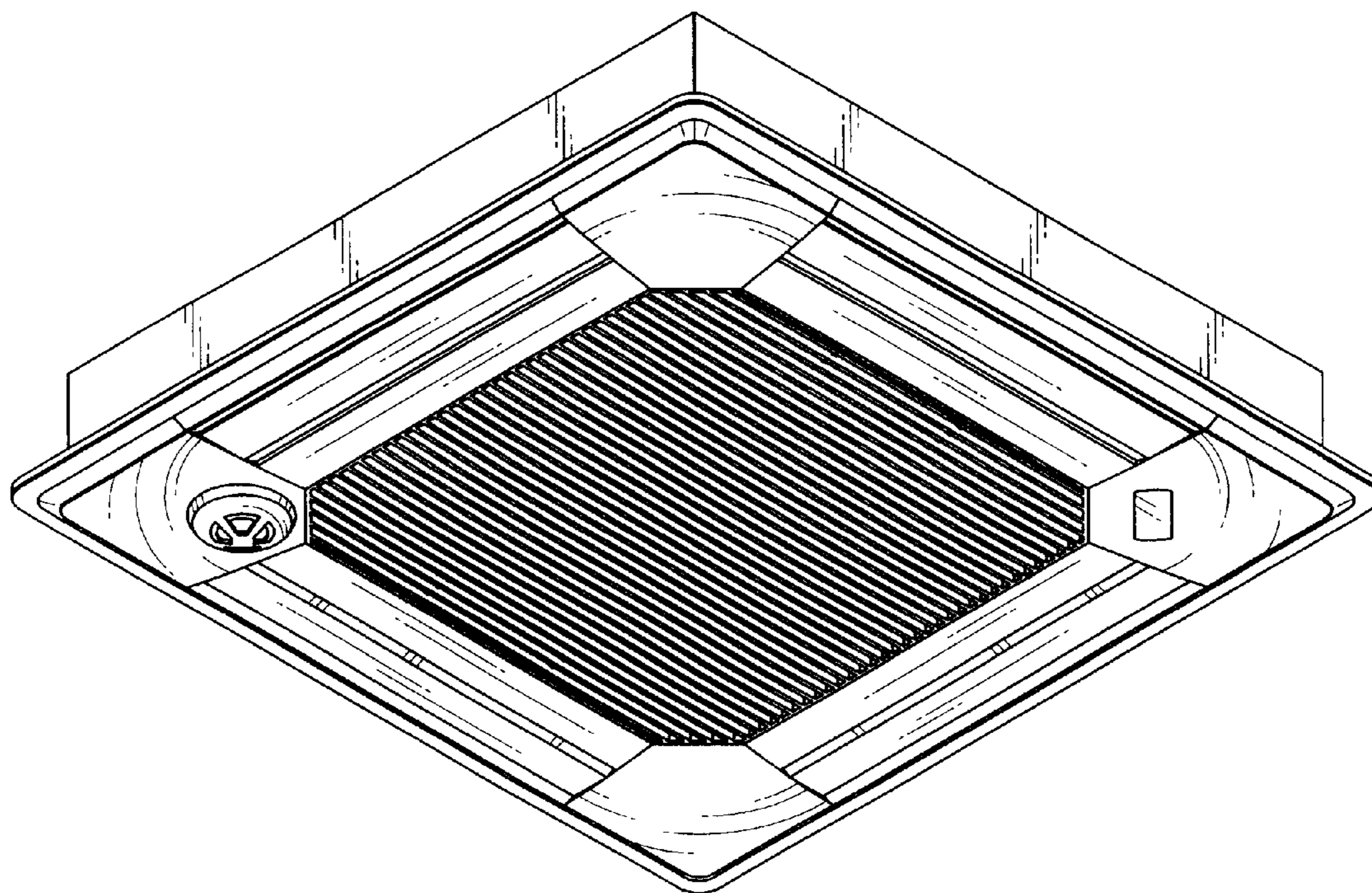


FIG.1

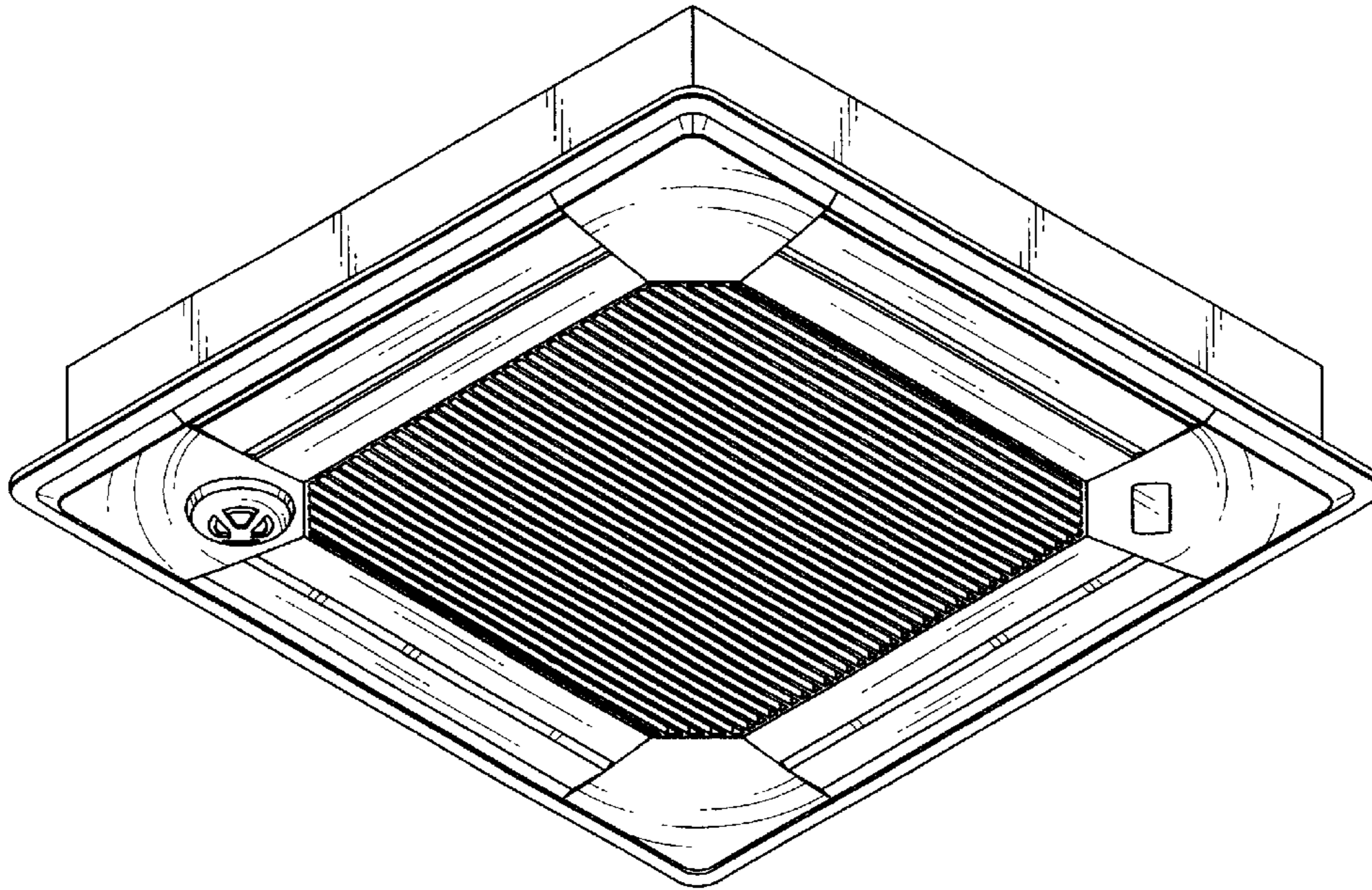


FIG.2

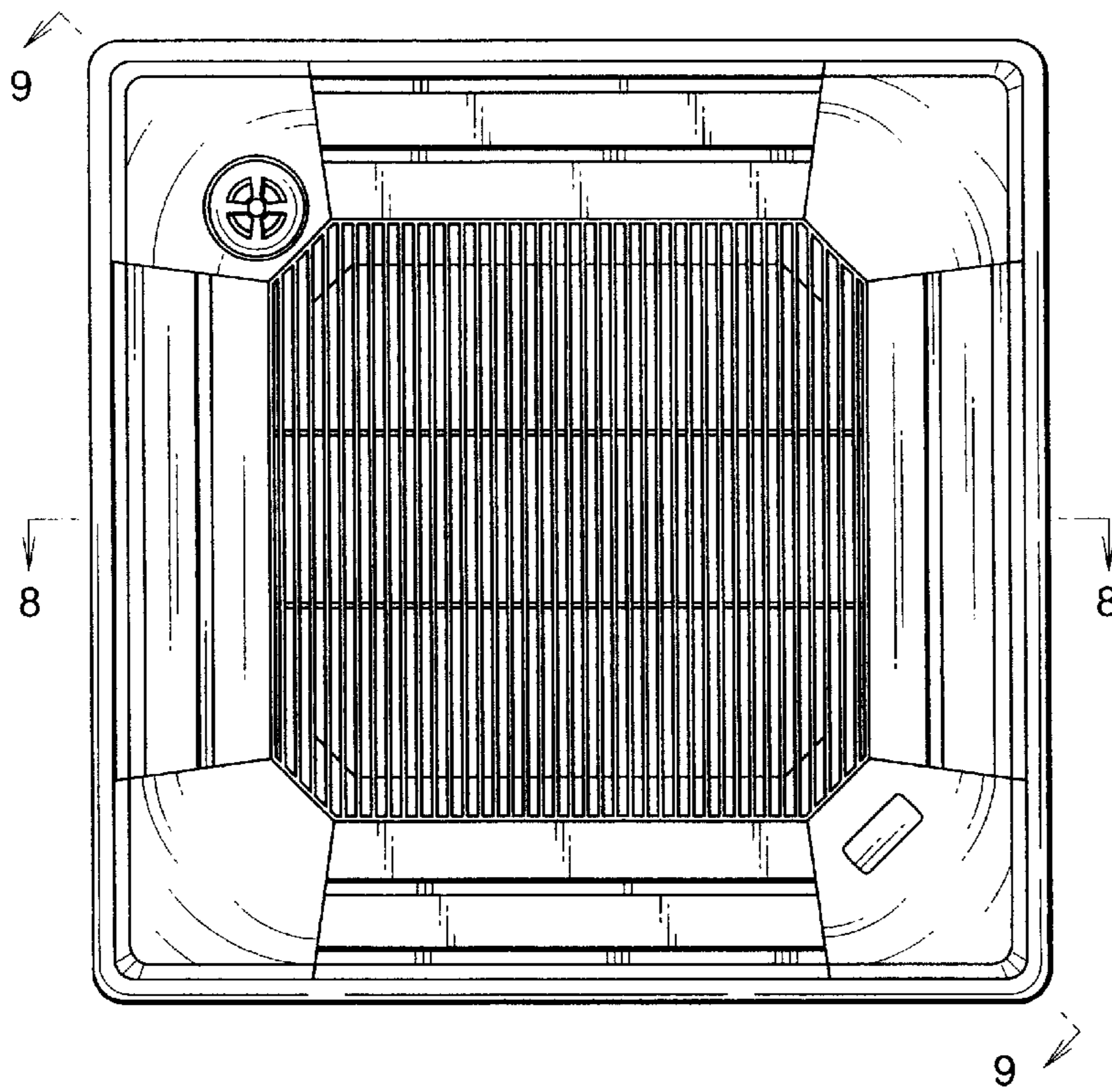


FIG.3

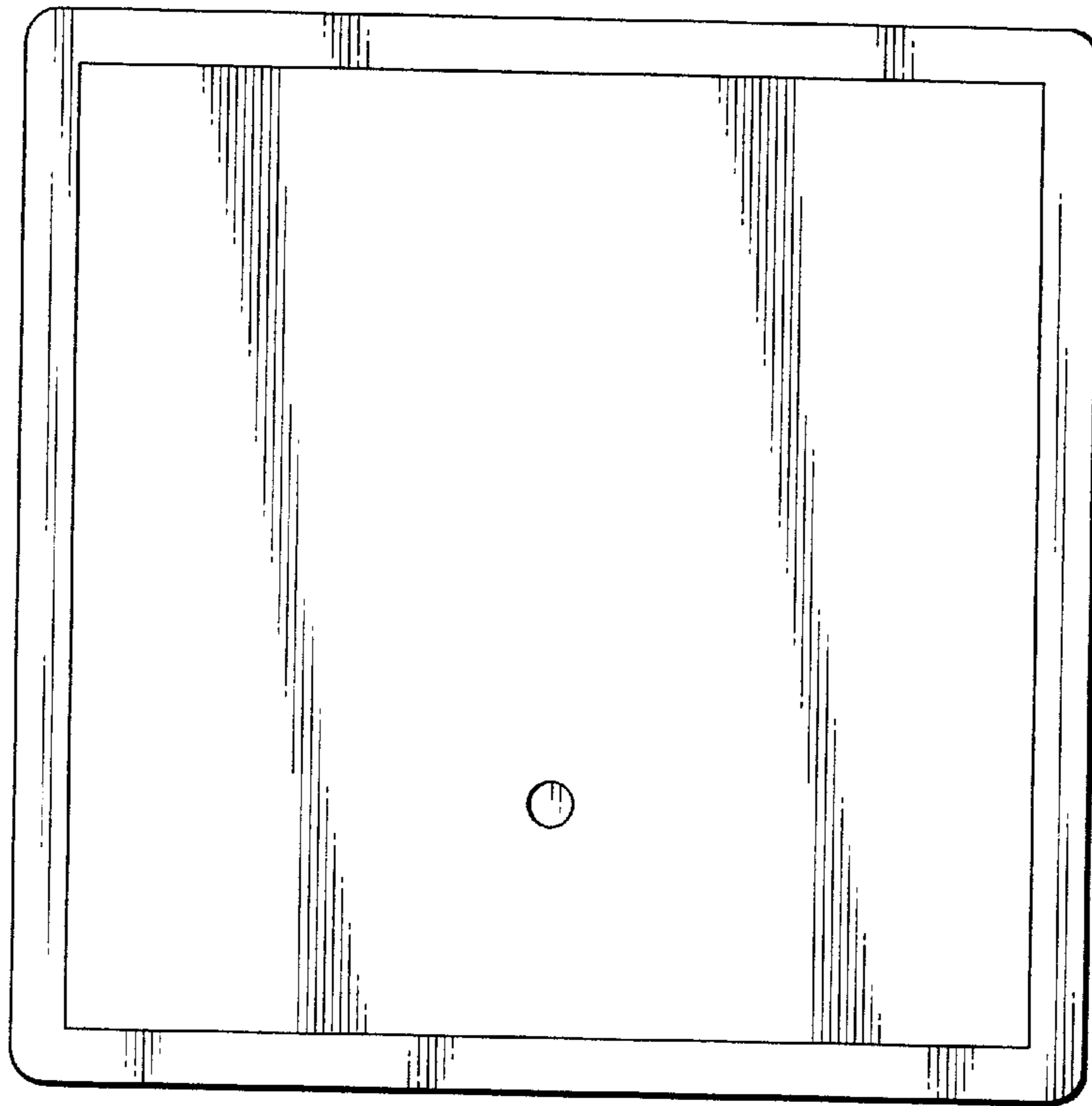


FIG.4

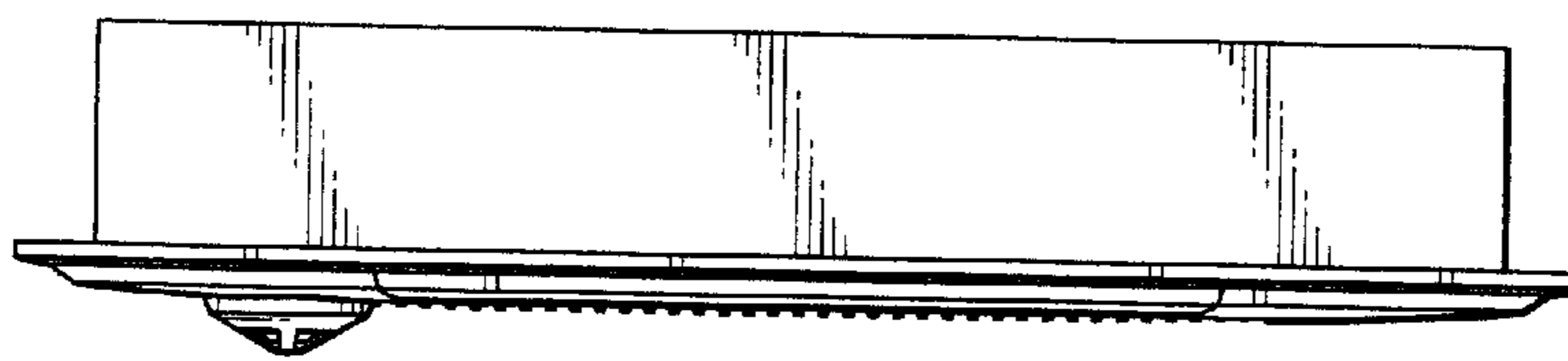


FIG.5

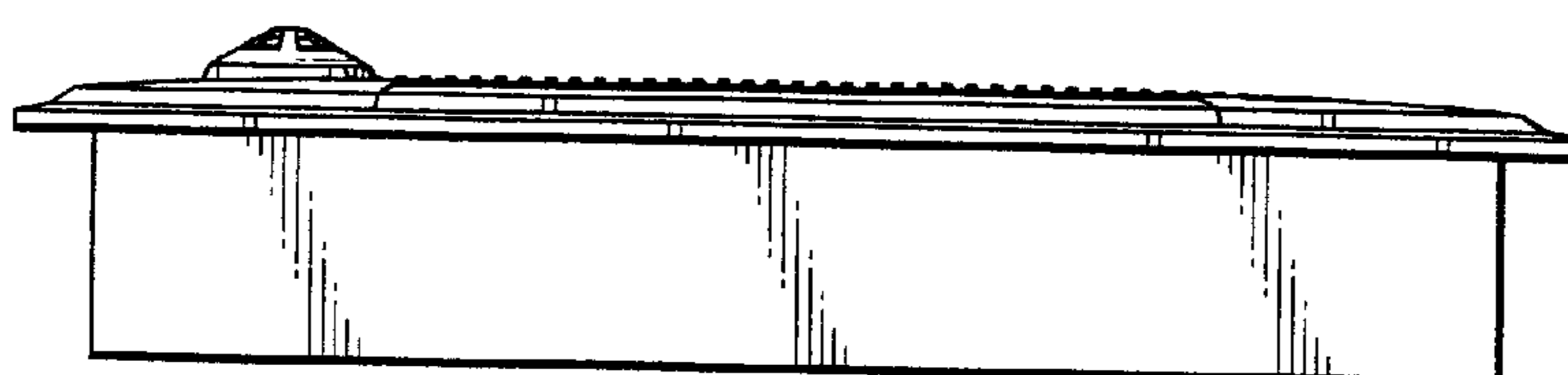


FIG.6

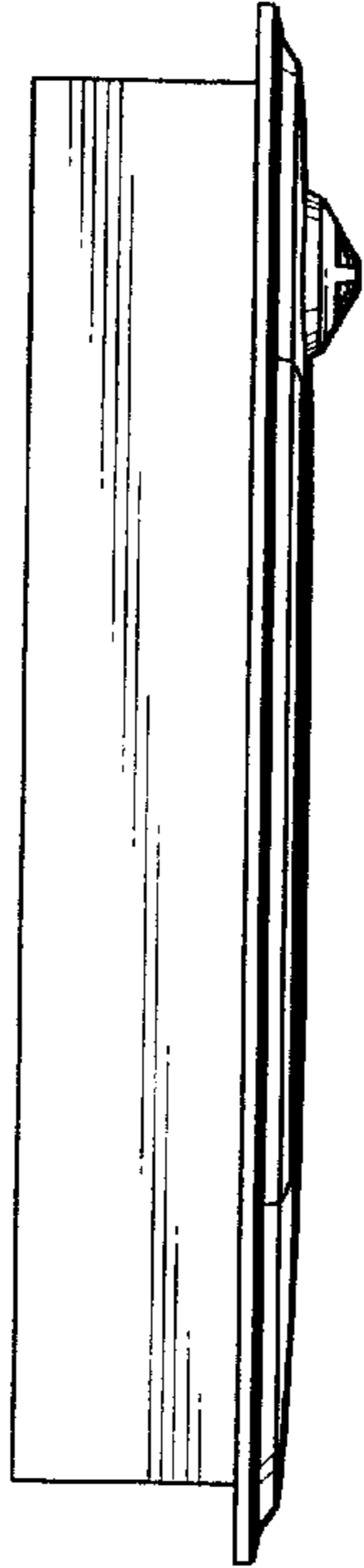


FIG.7

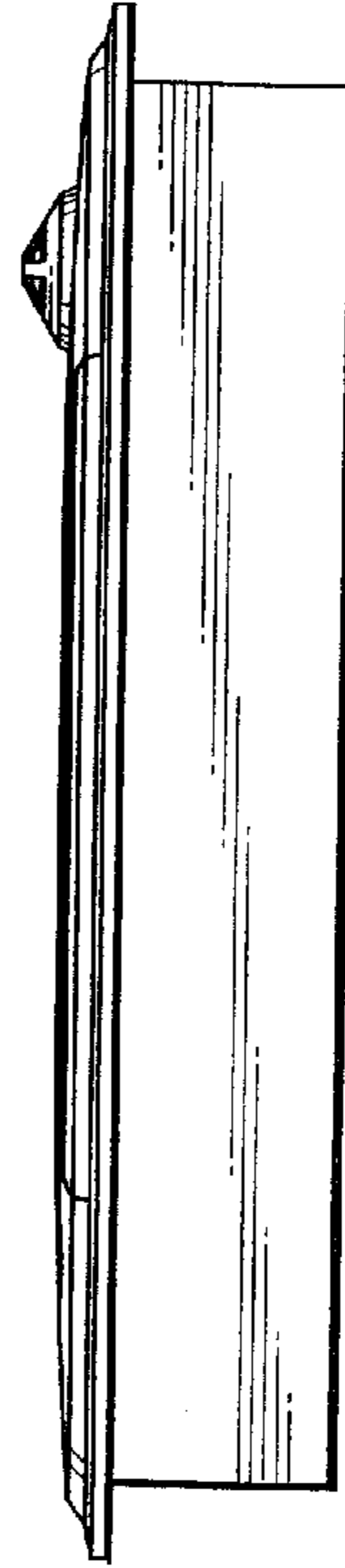


FIG.8

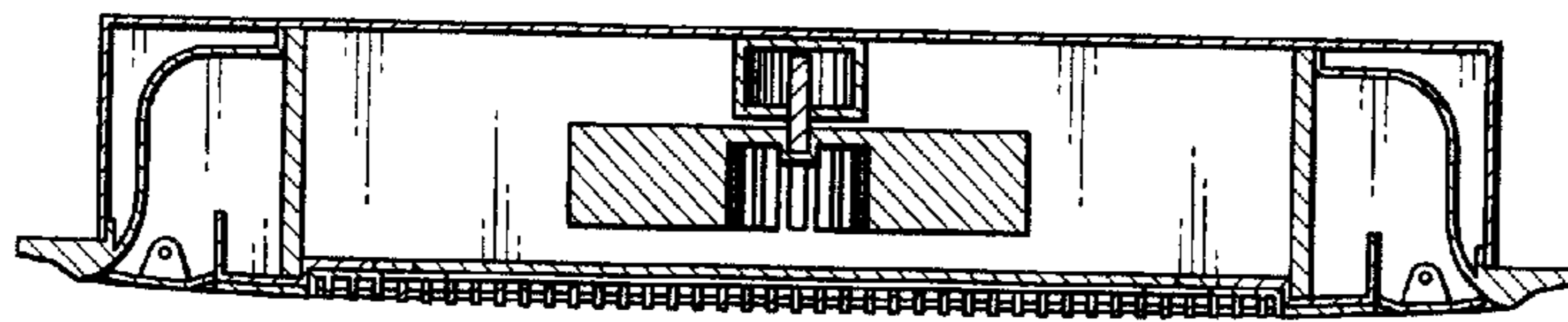


FIG.9

