



US00D539400S

(12) **United States Design Patent**
Loberger et al.

(10) **Patent No.:** **US D539,400 S**
(45) **Date of Patent:** **** Mar. 27, 2007**

(54) **LAVATORY SYSTEM**

(75) Inventors: **John M. Loberger**, Germantown, WI (US); **Graeme S. Bayley**, Brookfield, WI (US)

(73) Assignee: **Bradley Fixtures Corporation**, Menomonee Falls, WI (US)

(**) Term: **14 Years**

(21) Appl. No.: **29/264,923**

(22) Filed: **Aug. 22, 2006**

Related U.S. Application Data

(62) Division of application No. 29/240,011, filed on Jul. 1, 2005, now Pat. No. Des. 527,085, which is a continuation of application No. 29/211,613, filed on Aug. 18, 2004, now Pat. No. Des. 511,821.

(51) **LOC (8) Cl.** **23-02**

(52) **U.S. Cl.** **D23/308**

(58) **Field of Classification Search** D23/270–273, D23/286–290, 293.1, 303, 308; 4/662–665, 4/630–631, 637–643, 661; D6/511, 422, D6/483; 108/50.01

See application file for complete search history.

(56) **References Cited**

U.S. PATENT DOCUMENTS

D30,135 S	2/1899	Peet	
D36,127 S	10/1902	Madden	
D36,575 S	10/1903	Zipp	
D36,595 S	10/1903	Peet	
D74,016 S	12/1927	Levien	
D83,354 S	2/1931	Schott	
D132,243 S	4/1942	Pressman	
D134,727 S	1/1943	Weber	
2,558,443 A	* 6/1951	Krenov	4/664
5,369,818 A	12/1994	Barnum et al.	
D358,852 S	5/1995	Monneret	
5,611,093 A	3/1997	Barnum et al.	

(Continued)

OTHER PUBLICATIONS

Bradley Corporation, The Bradley Express Lavatory System, bearing a designation “© 1996 Bradley Corporation”.
Bradley Corporation, Crescent® and Image® Lavatory System, bearing a designation “1999newproducts”.
Bradley Corporation, Frequency Lavatory System, bearing a designation “© Bradley Corp 2003”.
Bradley Corporation, Plumbing Fixtures, bearing a designation “2001”.

Primary Examiner—Robert A. Delehanty

(74) *Attorney, Agent, or Firm*—Foley & Lardner LLP

(57) **CLAIM**

We claim the ornamental design for a lavatory system, as shown and described.

DESCRIPTION

FIG. 1 is a perspective view of a lavatory system according to an exemplary embodiment.

FIG. 2 is a top view of the lavatory system of FIG. 1.

FIG. 3 is a front view of the lavatory system of FIG. 1.

FIG. 4 is a rear view of the lavatory system of FIG. 1.

FIG. 5 is a bottom view of the lavatory system of FIG. 1.

FIG. 6 is a left side view of the lavatory system of FIG. 1.

FIG. 7 is a right side view of the lavatory system of FIG. 1.

FIG. 8 is a perspective view of a lavatory system according to an exemplary embodiment.

FIG. 9 is a top view of the lavatory system of FIG. 8.

FIG. 10 is a front view of the lavatory system of FIG. 8.

FIG. 11 is a rear view of the lavatory system of FIG. 8.

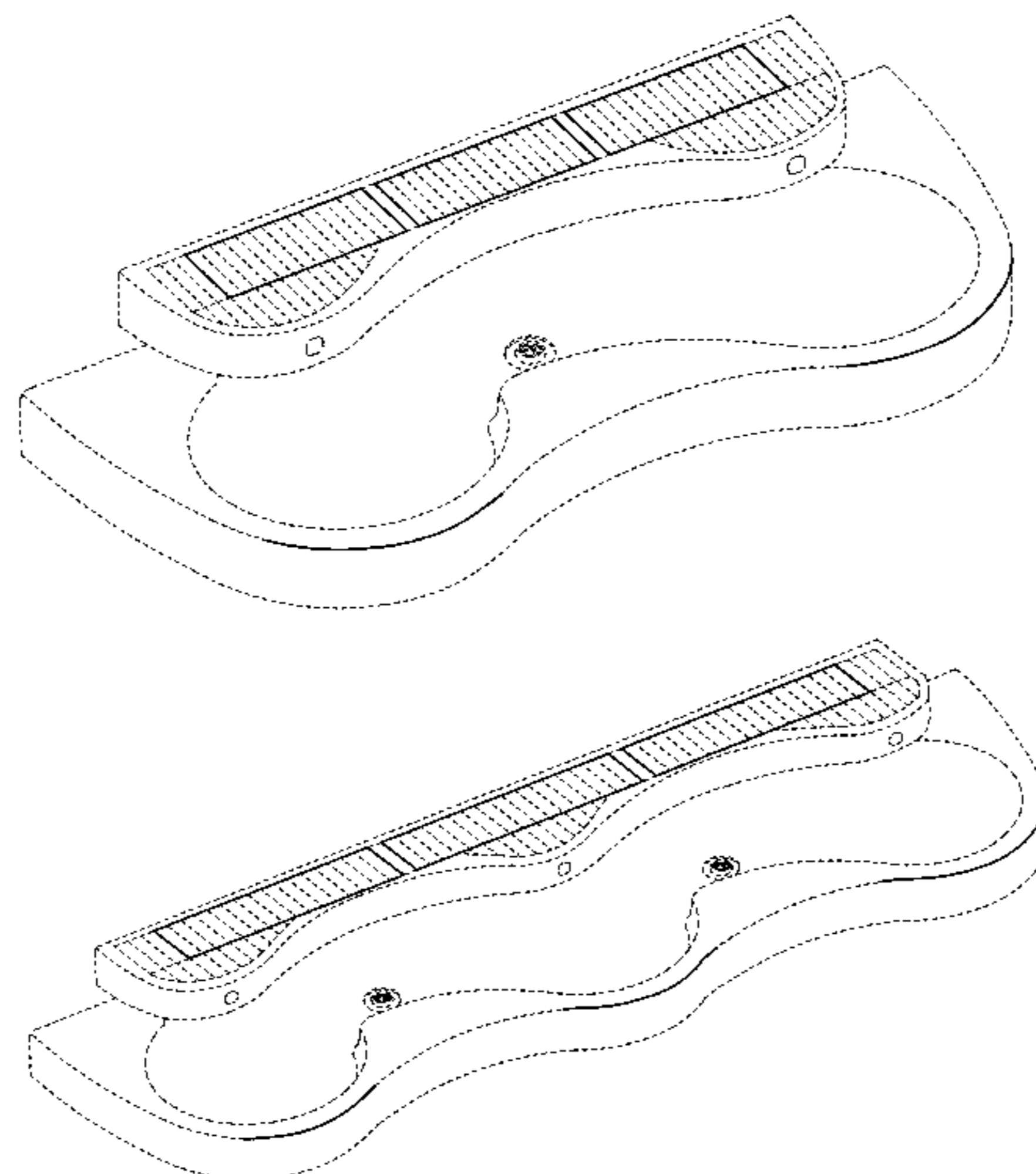
FIG. 12 is a bottom view of the lavatory system of FIG. 8.

FIG. 13 is a left side view of the lavatory system of FIG. 8; and,

FIG. 14 is a right side view of the lavatory system of FIG. 8.

The ornamental design which is claimed is shown in solid lines in the drawings. The broken lines in the drawings are for illustrative purposes only and form no part of the claimed design.

1 Claim, 8 Drawing Sheets



US D539,400 S

Page 2

U.S. PATENT DOCUMENTS			
		D447,224 S *	8/2001 Barnum et al. D23/308
		D477,060 S	7/2003 Loberger et al.
5,704,298 A	1/1998	Corpuz, Jr. et al.	
5,765,315 A	6/1998	Nagamitsu et al.	
5,855,029 A	1/1999	Flippen, Sr.	
D411,876 S *	7/1999	Hafner et al. D23/290	* cited by examiner

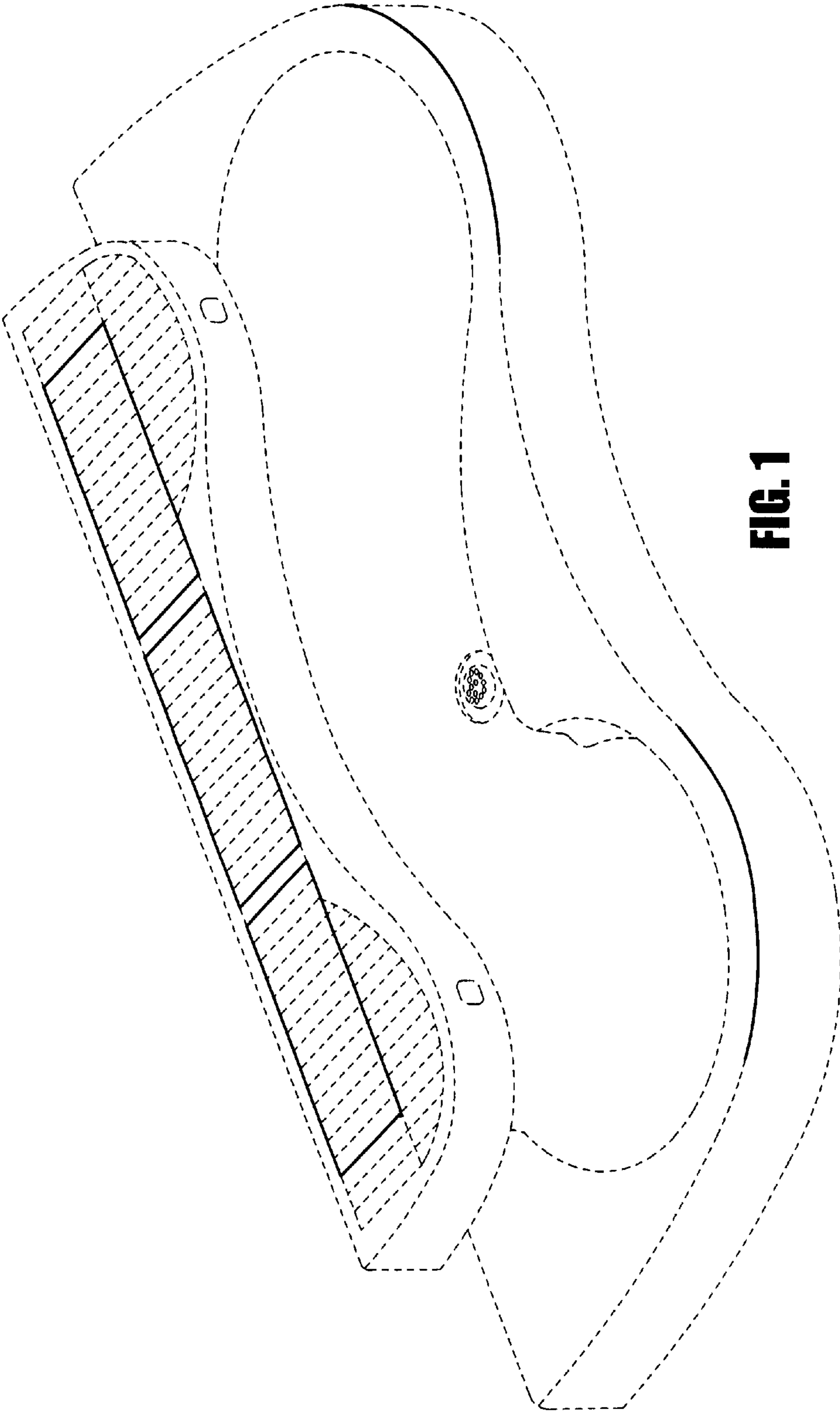


FIG. 1

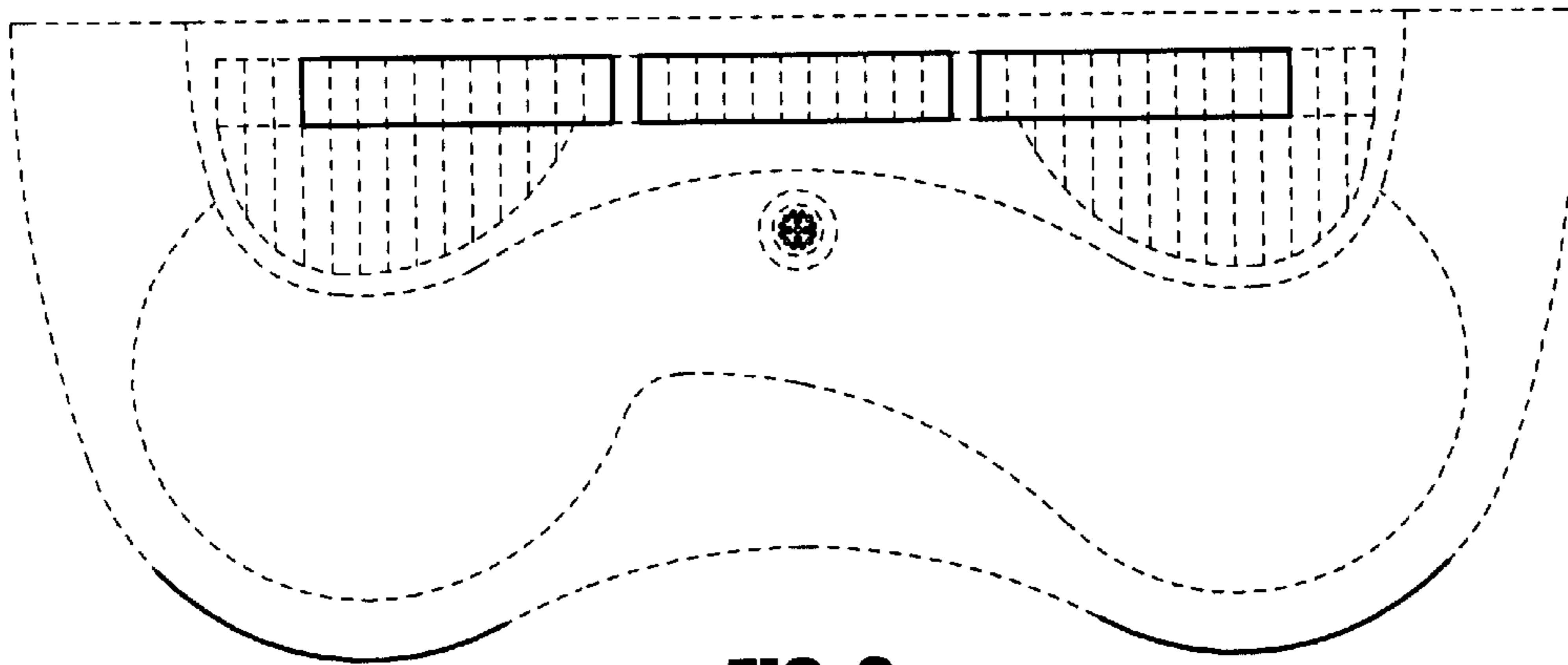


FIG. 2

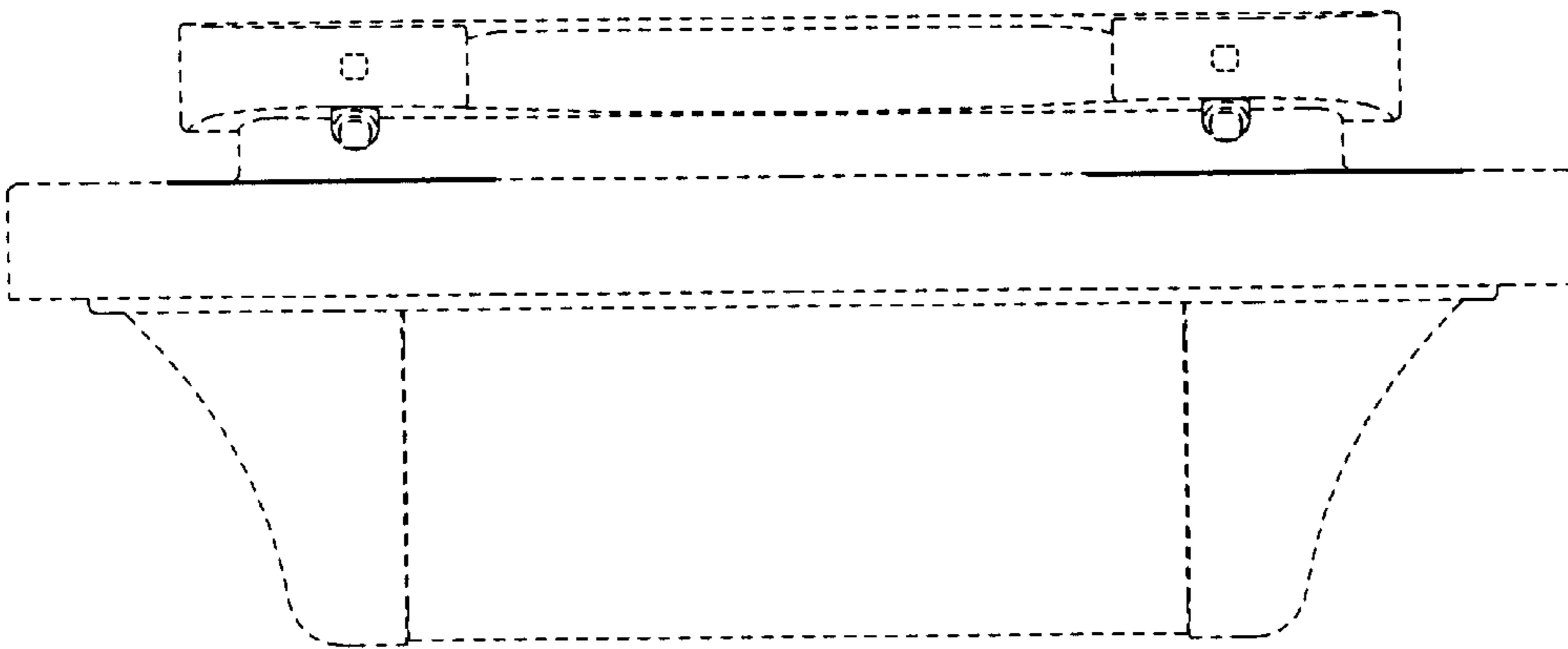


FIG. 3

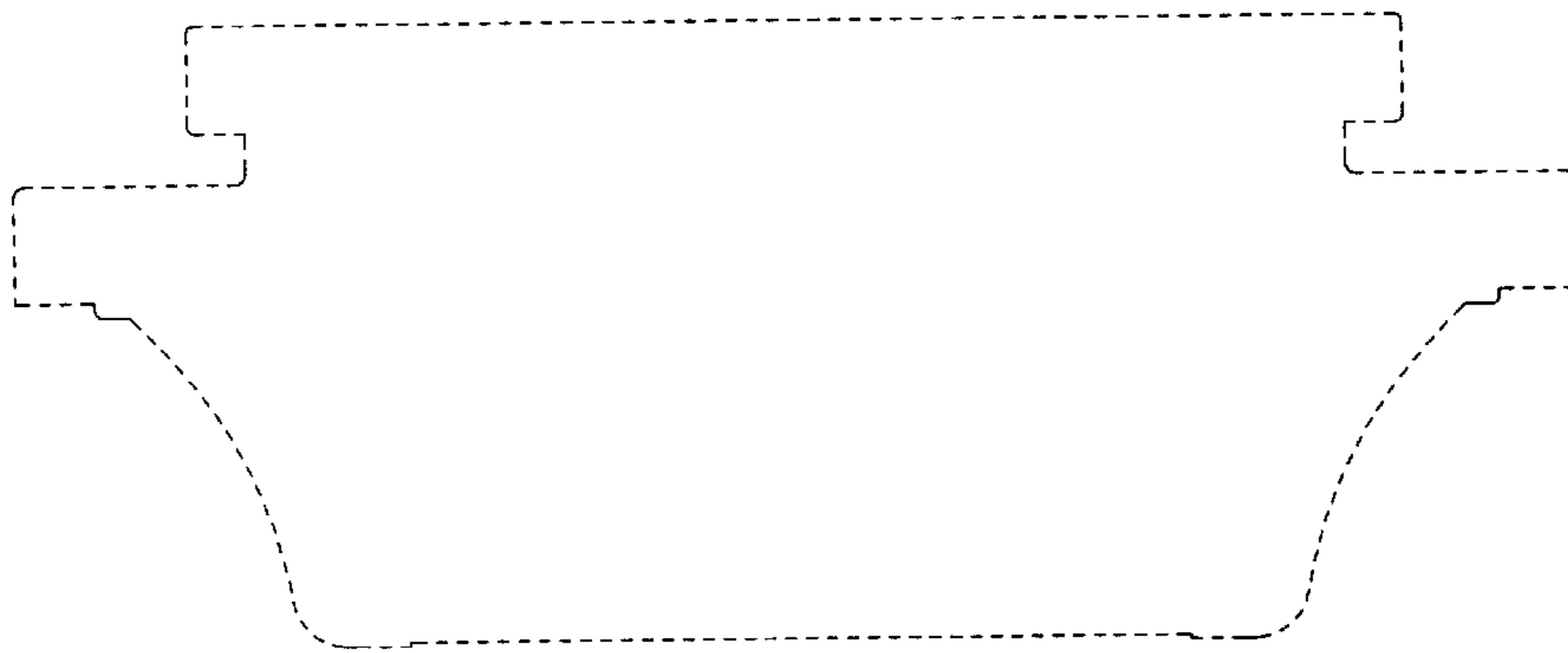


FIG. 4

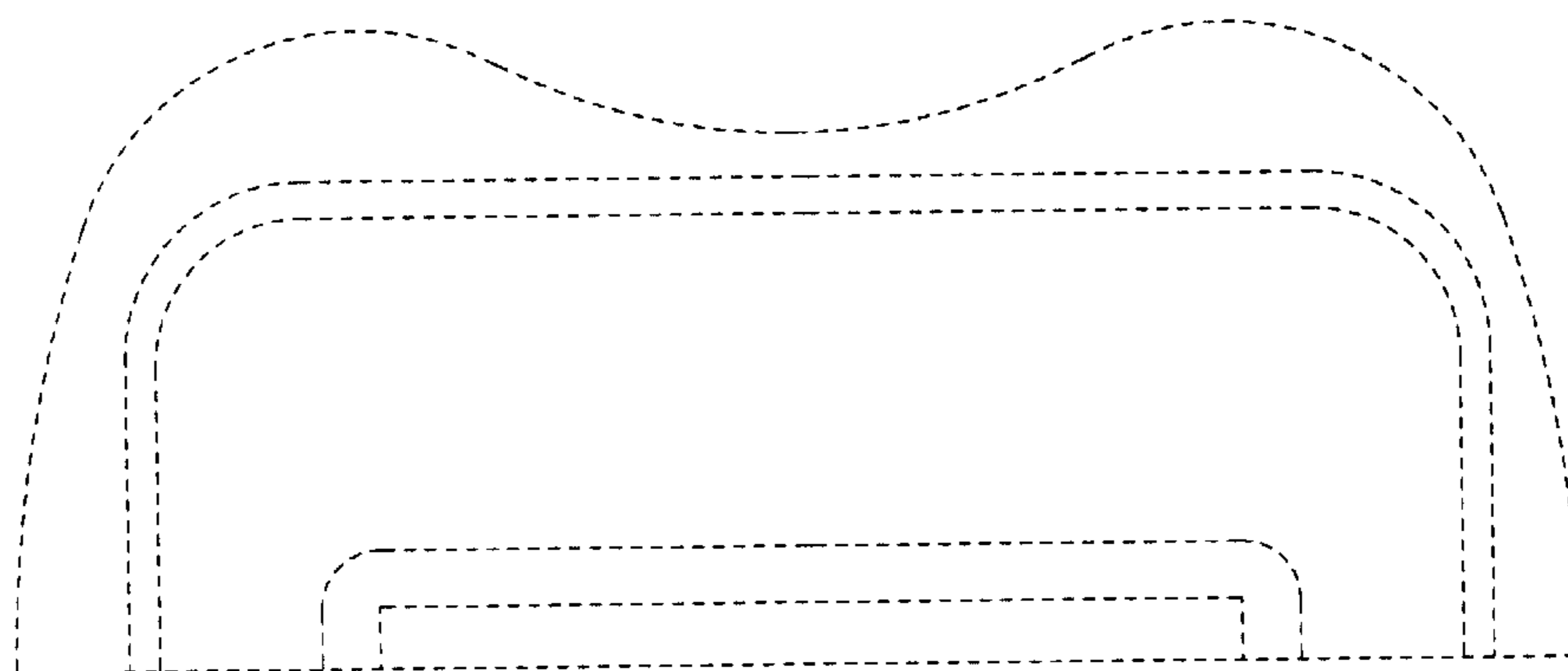


FIG. 5

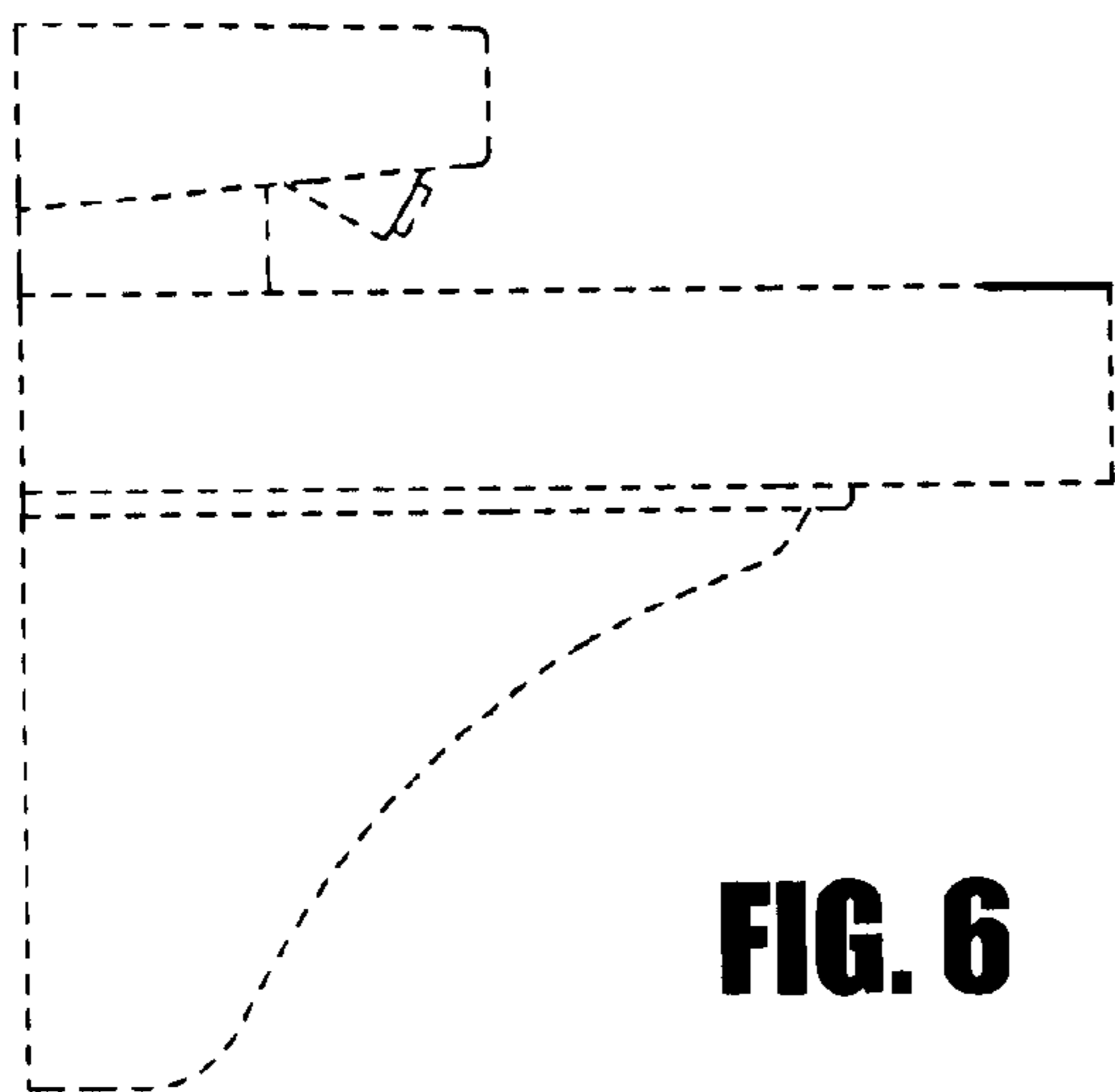


FIG. 6

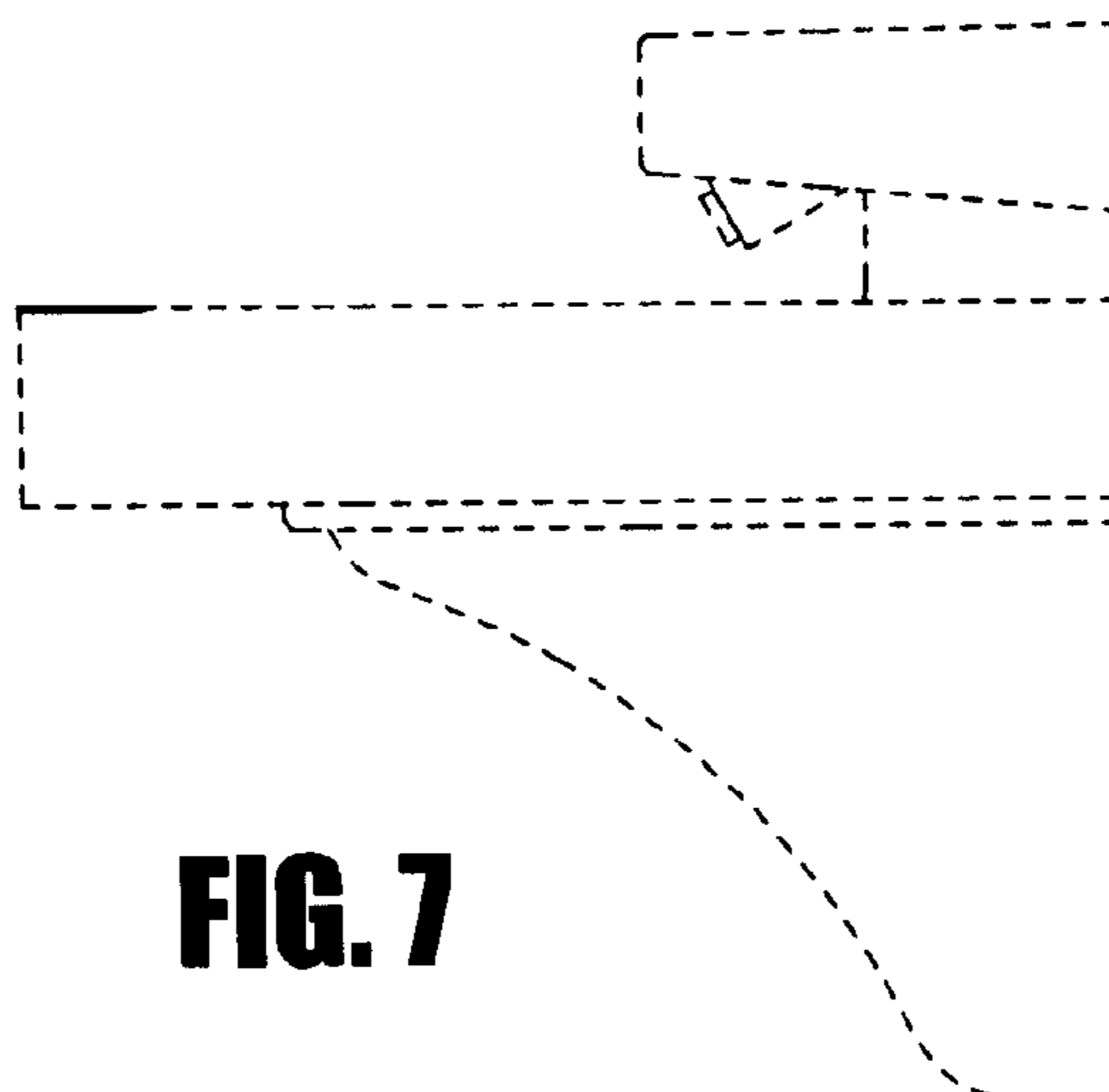


FIG. 7

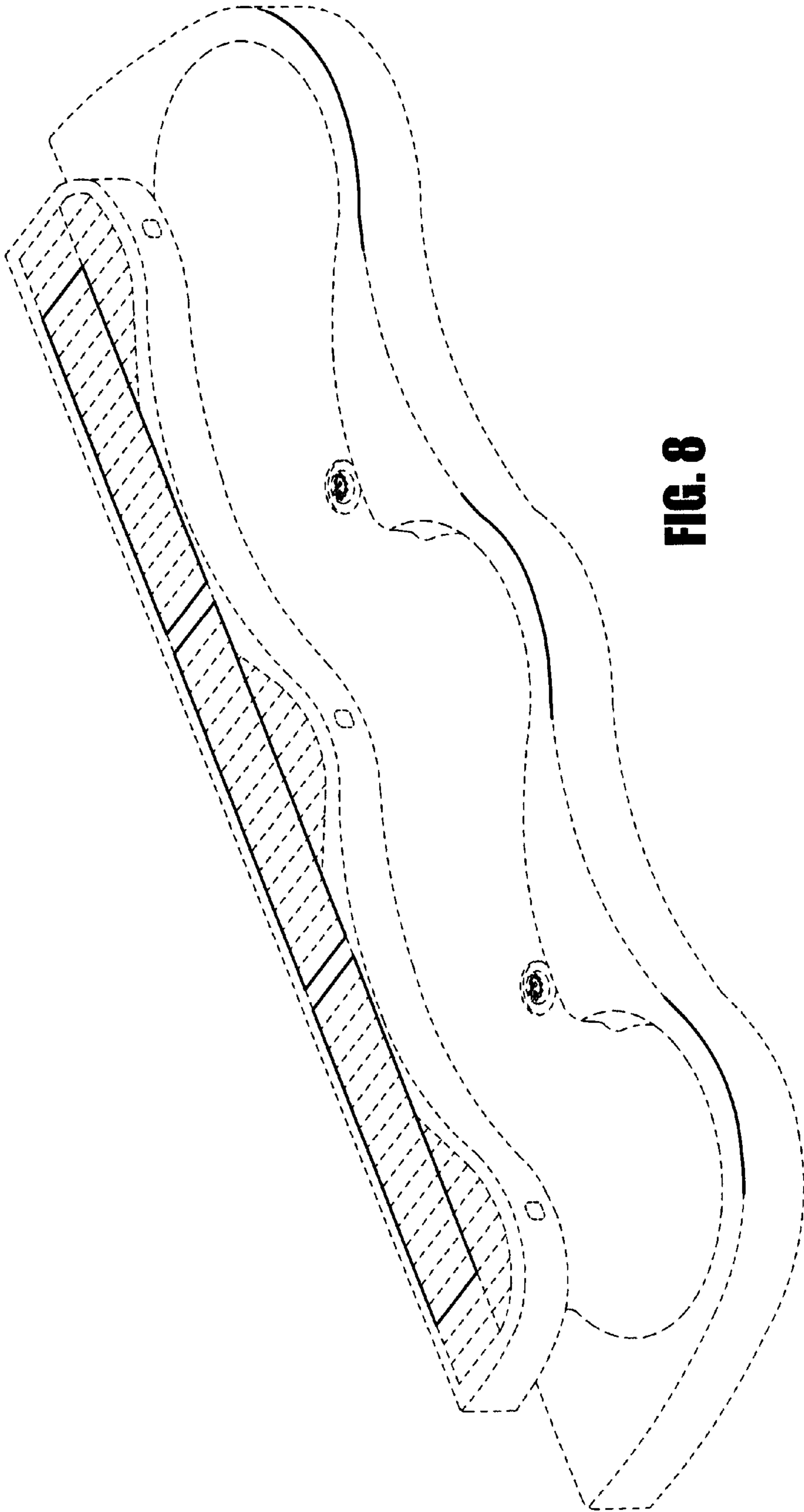


FIG. 8

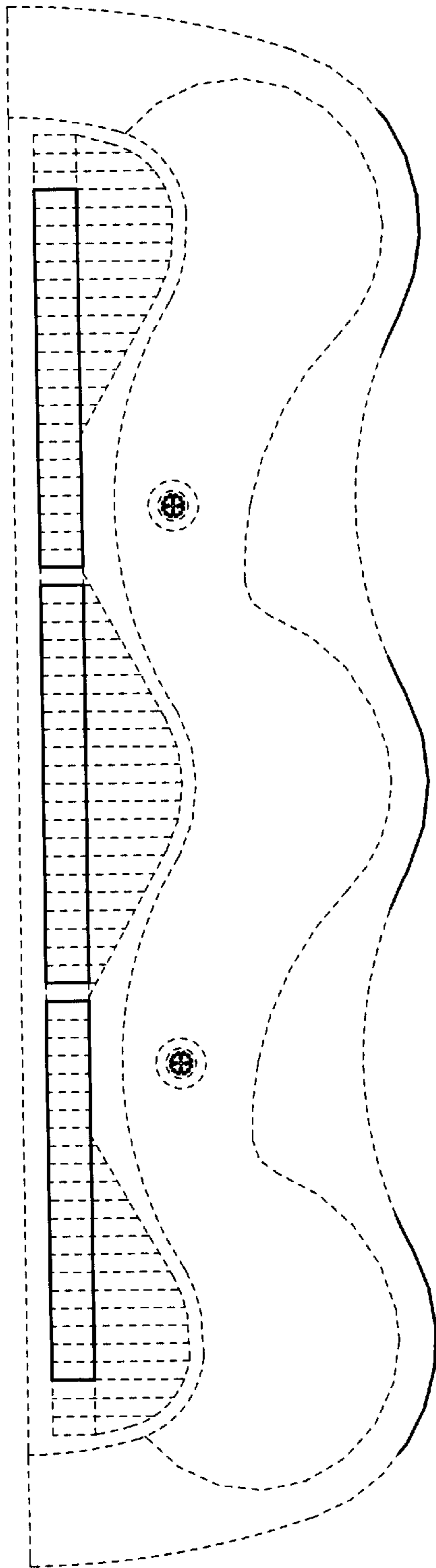


FIG. 9

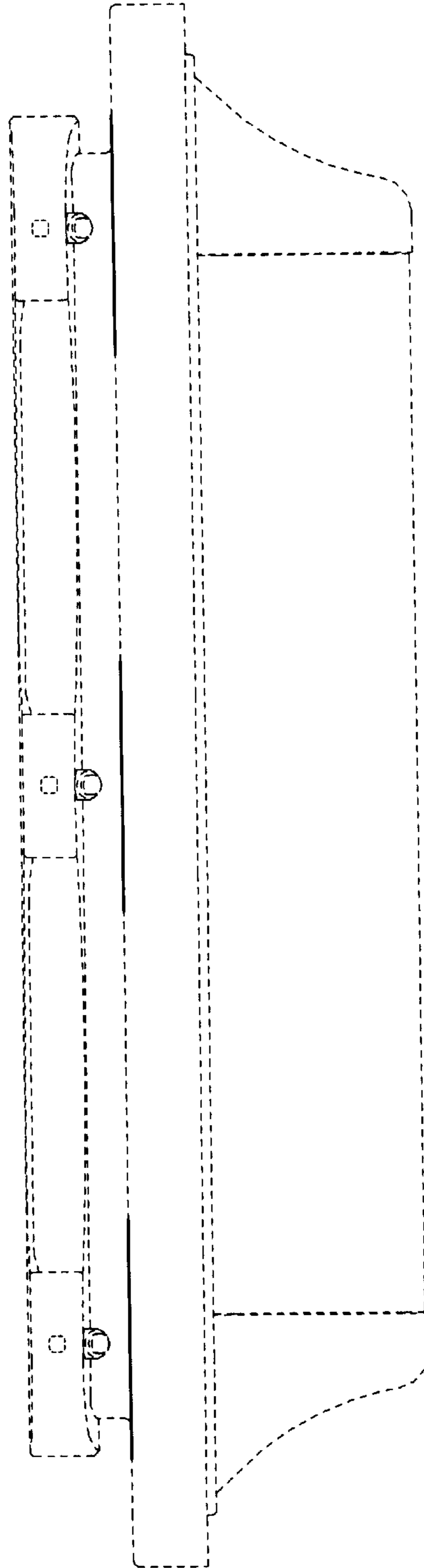


FIG. 10

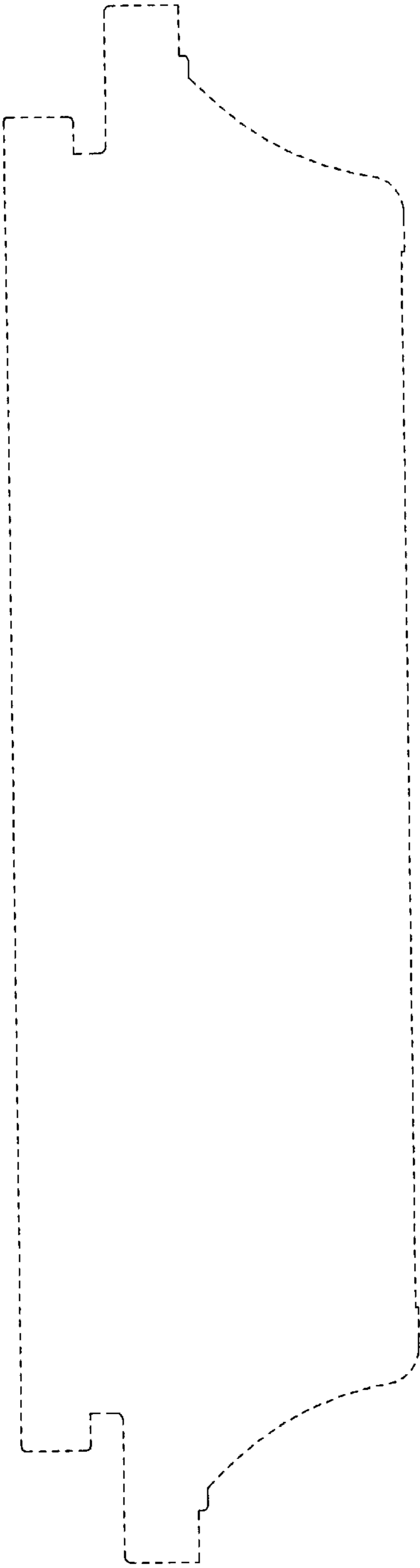


FIG. 11

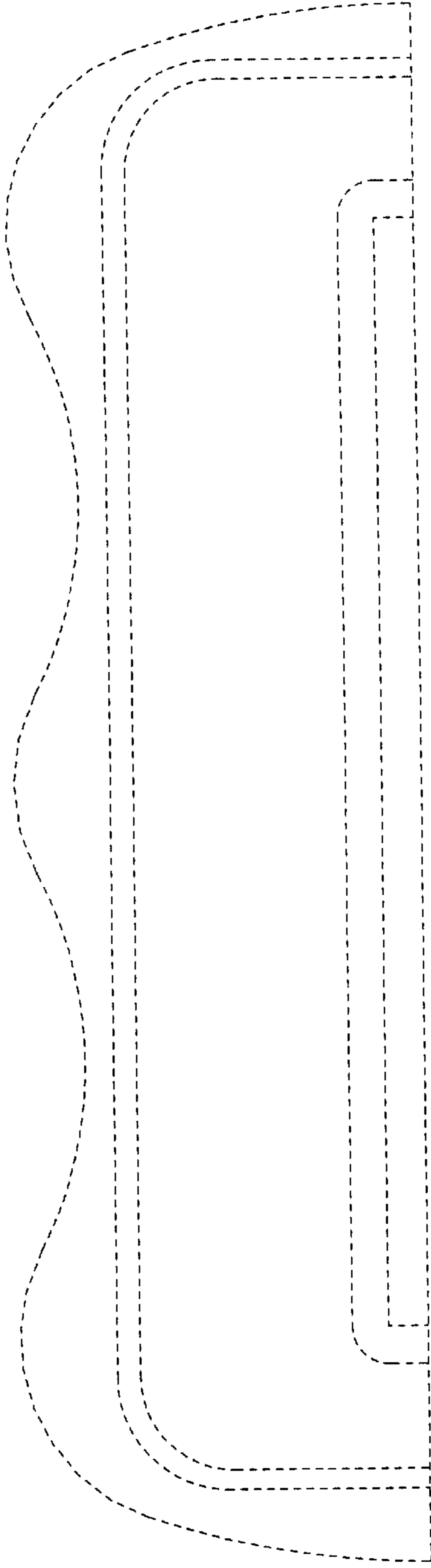


FIG. 12

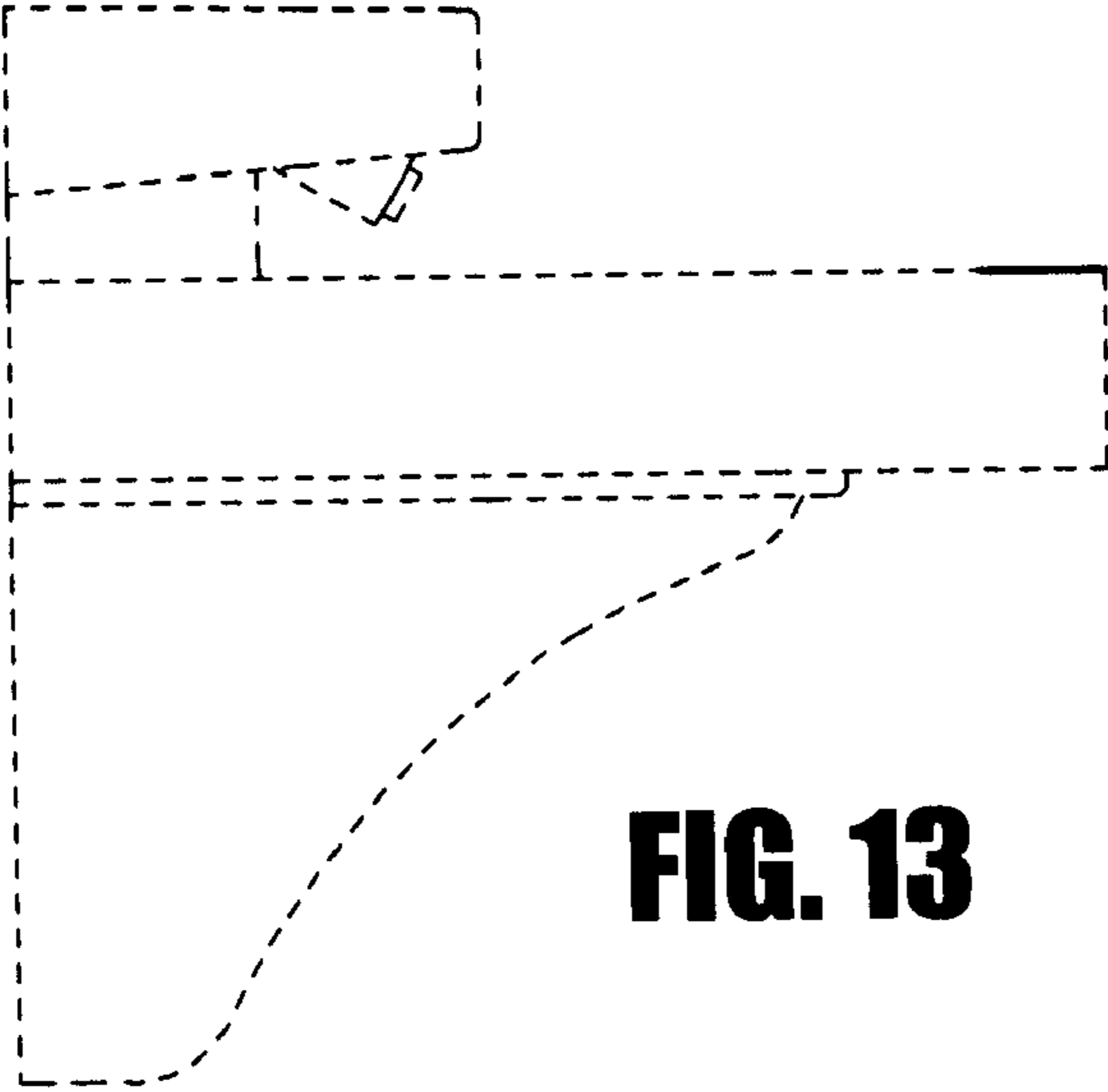


FIG. 13

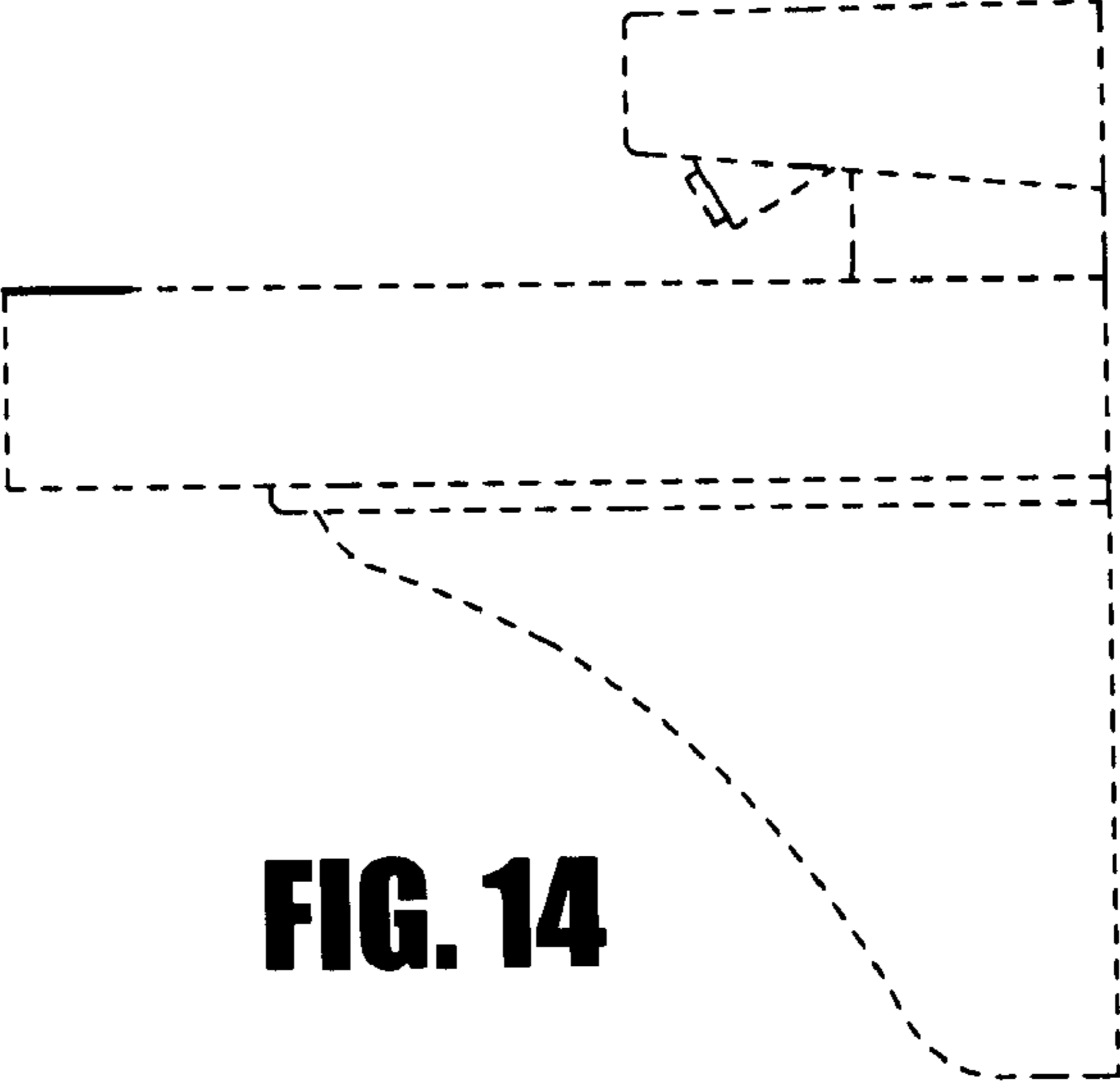


FIG. 14