

US00D539399S

(12) **United States Design Patent**
Daikubara

(10) **Patent No.:** **US D539,399 S**

(45) **Date of Patent:** **** Mar. 27, 2007**

(54) **TUB APRON**

(75) Inventor: **Mike Y. Daikubara**, Pittsburgh, PA
(US)

(73) Assignee: **Kohler Co.**, Kohler, WI (US)

(**) Term: **14 Years**

(21) Appl. No.: **29/251,683**

(22) Filed: **Jan. 11, 2006**

(51) **LOC (8) Cl.** **23-02**

(52) **U.S. Cl.** **D23/306**

(58) **Field of Classification Search** D23/271,
D23/273, 275-277, 280.1, 303-306; D24/204-205;
4/538, 571.1-573.1, 575.1, 584-586, 589,
4/661, 545-546, 592-593

See application file for complete search history.

(56) **References Cited**

U.S. PATENT DOCUMENTS

D443,681 S * 6/2001 Primucci et al. D23/277
D514,206 S * 1/2006 Bates D23/277

OTHER PUBLICATIONS

The Swan Corporation, Bathtub, Catalog page, Form
#450-11-86-50M, St. Louis, Missouri.

American Standard, Colony 5' Whirlpool w/Integral Apron.
Jacuzzi Inc., International Designer Collection, Copyright
1996, p. 18, Walnut Creek, California.

* cited by examiner

Primary Examiner—Robert A. Delehanty

(74) *Attorney, Agent, or Firm*—Quarles & Brady LLP

(57) **CLAIM**

The ornamental design for a tub apron, as shown and
described.

DESCRIPTION

In a preferred embodiment, the nature of this product is as
an apron structure for a plumbing fixture such as a bathing
tub.

FIG. 1 is a right, top, front perspective view of a tub apron
according to my new design showing tub environment in
phantom;

FIG. 2 is a front elevational view thereof without the tub
environment;

FIG. 3 is a rear elevational view thereof;

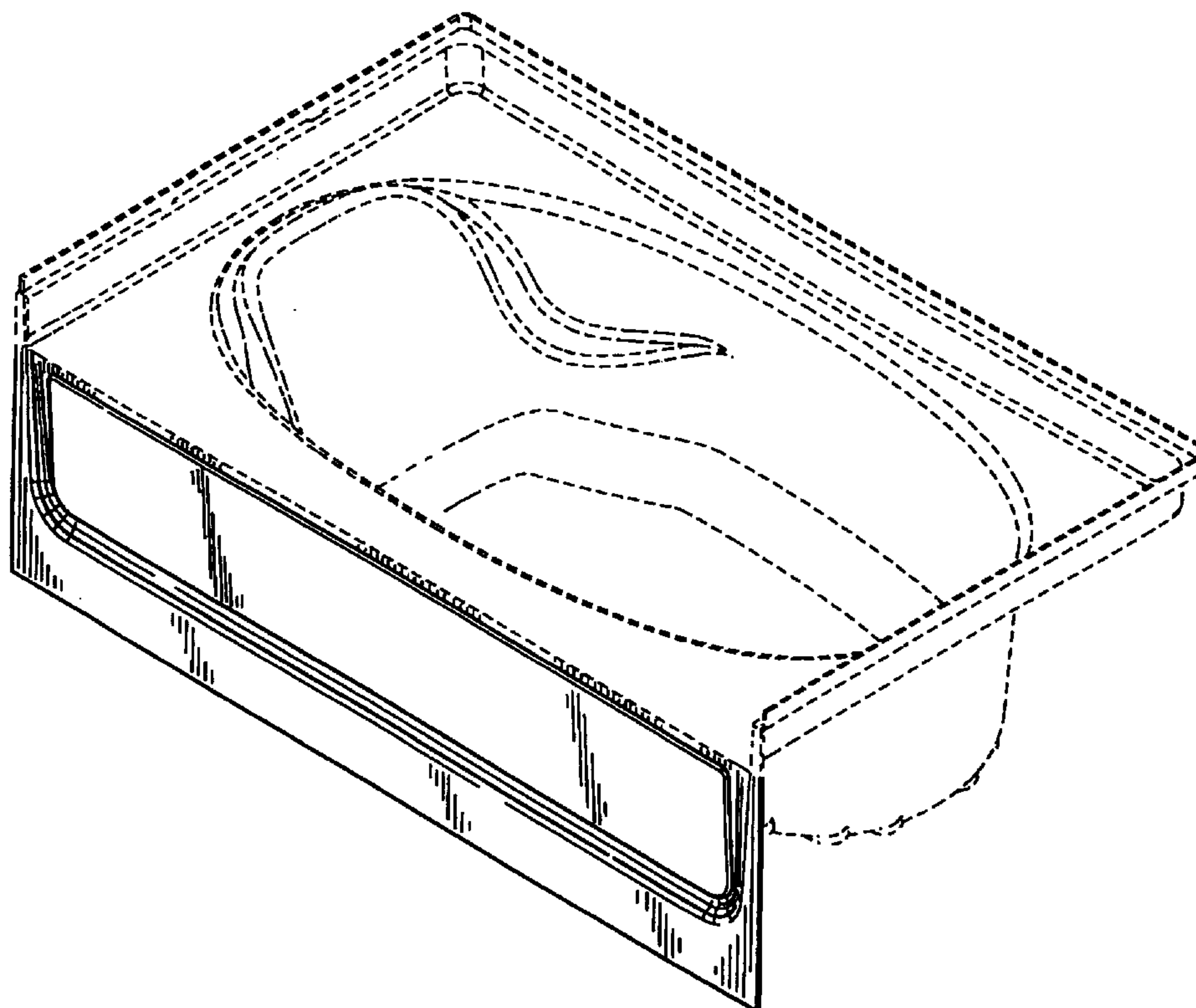
FIG. 4 is a right side elevational view thereof, the left side
elevational view thereof being a mirror image of the right
side shown;

FIG. 5 is a top plan view thereof; and,

FIG. 6 is a bottom plan view thereof.

The broken line representations of tub environment in FIG.
1, and apron wall structure in FIGS. 2-6 are for the purpose
of illustration only, and form no part of the claimed design.

1 Claim, 3 Drawing Sheets



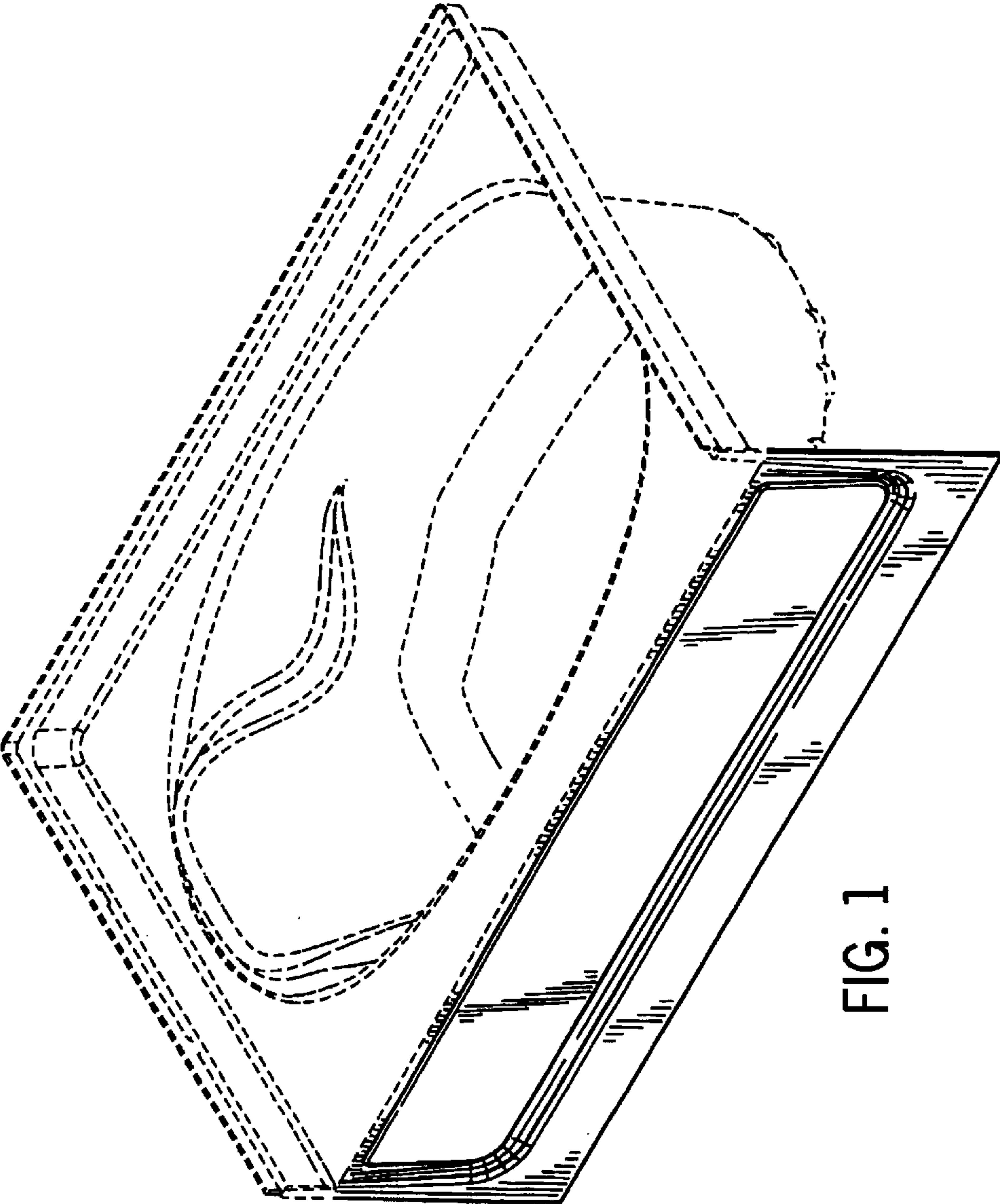


FIG. 1

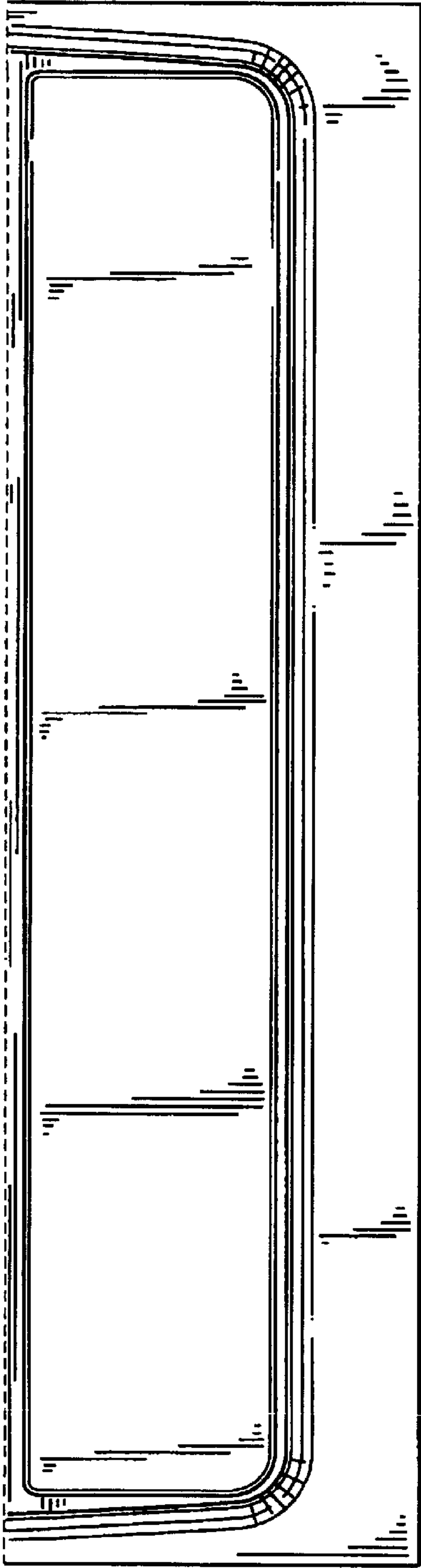


FIG. 2

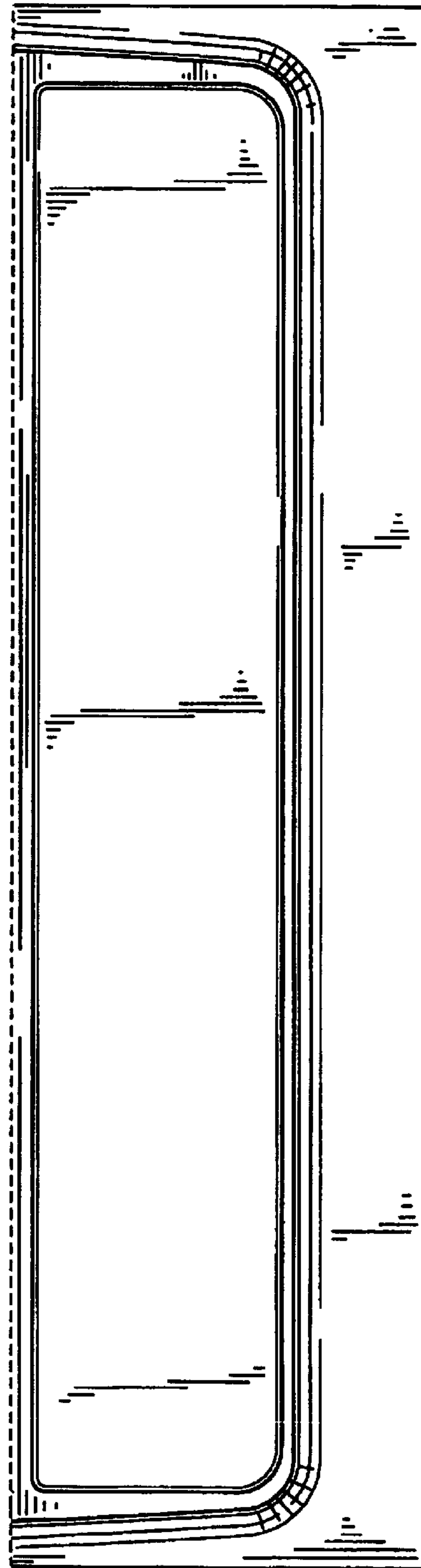


FIG. 3



FIG. 4



FIG. 5



FIG. 6