



US00D539397S

(12) **United States Design Patent**  
**Fritz**

(10) **Patent No.:** **US D539,397 S**

(45) **Date of Patent:** **\*\* Mar. 27, 2007**

(54) **FLUSH TOILET**

(75) Inventor: **Michael B. Fritz**, Dexter, MI (US)

(73) Assignee: **Thetford Corporation**, Ann Harbor, MI (US)

(\*\*) Term: **14 Years**

(21) Appl. No.: **29/194,586**

(22) Filed: **Nov. 26, 2003**

(51) **LOC (8) Cl.** ..... **23-02**

(52) **U.S. Cl.** ..... **D23/299**

(58) **Field of Classification Search** ..... D23/273-274,  
D23/295-301, 303, 309, 313; 4/663-665,  
4/300-300.3, 312-313, 328-329, 353, 420,  
4/443-446, 449, 459-460, 479-480, 902,  
4/905, DIG. 11, DIG. 12, DIG. 15  
See application file for complete search history.

(56) **References Cited**

**U.S. PATENT DOCUMENTS**

D484,957 S \* 1/2004 Grech et al. .... D23/295  
D513,429 S \* 1/2006 Fritz ..... D23/299

\* cited by examiner

*Primary Examiner*—Robert A. Delehanty  
(74) *Attorney, Agent, or Firm*—Harness, Dickey & Pierce, P.L.C.

(57) **CLAIM**

The ornamental design for a flush toilet, as shown and described.

**DESCRIPTION**

FIG. 1 is a front, top and left side perspective view of a flush toilet showing our new design.

FIG. 2 is a front side view thereof.

FIG. 3 is a left side view thereof.

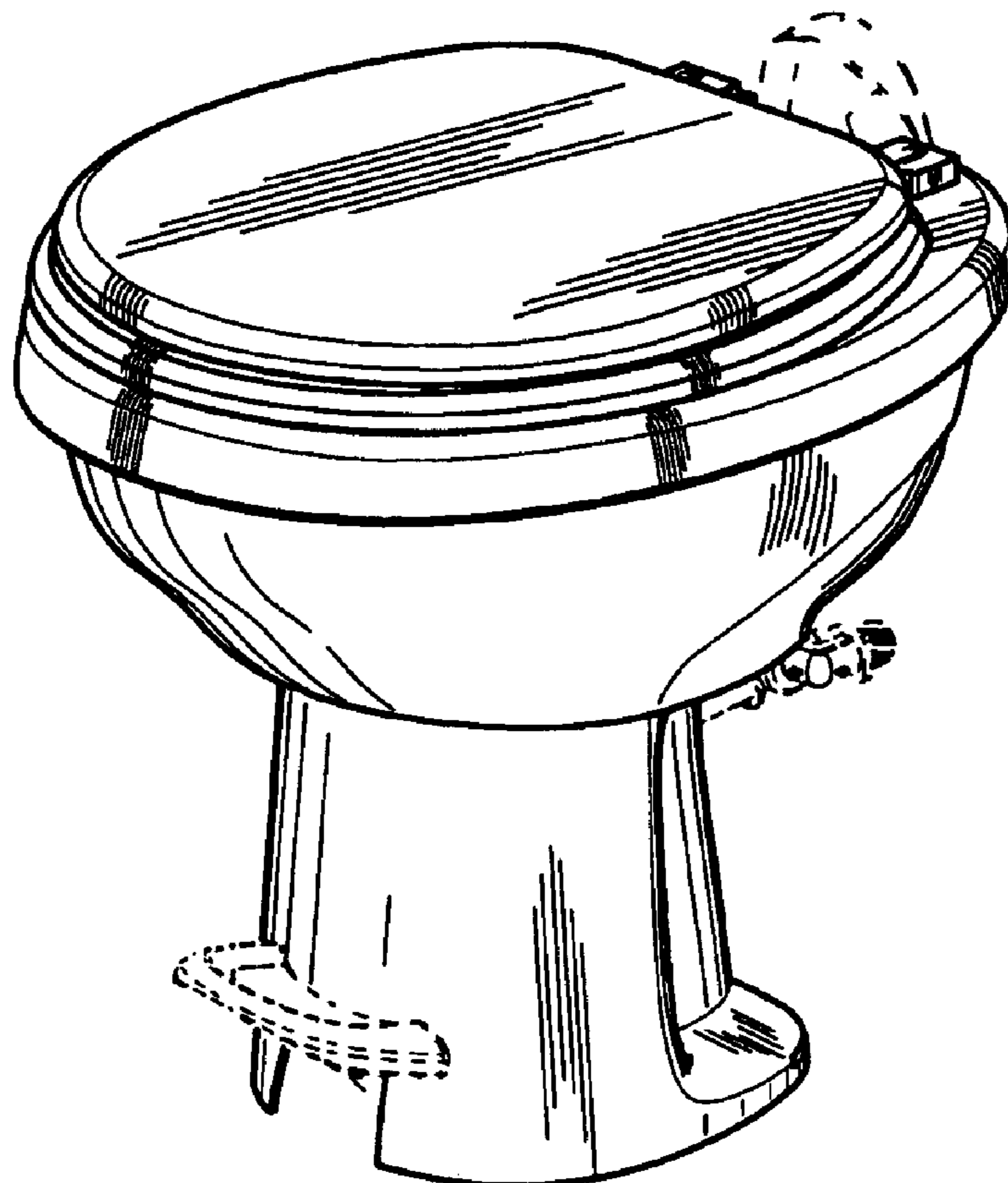
FIG. 4 is a right side view thereof; and,

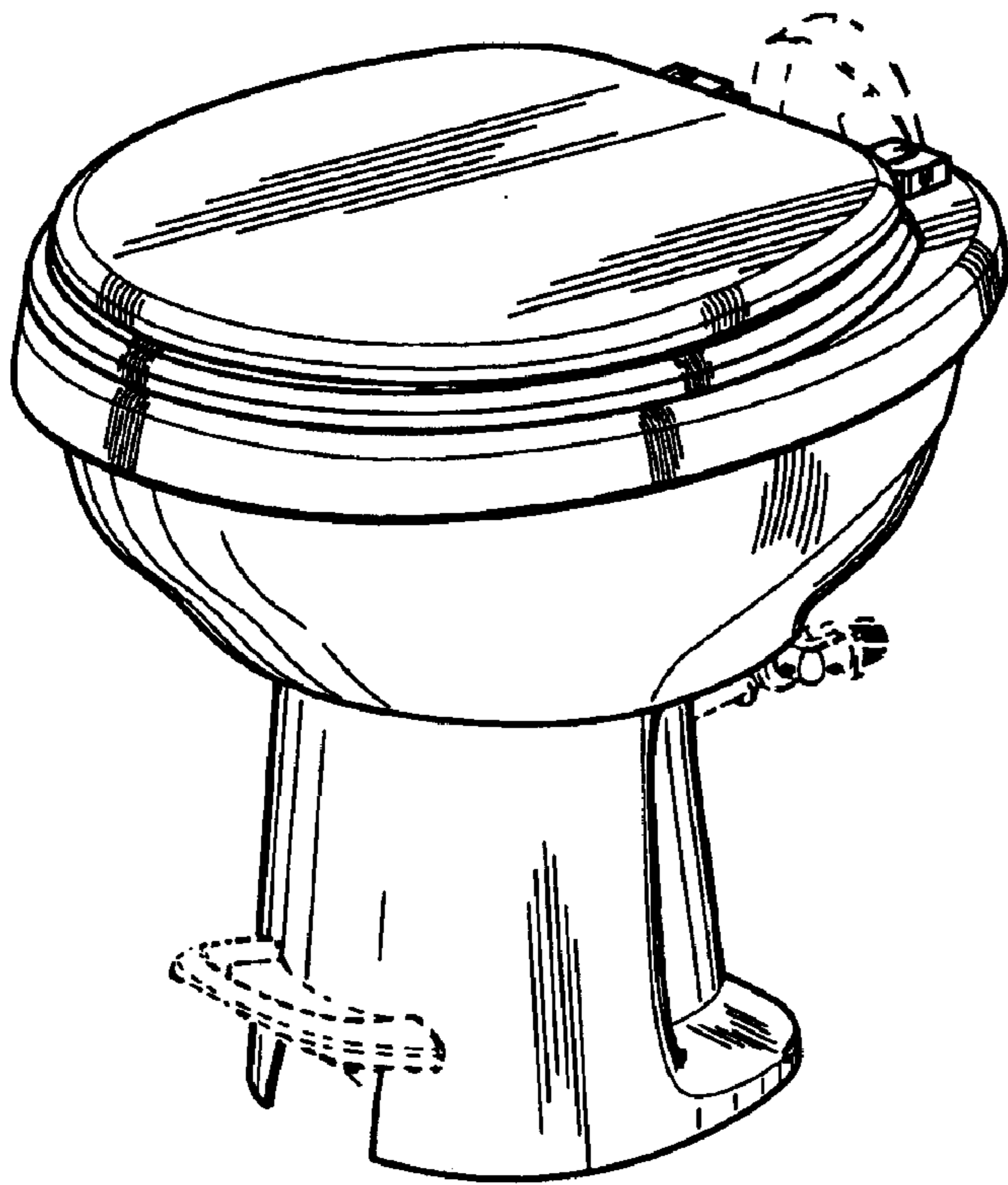
FIG. 5 is a top view thereof.

It will be understood that the broken line showing of the flush toilets throughout the drawings is for illustrative purposes only and forms no part of the subject invention.

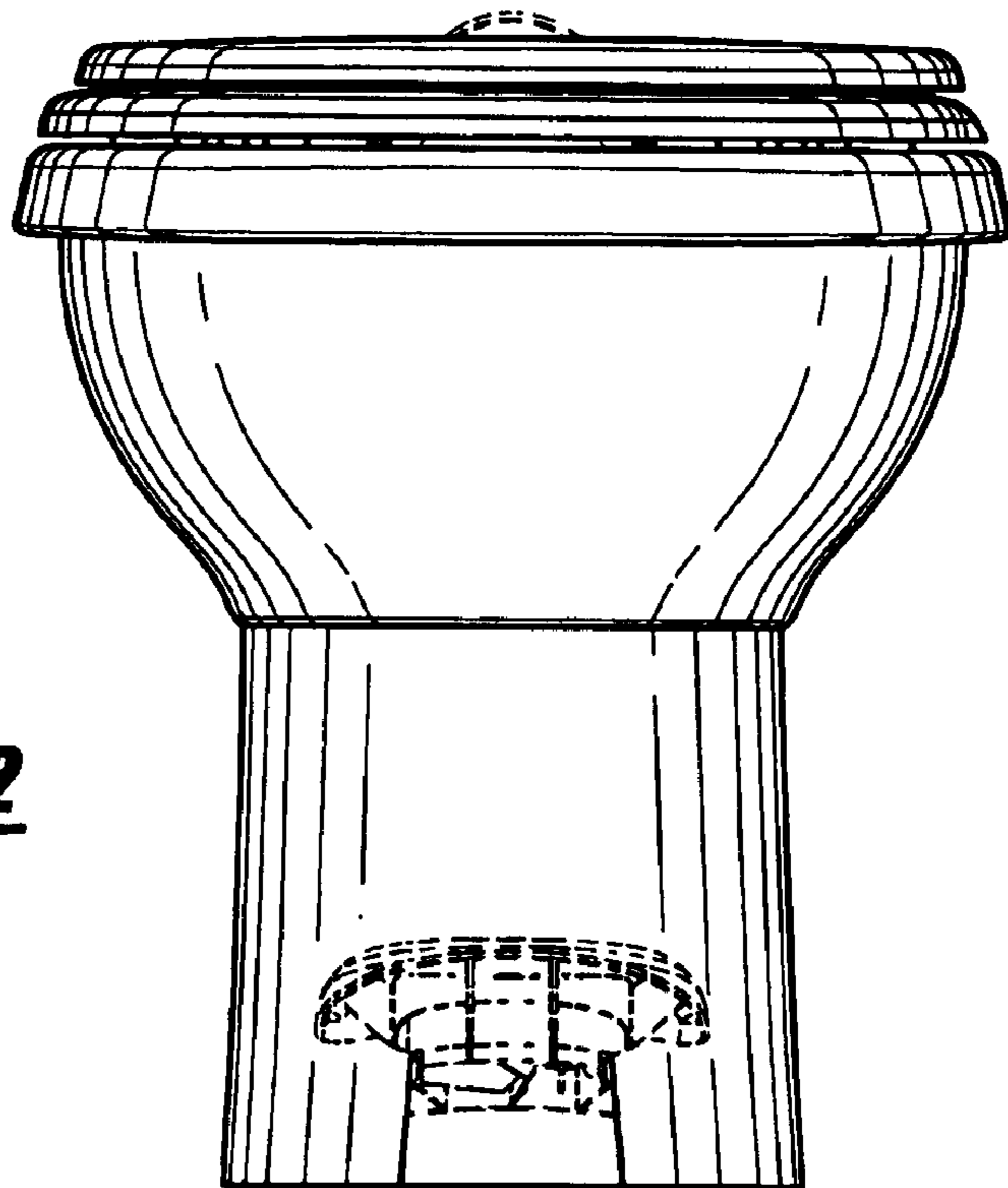
It will be understood that the hidden lines shown throughout the drawings is for illustration only, forming no part of the claimed design.

**1 Claim, 3 Drawing Sheets**

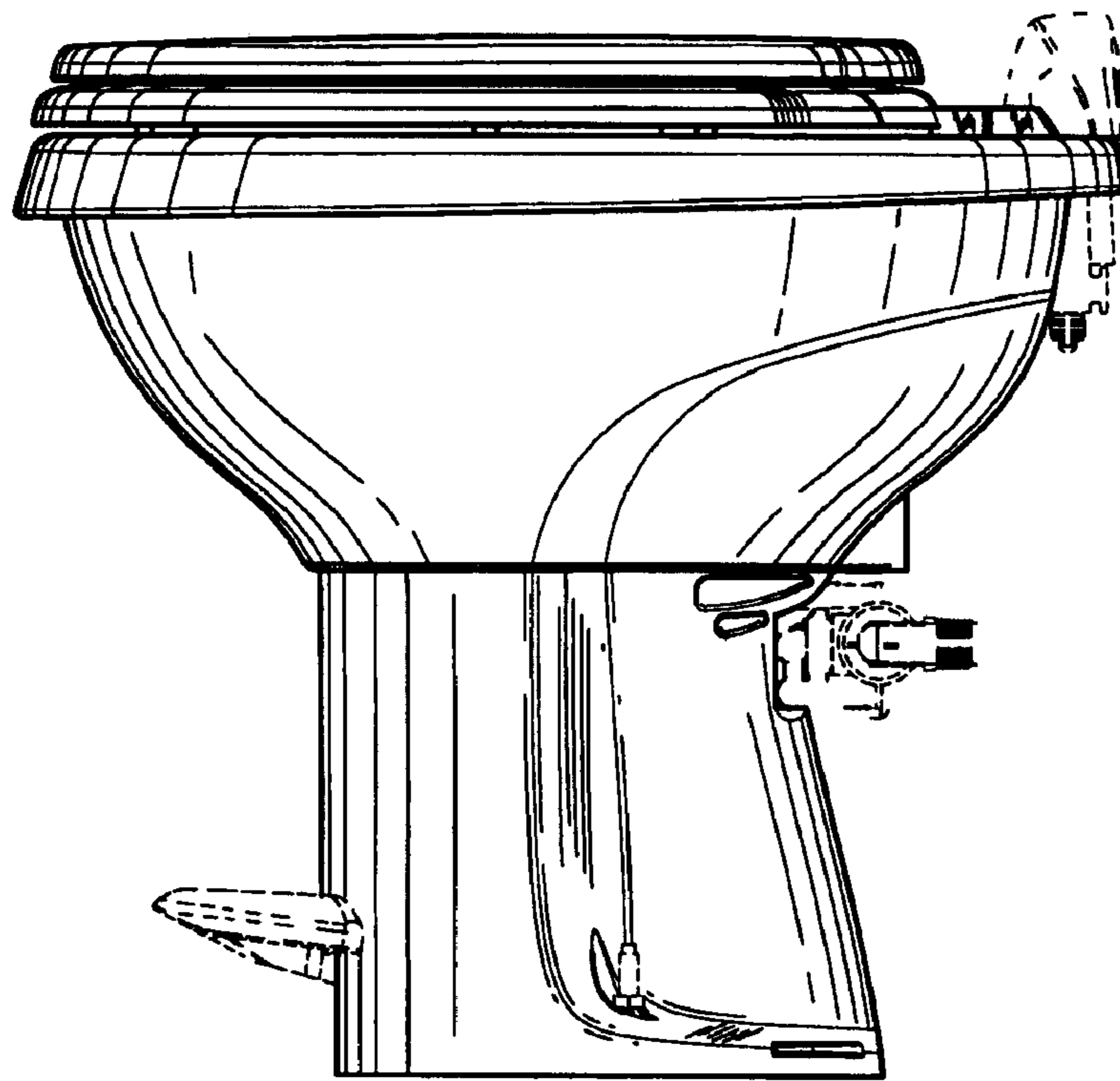




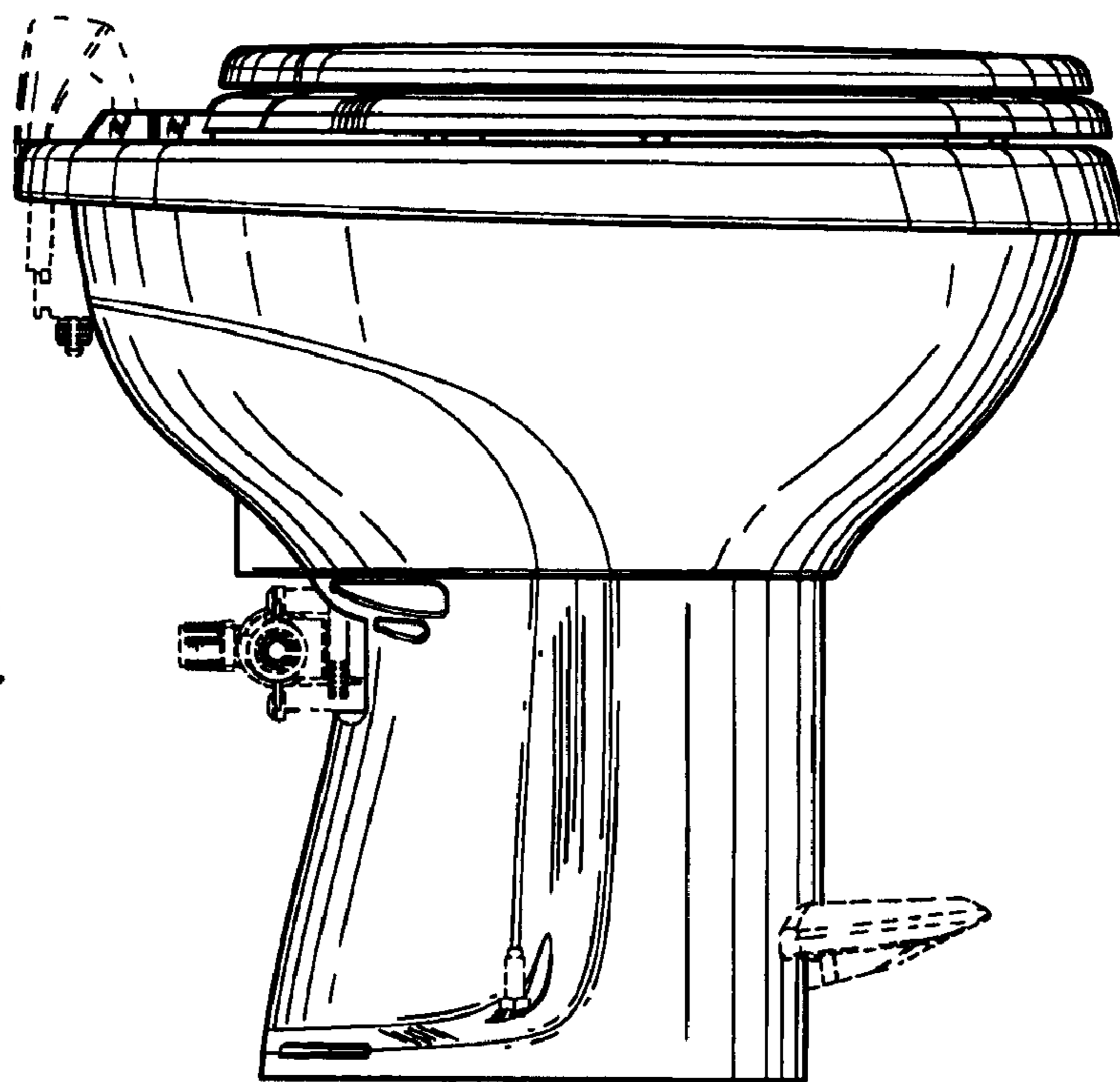
**FIG - 1**



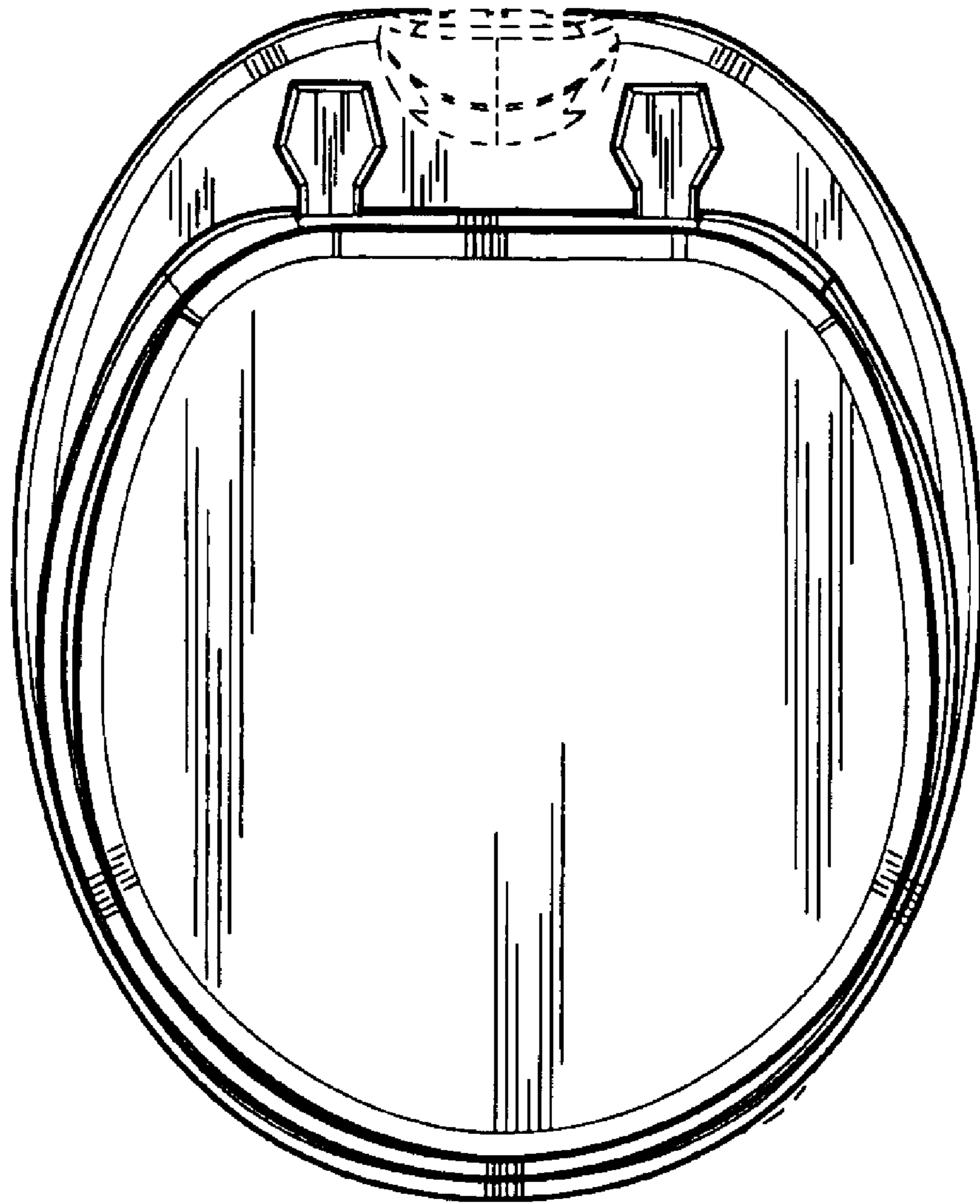
**FIG - 2**



**FIG - 3**



**FIG - 4**



**FIG - 5**