



US00D539395S

(12) **United States Design Patent**
Ritterling

(10) **Patent No.:** **US D539,395 S**

(45) **Date of Patent:** **** Mar. 27, 2007**

(54) **MODULAR SINK**

(75) Inventor: **Douglas K. Ritterling**, Anderson, SC (US)

(73) Assignee: **Electrolux Home Products, Inc.**, Cleveland, OH (US)

(**) Term: **14 Years**

(21) Appl. No.: **29/226,155**

(22) Filed: **Mar. 24, 2005**

(51) **LOC (8) Cl.** **23-02**

(52) **U.S. Cl.** **D23/286**

(58) **Field of Classification Search** D23/273,
D23/284-290, 293.1, 303, 308; 4/619-620,
4/624-625, 630-631, 661; 312/140.1-140.3,
312/204, 228; D6/398, 432-434, 441, 445-448,
D6/509-510; D7/334, 338-340

See application file for complete search history.

(56) **References Cited**

U.S. PATENT DOCUMENTS

2,584,187	A	2/1952	Crist
2,693,750	A	11/1954	Badenoch
2,815,707	A	12/1957	Morrow
3,019,720	A	2/1962	Topper
3,263,593	A	8/1966	Appleman

(Continued)

OTHER PUBLICATIONS

U.S. Appl. No. 29/226,098, filed Mar. 24, 2005.
U.S. Appl. No. 29/226,099, filed Mar. 24, 2005.
U.S. Appl. No. 29/226,102, filed Mar. 24, 2005.
“TEC Sterling g-2000 gas grill islands”, www.outdoorditch-ensdepot.com/tec-sterling-g2000-grill-islands.asp, copy-
right 2001, 5 pages.

“TEC Sterling G3000 Grill Islands”, www.outdoorkitchens-
depot.com/tec-sterling-g3000-grill-islands.asp, copyright
2001, 5 pages.

“TEC Sterling G4000 Grill Islands”, www.outdoorkitchens-
depot.com/tec-sterling-g4000-grill-islands-asp, copyright
2001, 5 pages.

“TEC Sterling II Grill Islands”, www.outdoorkitchensdepot.
com/tec-sterling-II-grill-islands.asp, copyright 2001, 4
pages.

“TEC Sterling III Grill Islands”, www.outdoorkitchensde-
pot.com/tec-sterling-III-grill-islands.asp, copyright 2001,
4 pages.

Primary Examiner—Robert A. Delehanty

(74) *Attorney, Agent, or Firm*—Pearne & Gordon LLP

(57) **CLAIM**

The ornamental design for an modular sink, as shown and
described.

DESCRIPTION

FIG. 1 is an upper right perspective view of my new design
for a modular sink in accordance with the present invention;
FIG. 2 is a front elevational view of the modular sink of FIG.
1;

FIG. 3 is a rear elevational view of the modular sink of FIG.
1;

FIG. 4 is a left side elevational view of the modular sink of
FIG. 1;

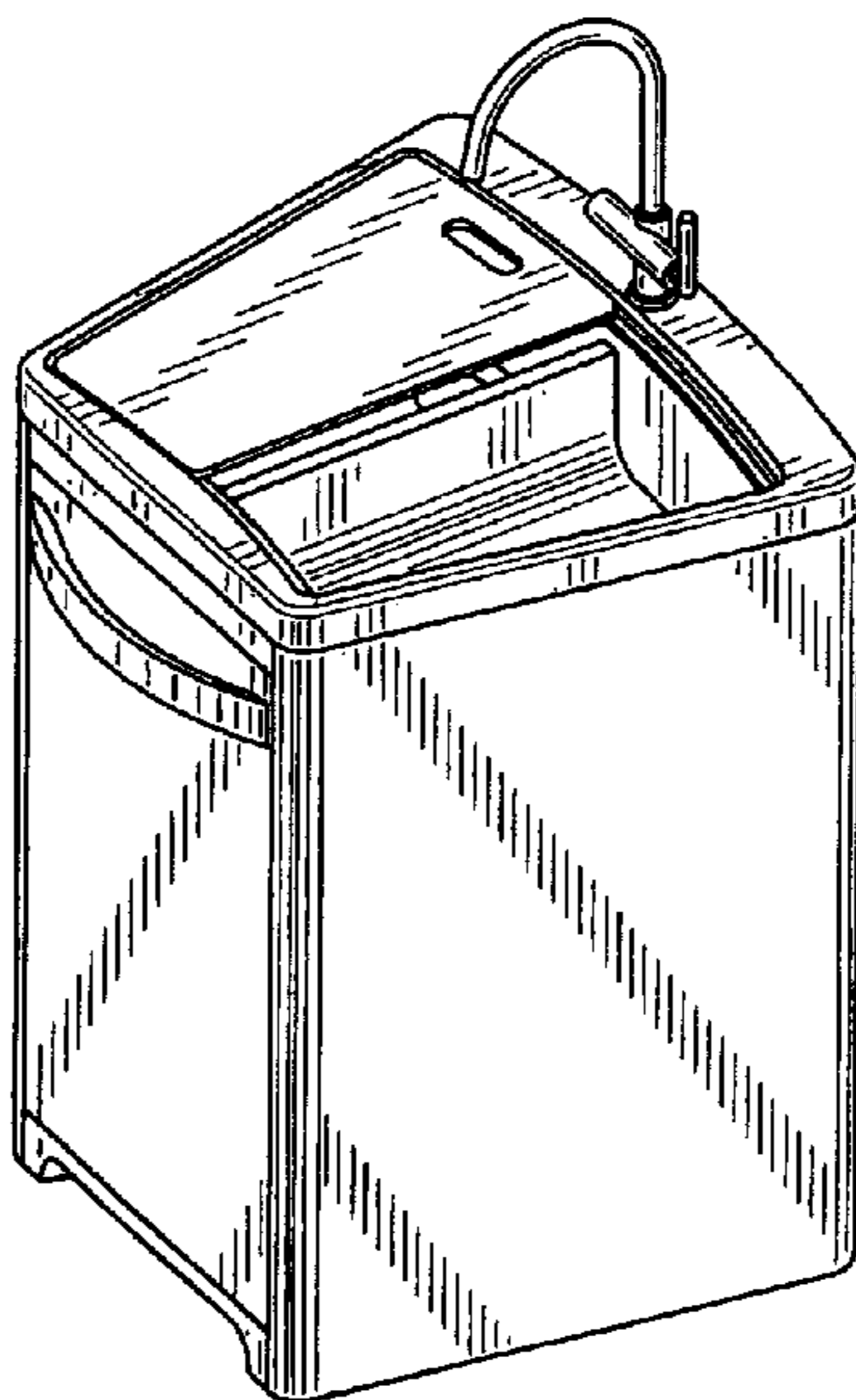
FIG. 5 is a right side elevational view of the modular sink
of FIG. 1;

FIG. 6 is a top view of the modular sink of FIG. 1; and,

FIG. 7 is a bottom view of the modular sink of FIG. 1.

The unshaded area shown in FIG. 7 forms no part of the
claimed design.

1 Claim, 4 Drawing Sheets



US D539,395 S

Page 2

U.S. PATENT DOCUMENTS					
			6,038,965 A	3/2000	Thorndyke
			6,131,505 A	10/2000	Lin
			D437,176 S	2/2001	Bullard
			6,248,982 B1	6/2001	Reid et al.
			6,308,616 B1	10/2001	Johnson
			D462,227 S	9/2002	Alden et al.
			D464,330 S	* 10/2002	Zarker, Jr. D23/286
			6,508,165 B2	1/2003	Johnson
			D471,057 S	3/2003	Chung
			D471,755 S	3/2003	Wilgus et al.
			D472,756 S	4/2003	Pai
			D475,552 S	6/2003	Thompson
			D476,188 S	6/2003	Wood
			6,598,514 B2	7/2003	Leggi
			6,626,089 B1	9/2003	Hubert
			D485,467 S	1/2004	Pai
			D489,222 S	5/2004	Pai
			D503,065 S	3/2005	Pai
			2004/0065313 A1	4/2004	Thompson
					* cited by examiner
3,289,664 A	12/1966	Hewitt			
3,343,527 A	9/1967	Manteris			
3,442,201 A	5/1969	Kates			
3,665,913 A	5/1972	Cagle, Jr.			
3,789,822 A	2/1974	Schantz			
3,866,994 A	2/1975	Bonin			
4,082,391 A	4/1978	Turner			
4,106,473 A	8/1978	Wandel			
4,108,055 A	8/1978	Simmons			
D254,468 S	3/1980	Cox			
4,321,857 A	3/1982	Best			
4,895,068 A	1/1990	Hanagan et al.			
4,996,969 A	3/1991	Dodgen			
5,031,602 A	7/1991	Vick			
5,097,817 A	3/1992	Dodgen			
5,213,027 A	5/1993	Tsotsos et al.			
5,410,950 A	5/1995	Rone			
5,419,249 A	5/1995	Papandrea			
D409,435 S	5/1999	Husted			

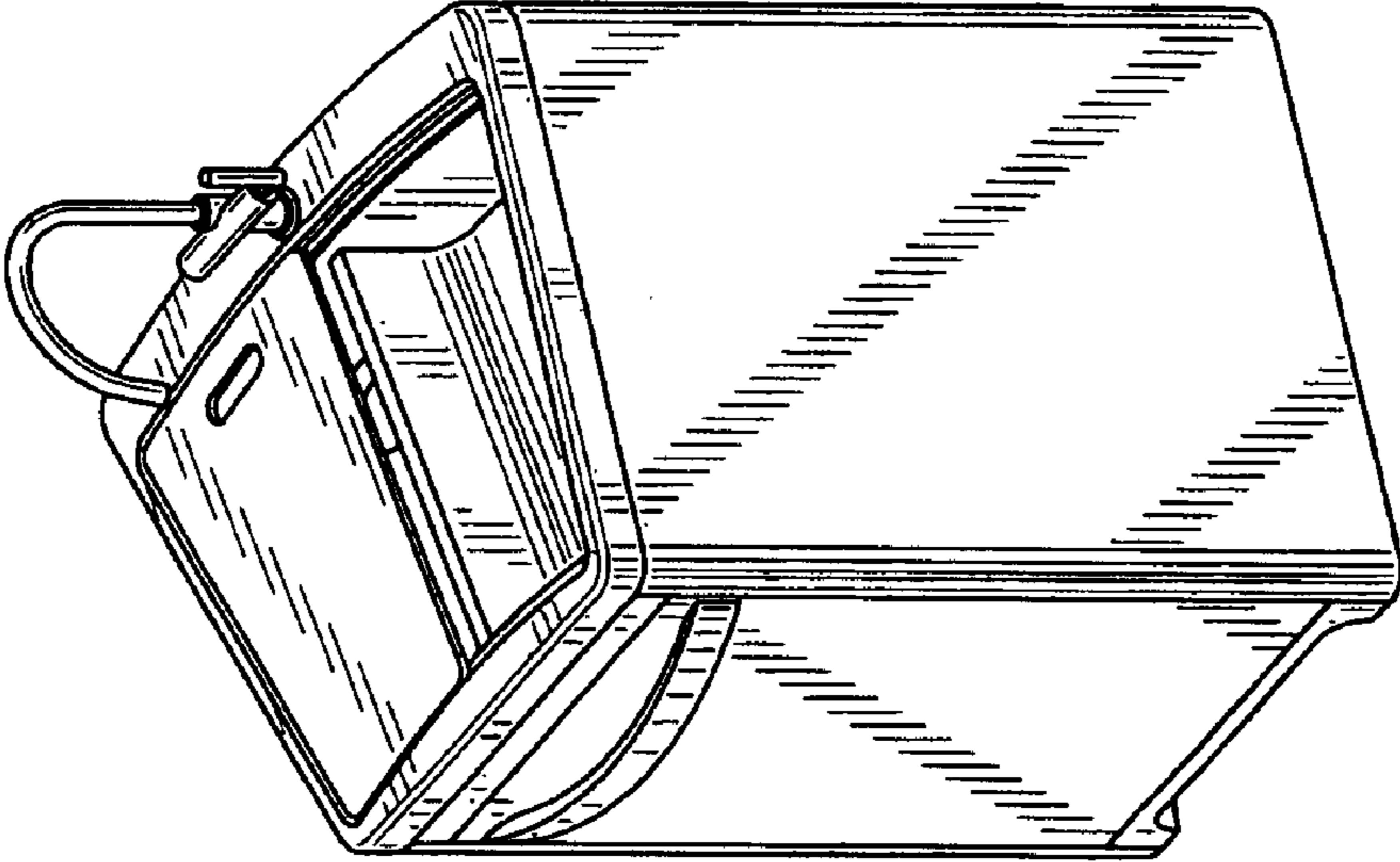


FIG. 1

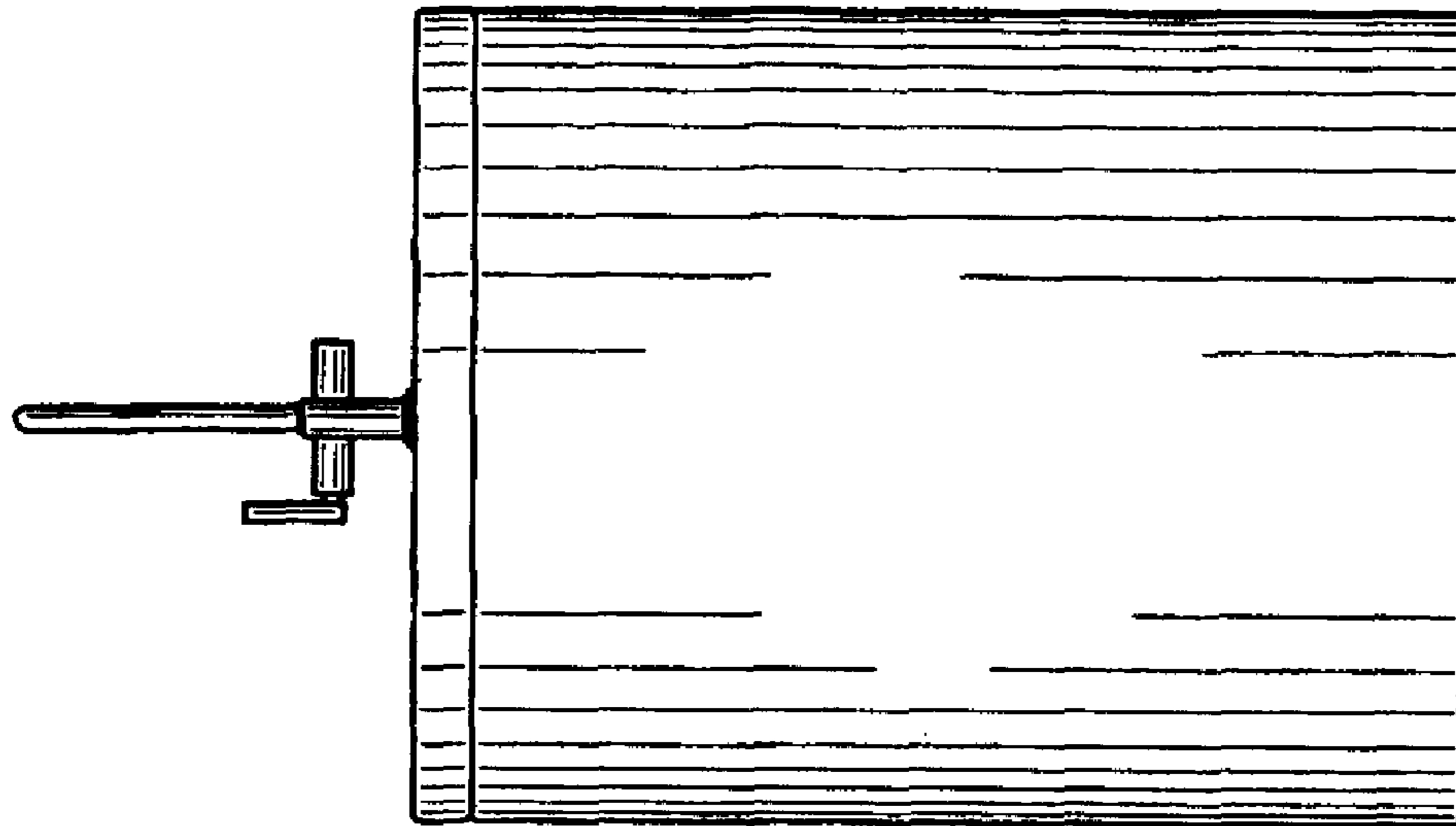


FIG. 3

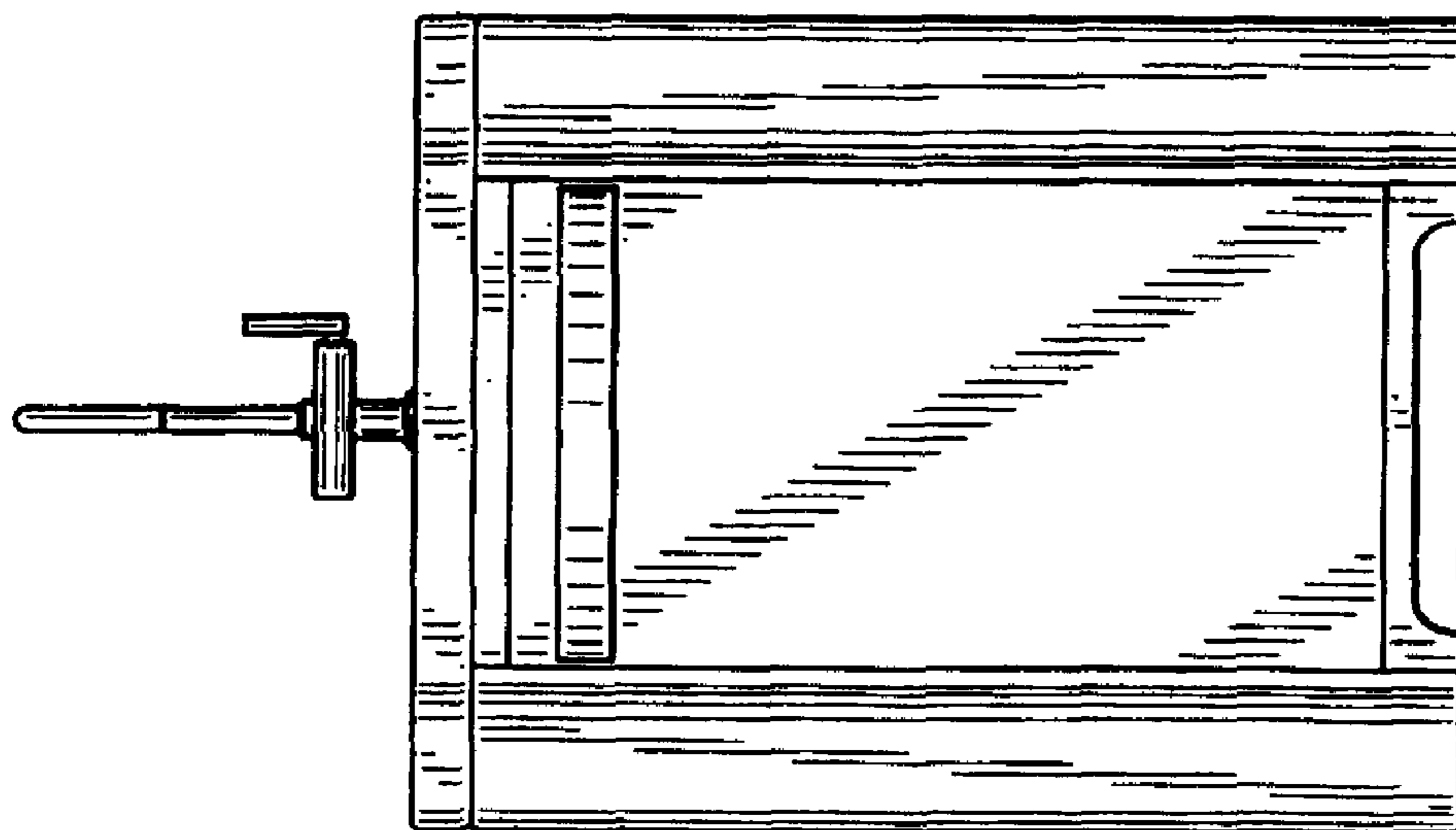


FIG. 2

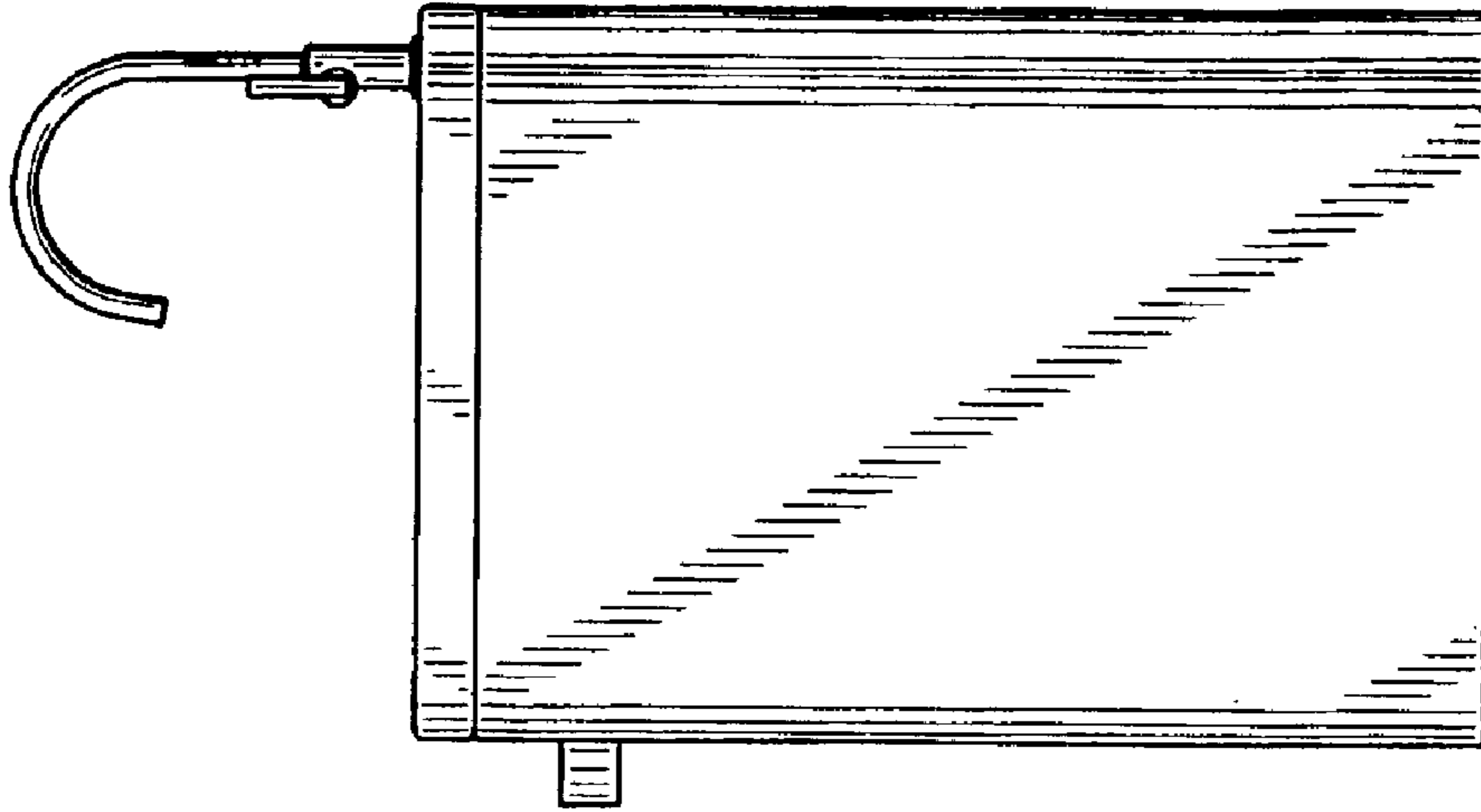


FIG. 5

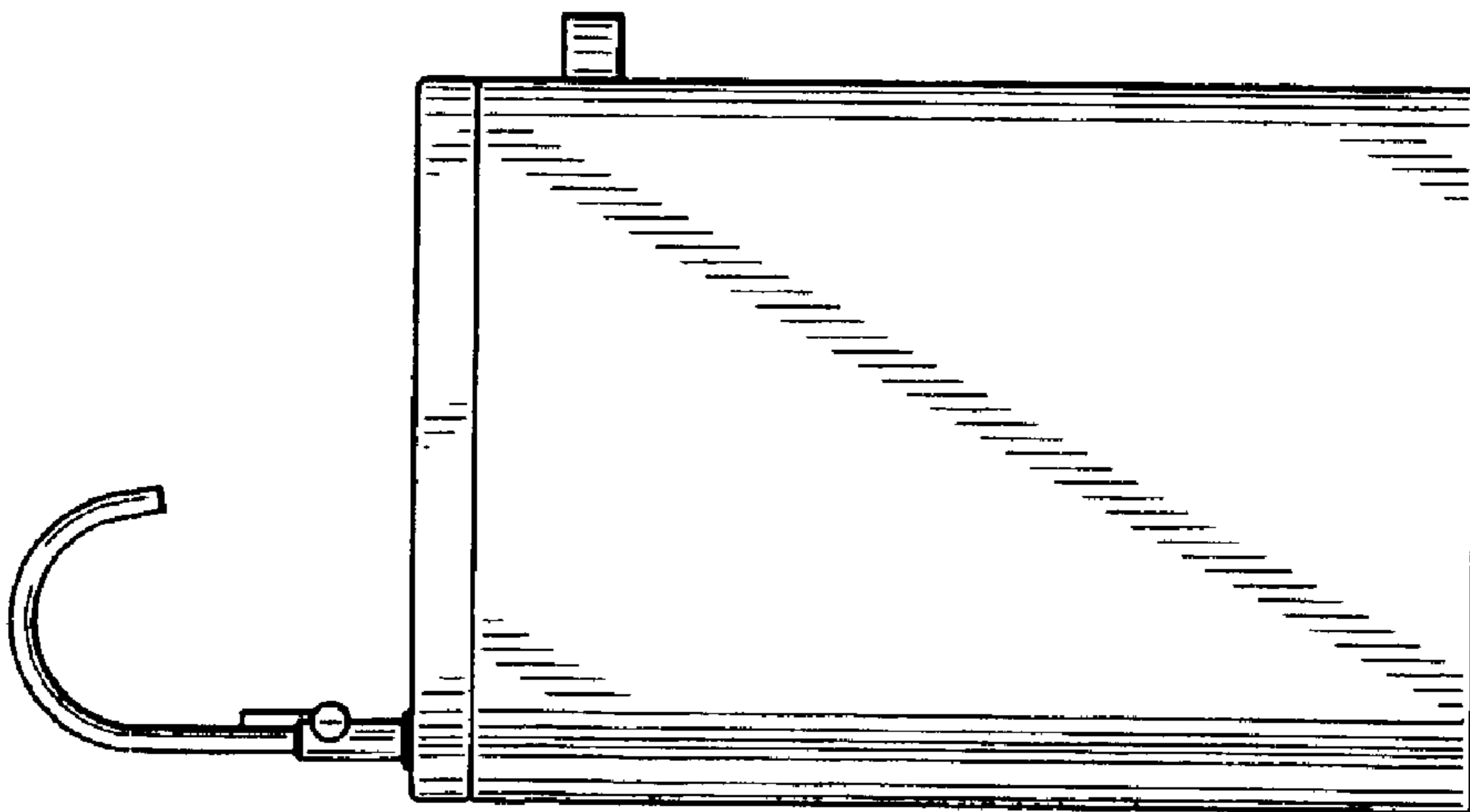


FIG. 4

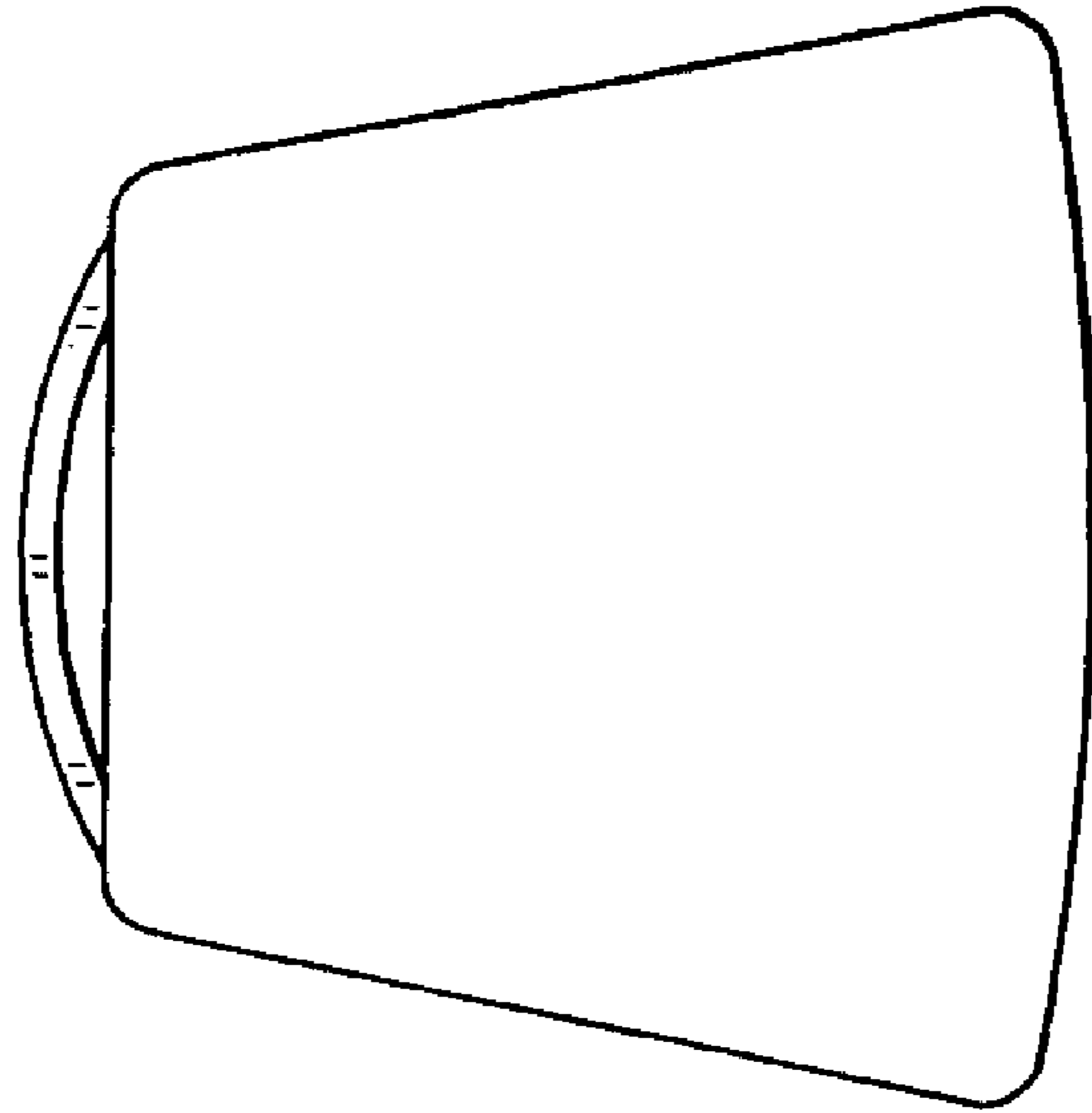


FIG. 7

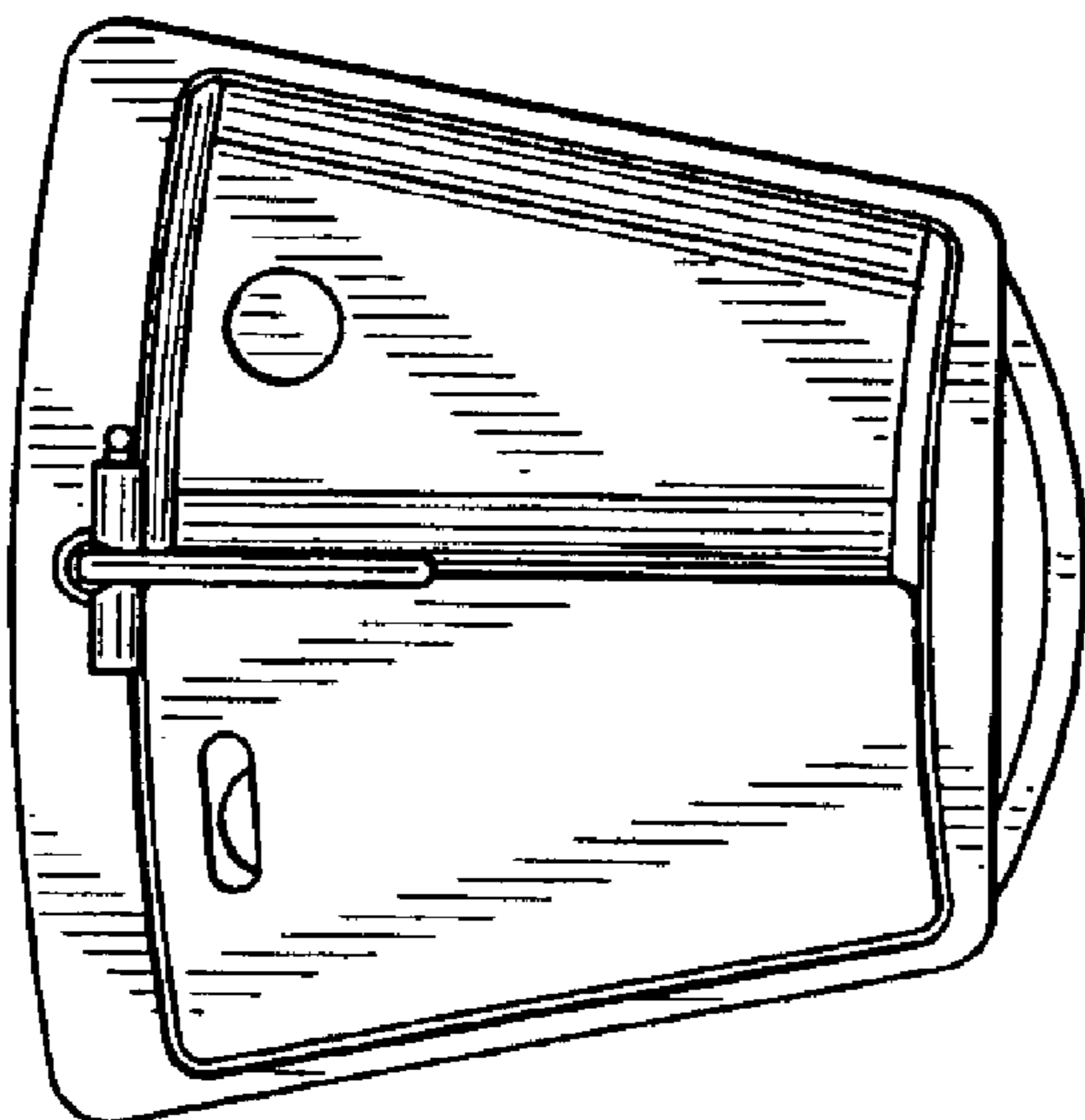


FIG. 6