



US00D539394S

(12) **United States Design Patent**
Luxton

(10) **Patent No.:** **US D539,394 S**
(45) **Date of Patent:** **** Mar. 27, 2007**

(54) **TRIM-TO-FIT SHOWER BASE**

(75) Inventor: **Mark Ian Luxton**, Onchan (GB)

(73) Assignee: **DLP Limited**, Braddan (GB)

(**) Term: **14 Years**

(21) Appl. No.: **29/243,003**

(22) Filed: **Nov. 18, 2005**

(30) **Foreign Application Priority Data**

May 20, 2005 (EP) 000343561-0001

(51) **LOC (8) Cl.** **23-02**

(52) **U.S. Cl.** **D23/283**

(58) **Field of Classification Search** D23/273,
D23/275, 283, 303-305; D24/204; 4/596,
4/612-614, 663, 661, 900

See application file for complete search history.

(56) **References Cited**

U.S. PATENT DOCUMENTS

3,942,199 A * 3/1976 Kollsman 4/583

D255,829 S * 7/1980 Swenson D23/283

D351,019 S * 9/1994 Moore et al. D23/283

D473,293 S * 4/2003 Piatt D23/293.1

* cited by examiner

Primary Examiner—Robert A. Delehanty

(74) *Attorney, Agent, or Firm*—Young & Thompson

(57) **CLAIM**

The ornamental design for a trim-to-fit shower base, as shown and described.

DESCRIPTION

FIG. 1 is a top perspective view of a trim-to-fit shower base showing my new design;

FIG. 2 is an enlarged fragmentary end view thereof;

FIG. 3 is a greatly enlarged top perspective view of the shower base with a portion of the edge removed thereof;

FIG. 4 is a greatly enlarged top perspective view of the shower base with an additional portion of the edge removed thereof;

FIG. 5 is a bottom perspective view thereof;

FIG. 6 is an enlarged fragmentary bottom view showing a portion of the edge trimmed and a cutting guide thereof;

FIG. 7 is an enlarged fragmentary top view showing a portion of the edge trimmed thereof;

FIG. 8 is a greatly enlarged partial side view with a portion of the edge trimmed thereof;

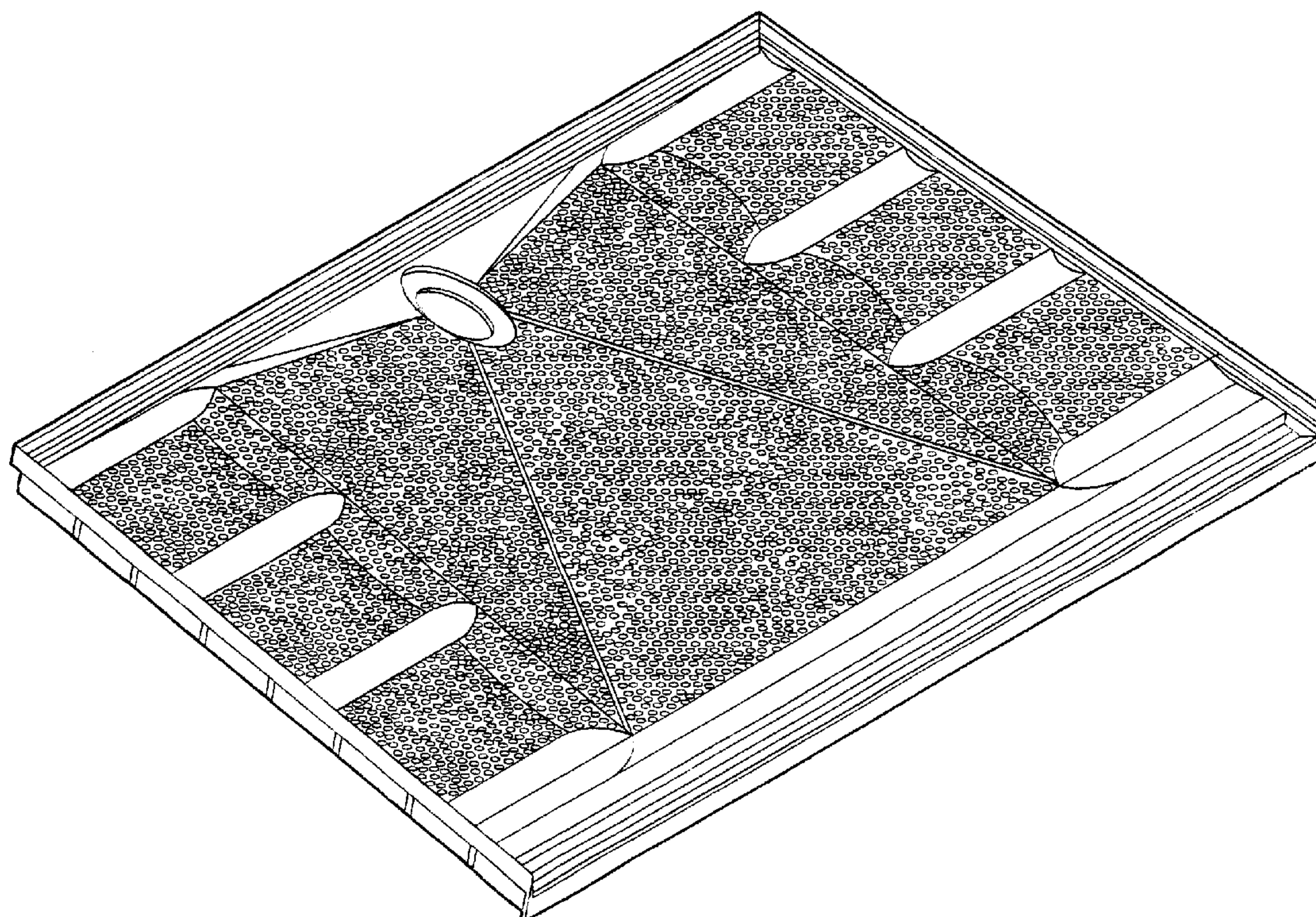
FIG. 9 is an enlarged perspective view of an end cap thereof;

FIG. 10 is a perspective view of the other side of the end cap thereof;

FIG. 11 is an enlarged fragmentary top perspective view of the trimmable edge of the shower base with end cap attached; and,

FIG. 12 is a greatly enlarged fragmentary perspective bottom view of the trimmable edge of the shower base with end cap and trim guides.

1 Claim, 12 Drawing Sheets



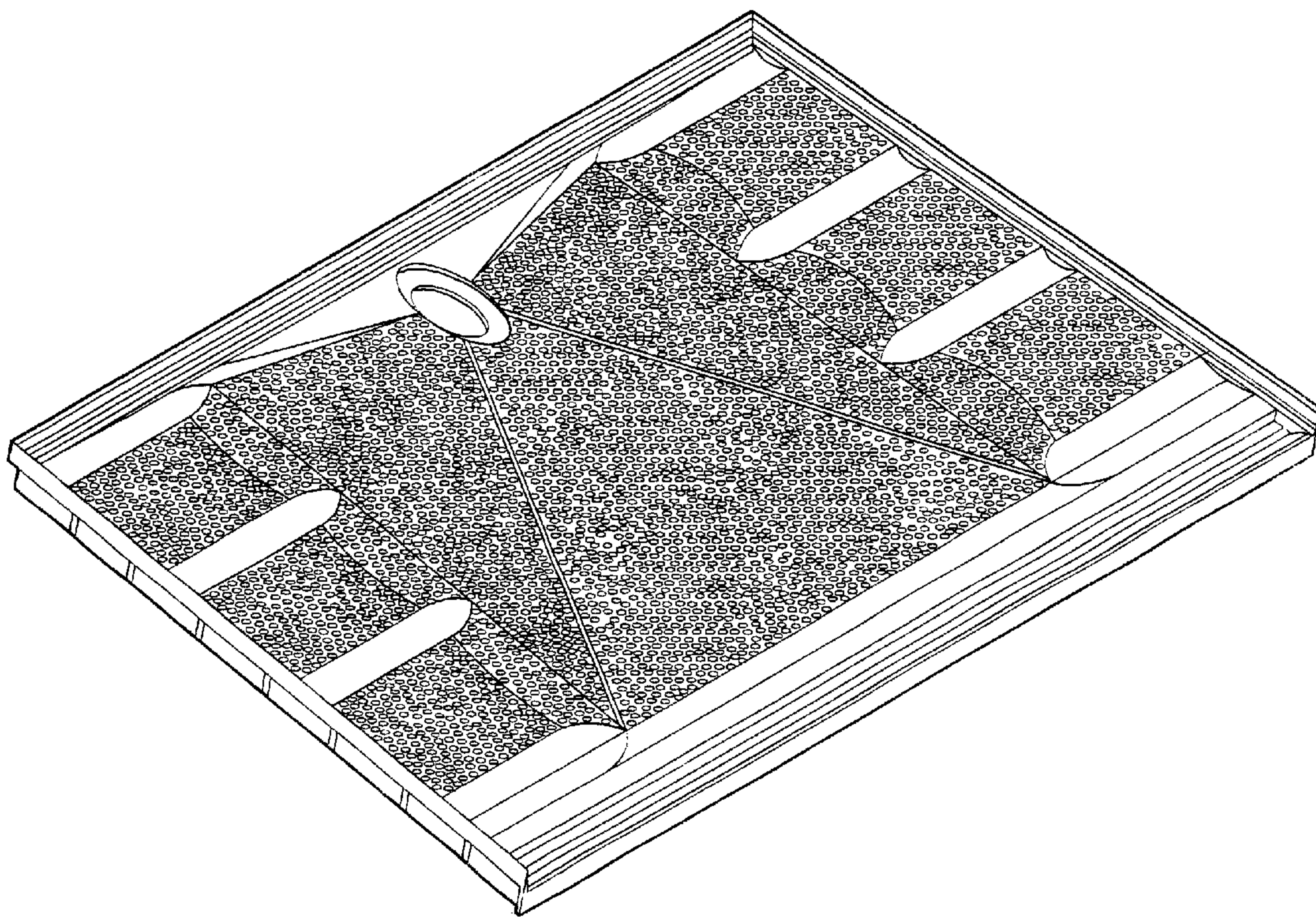


FIG 1

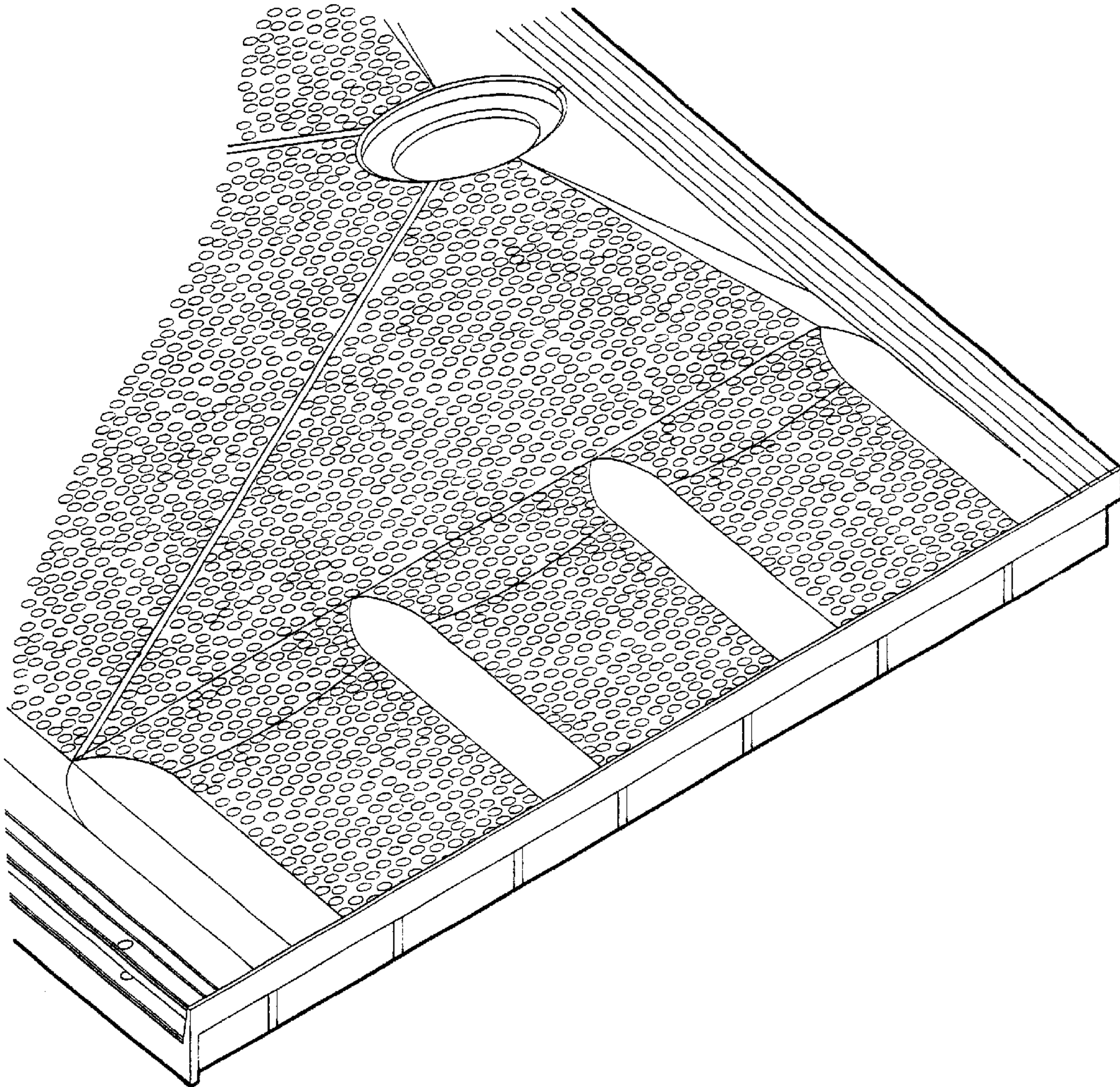


FIG 2

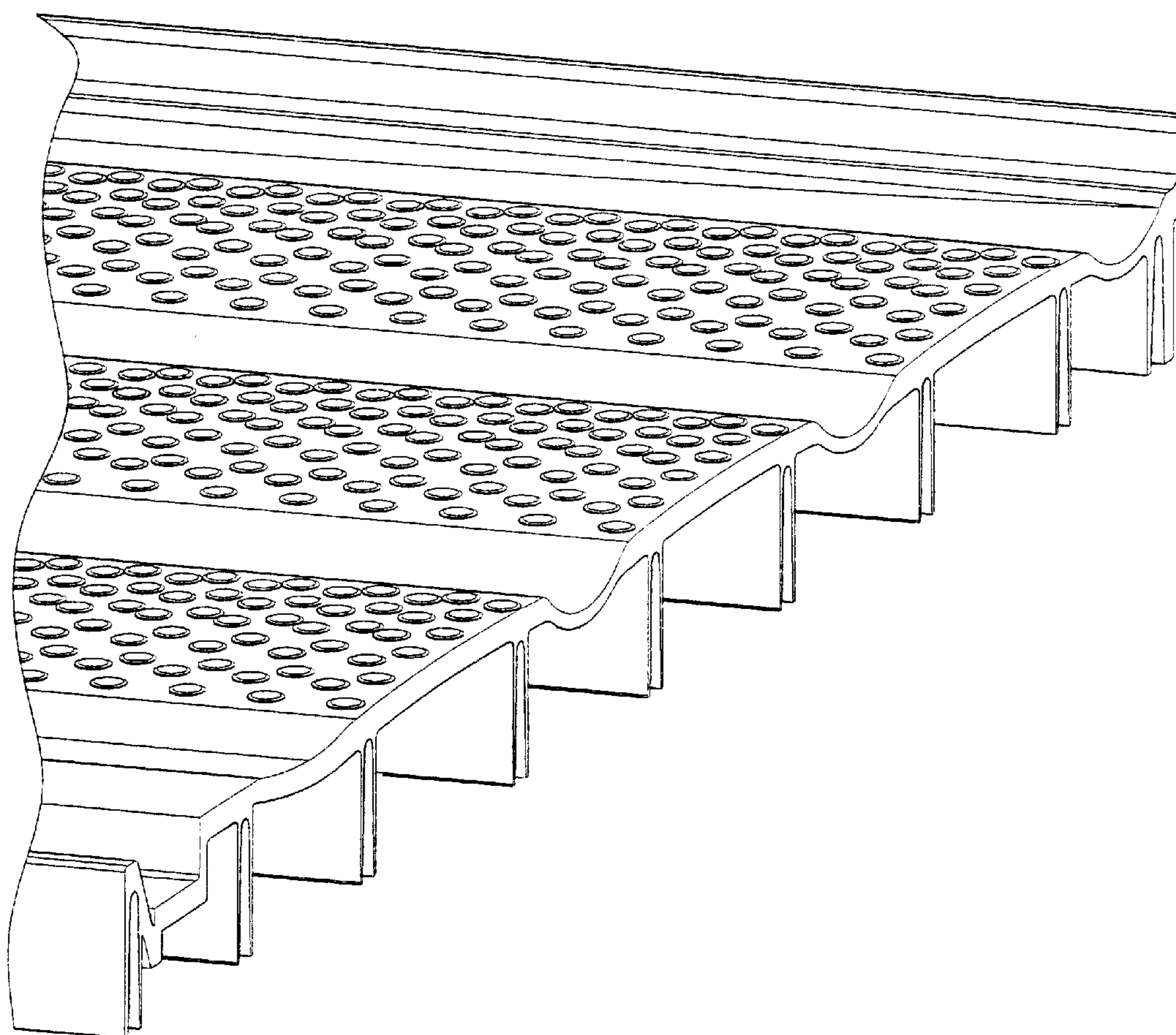


FIG 3

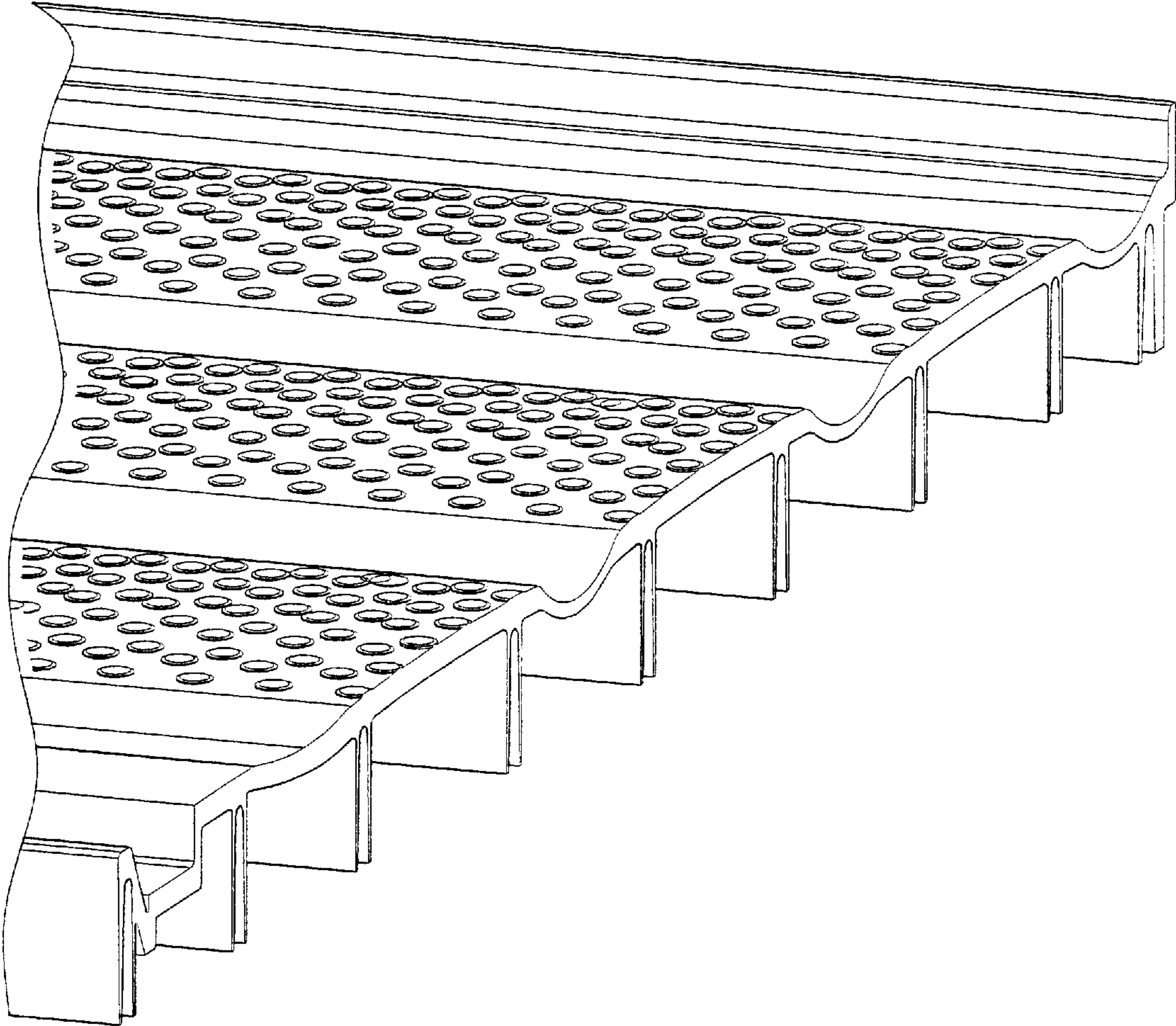


FIG 4

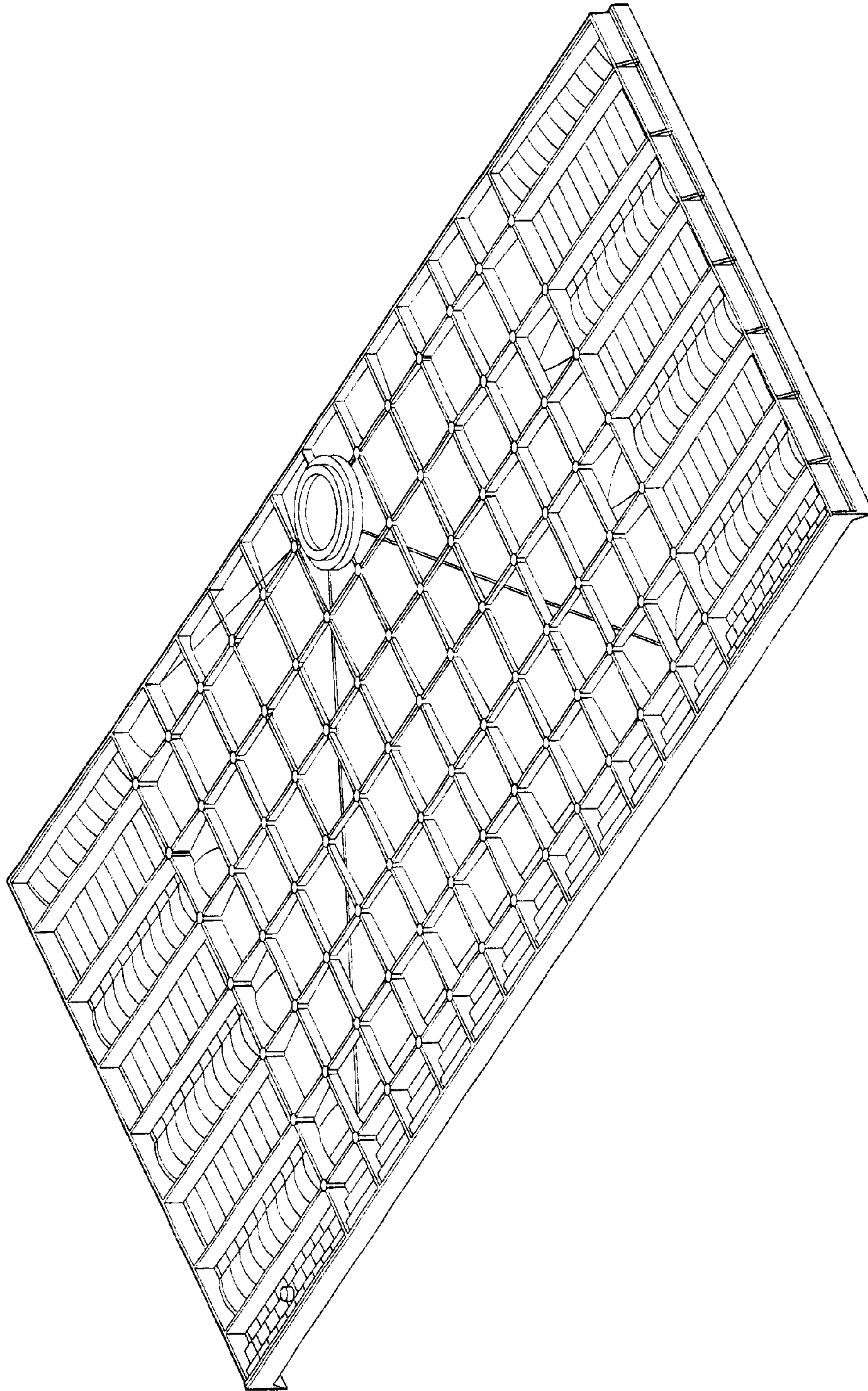


FIG 5

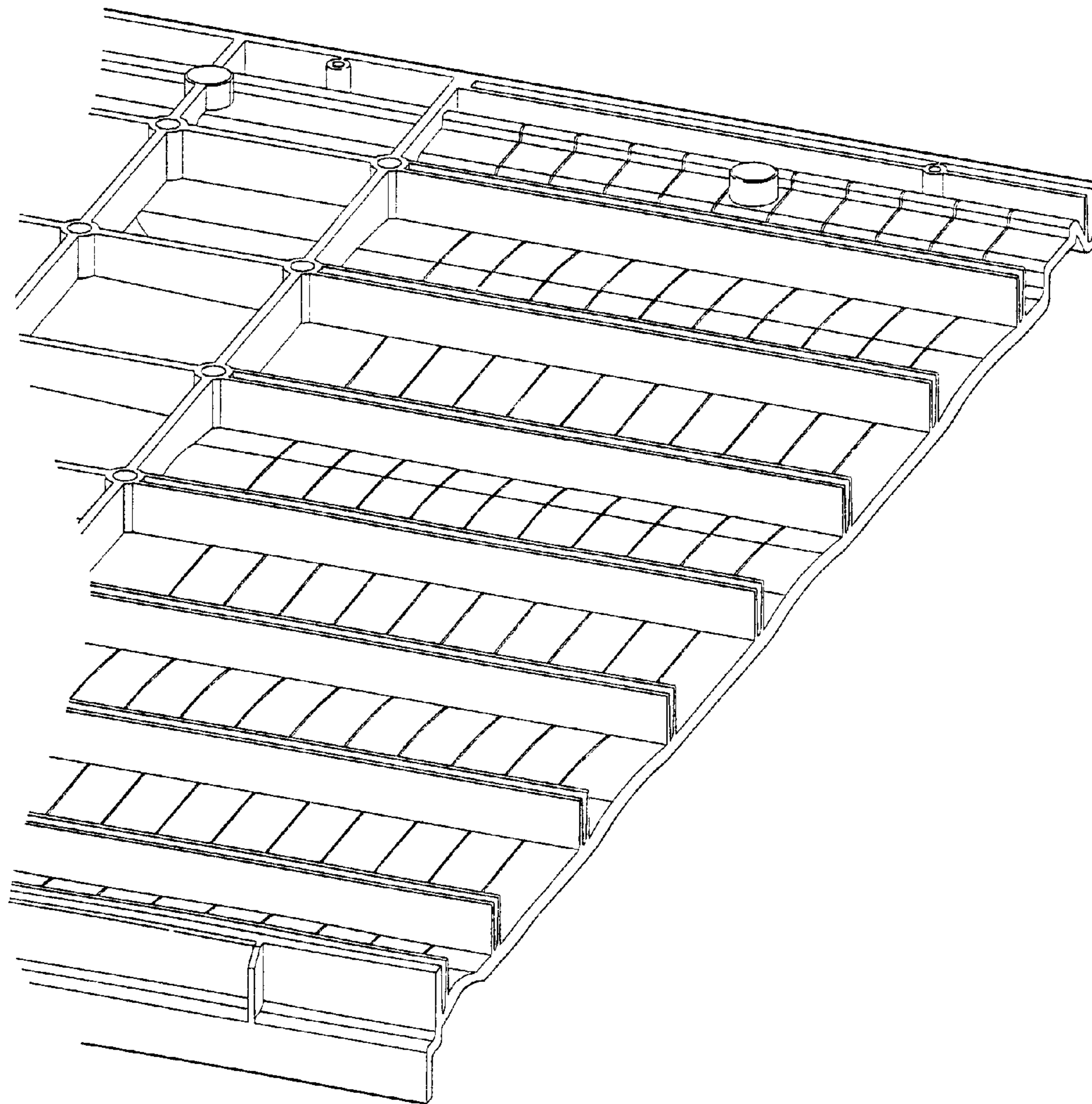


FIG 6

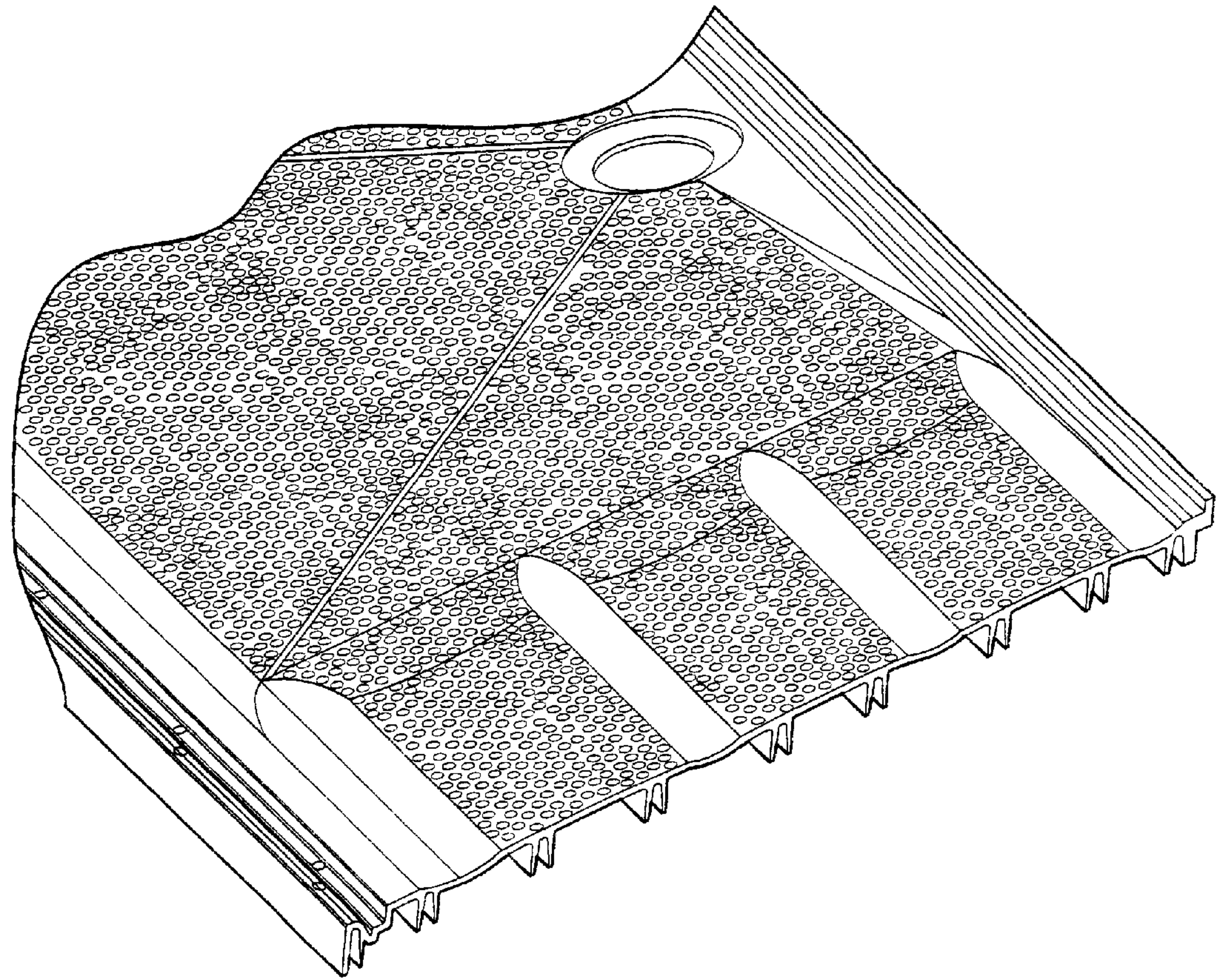


FIG 7

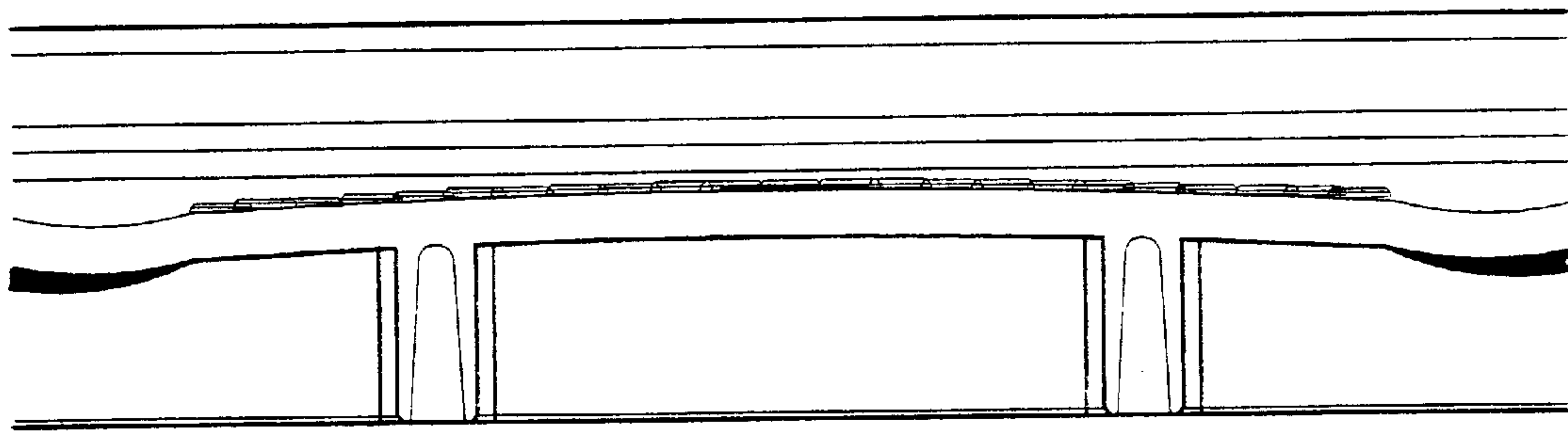


FIG 8

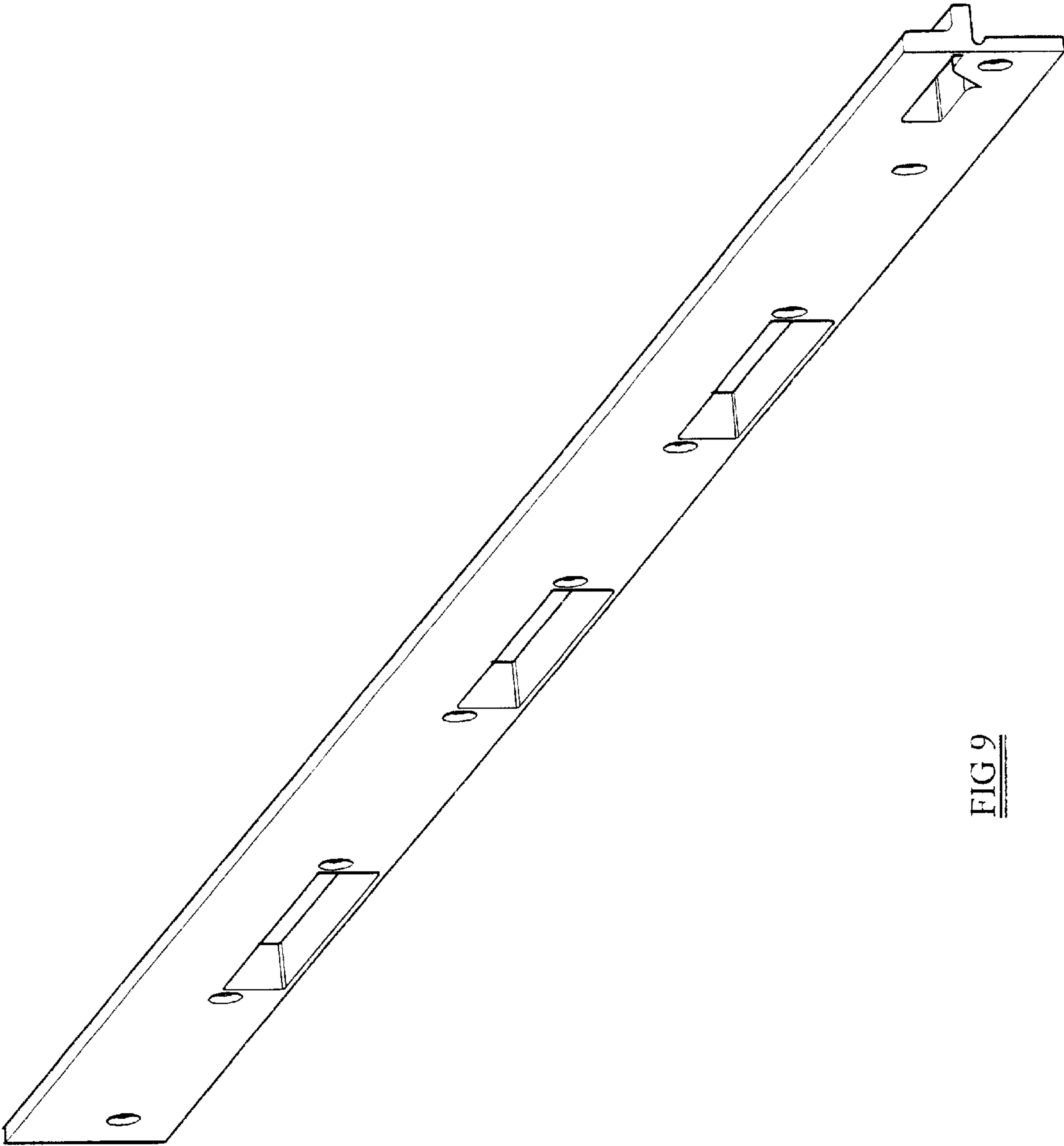


FIG 9

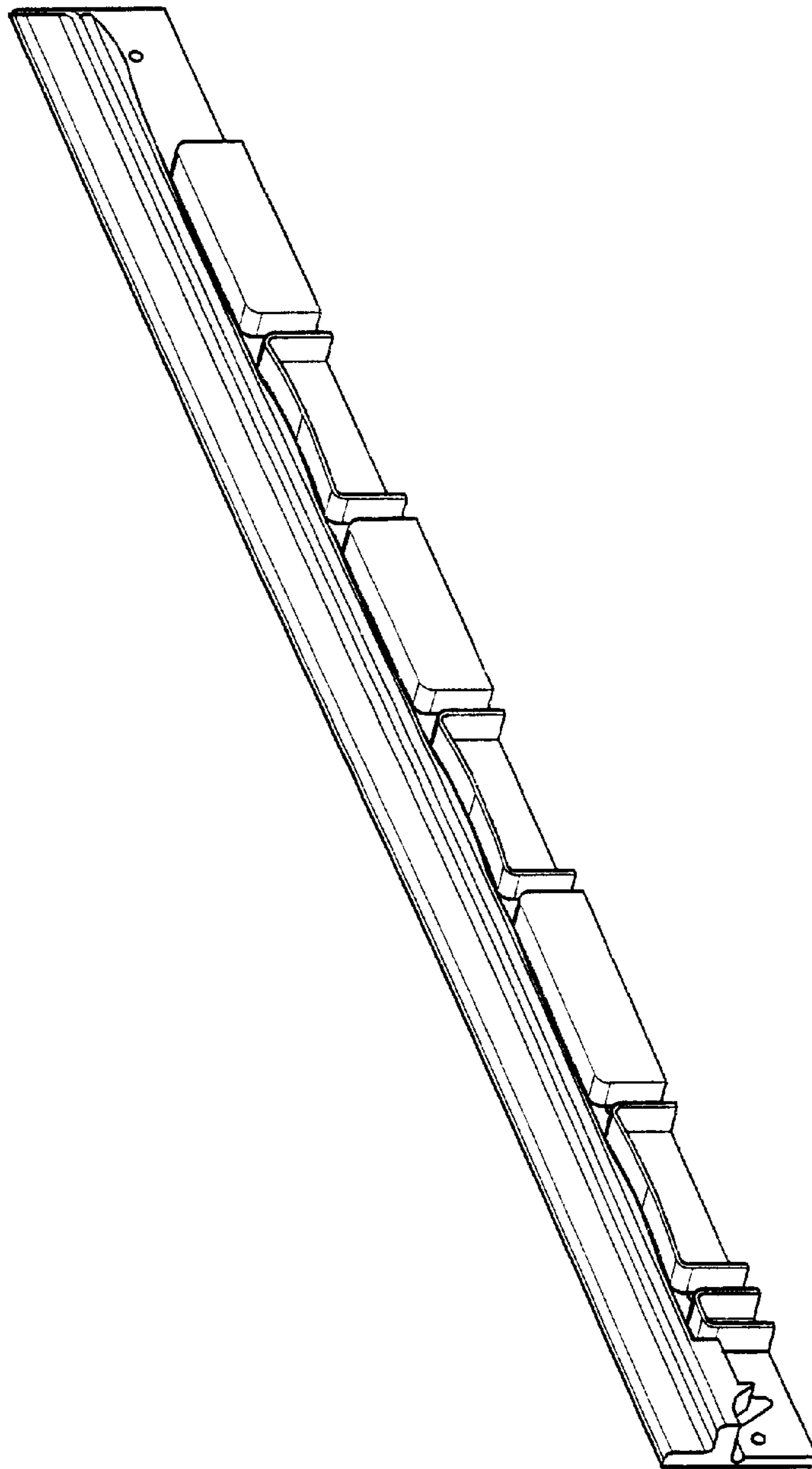


FIG 10

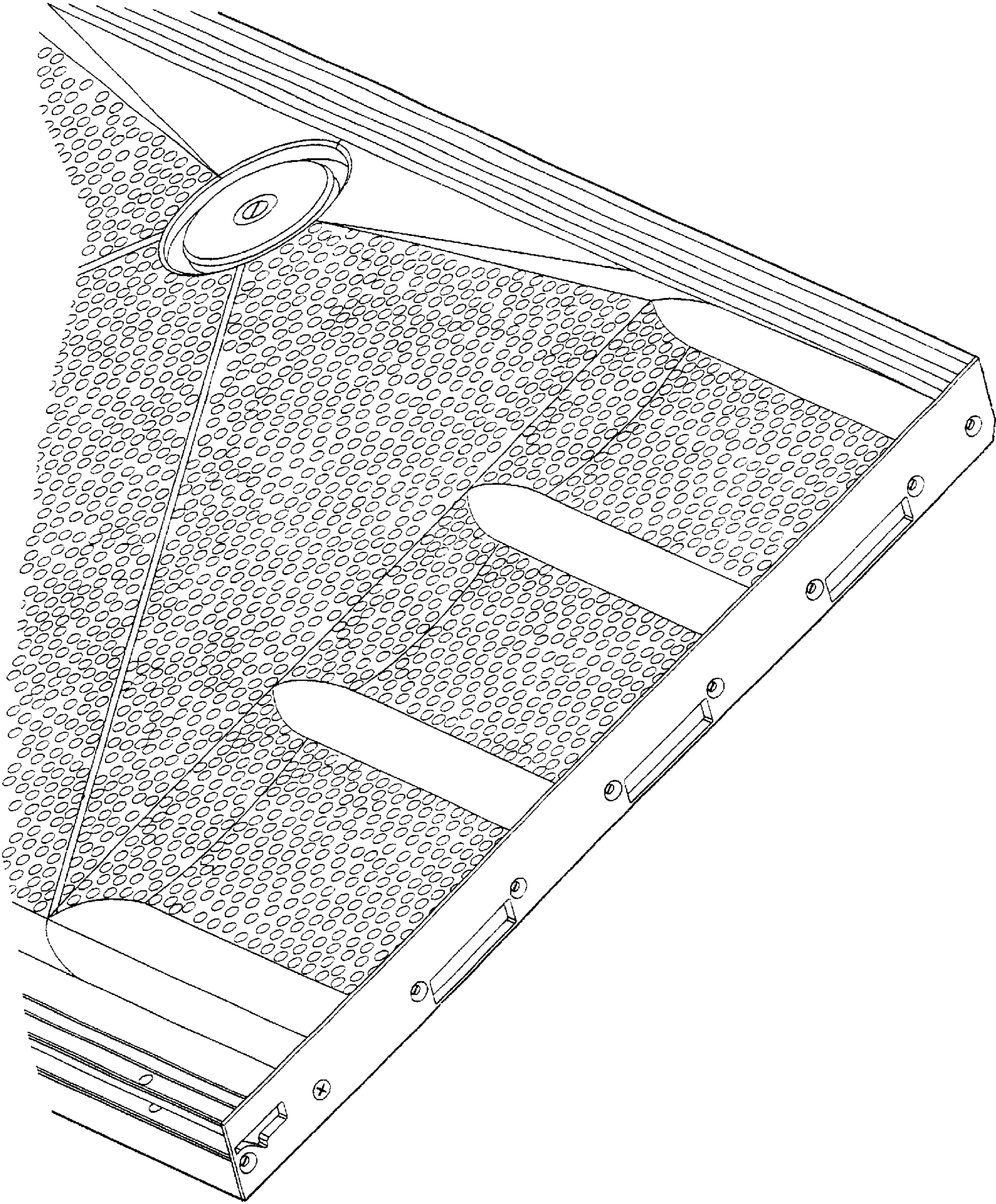


FIG 11

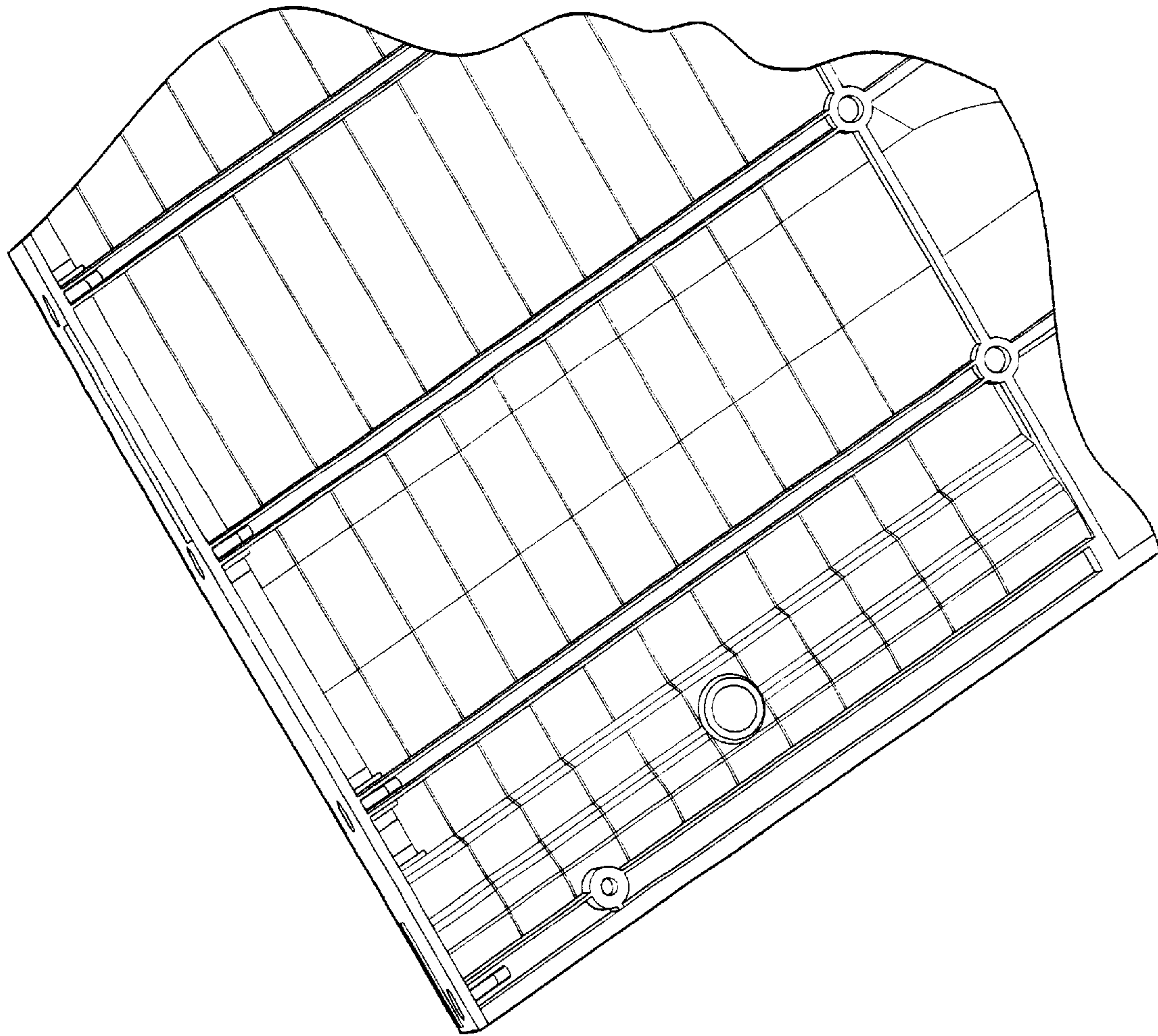


FIG 12