



US00D539392S

(12) **United States Design Patent**
Hood

(10) **Patent No.:** **US D539,392 S**
(45) **Date of Patent:** **** Mar. 27, 2007**

(54) **PLUMBING FIXTURE**

(75) Inventor: **Lisa Hood**, Port Washington, WI (US)

(73) Assignee: **Kohler Co.**, Kohler, WI (US)

(**) Term: **14 Years**

(21) Appl. No.: **29/242,192**

(22) Filed: **Nov. 7, 2005**

(51) **LOC (8) Cl.** **23-02**

(52) **U.S. Cl.** **D23/277**

(58) **Field of Classification Search** D23/271,
D23/273, 275-277, 280.1, 303-306; D24/204-205;
4/538, 571.1-573.1, 575.1, 584-586, 589,
4/661, 545-546, 592-593

See application file for complete search history.

(56) **References Cited**

U.S. PATENT DOCUMENTS

D334,424 S	3/1993	O'Connell	
D335,332 S	5/1993	O'Connell	
D335,333 S	5/1993	Kohler, Jr. et al.	
D434,837 S	* 12/2000	Thomas	D23/277
D514,206 S	* 1/2006	Bates	D23/277
D526,708 S	* 8/2006	Obara	D23/280.1

OTHER PUBLICATIONS

Kohler Co., catalog, Model No. K-1461-H/K-1445 Portrait 6' whirlpool, p. 8-34.

"Cetra with Integral Skirt" whirlpool, catalog p. 4.

Jacuzzi catalog: "Luxura 5 and 5.5 with Optional Skirt," p. 3.

* cited by examiner

Primary Examiner—Robert A. Delehanty

(74) *Attorney, Agent, or Firm*—Quarles & Brady LLP

(57) **CLAIM**

The ornamental design for a plumbing fixture, as shown and described.

DESCRIPTION

In a preferred embodiment, the nature of this product is as a plumbing fixture in the form of a bathing tub, primary useful for washing the human body.

FIG. 1 is a left, top, front perspective view of a plumbing fixture embodying my new design;

FIG. 2 is a top plan view thereof;

FIG. 3 is a front elevational view thereof;

FIG. 4 is a left side elevational view thereof;

FIG. 5 is a right side elevational view thereof;

FIG. 6 is a rear elevational view thereof;

FIG. 7 is a bottom plan view thereof;

FIG. 8 is a top plan view of a plumbing fixture according to another embodiment of my new design, the left side and right side elevational views thereof being identical to FIGS. 4 and 5, respectively;

FIG. 9 is a front elevational view thereof;

FIG. 10 is a left, top, front perspective view of a plumbing fixture according to another embodiment of my new design;

FIG. 11 is a top plan view thereof;

FIG. 12 is a side elevational view thereof;

FIG. 13 is a left side elevational view thereof;

FIG. 14 is a right side elevational view thereof;

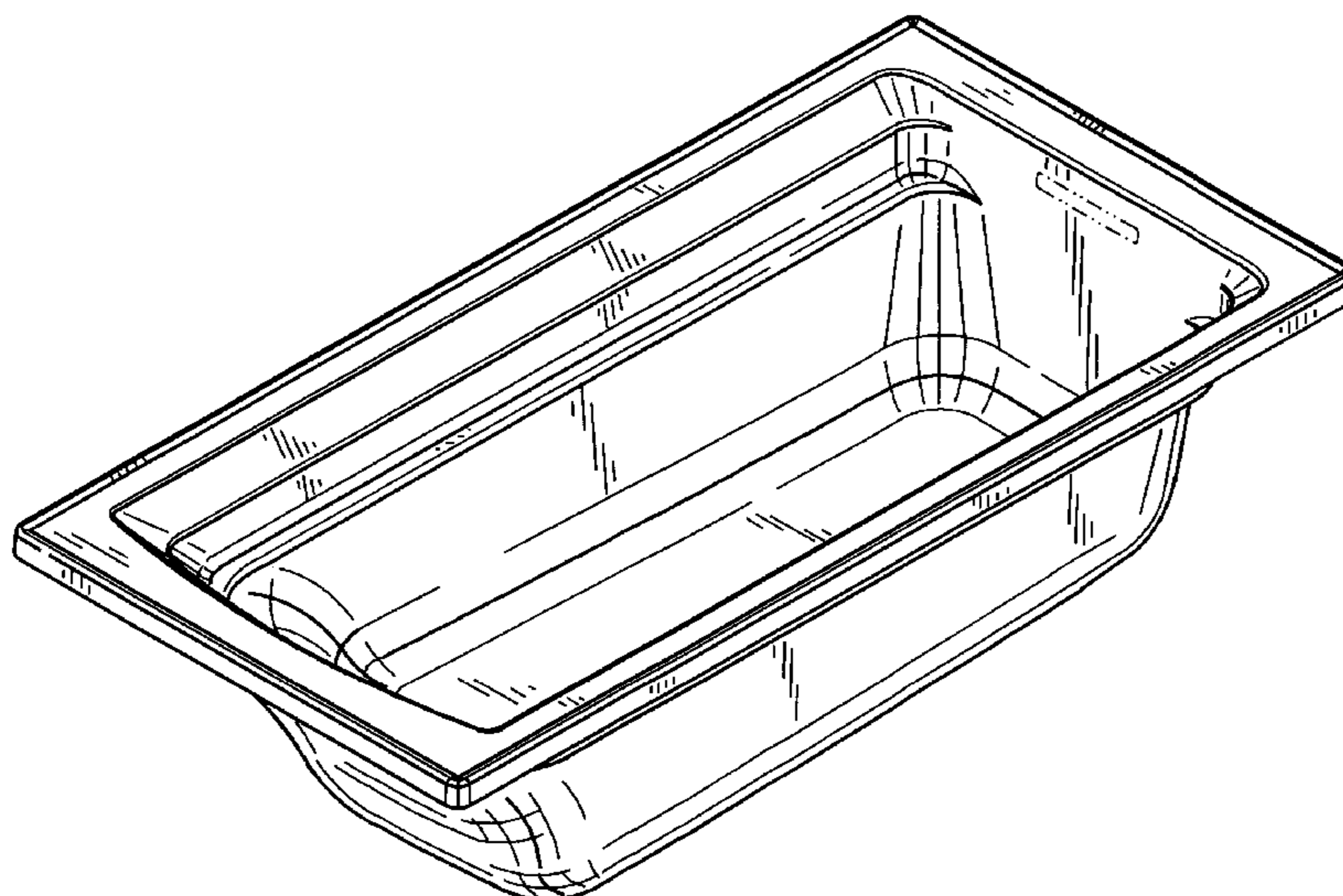
FIG. 15 is a bottom plan view thereof;

FIG. 16 is a top plan view according to another embodiment of our new design, the left side and right side elevational views thereof being identical to FIGS. 13 and 14, respectively; and,

FIG. 17 is a front elevational view thereof.

The broken line representations of wall and apron structure in FIGS. 1-9, a drain in FIGS. 2-9 and 11-17, and an overflow in FIGS. 1, 2, 5, 7, 8, 10, 11, 14, 15 and 16, are for the purpose of illustration only, and form no part of the claimed design.

1 Claim, 9 Drawing Sheets



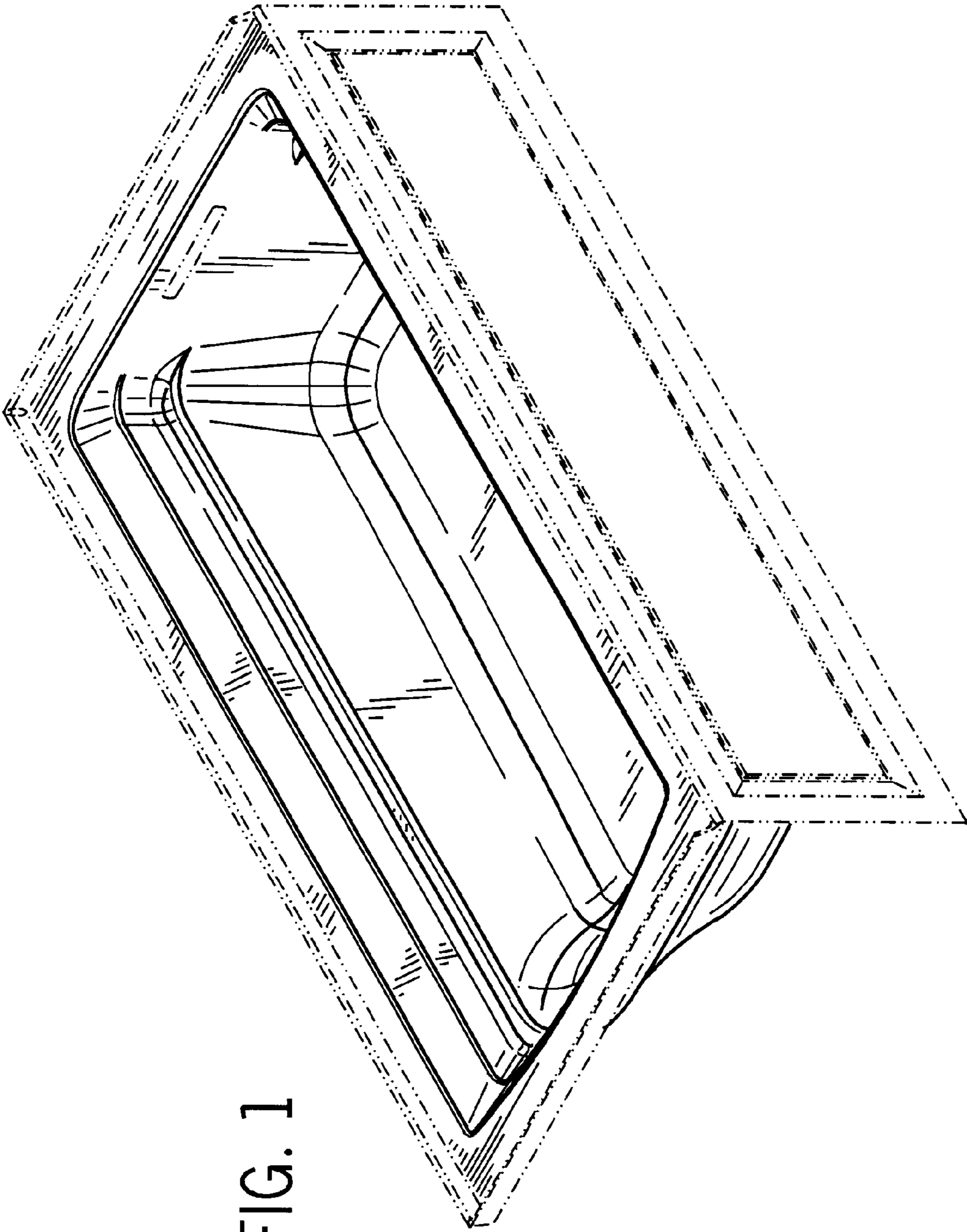


FIG. 1

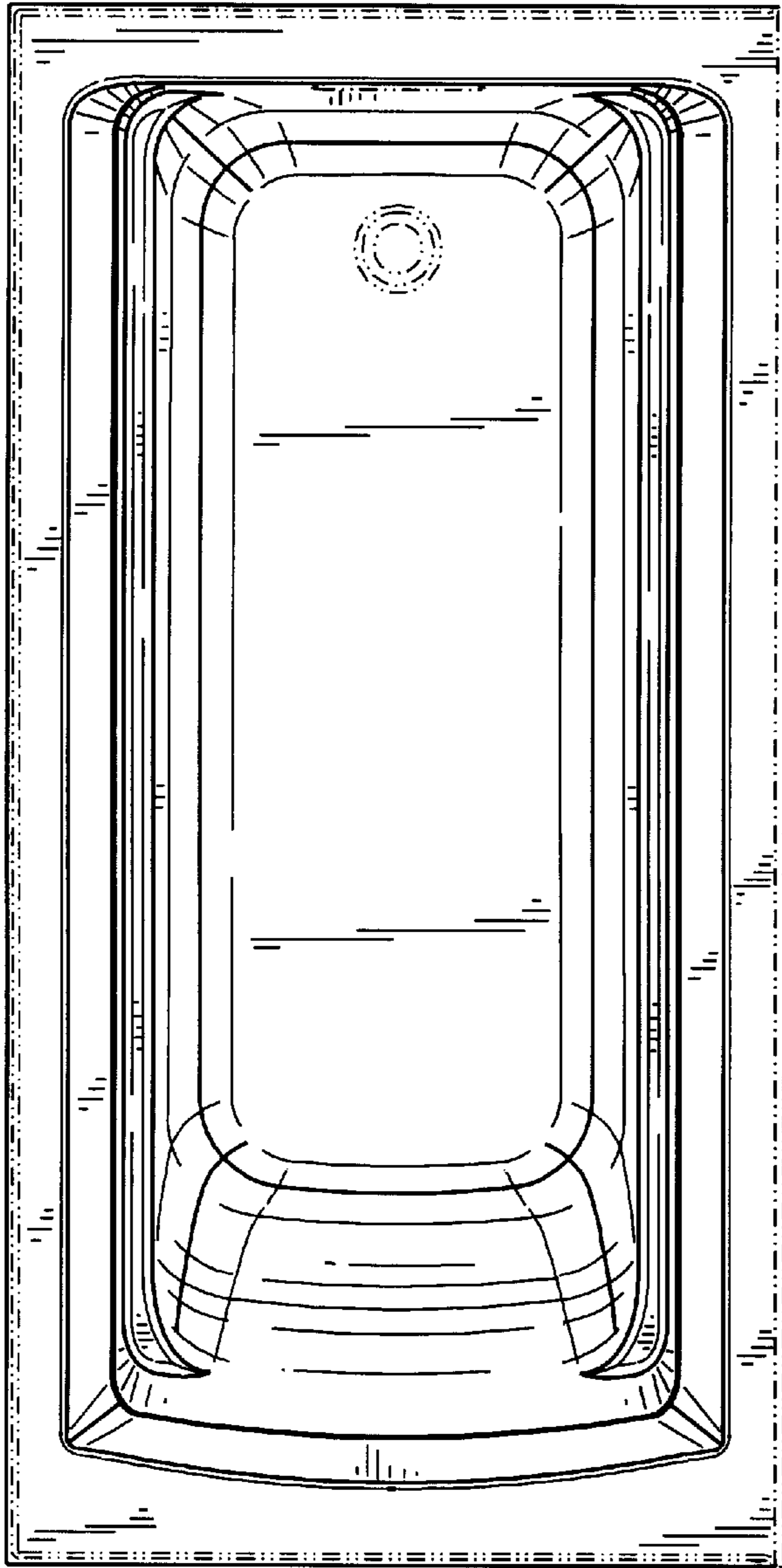


FIG. 2

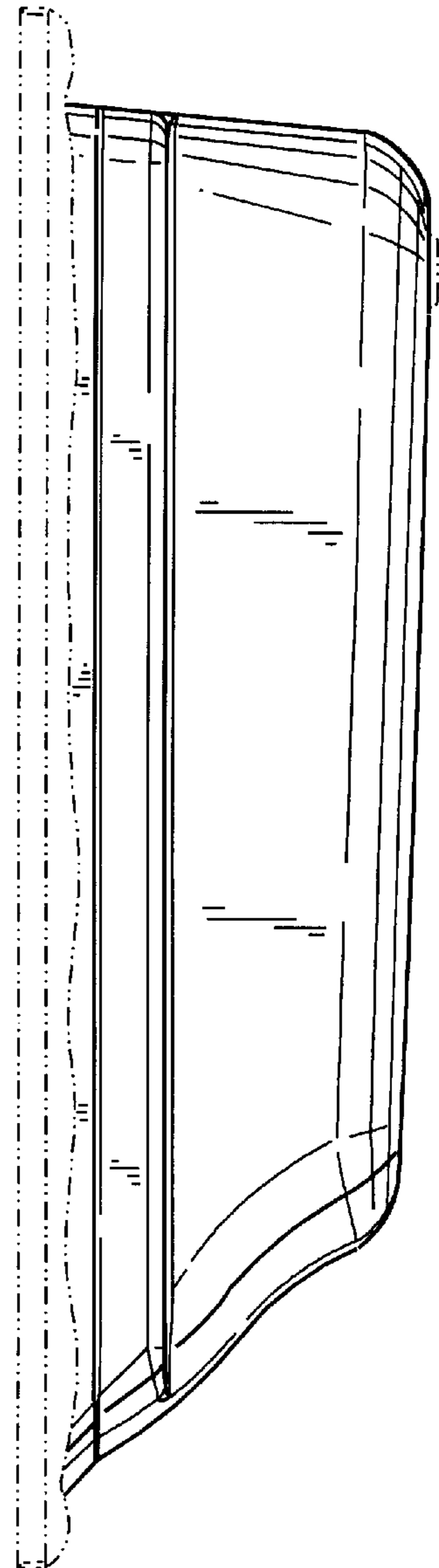


FIG. 3

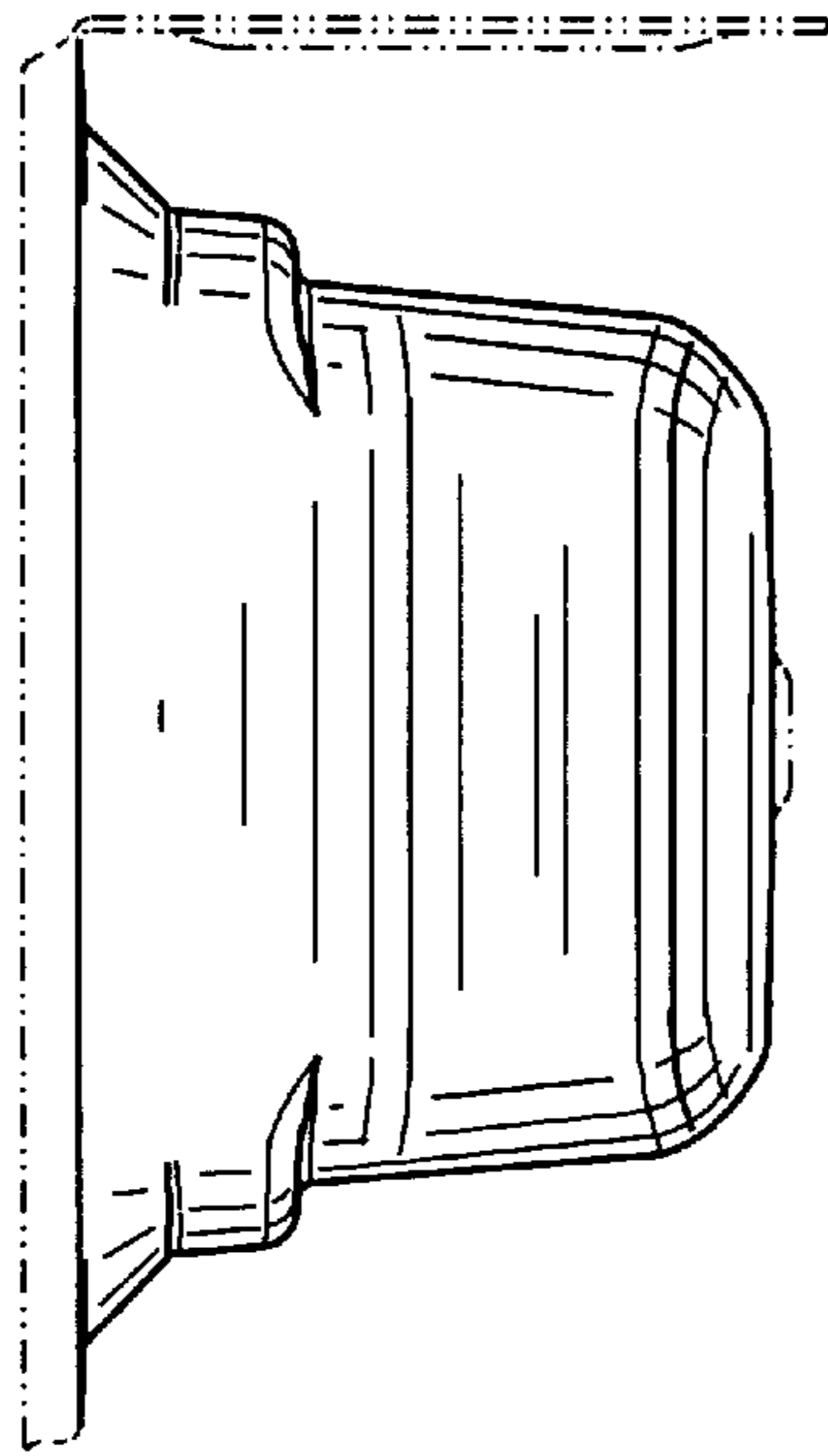


FIG. 4

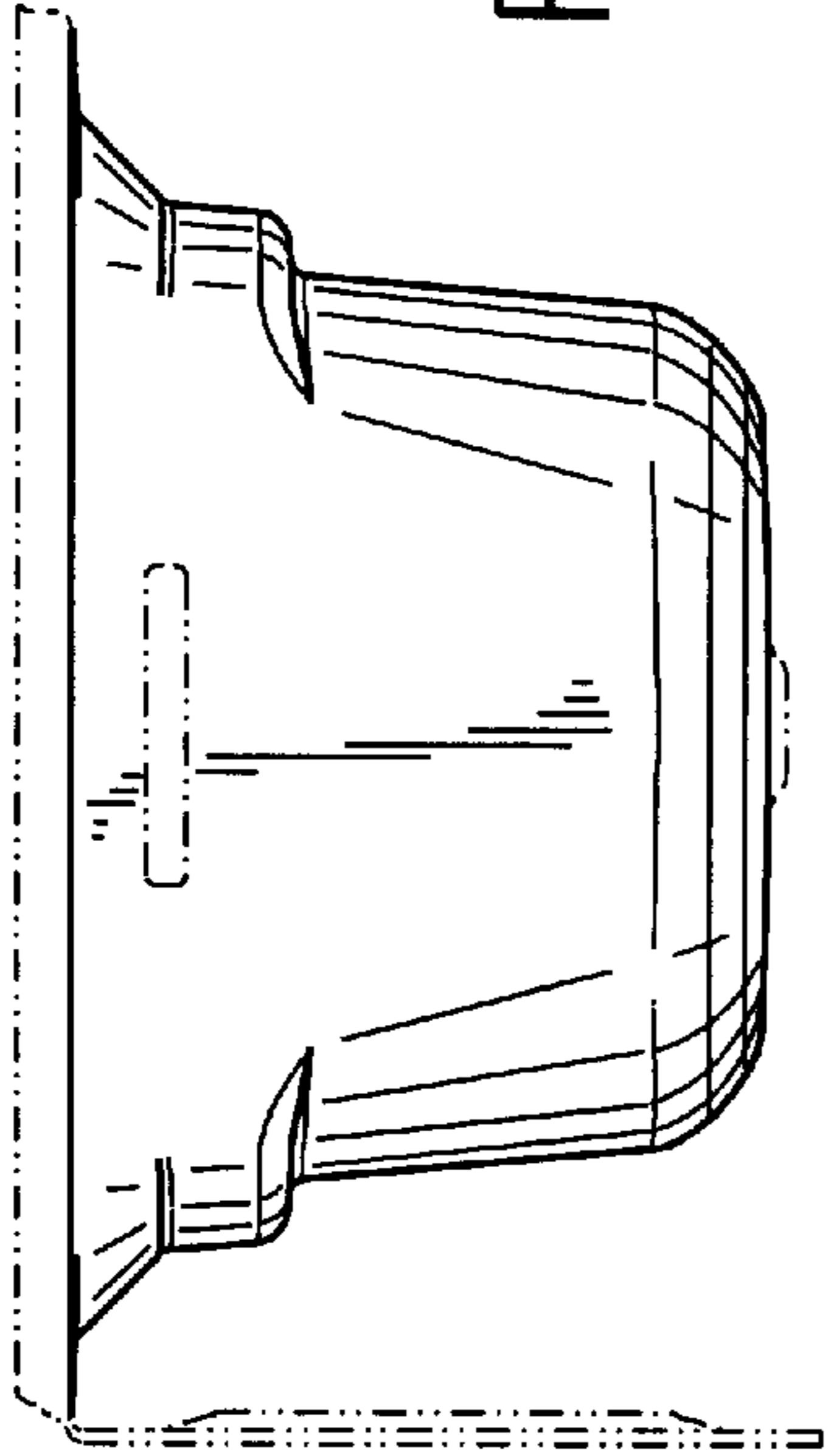


FIG. 5

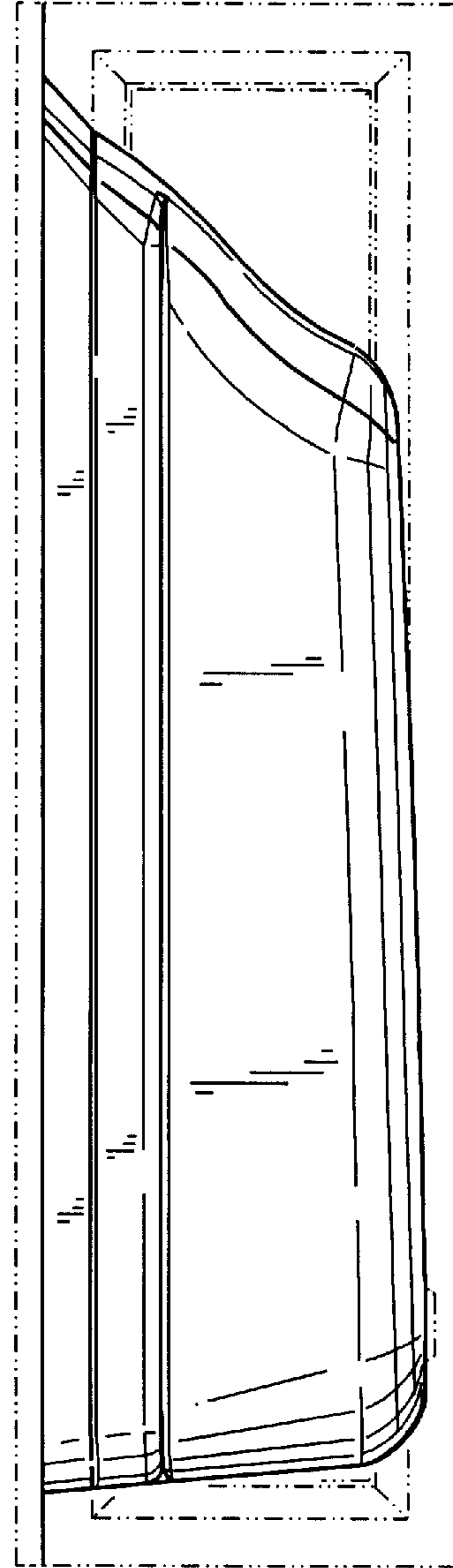
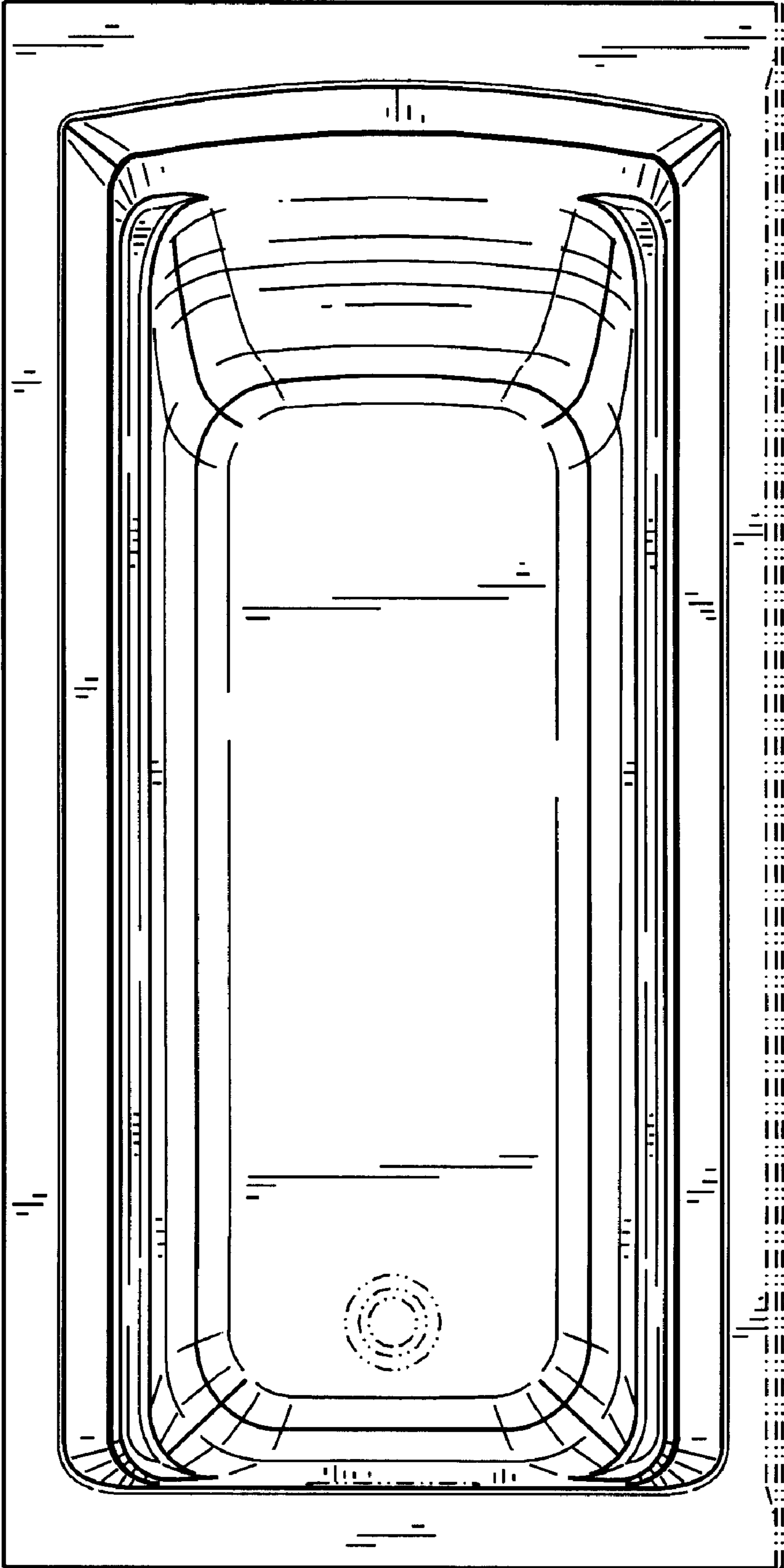


FIG. 6

FIG. 7



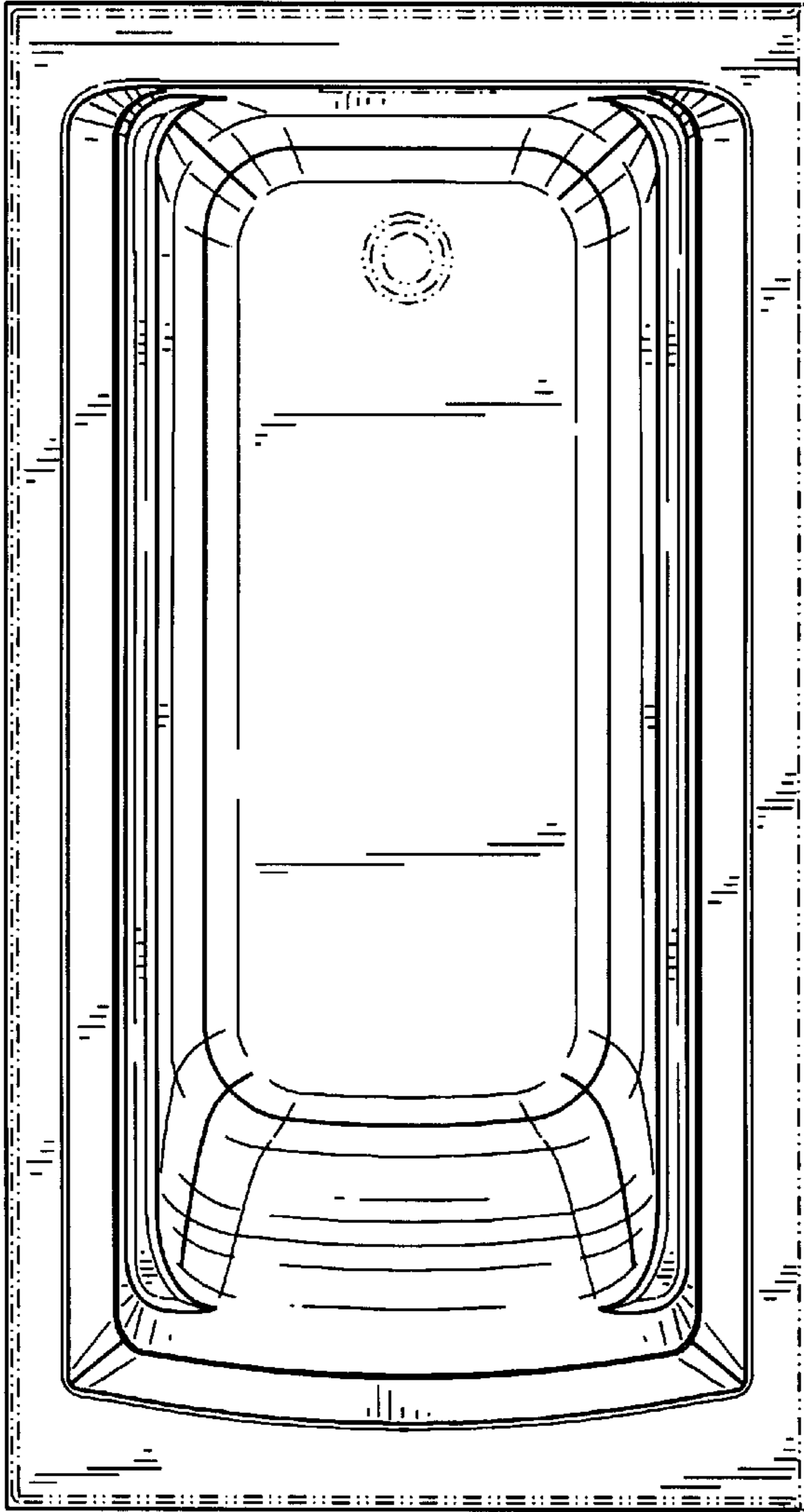


FIG. 8

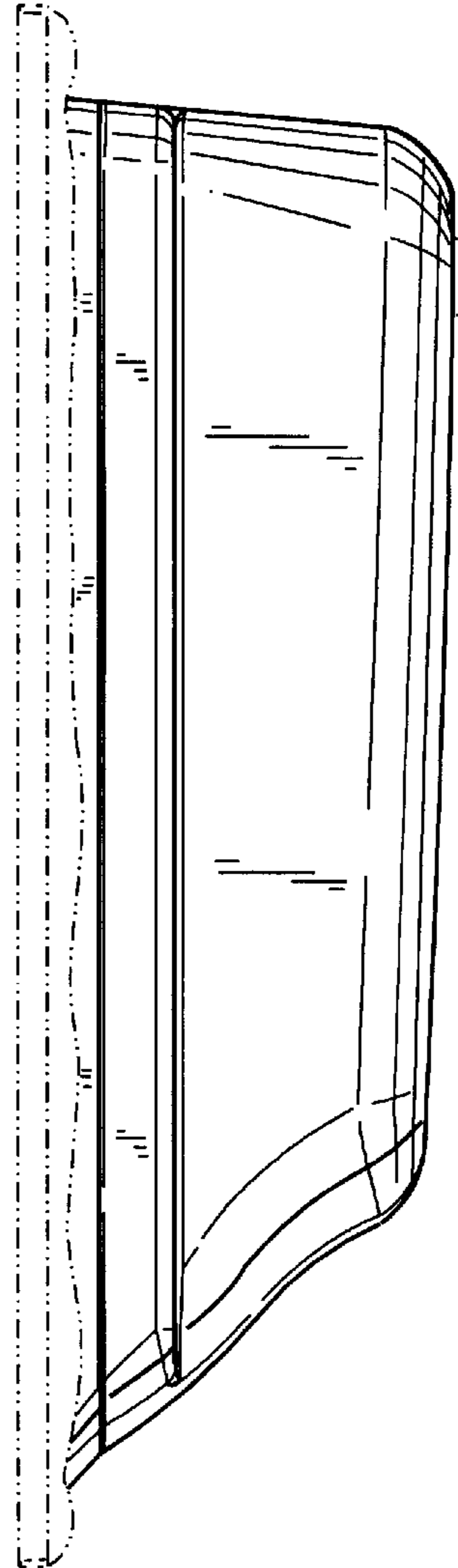


FIG. 9

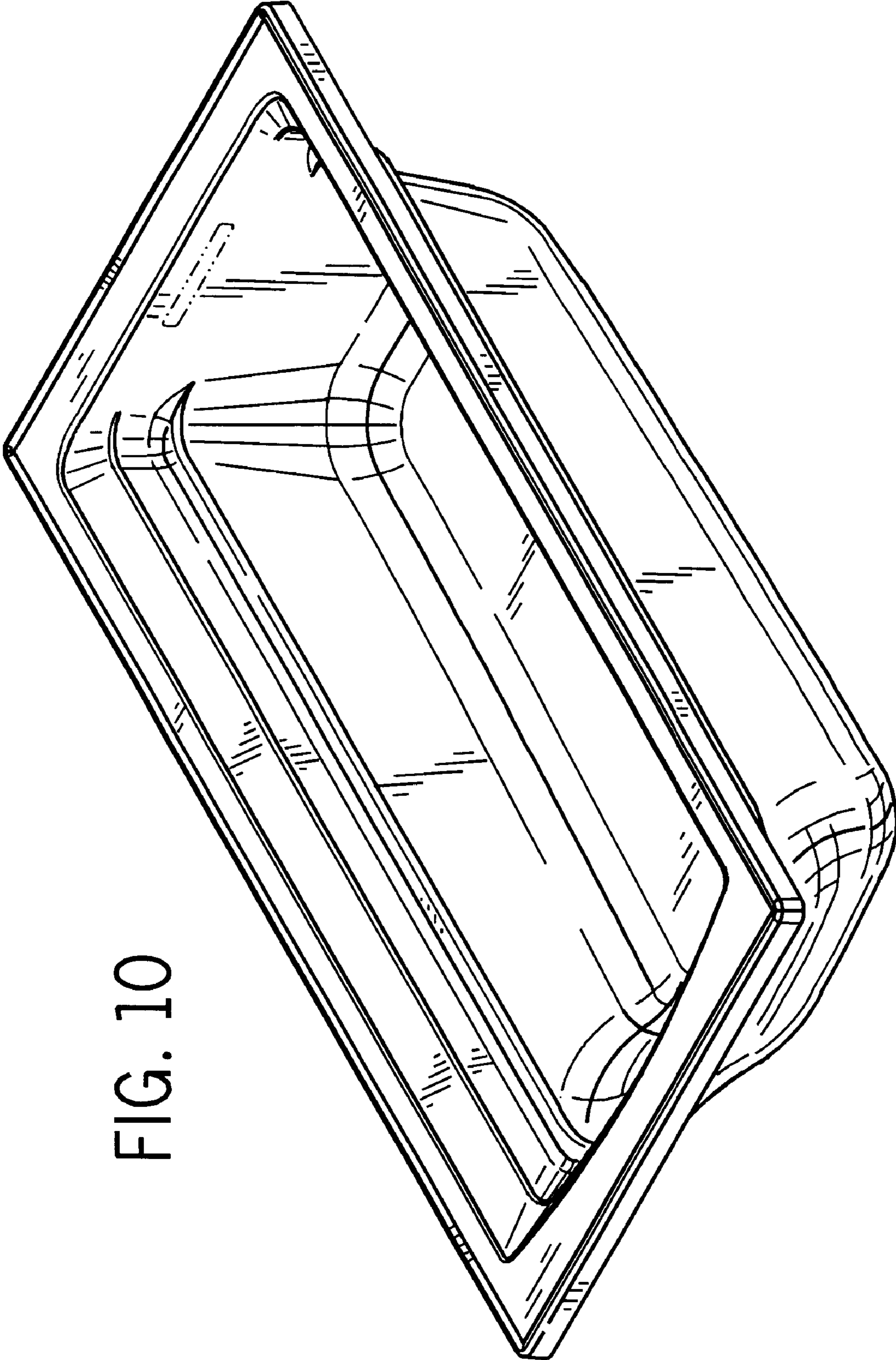


FIG. 10

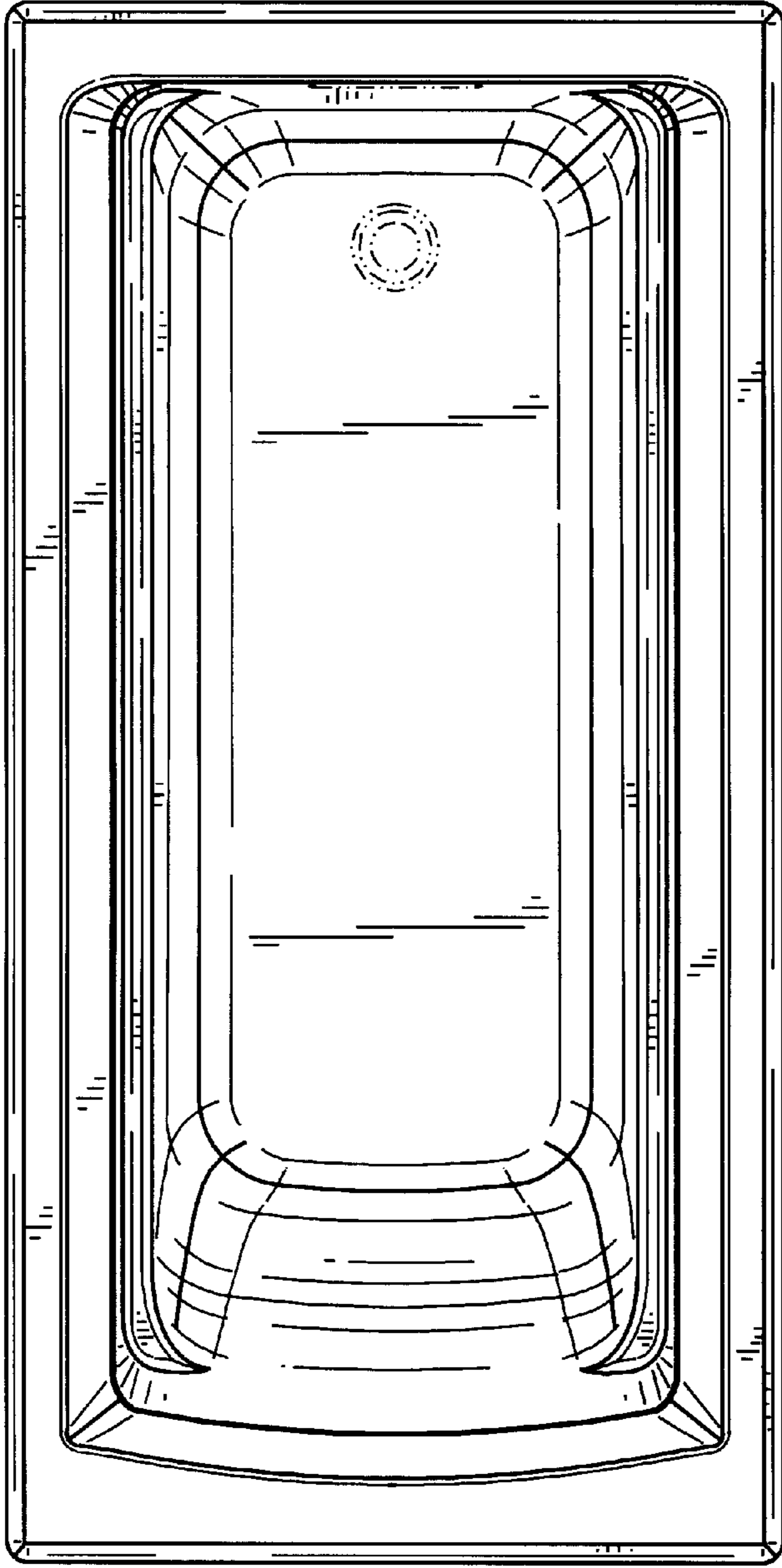


FIG. 11

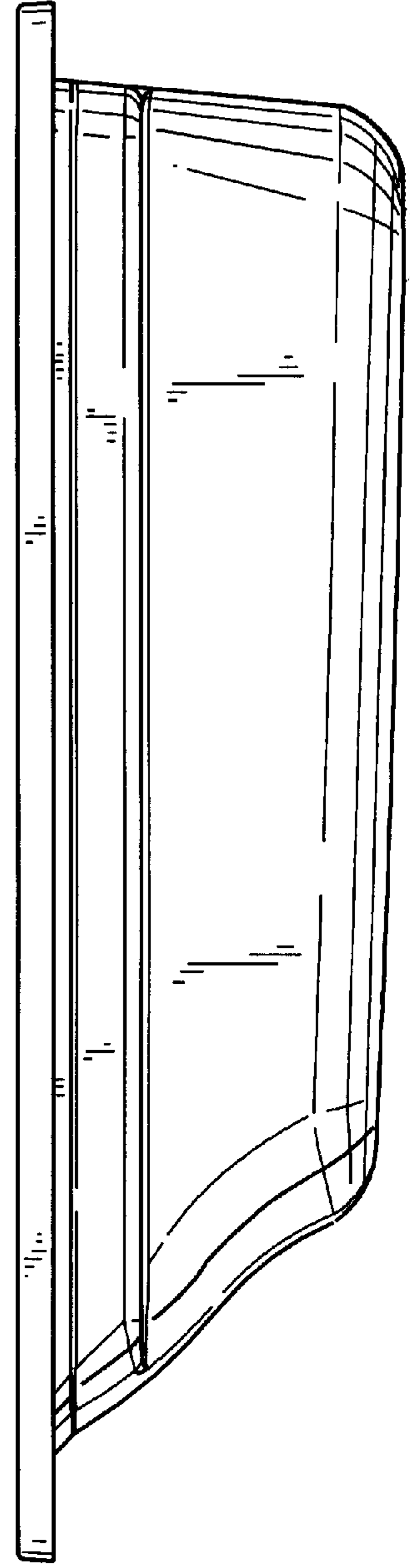


FIG. 12

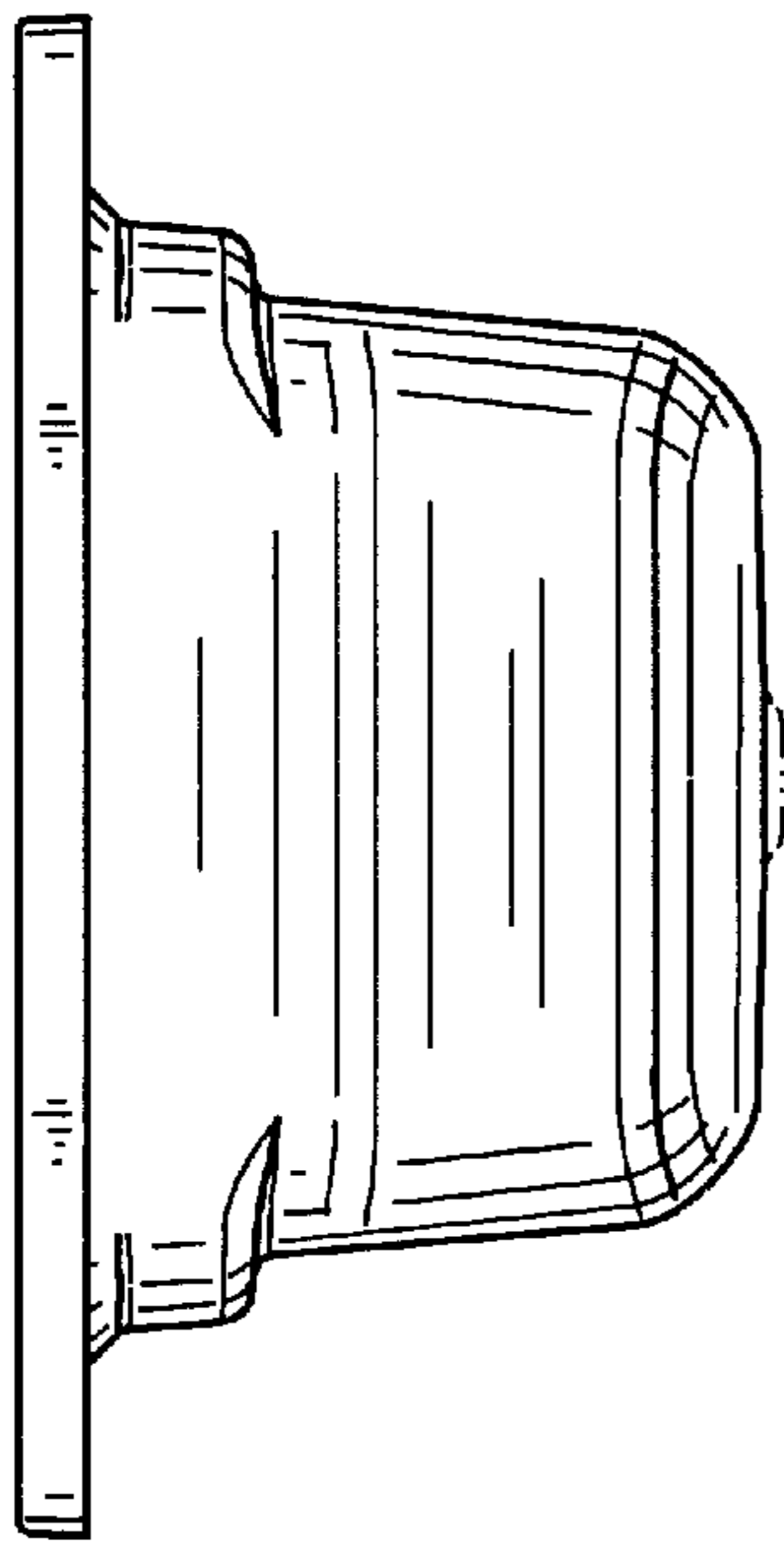


FIG. 13

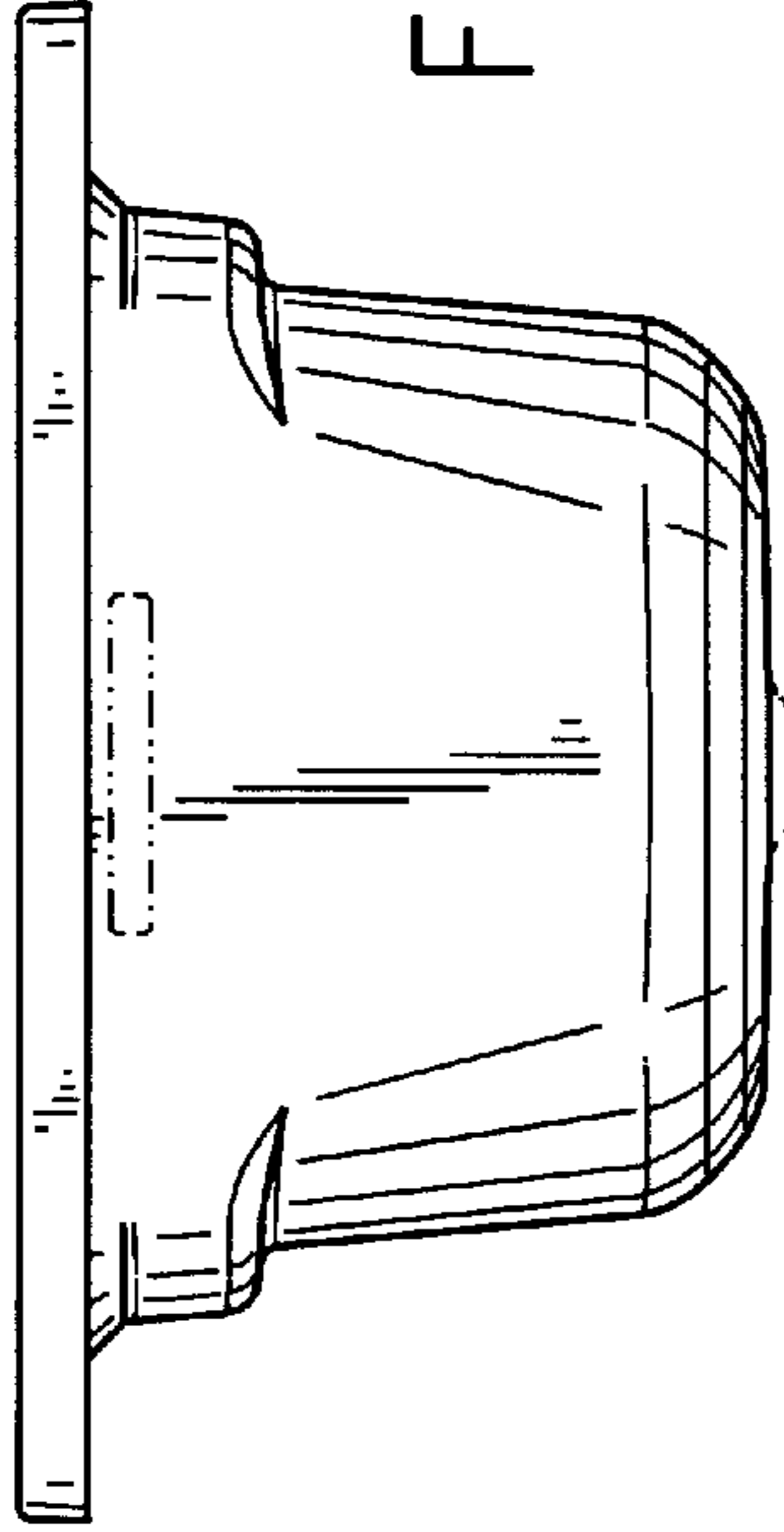


FIG. 14

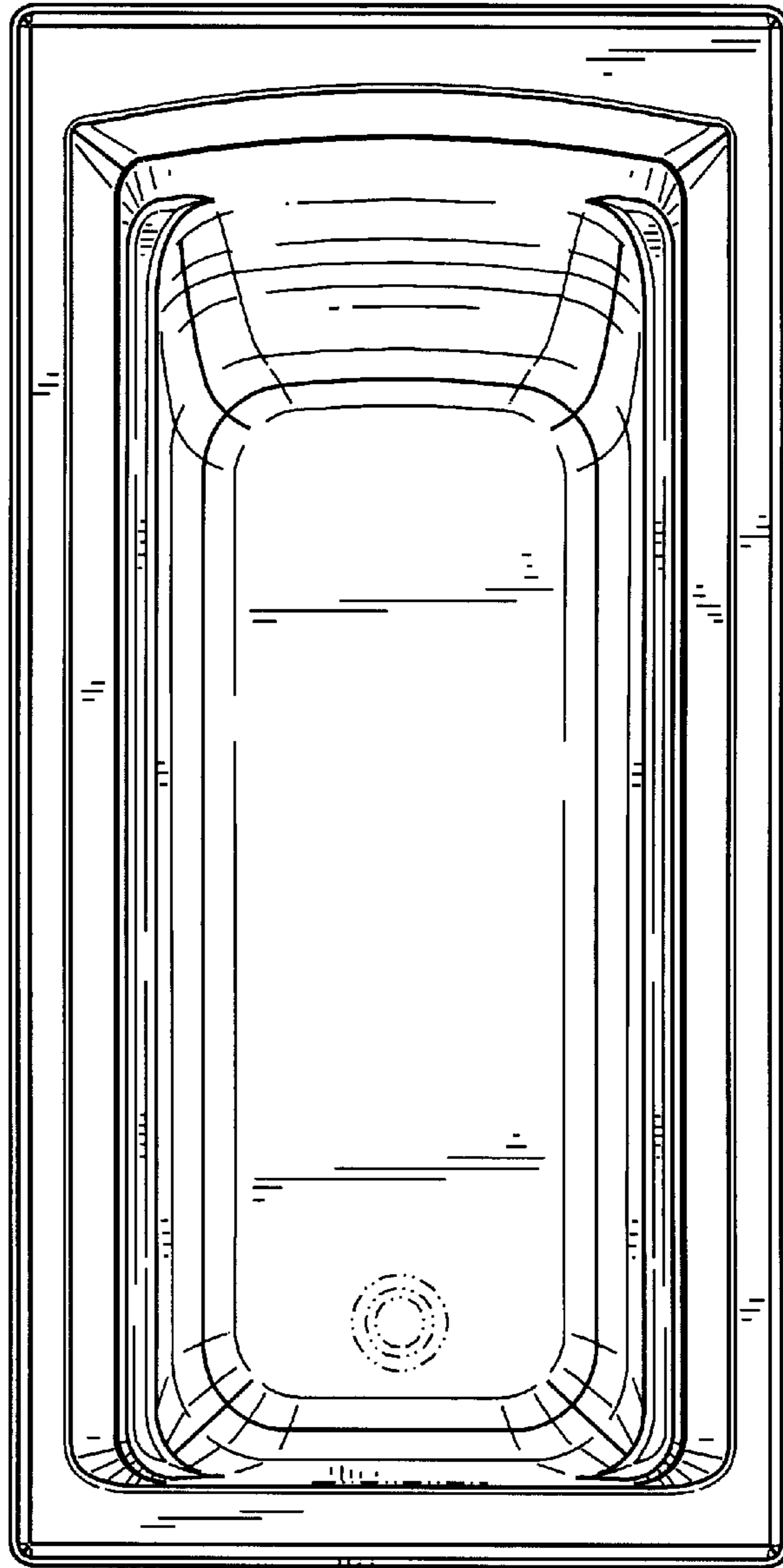


FIG. 15

FIG. 16

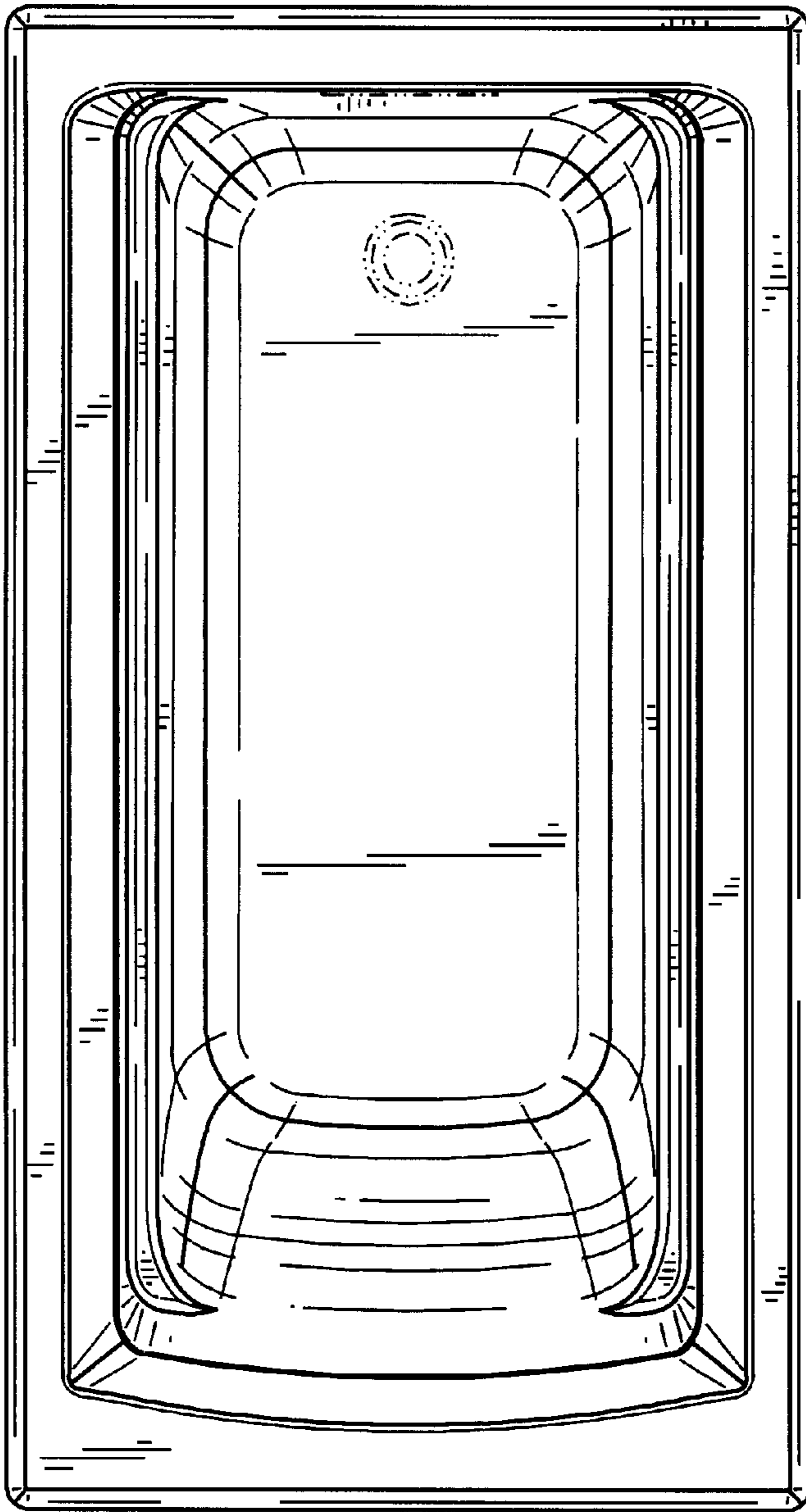


FIG. 17

