

US00D539391S

(12) **United States Design Patent**
Grether

(10) **Patent No.:** **US D539,391 S**

(45) **Date of Patent:** **** Mar. 27, 2007**

(54) **FLOW REGULATOR**

(75) Inventor: **Hermann Grether**, Müllheim (DE)

(73) Assignee: **Neoperl GmbH**, Mullheim (DE)

(**) Term: **14 Years**

(21) Appl. No.: **29/261,646**

(22) Filed: **Jun. 15, 2006**

Related U.S. Application Data

(62) Division of application No. 29/235,330, filed on Jul. 29, 2005, now Pat. No. Des. 529,140.

(30) **Foreign Application Priority Data**

Mar. 21, 2005 (EP) 000314224

(51) **LOC (8) Cl.** **23-01**

(52) **U.S. Cl.** **D23/249**

(58) **Field of Classification Search** D23/233–237,
D23/244–249, 255, 257, 260, 241, 242, 213;
138/40–42, 37; 239/428.5, 552, 553.3, 553.5;
261/DIG. 22

See application file for complete search history.

(56) **References Cited**

U.S. PATENT DOCUMENTS

- 2,793,016 A 5/1957 Aghnides
- 2,797,906 A * 7/1957 Aghnides 261/76
- 2,849,217 A * 8/1958 Bachli et al. 261/76
- 3,363,841 A * 1/1968 Aghnides 239/428.5
- 4,313,564 A 2/1982 Shames et al.

- 4,971,117 A * 11/1990 Hendrickson 138/41
- 5,467,929 A 11/1995 Bosio
- D428,114 S 7/2000 Le Bars
- 6,126,093 A 10/2000 Grether et al.
- 6,152,182 A 11/2000 Grether et al.
- 6,892,964 B2 5/2005 Grether et al.
- 6,902,123 B2 6/2005 Grether et al.
- D516,182 S 2/2006 Buttgen
- 7,093,425 B2 * 8/2006 Jankowski et al. 60/284
- 2006/0011748 A1 1/2006 Ferrari

* cited by examiner

Primary Examiner—Ian Simmons

Assistant Examiner—Maurice Stevens

(74) *Attorney, Agent, or Firm*—Volpe & Koenig, P.C.

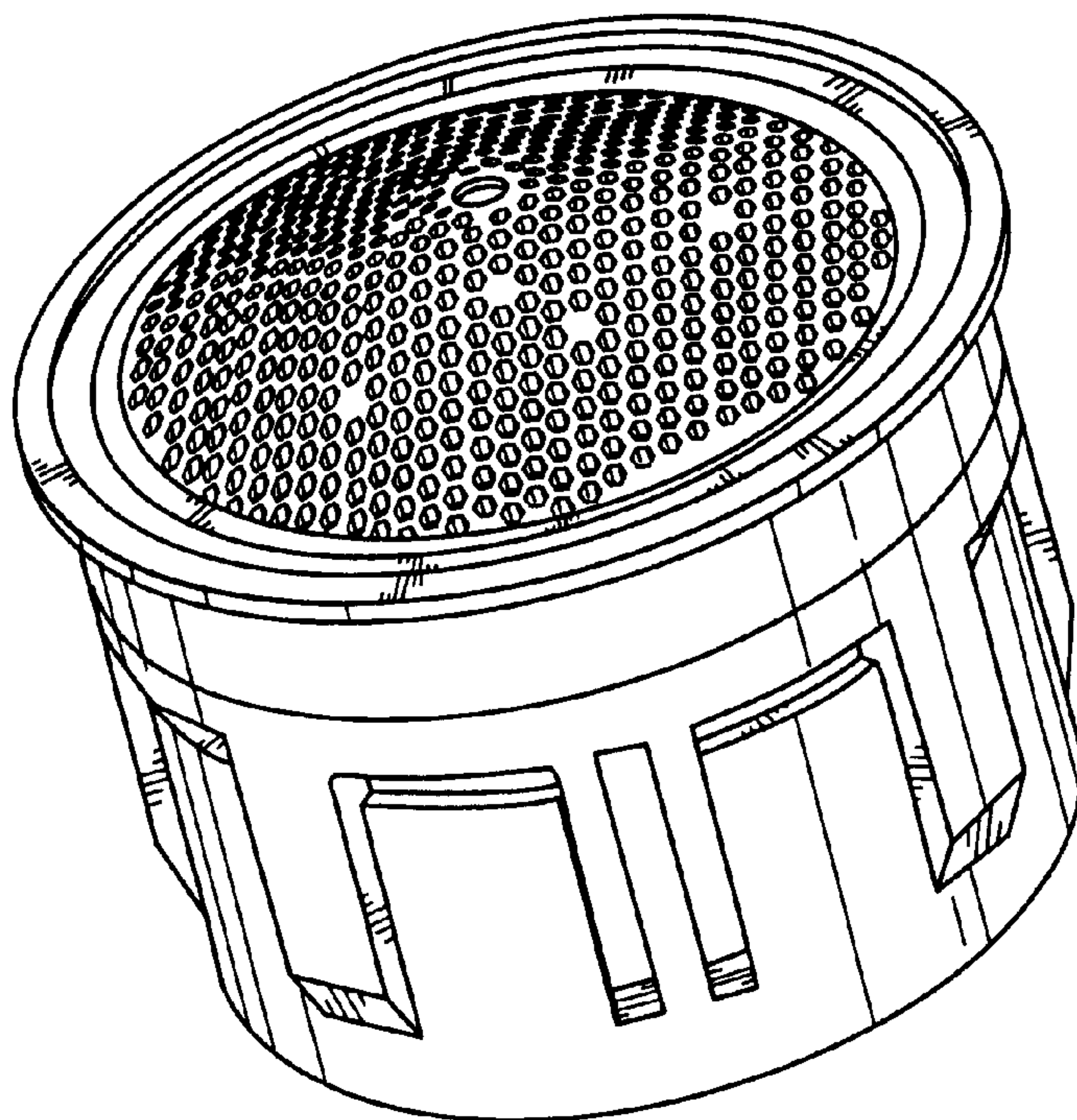
(57) **CLAIM**

The ornamental design for a flow regulator, as shown and described.

DESCRIPTION

FIG. 1 is a top perspective view of a flow regulator showing my new design;
 FIG. 2 is a front elevational view of the flow regulator of FIG. 1;
 FIG. 3 is a top plan view of the flow regulator of FIG. 1;
 FIG. 4 is a side elevational view of the flow regulator of FIG. 1;
 FIG. 5 is a back elevational view of the flow regulator of FIG. 1; and,
 FIG. 6 is a bottom plan view of the flow regulator of FIG. 1.

1 Claim, 3 Drawing Sheets



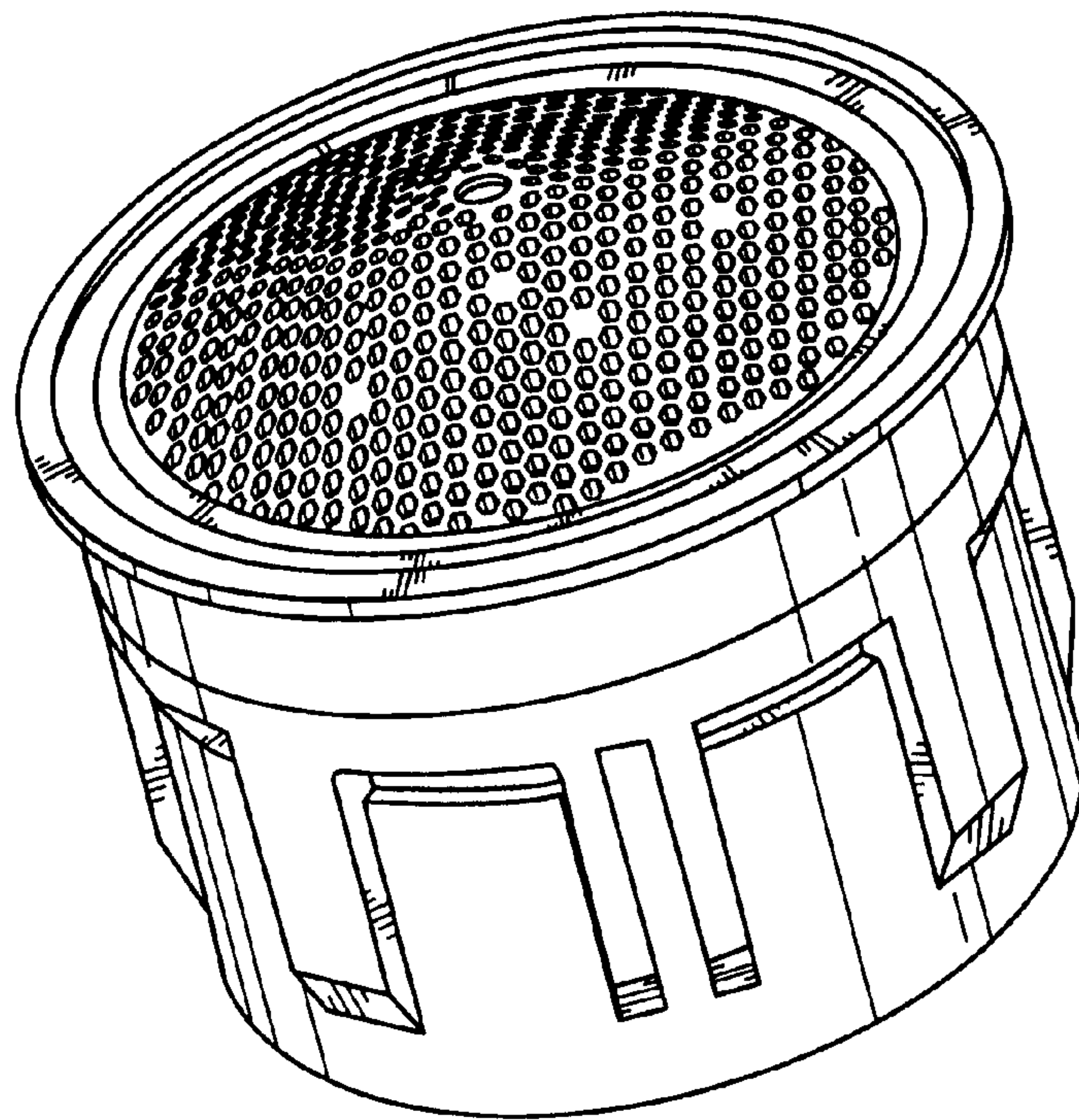


FIG. 1

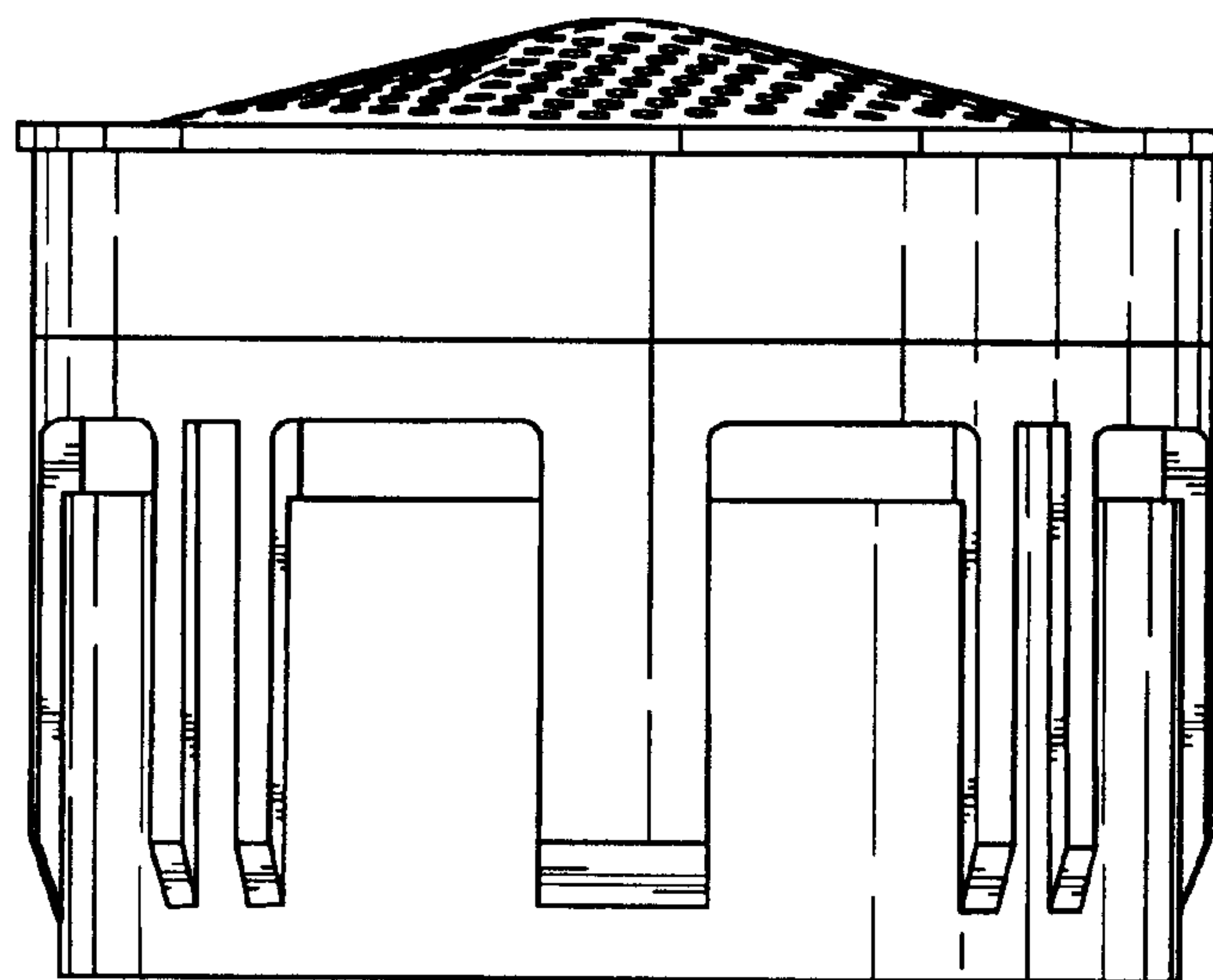


FIG. 2

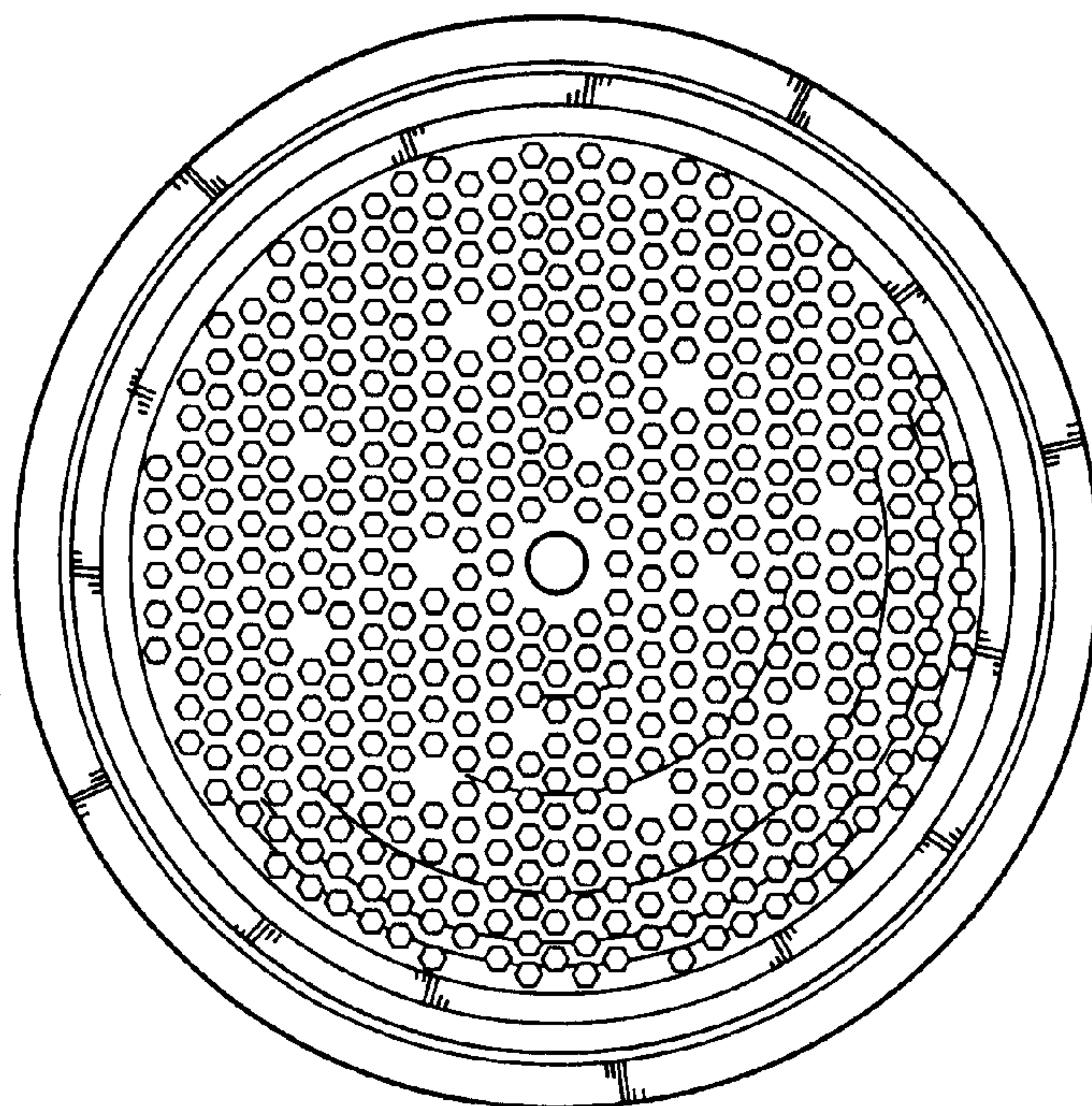


FIG. 3

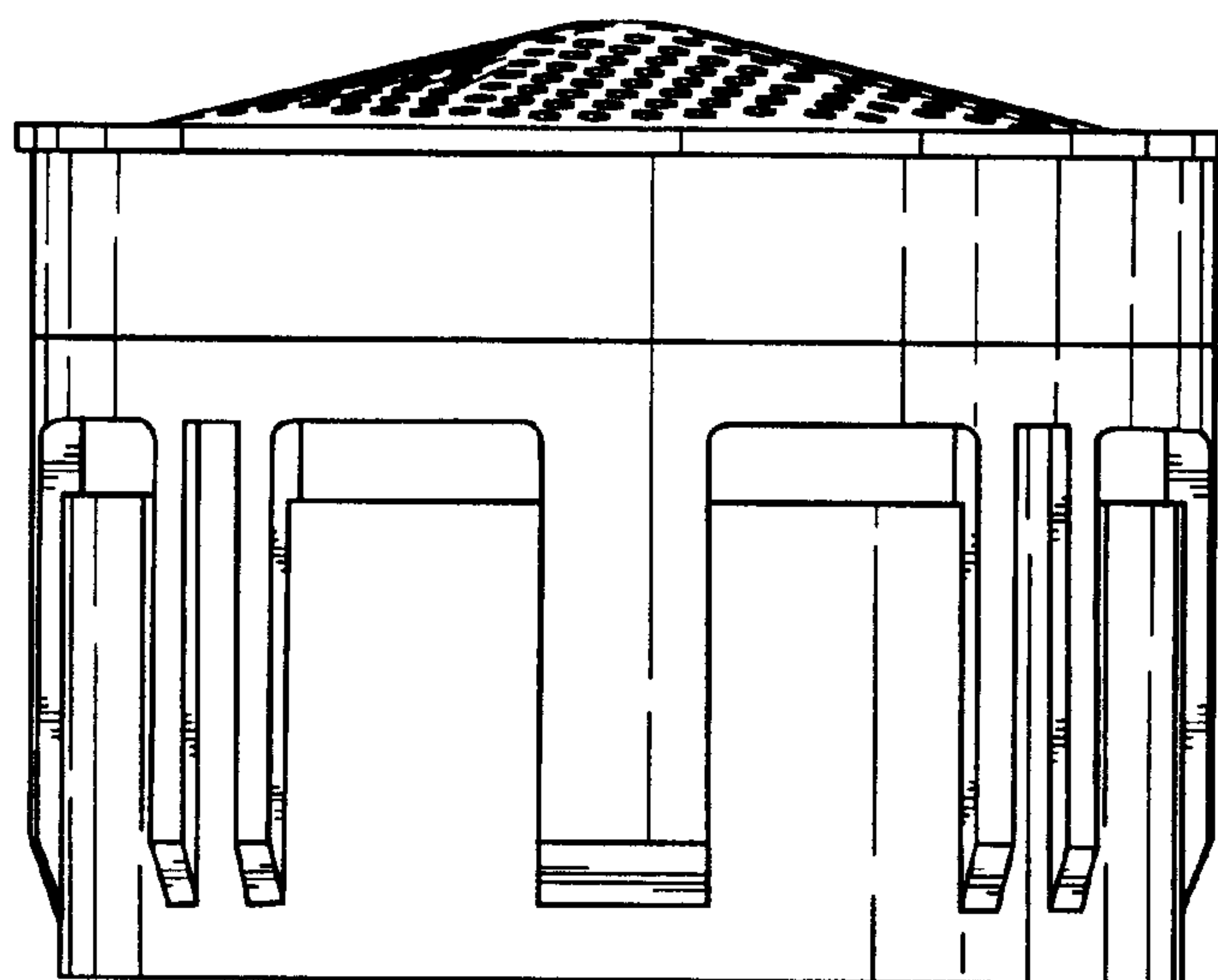


FIG. 4

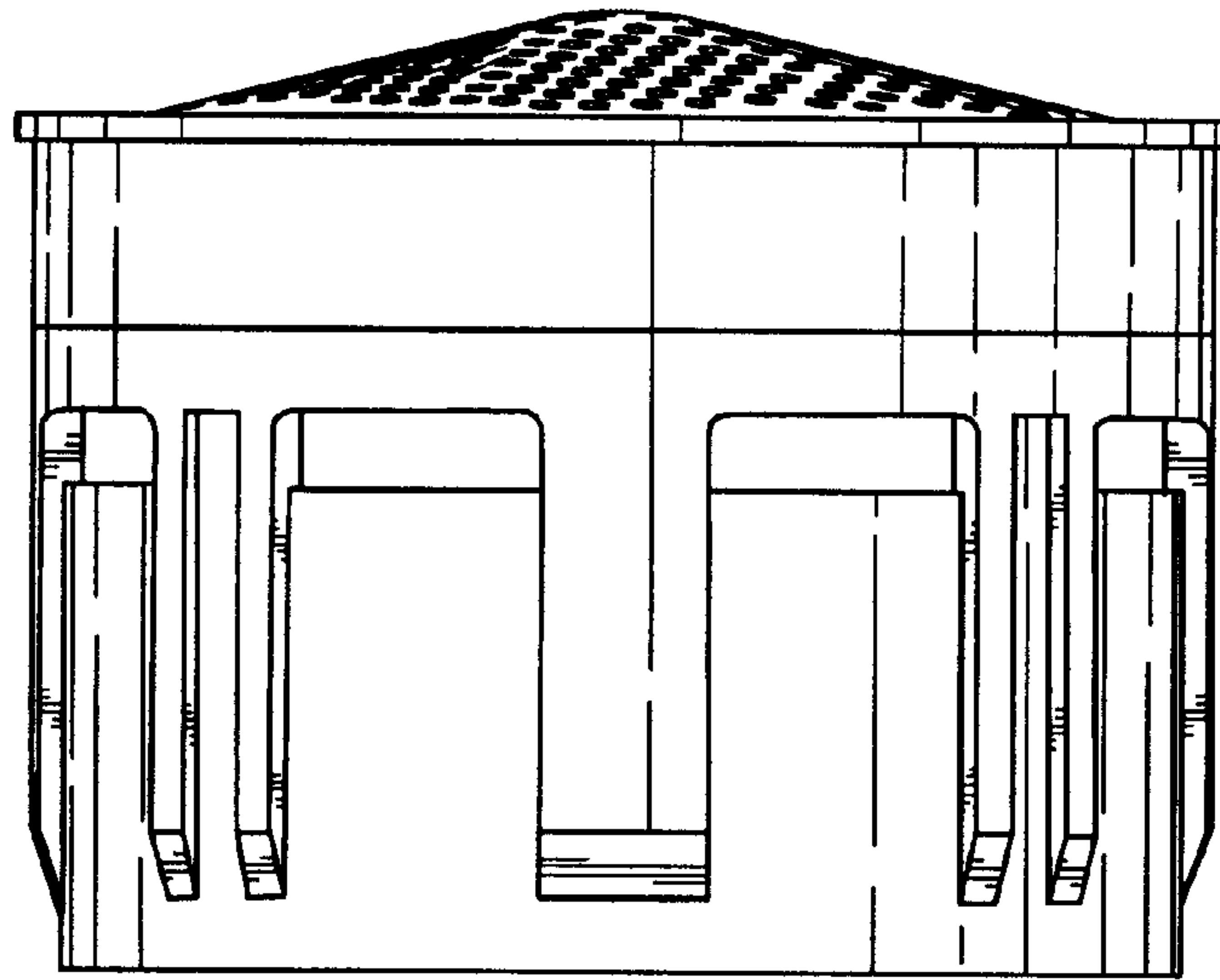


FIG. 5

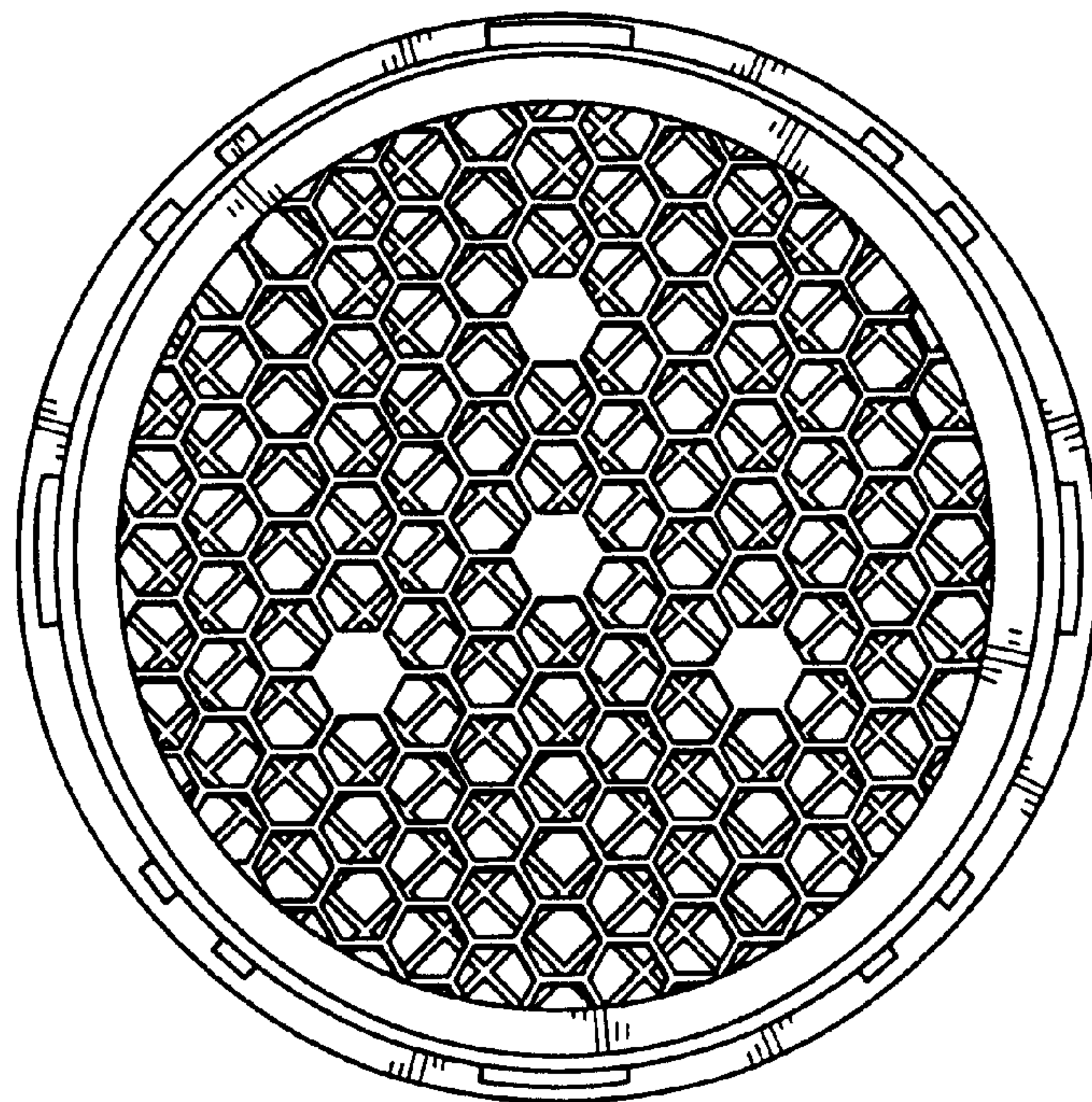


FIG. 6