



US00D539389S

(12) **United States Design Patent**
Stein

(10) **Patent No.:** **US D539,389 S**

(45) **Date of Patent:** **** Mar. 27, 2007**

(54) **WATER FAUCET**

(75) Inventor: **Michael Stein**, Neuss (DE)

(73) Assignee: **Kludi GmbH & Co. KG**, Menden (DE)

(**) Term: **14 Years**

(21) Appl. No.: **29/237,277**

(22) Filed: **Aug. 29, 2005**

(51) **LOC (8) Cl.** **23-01**

(52) **U.S. Cl.** **D23/241; D23/242**

(58) **Field of Classification Search** **D23/238-257;**
4/675-678; 137/801

See application file for complete search history.

(56) **References Cited**

U.S. PATENT DOCUMENTS

D280,437 S	*	9/1985	Rademacher	D23/242
D290,159 S	*	6/1987	Jans	D23/242
D299,159 S	*	12/1988	Arnolds	D23/242
D312,496 S	*	11/1990	Strignano	D23/242

D318,902 S	*	8/1991	Razumov	D23/242
D324,416 S	*	3/1992	Stairs et al.	D23/255
D350,595 S	*	9/1994	Paul	D23/257

* cited by examiner

Primary Examiner—Louis S. Zarfaz

Assistant Examiner—G. Andoll

(74) *Attorney, Agent, or Firm*—Milde & Hoffberg, LLP

(57) **CLAIM**

The ornamental design for a water faucet, as shown and described.

DESCRIPTION

FIG. 1 is a perspective view of the water faucet according to this design.

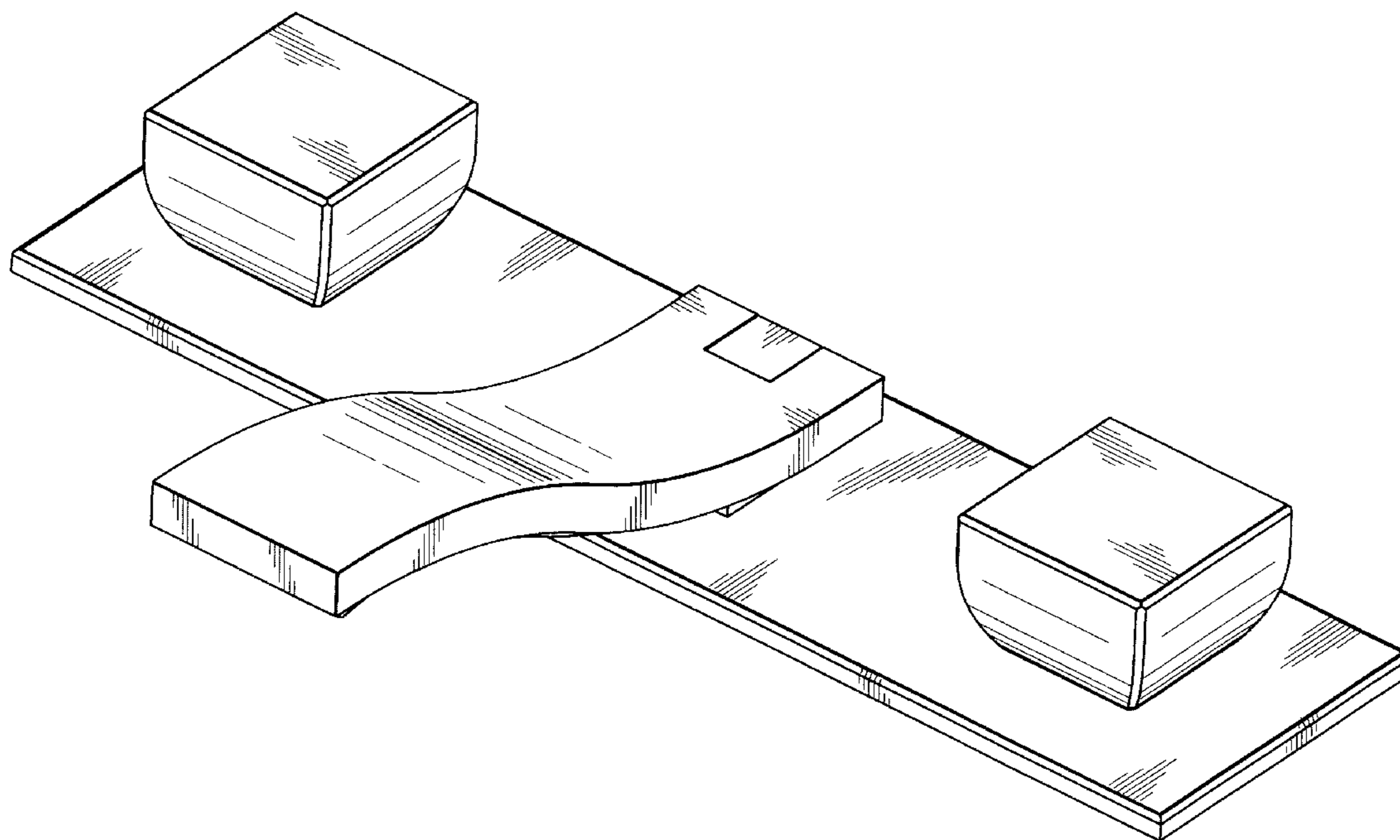
FIG. 2 is second perspective view of the water faucet of FIG. 1.

FIG. 3 is a top view of the water faucet of FIG. 1.

FIG. 4 is a side view of the water faucet of FIG. 1; and,

FIG. 5 is a front elevational view of the water faucet of FIG. 1.

1 Claim, 5 Drawing Sheets



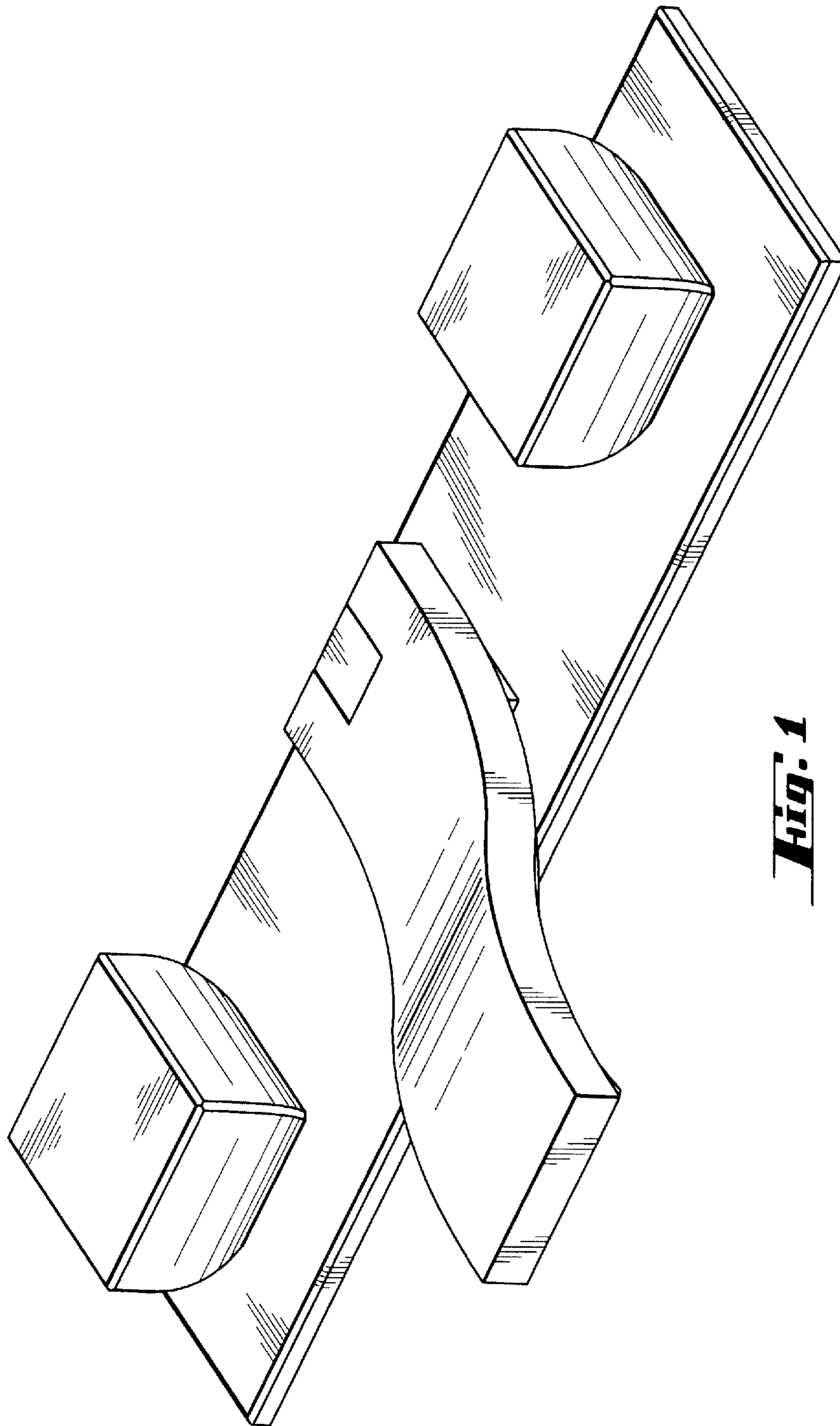


Fig. 1

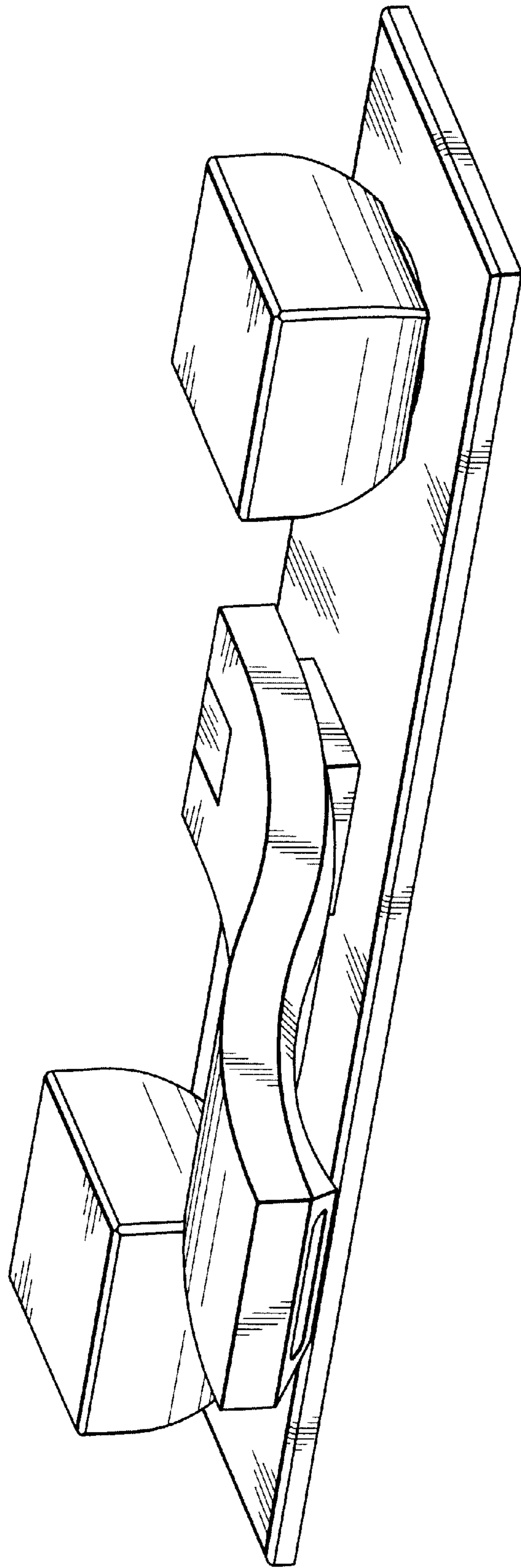


Fig. 2

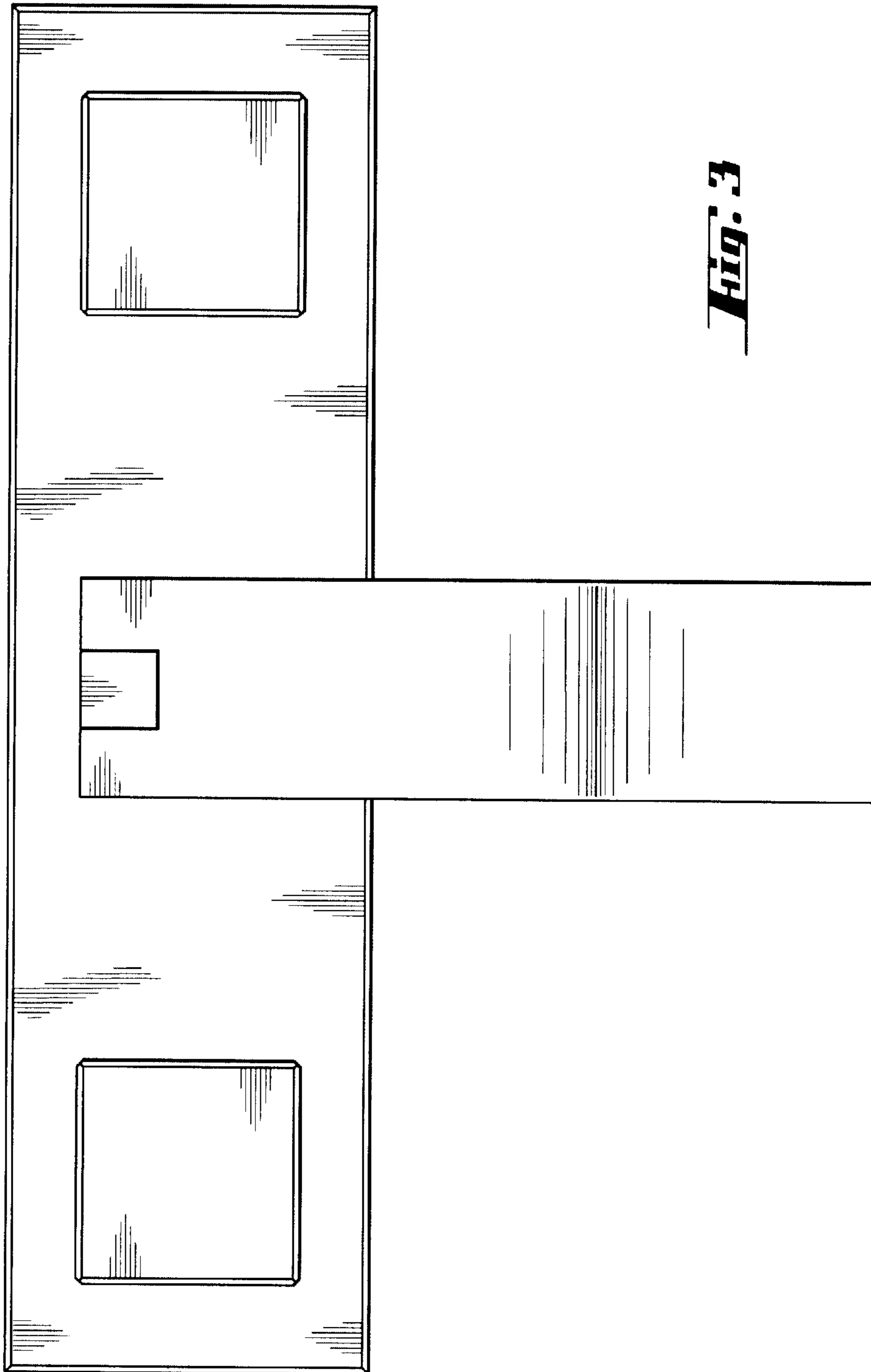


FIG. 3

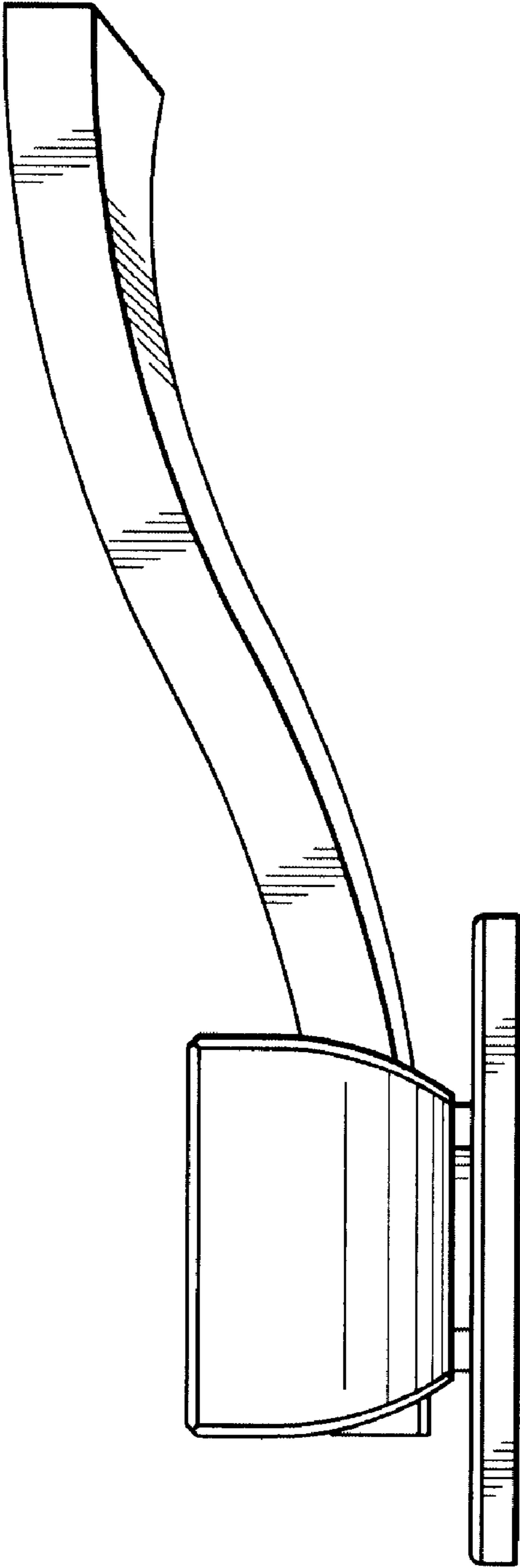


Fig. 4

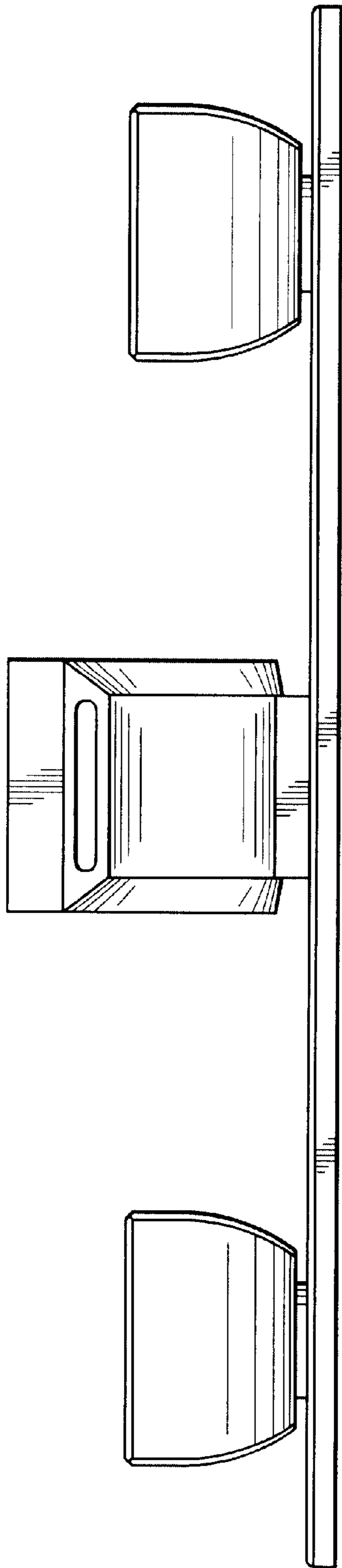


Fig. 5