



US00D539387S

(12) **United States Design Patent**
Donovan et al.

(10) **Patent No.:** **US D539,387 S**

(45) **Date of Patent:** **** Mar. 27, 2007**

(54) **VALVE**

(75) Inventors: **Ryan W. Donovan**, Tucson, AZ (US);
Clint R. Haas, Tucson, AZ (US); **Neil Jolly**, Tucson, AZ (US)

(73) Assignee: **Rain Bird Corporation**, Azusa, CA (US)

(**) **Term:** **14 Years**

(21) Appl. No.: **29/243,721**

(22) Filed: **Nov. 30, 2005**

(51) **LOC (8) Cl.** **23-01**

(52) **U.S. Cl.** **D23/233**

(58) **Field of Classification Search** D23/233-237,
D23/244-249, 209; 137/15.04, 15.08; 251/149.1,
251/214; 210/342, 234, 412

See application file for complete search history.

(56) **References Cited**

U.S. PATENT DOCUMENTS

D373,176 S * 8/1996 Booth et al. D23/233
D476,718 S * 7/2003 Ferrer Beltran D23/209

D478,965 S * 8/2003 Ferrer Beltran D23/233
D479,307 S * 9/2003 Ferrer Beltran D23/233
D494,252 S * 8/2004 Kline D23/233
D504,715 S * 5/2005 Hagihara D23/235

* cited by examiner

Primary Examiner—Ian Simmons

Assistant Examiner—Maurice Stevens

(74) *Attorney, Agent, or Firm*—Fitch, Even, Tabin & Flannery

(57) **CLAIM**

We claim the ornamental design for a valve, as shown and described.

DESCRIPTION

FIG. 1 is a perspective view of a valve, showing our new design;

FIG. 2 is a side elevational view thereof;

FIG. 3 is an opposite side elevational view thereof;

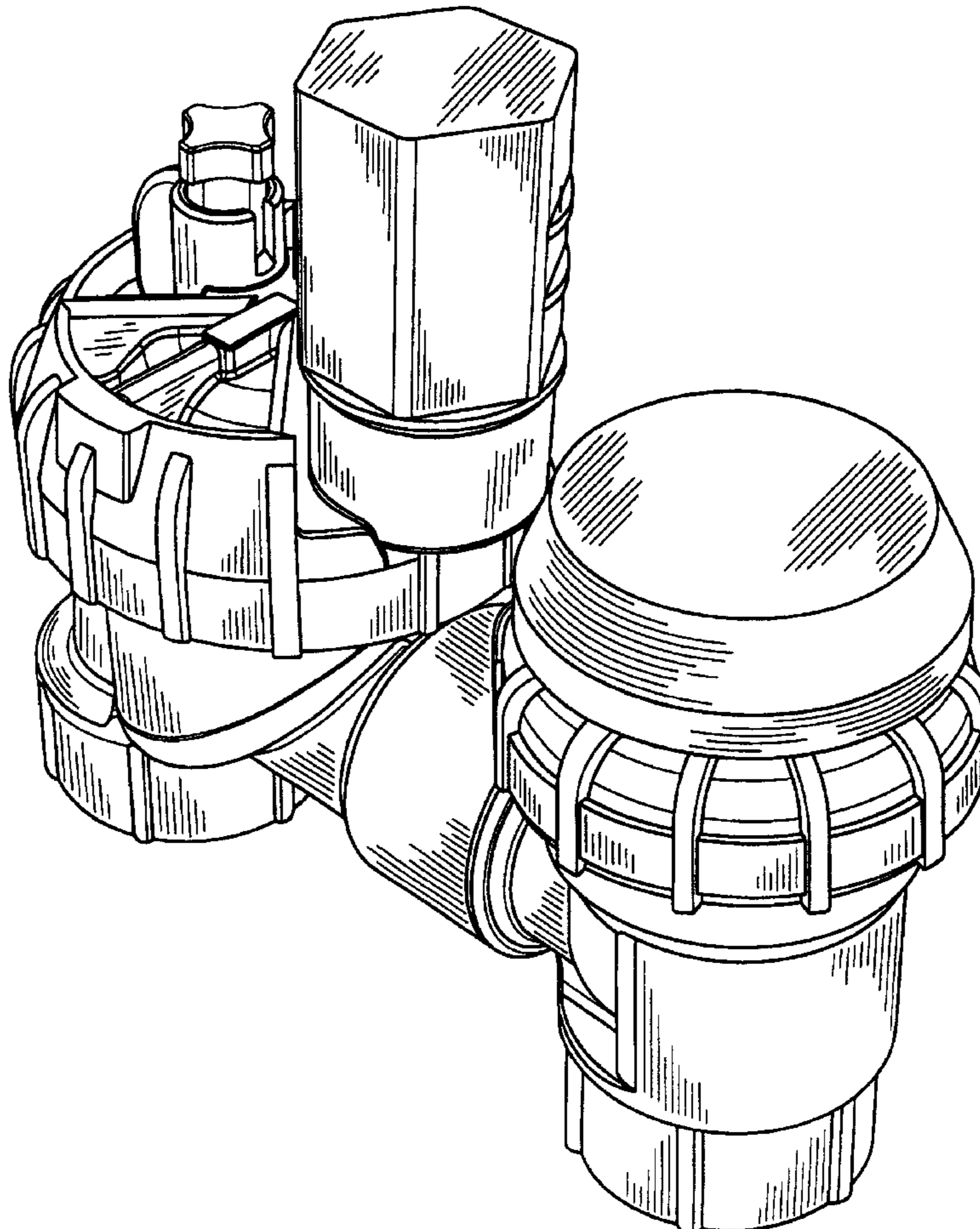
FIG. 4 is a front elevational view thereof;

FIG. 5 is a rear elevational view thereof;

FIG. 6 is a top plan view thereof; and,

FIG. 7 is a bottom plan view thereof.

1 Claim, 6 Drawing Sheets



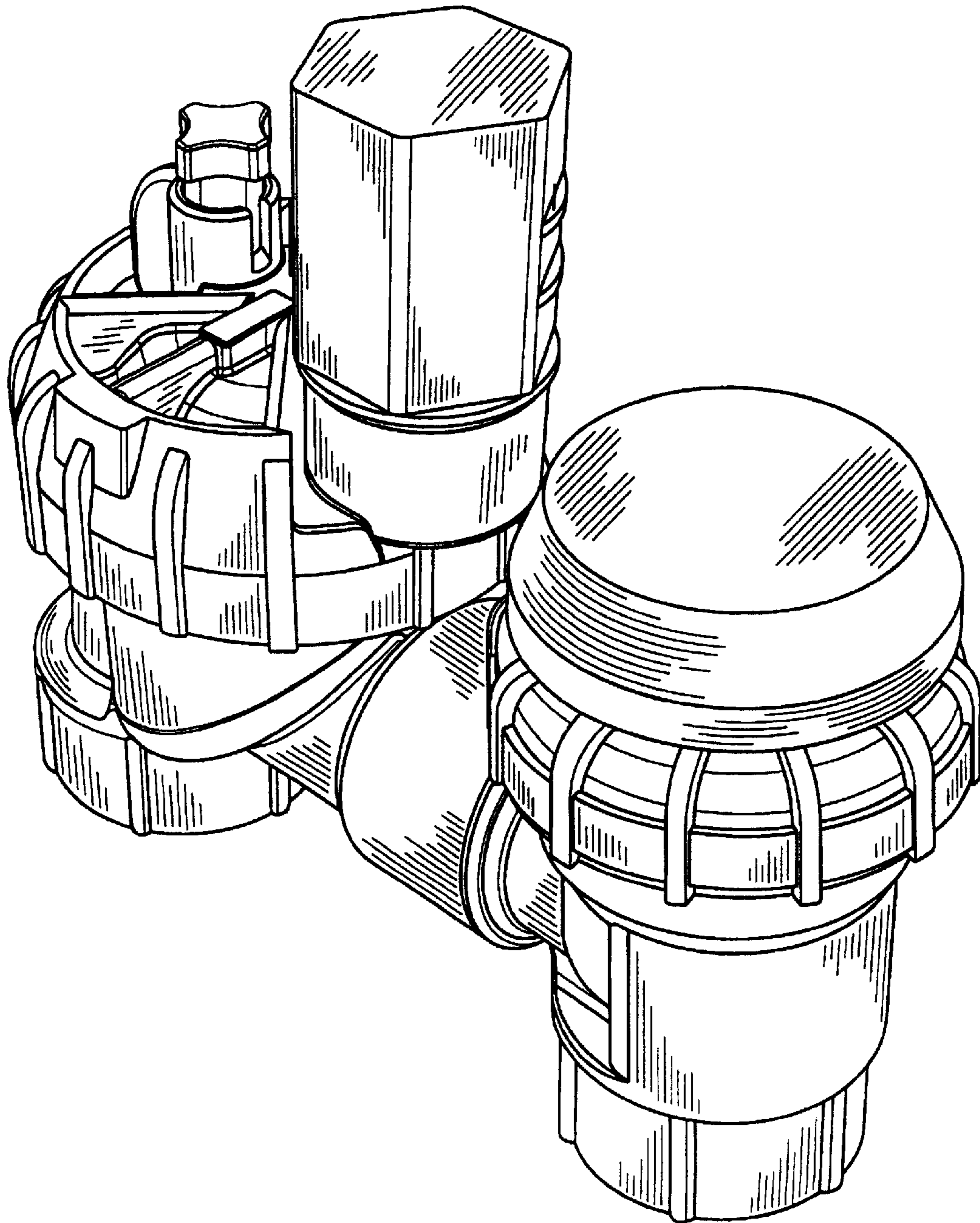


FIG. 1

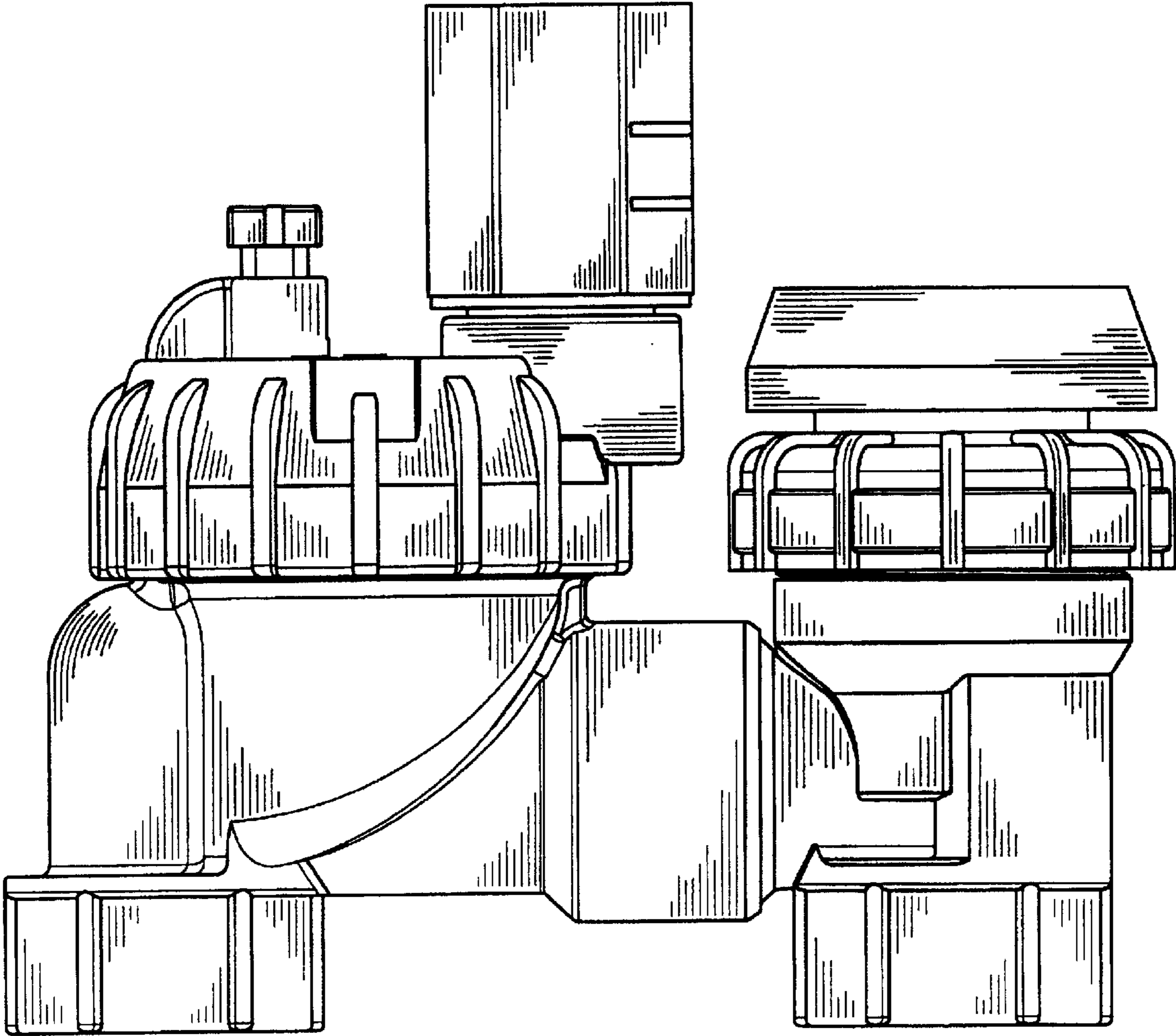


FIG. 2

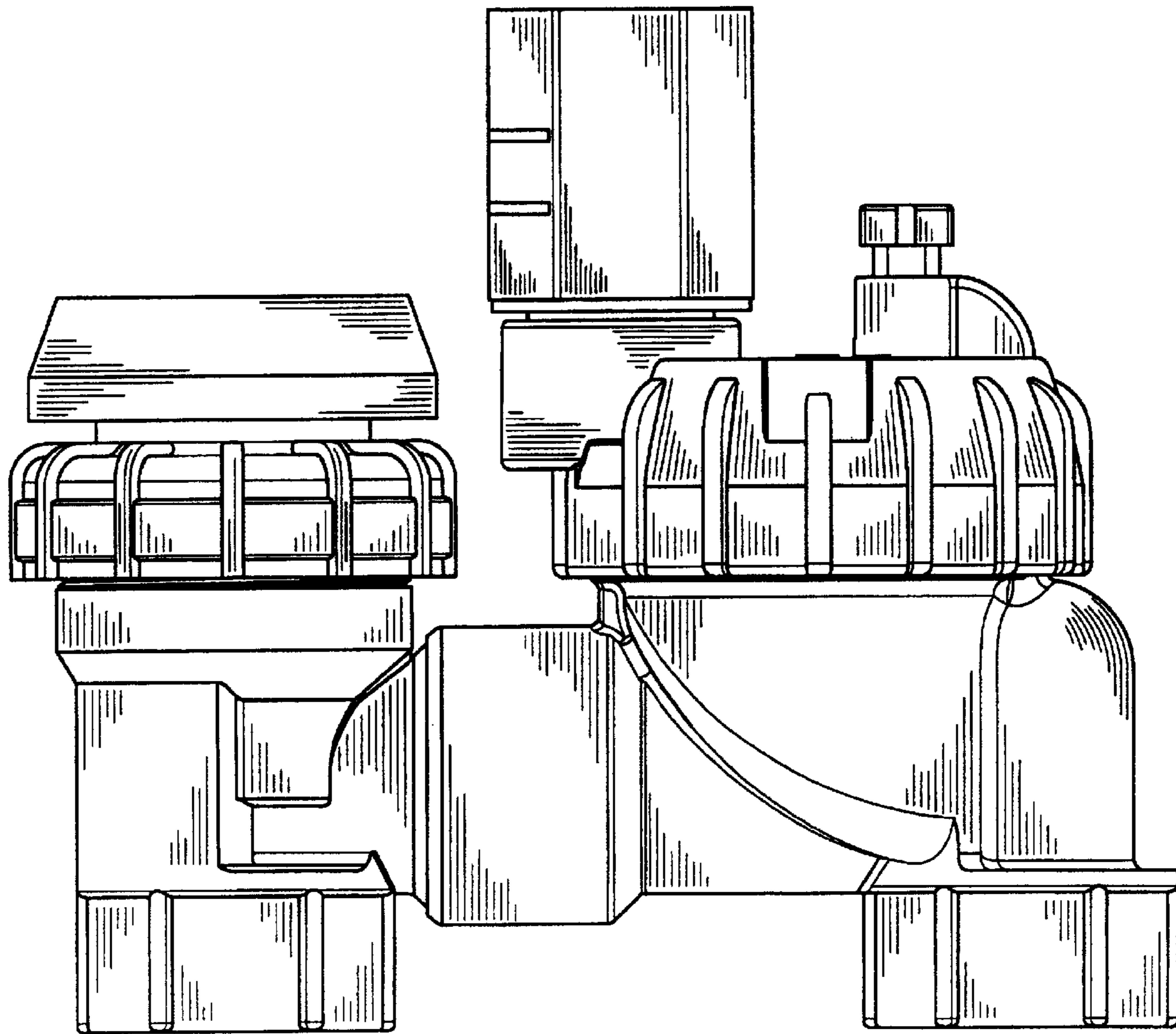


FIG. 3

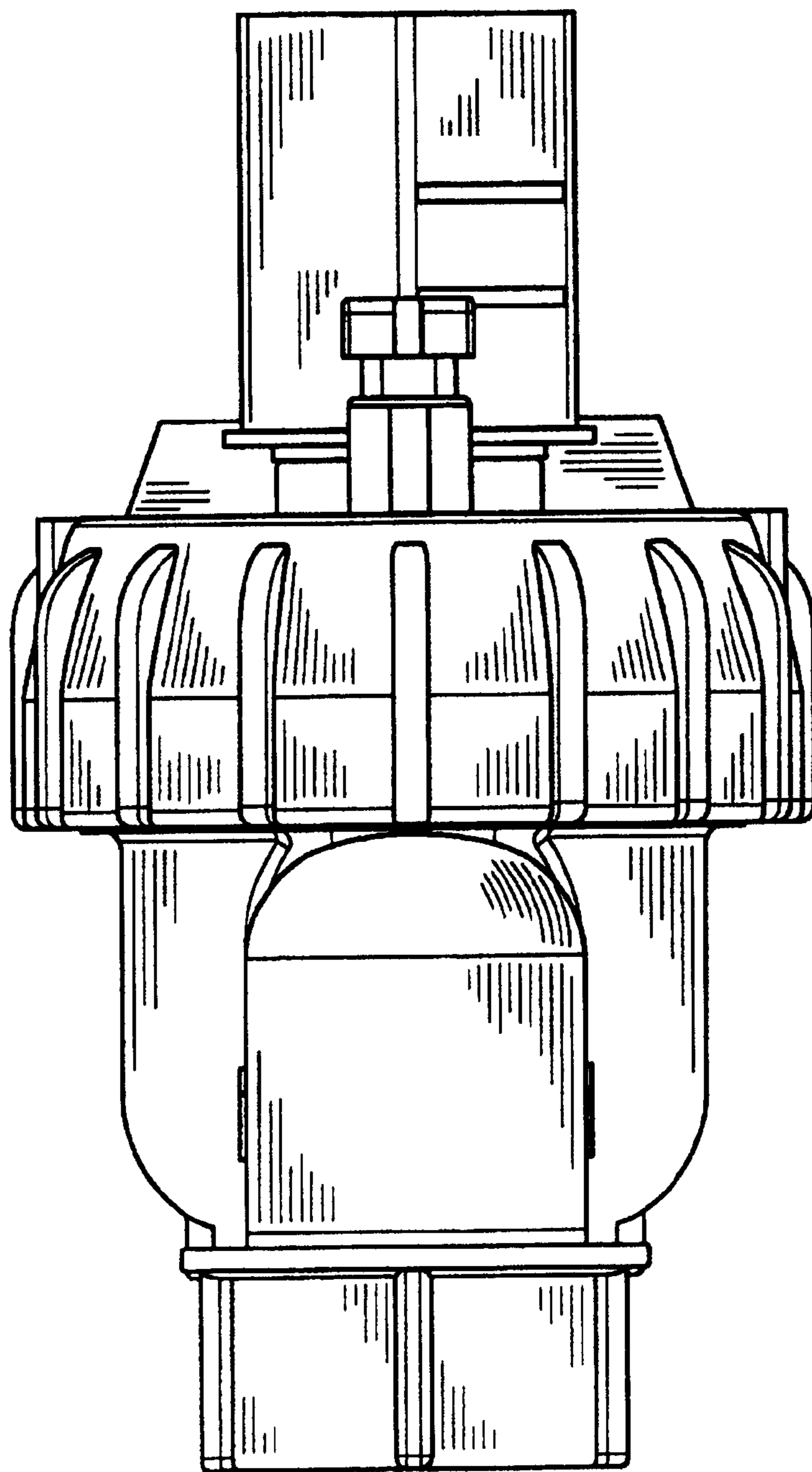


FIG. 4

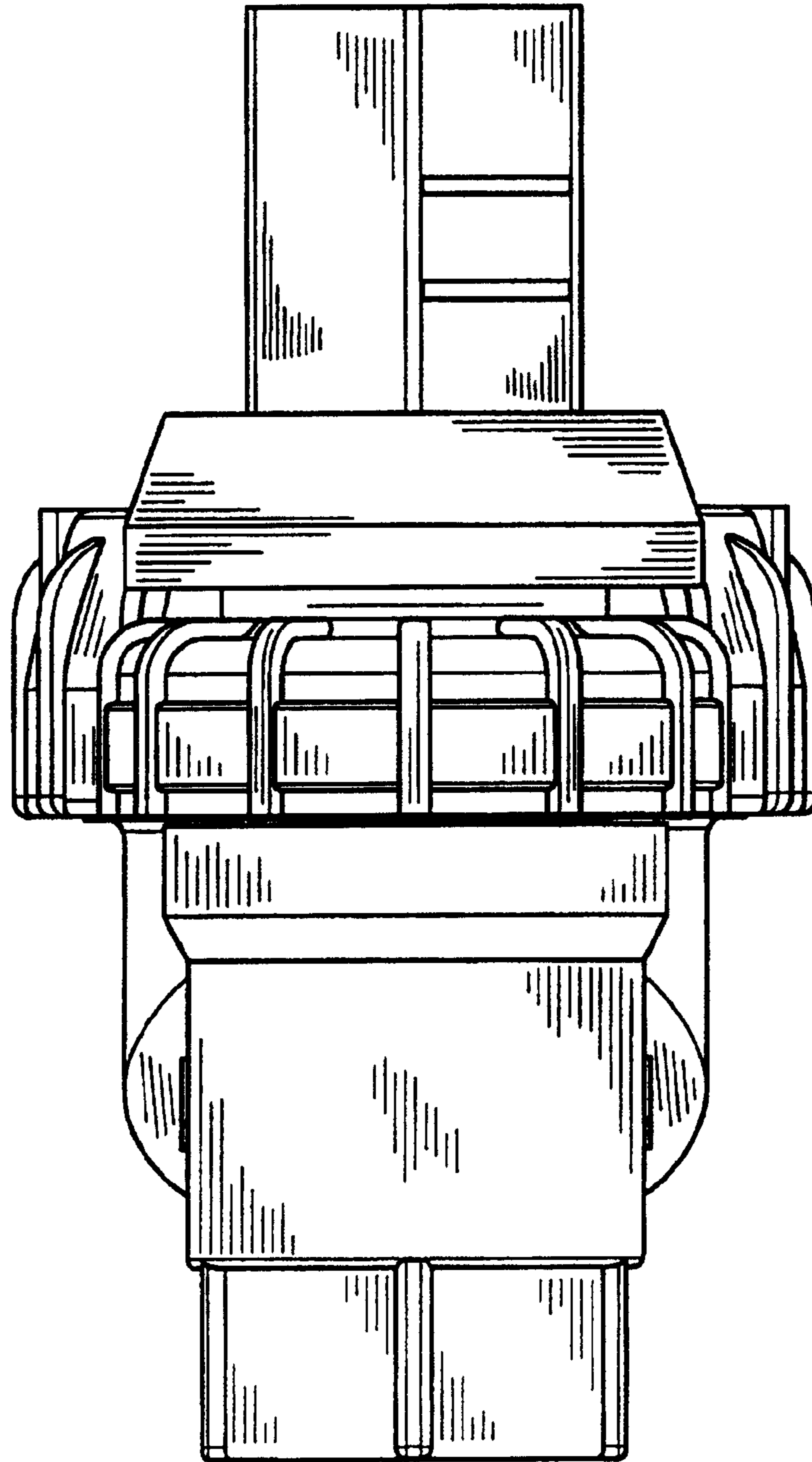


FIG. 5

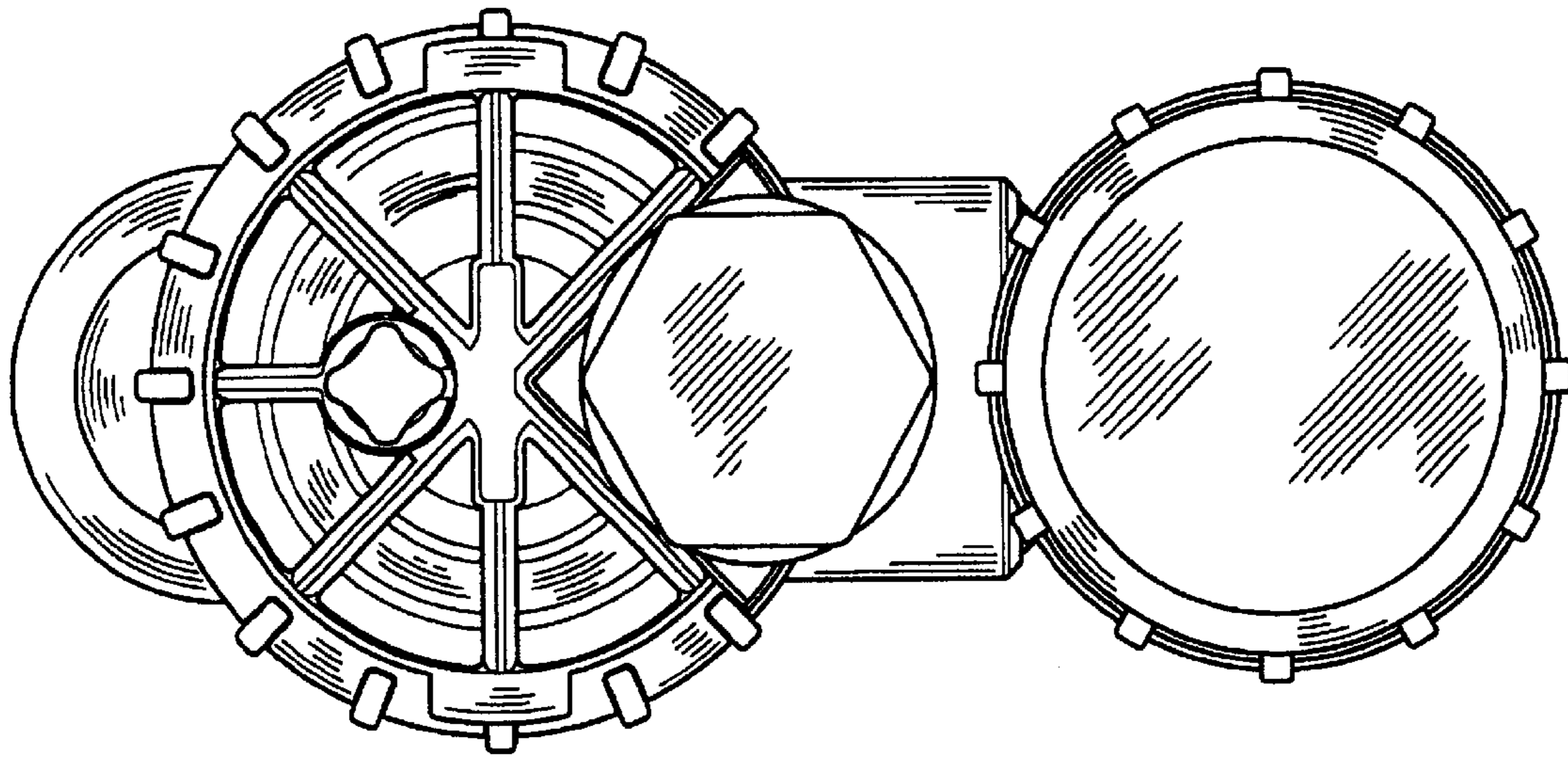


FIG. 6

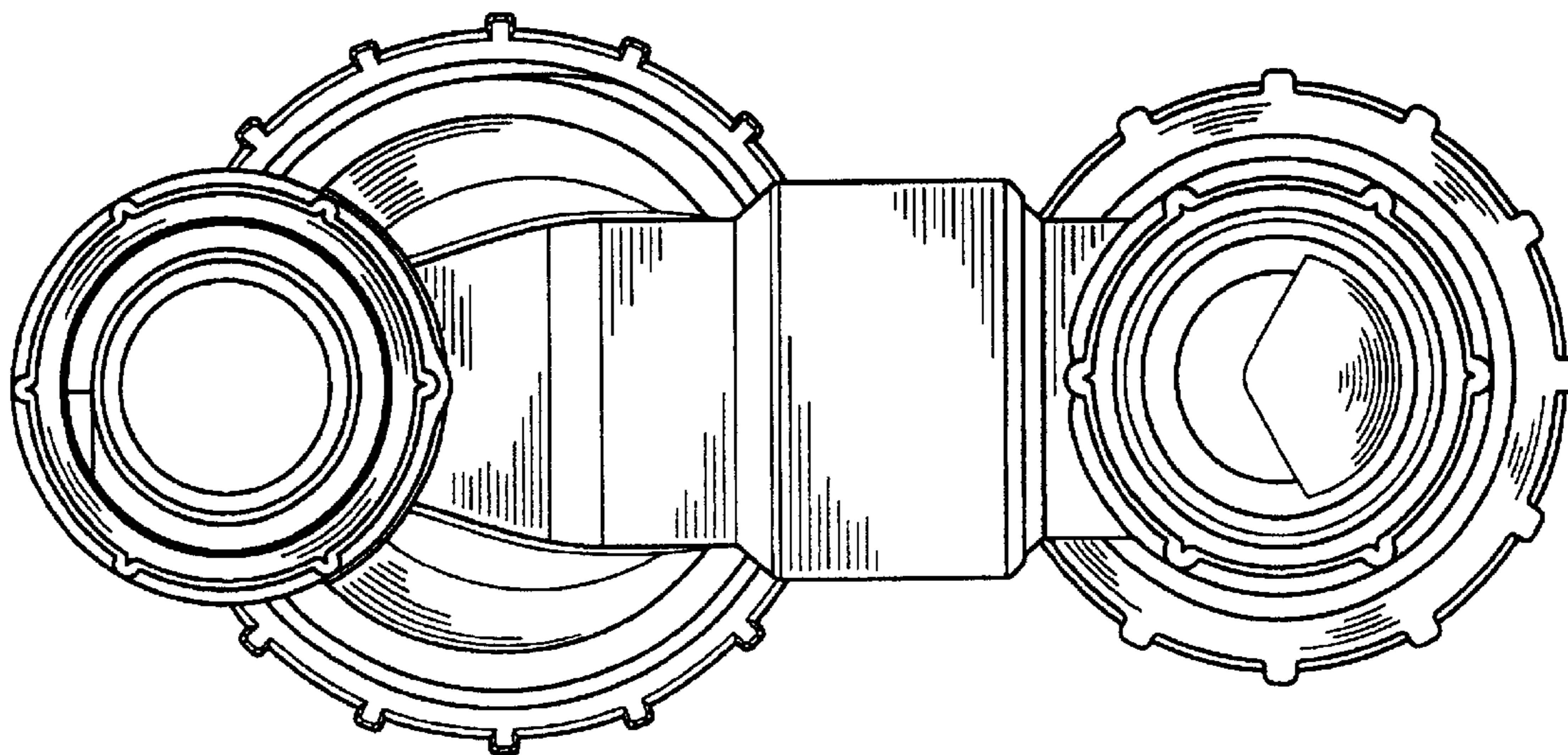


FIG. 7