



US00D539386S

(12) **United States Design Patent**
Hayashi et al.

(10) **Patent No.:** **US D539,386 S**

(45) **Date of Patent:** **** Mar. 27, 2007**

(54) **FLUID CONTROL VALVE**

(75) Inventors: **Bunya Hayashi**, Ibaraki (JP); **Shinji Miyazoe**, Ibaraki (JP); **Shinichi Yoshimura**, Ibaraki (JP)

(73) Assignee: **SMC Corporation**, Tokyo (JP)

(**) Term: **14 Years**

(21) Appl. No.: **29/237,747**

(22) Filed: **Sep. 6, 2005**

(30) **Foreign Application Priority Data**

Mar. 11, 2005 (JP) 2005-007363

(51) **LOC (8) Cl.** **23-01**

(52) **U.S. Cl.** **D23/233**

(58) **Field of Classification Search** D23/233-237,
D23/244-249; 251/309, 368, 62, 63, 63.5,
251/129.1, 129.16, 129.17, 129.18; 137/498,
137/545, 547, 549, 377

See application file for complete search history.

(56) **References Cited**

U.S. PATENT DOCUMENTS

4,232,695	A	*	11/1980	Roberge	137/1
D273,034	S	*	3/1984	Higgins	D23/245
D287,044	S	*	12/1986	Hughes	D23/248
6,837,271	B1	*	1/2005	Saint	137/624.12
D504,715	S	*	5/2005	Hagihara	D23/235
7,069,947	B2	*	7/2006	Maeda et al.	137/549

* cited by examiner

Primary Examiner—Ian Simmons

Assistant Examiner—Maurice Stevens

(74) *Attorney, Agent, or Firm*—Peter Ganjian

(57) **CLAIM**

The ornamental design for a fluid control valve, as shown and described.

DESCRIPTION

FIG. 1 shows a perspective view of a fluid control valve showing my new design; and,

FIG. 2 shows a perspective view thereof.

1 Claim, 2 Drawing Sheets

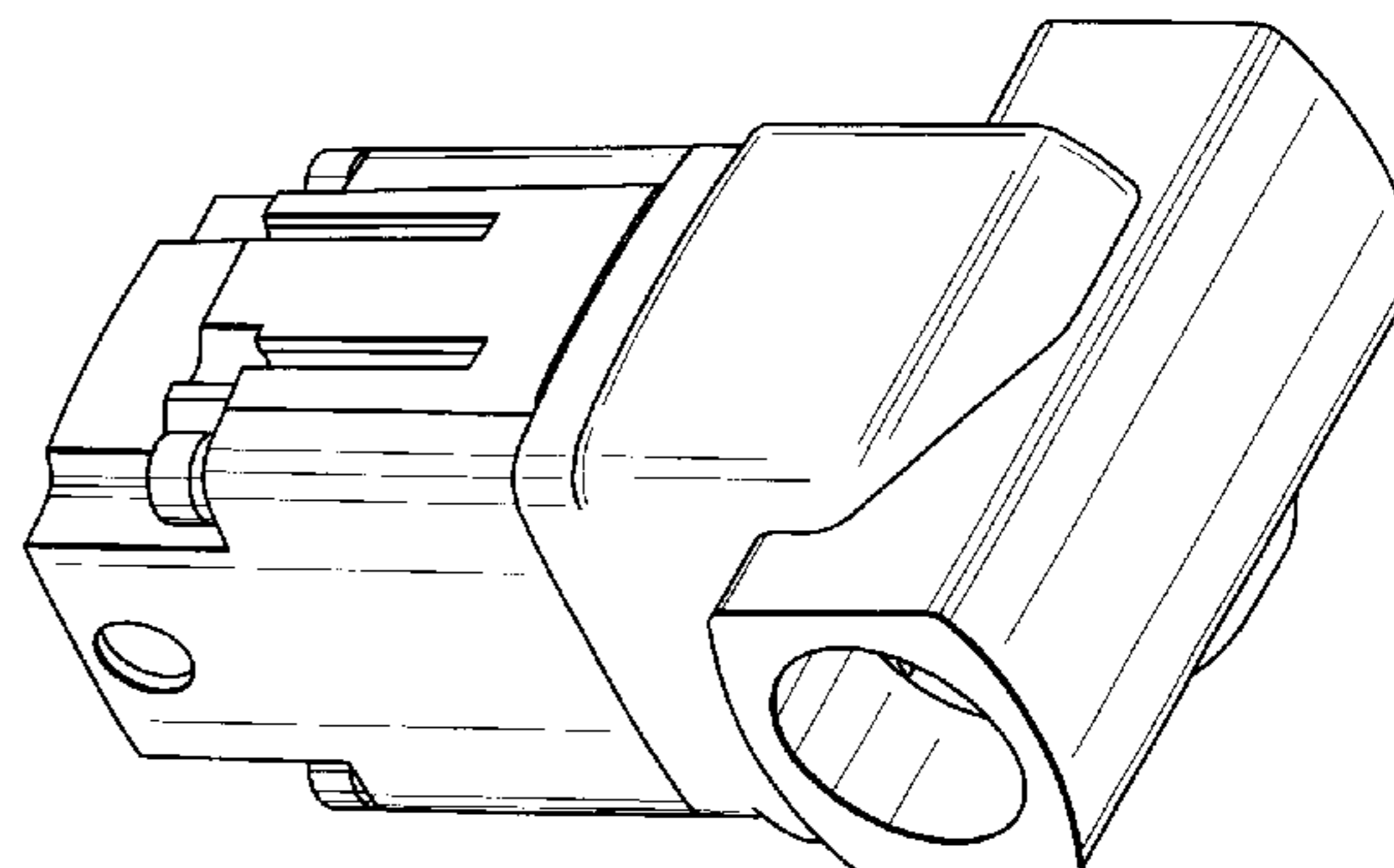
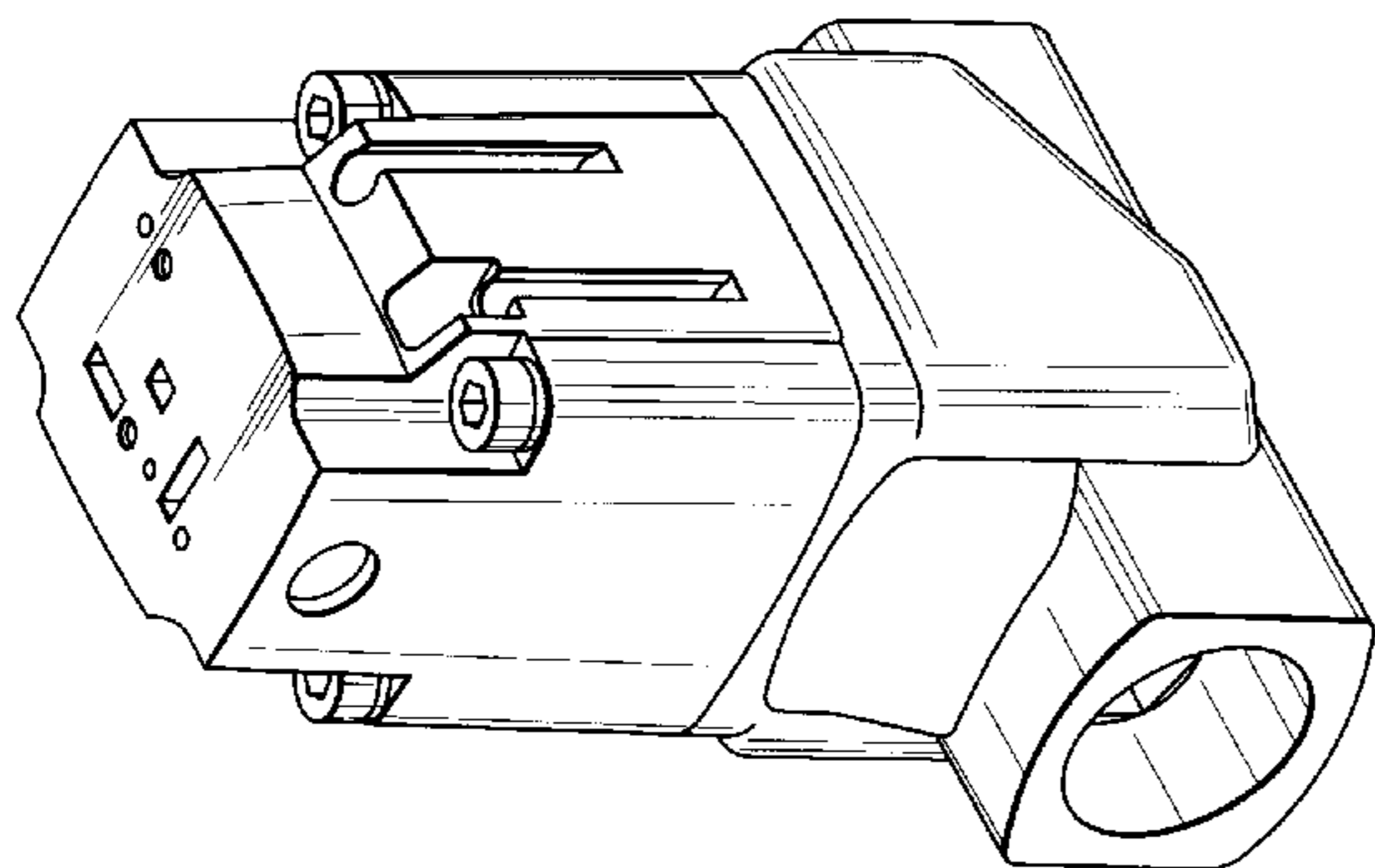


FIG . 1

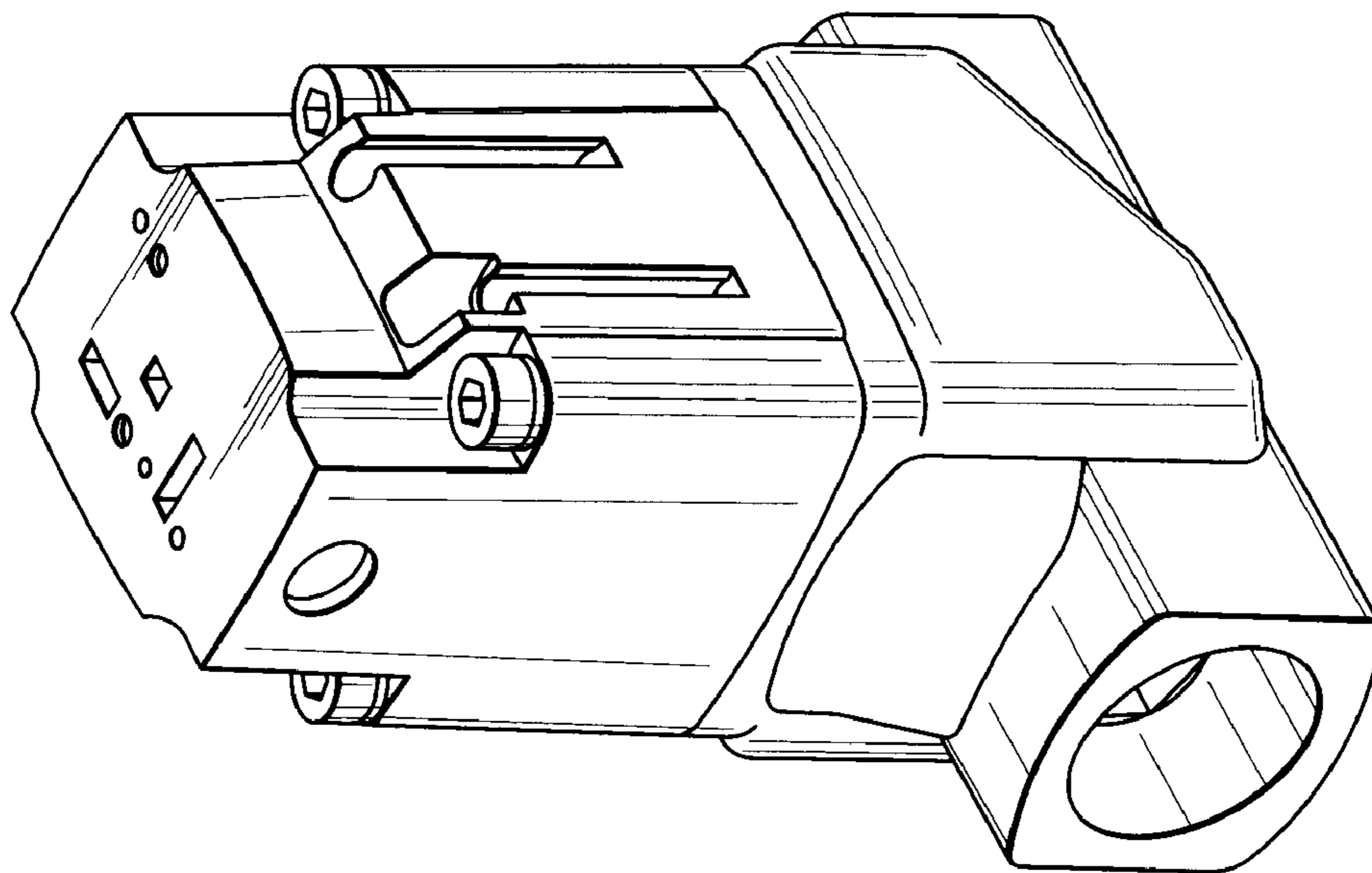


FIG . 2

