



US00D539385S

(12) **United States Design Patent**
Dempsey et al.

(10) **Patent No.:** **US D539,385 S**
(45) **Date of Patent:** **** Mar. 27, 2007**

- (54) **SHOWERHEAD**
- (75) Inventors: **James Dempsey**, North Olmsted, OH (US); **Matt Kesti**, Cleveland, OH (US); **John James McNulty**, Broadview Heights, OH (US)
- (73) Assignee: **Moen Incorporated**, North Olmsted, OH (US)
- (**) Term: **14 Years**
- (21) Appl. No.: **29/235,635**
- (22) Filed: **Aug. 4, 2005**
- (51) **LOC (8) Cl.** **23-01**
- (52) **U.S. Cl.** **D23/213**
- (58) **Field of Classification Search** D23/213,
D23/229–230; 239/282–3, 460, 462
See application file for complete search history.

D454,621 S	3/2002	Lord	
D454,938 S	3/2002	Lord	
D463,528 S	9/2002	Ouyoung	
D465,553 S	11/2002	Singtoroj	
D466,992 S	12/2002	Tse	
D467,300 S	12/2002	Singtoroj	
D467,638 S	12/2002	Lord	
D468,394 S	1/2003	Cummings	
D472,301 S	3/2003	Mueller et al.	
D472,305 S	3/2003	Colligan et al.	
D475,119 S	5/2003	Colligan et al.	
D476,059 S	6/2003	Huang	
D476,062 S	6/2003	Singtoroj et al.	
D487,498 S	3/2004	Blomstrom	
D487,915 S	3/2004	Egee	
D502,251 S	* 2/2005	Otero	D23/213
D514,197 S	* 1/2006	Gilbert	D23/229
D524,412 S	* 7/2006	Blomstrom	D23/229

* cited by examiner

Primary Examiner—Robin Webster

(74) *Attorney, Agent, or Firm*—Calfee, Halter & Griswold LLP

(56) **References Cited**
U.S. PATENT DOCUMENTS

192,728 A	4/1877	Bailey	
D43,894 S	4/1913	Recker	
1,597,477 A	8/1926	Panhorst	
D77,442 S	1/1929	Smith	
D84,900 S	8/1931	Moran	
D94,146 S	12/1934	Isenberg	
D98,006 S	12/1935	Landgarten	
D104,272 S	4/1937	Lehman	
D128,220 S	7/1941	Werner	
2,325,123 A	* 7/1943	Isenberg	401/28
D143,737 S	2/1946	Klein	
D143,738 S	2/1946	Klein	
D145,085 S	6/1946	Isenberg	
D175,756 S	10/1955	Becker	
D206,515 S	12/1966	Isenberg	
D215,092 S	9/1969	Vicknair et al.	
D328,944 S	8/1992	Robbins	
D385,335 S	10/1997	Caroen et al.	
D430,267 S	8/2000	Milrud et al.	

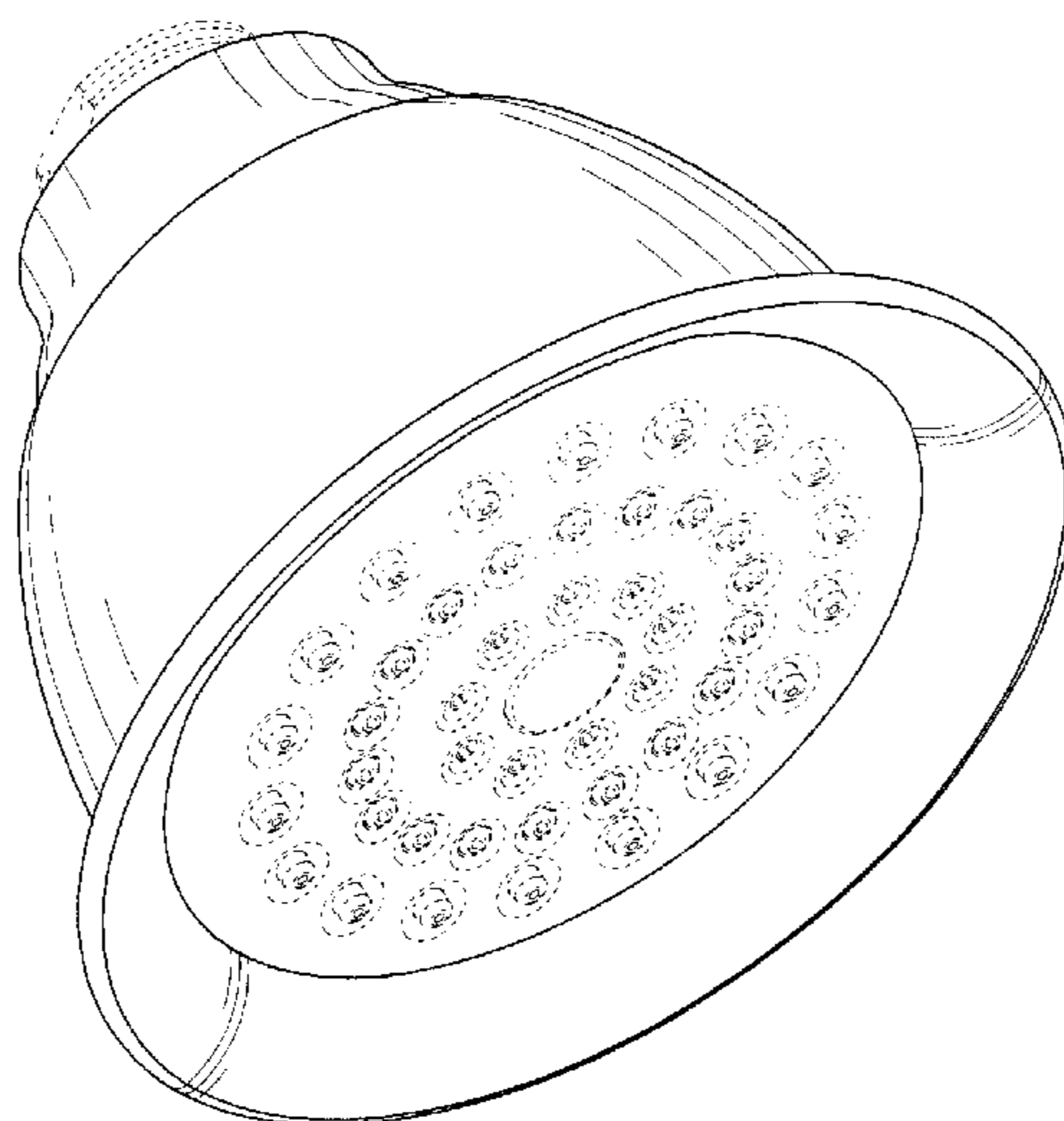
(57) **CLAIM**

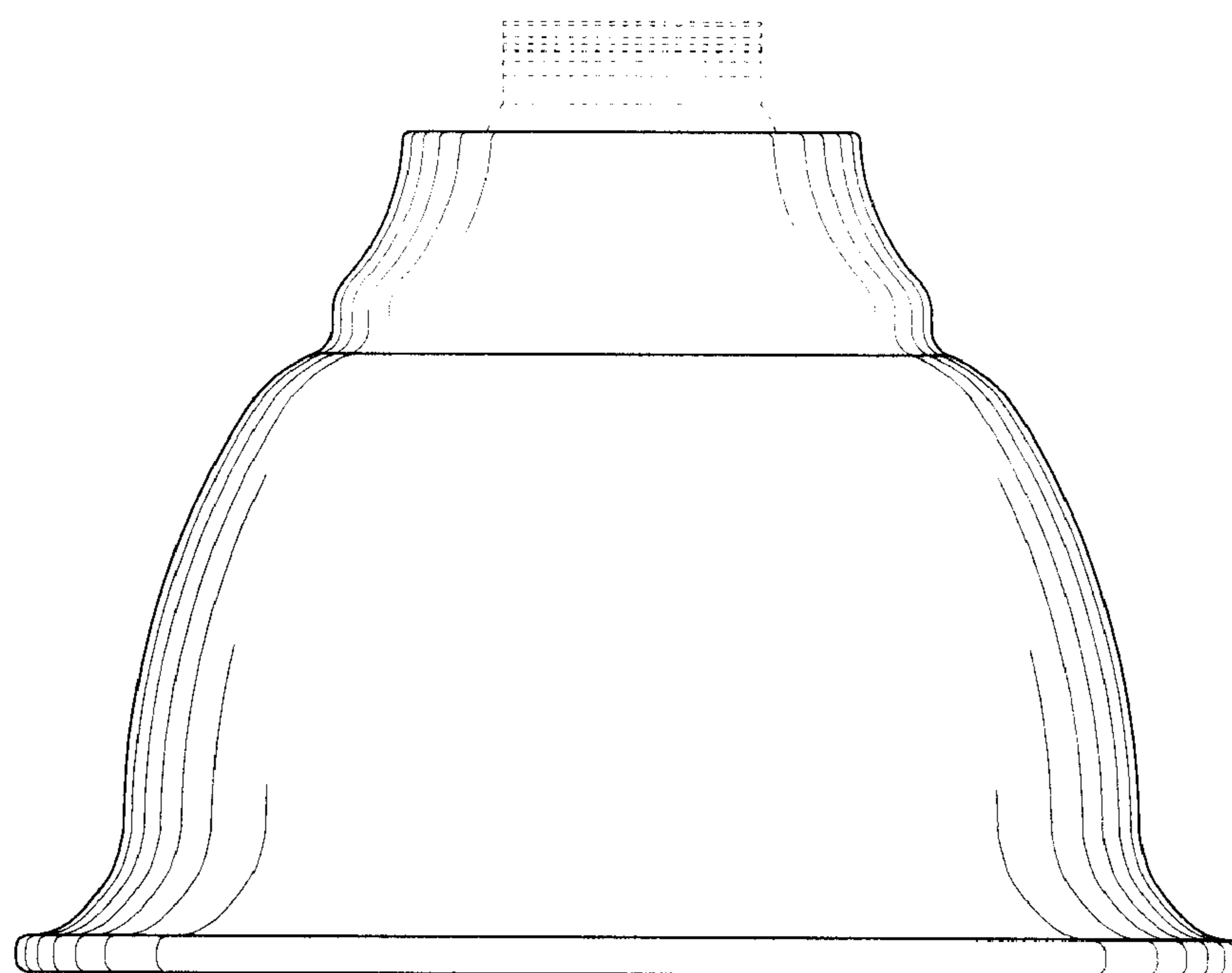
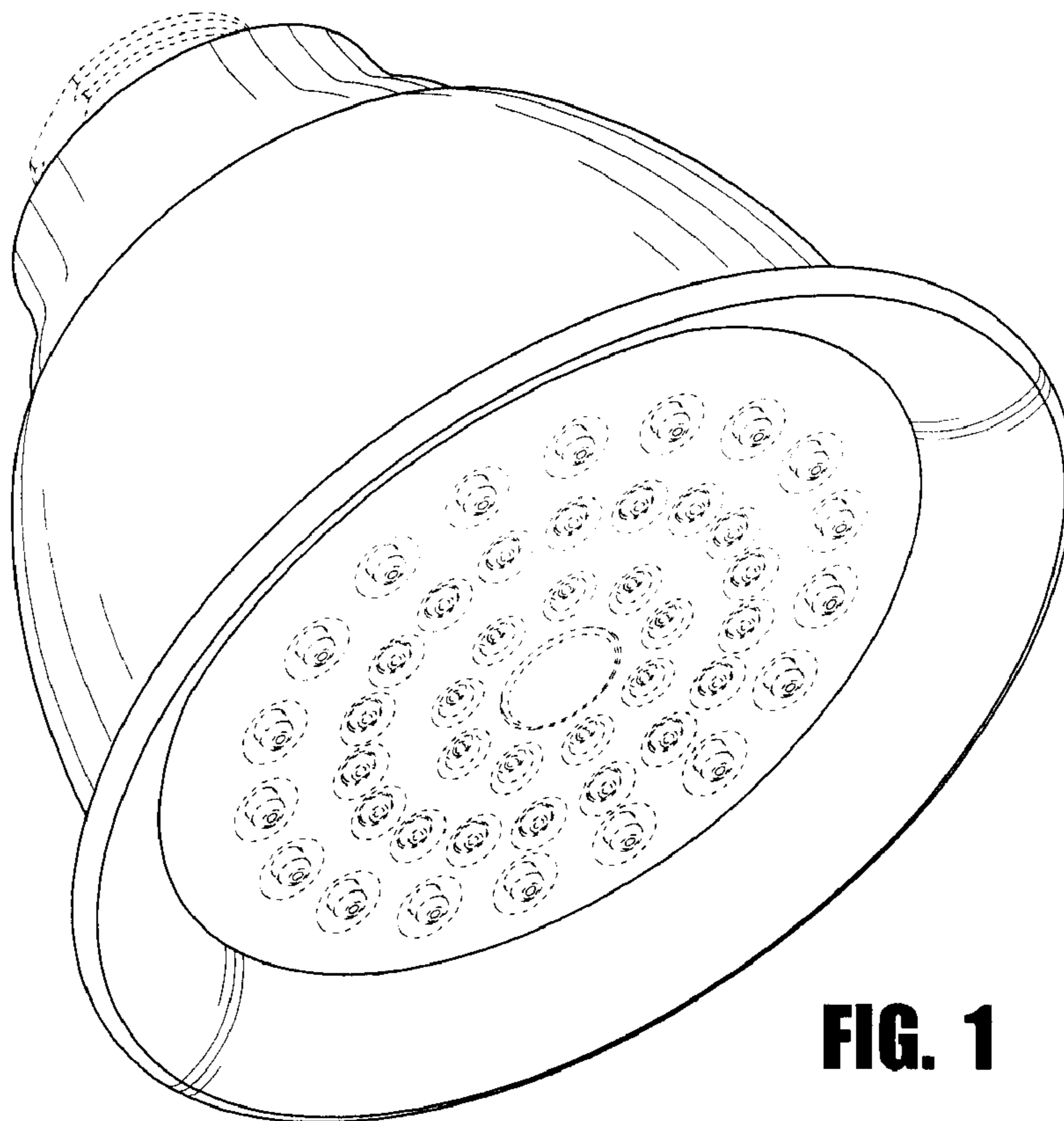
The ornamental design for a showerhead, as shown and described.

DESCRIPTION

FIG. 1 is a perspective view of a showerhead of the new design; FIG. 2 is a front elevational view of the showerhead of FIG. 1; FIG. 3 is a top plan view of the showerhead of FIG. 1; and, FIG. 4 is a bottom plan view of the showerhead of FIG. 1. The portions of the Figures shown in broken lines are not part of the claimed design but are for illustration only and forms no part of the claimed design. The right side, left side and rear elevational views are identical to the front elevational view shown in FIG. 2.

1 Claim, 2 Drawing Sheets





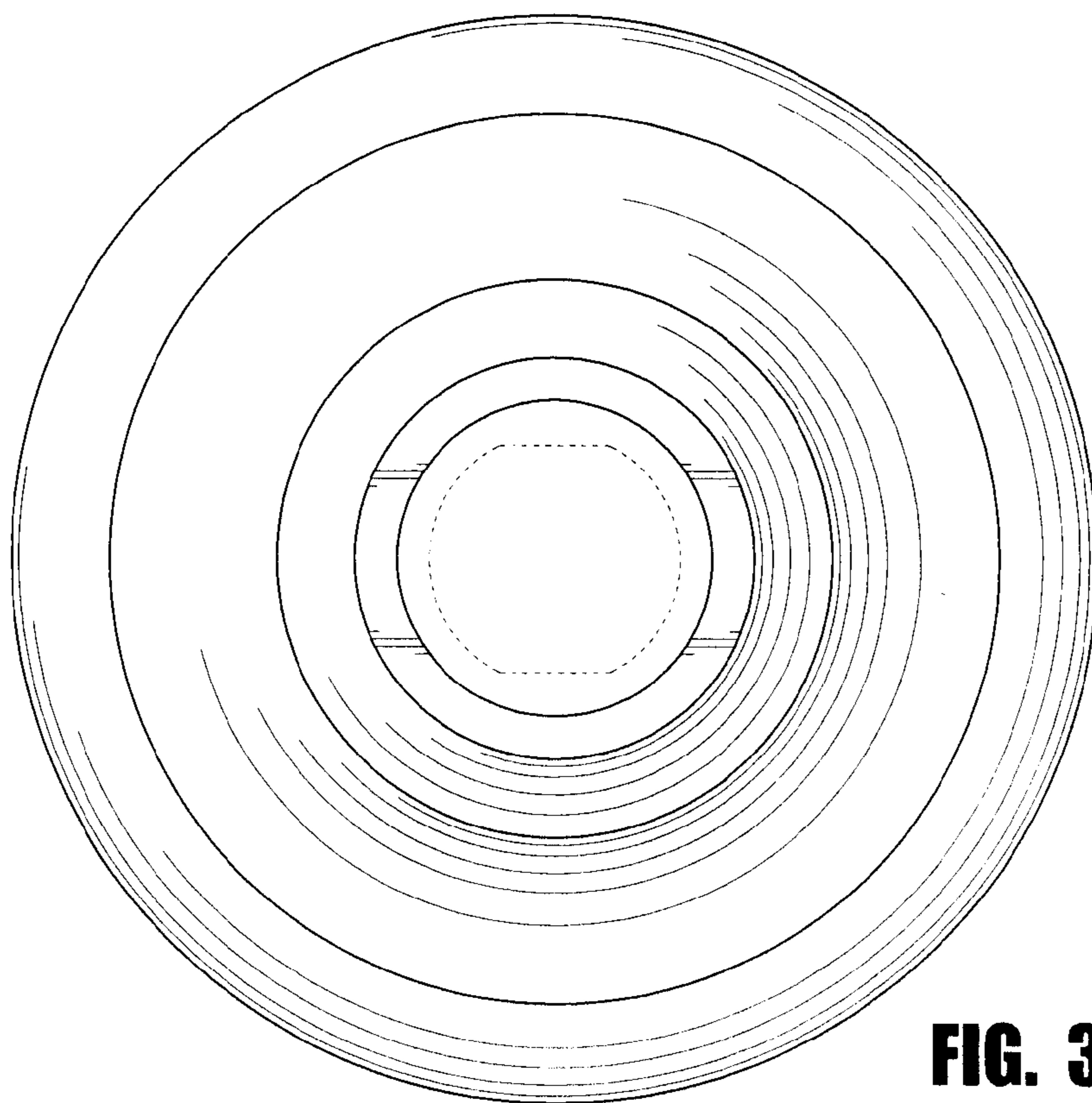


FIG. 3

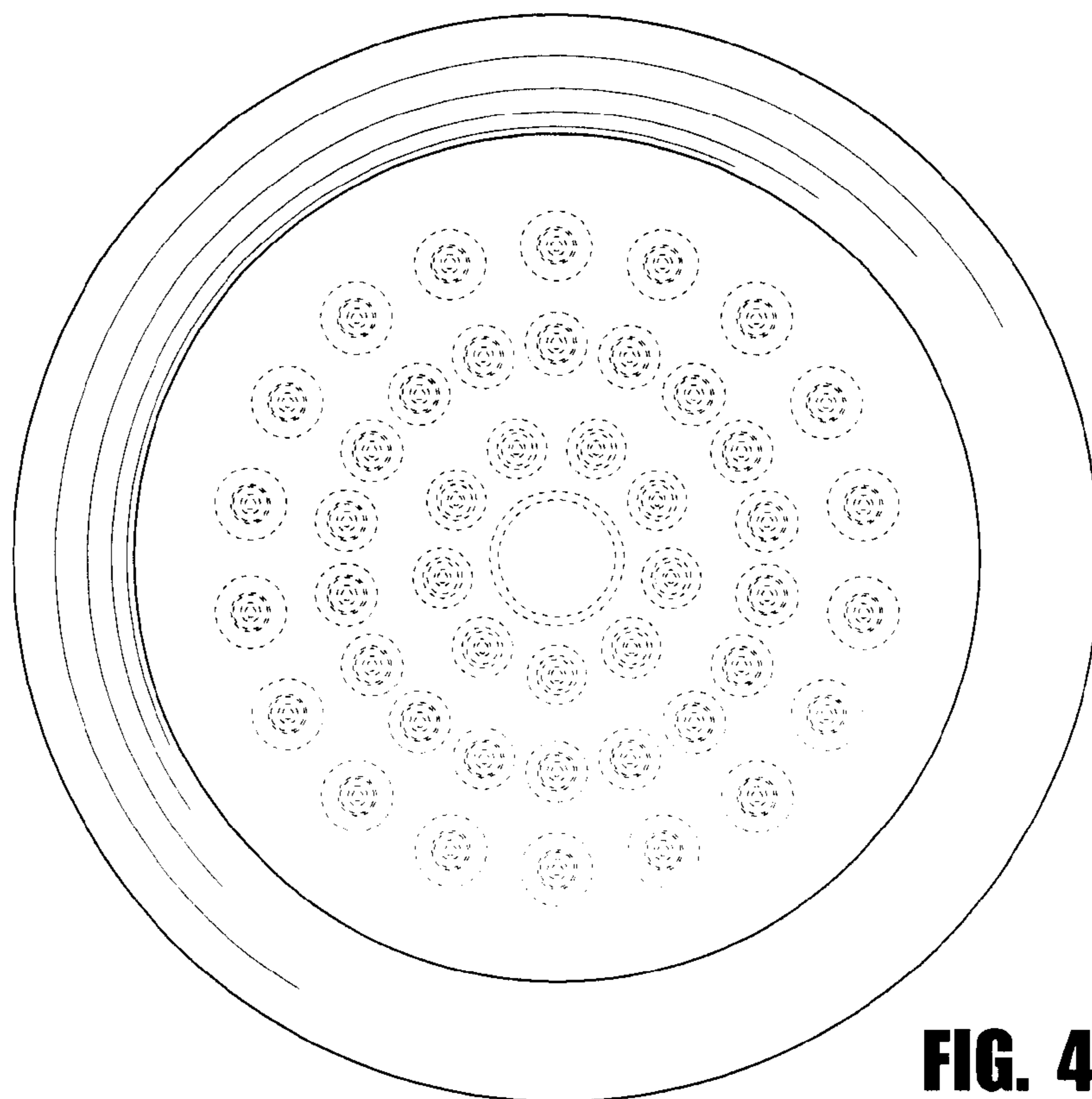


FIG. 4