



US00D539383S

(12) **United States Design Patent**
Donald et al.

(10) **Patent No.:** **US D539,383 S**
(45) **Date of Patent:** **** Mar. 27, 2007**

(54) **TRIO SEWAGE TREATMENT PLANT**

(76) Inventors: **Hubbard H. Donald**, 2247 Hwy. 151
North, Downsville, LA (US) 71234;
George E. Johnson, 2247 Hwy. 151
North, Downsville, LA (US) 71234

(**) Term: **14 Years**

(21) Appl. No.: **29/237,493**

(22) Filed: **Aug. 31, 2005**

(51) **LOC (8) Cl.** **23-01**

(52) **U.S. Cl.** **D23/207**

(58) **Field of Classification Search** D23/202,
D23/205, 207; 210/195.1, 257.1; 220/23.2,
220/23.83, 4.12, 4.26, 565

See application file for complete search history.

(56) **References Cited**

U.S. PATENT DOCUMENTS

D152,286 S * 1/1949 Patterson D23/207

5,248,417 A * 9/1993 Reid 210/195.1
D426,866 S * 6/2000 Drewery D23/207
6,200,472 B1 * 3/2001 Donald et al. 210/195.1
6,592,755 B1 * 7/2003 Nurse, Jr. 210/150
D510,757 S * 10/2005 Donald et al. D23/203

* cited by examiner

Primary Examiner—Robin Webster

(74) *Attorney, Agent, or Firm*—Phelps Dunbar, LLP

(57) **CLAIM**

We claim the ornamental design for the trio sewage treatment plant, as shown.

DESCRIPTION

FIG. 1 is a top view;
FIG. 2 is a side view;
FIG. 3 is the other side view;
FIG. 4 is a bottom view;
FIG. 5 is an end view; and,
FIG. 6 is the other end view.

1 Claim, 3 Drawing Sheets

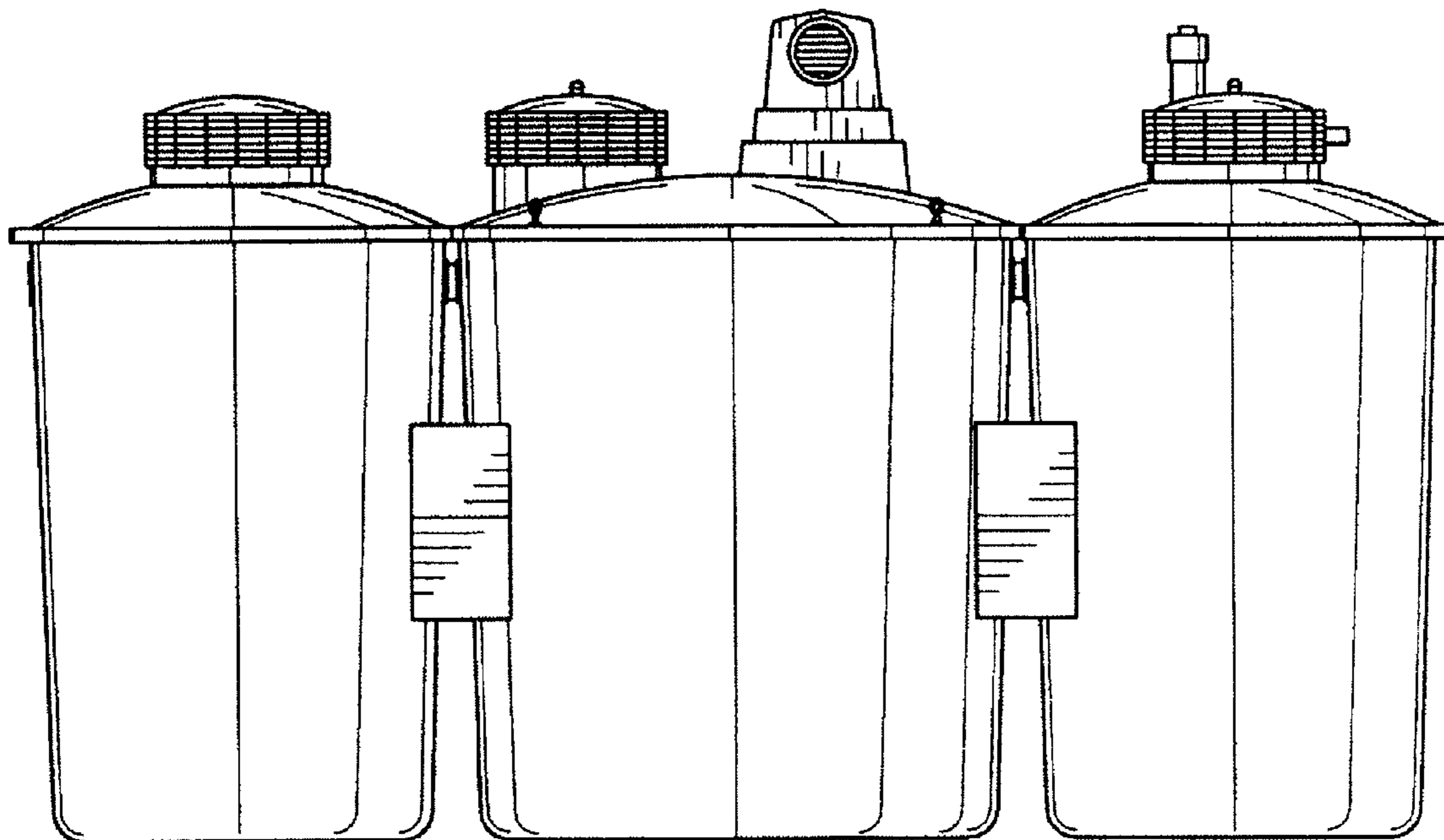


FIG.1

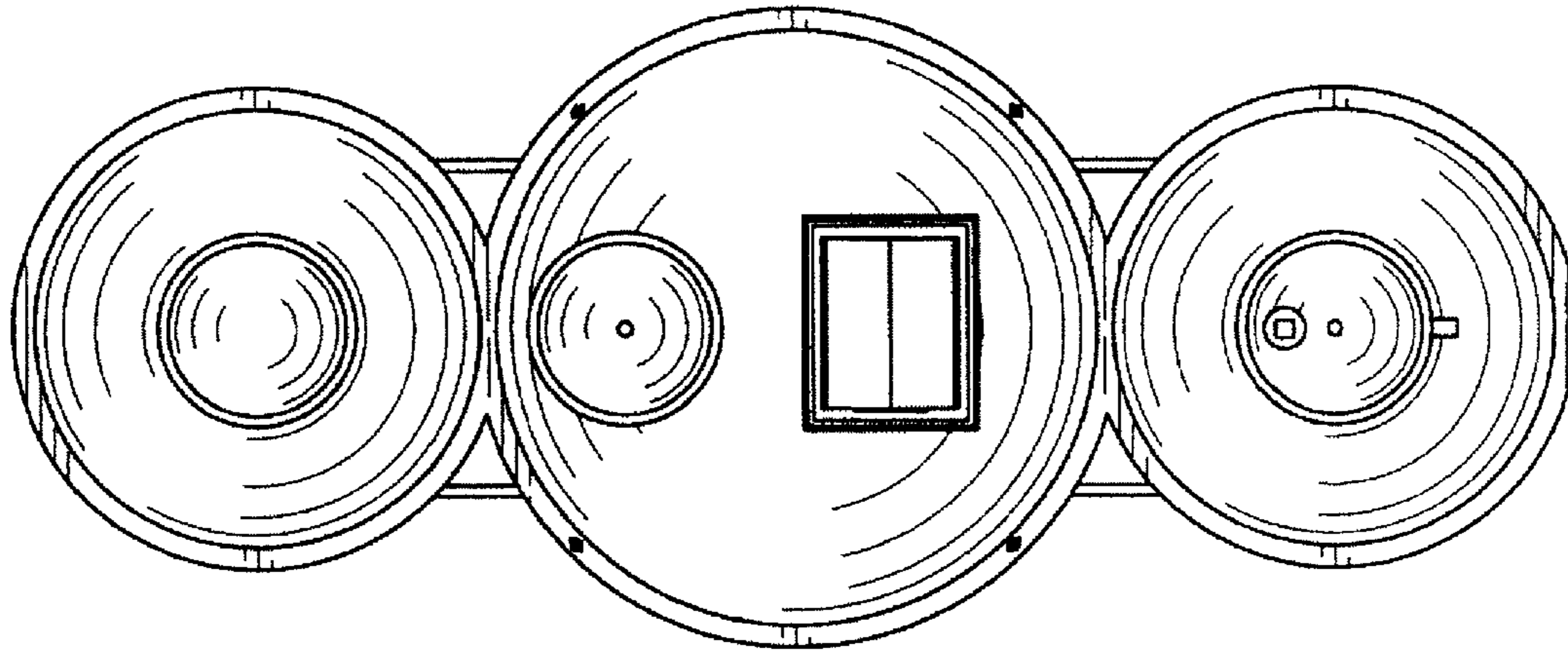


FIG.2

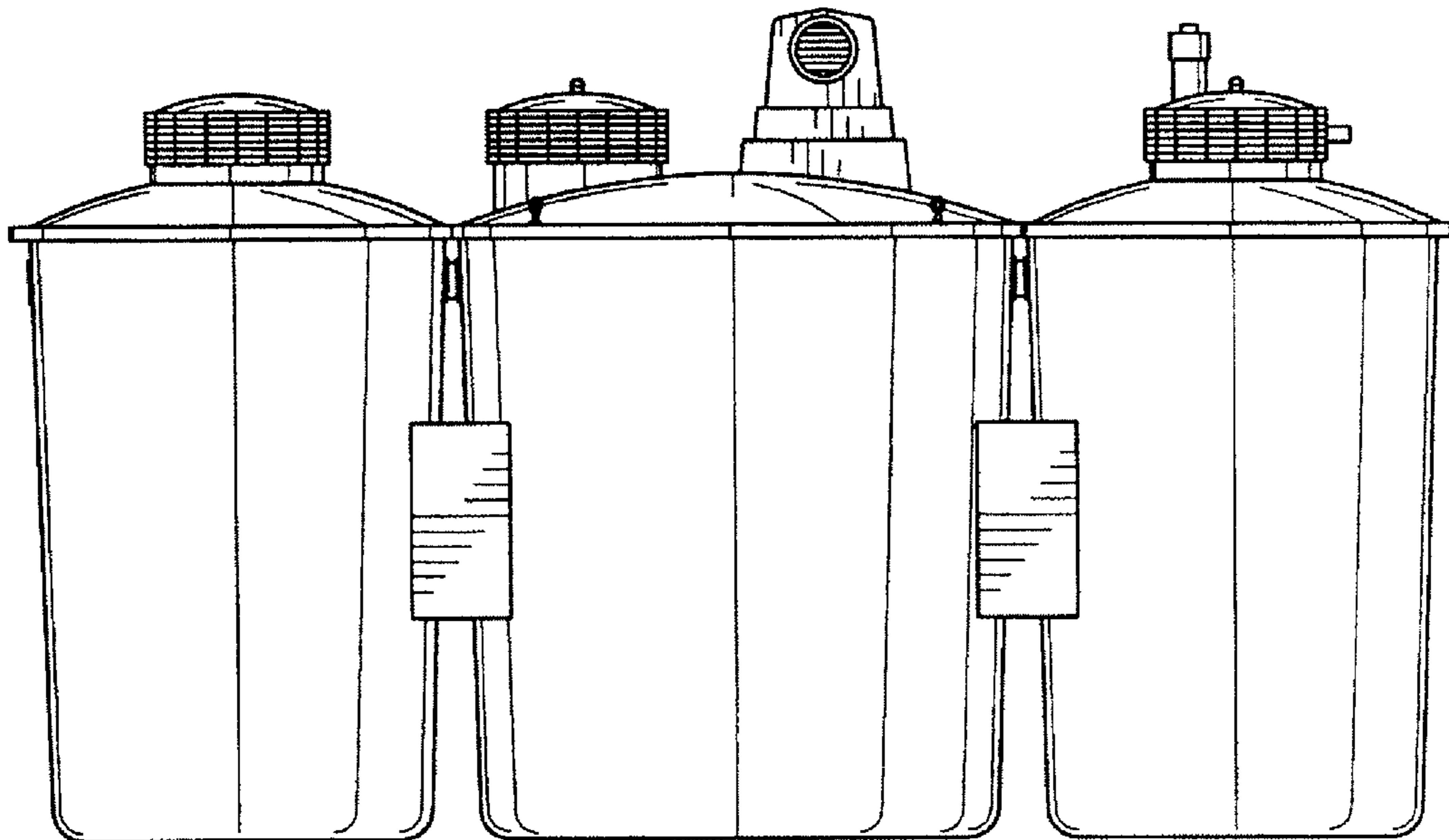


FIG.3

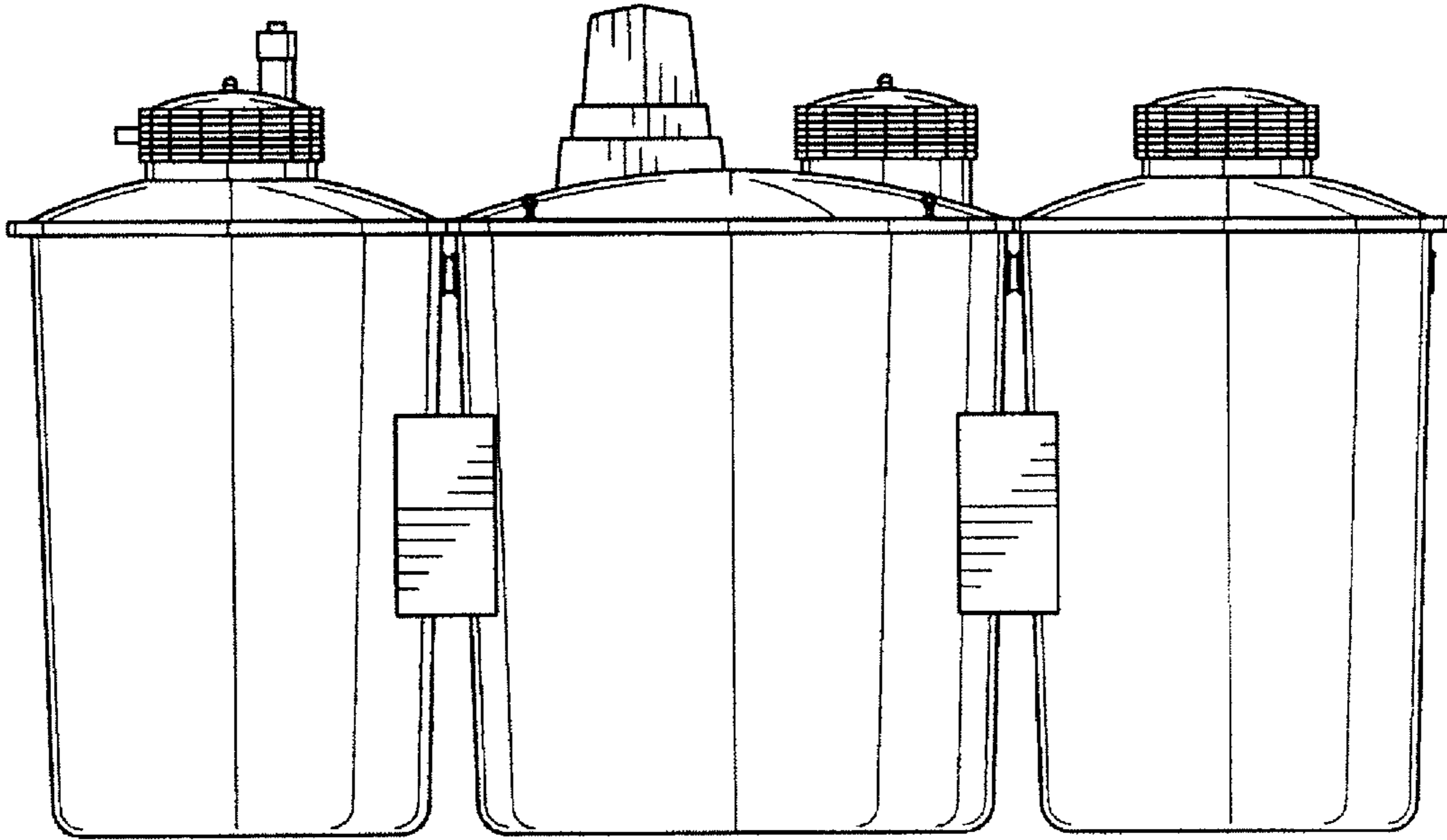


FIG.4

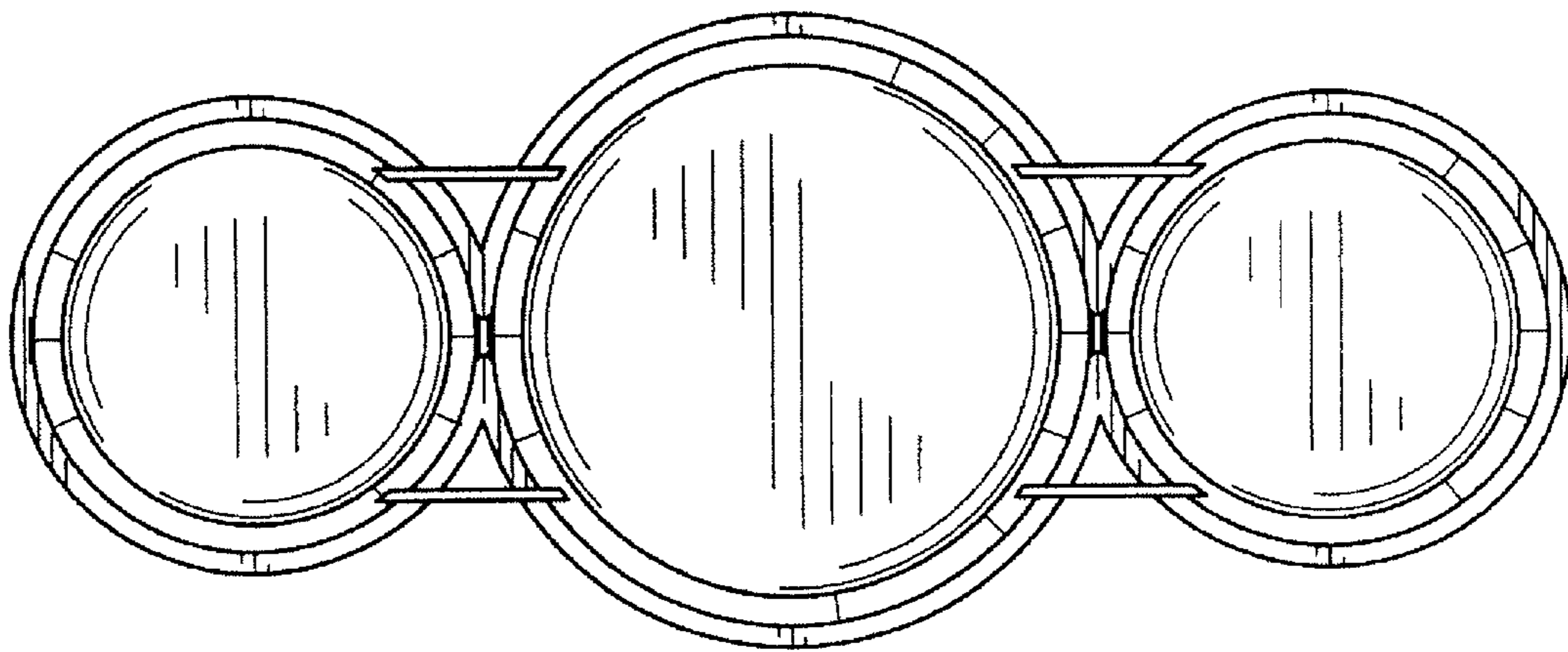


FIG.5

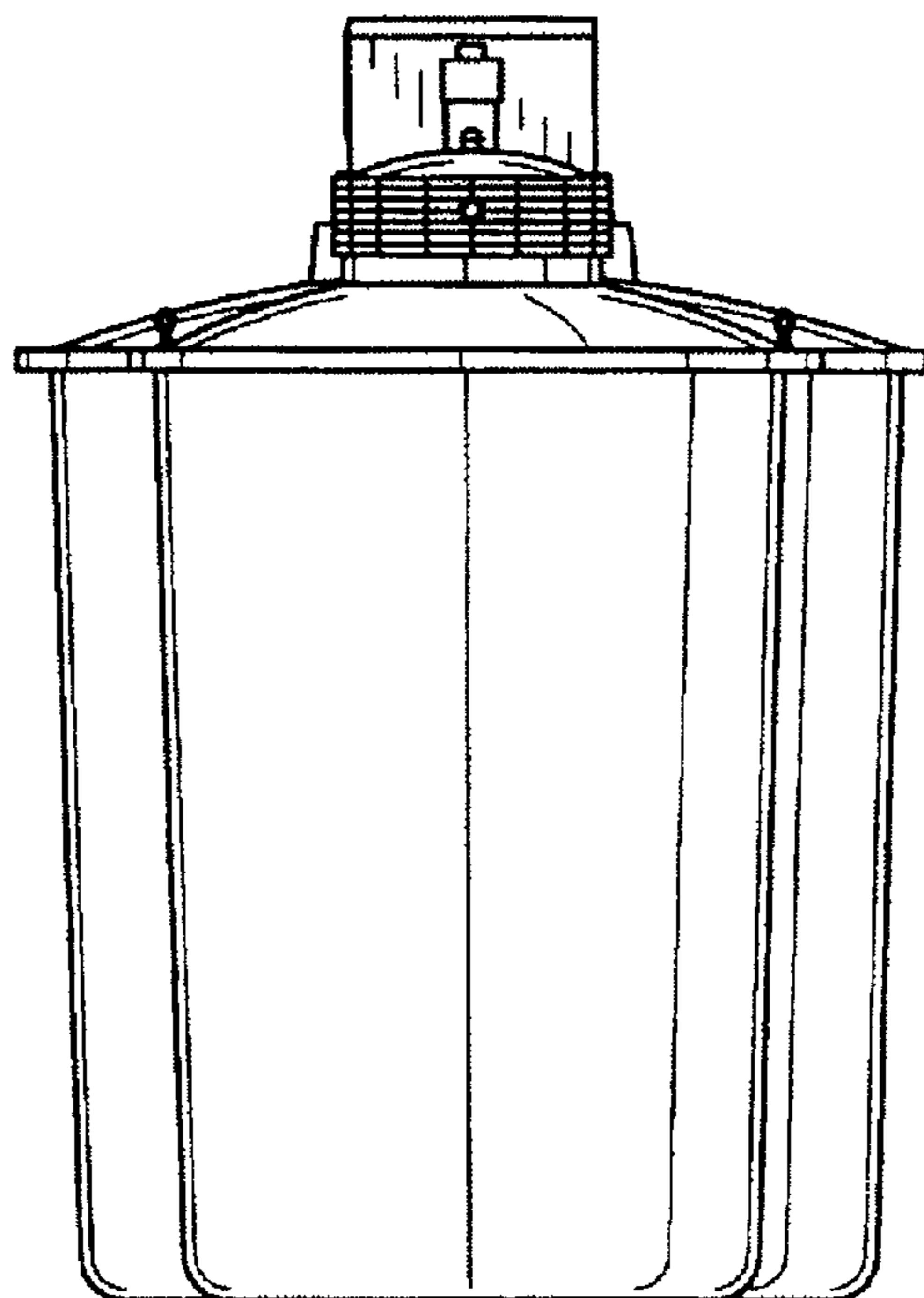


FIG.6

