



US00D539378S

(12) **United States Design Patent**  
**Kondo et al.**

(10) **Patent No.:** **US D539,378 S**  
(45) **Date of Patent:** **\*\* Mar. 27, 2007**

(54) **FISHING REEL BODY**

D507,622 S 7/2005 Iwabuchi ..... D22/141  
D516,160 S \* 2/2006 Iwabuchi ..... D22/141

(75) Inventors: **Takashi Kondo**, Musashino (JP);  
**Wataru Tsutsumi**, Higashikurume (JP);  
**Masashi Fujioka**, Higashikurume (JP);  
**Masayoshi Fujii**, Higashikurume (JP)

FOREIGN PATENT DOCUMENTS

JP 985462 S 7/1997  
JP 1115301 S 7/2001  
JP 1115487 S 7/2001  
JP 1115488 S 7/2001  
JP 1115489 S 7/2001  
JP 1203640 S 4/2004  
JP 1221710 S 11/2004  
JP 1235272 S 4/2005

(73) Assignee: **Daiwa Seiko, Inc.**, Tokyo (JP)

(\*\*) Term: **14 Years**

\* cited by examiner

(21) Appl. No.: **29/252,079**

(22) Filed: **Jan. 19, 2006**

*Primary Examiner*—Catherine R. Oliver

(30) **Foreign Application Priority Data**

Sep. 9, 2005 (JP) ..... 2005-026152

(74) *Attorney, Agent, or Firm*—Sughrue Mion, PLLC

(51) **LOC (8) Cl.** ..... **22-05**

(57) **CLAIM**

(52) **U.S. Cl.** ..... **D22/141**

The ornamental design for a fishing reel body, as shown and described.

(58) **Field of Classification Search** ..... D22/141,  
D22/137–140; 242/370, 223, 224, 234–240,  
242/311, 322

**DESCRIPTION**

See application file for complete search history.

FIG. 1 is a perspective view of the top, rear and right side of a fishing reel body showing our new design; FIG. 2 is a right side elevational view thereof; FIG. 3 is a left side elevational view thereof; FIG. 4 is a front elevational view thereof; FIG. 5 is a rear elevational view thereof; FIG. 6 is a top plan view thereof; and, FIG. 7 is a bottom plan view thereof.

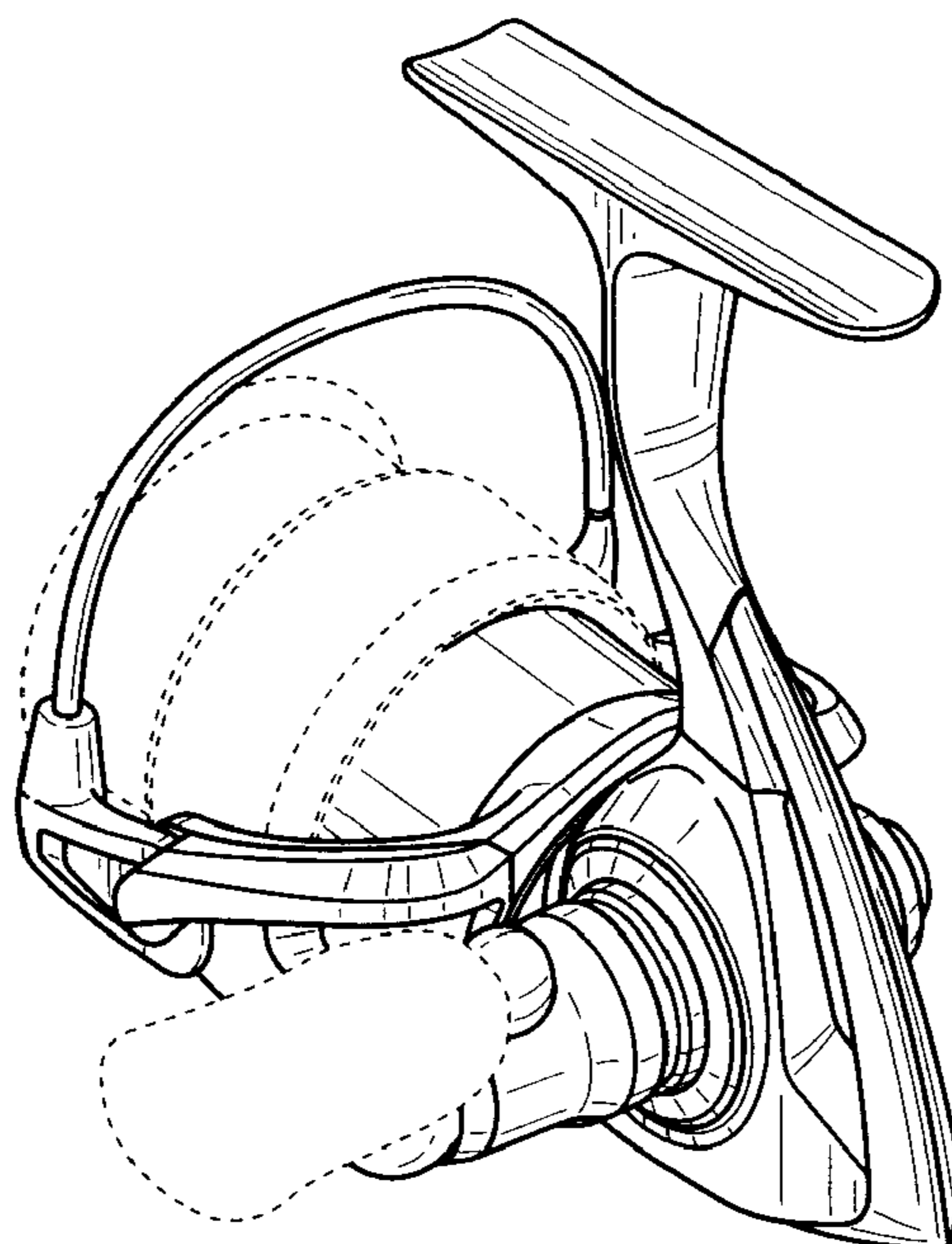
The portions shown in broken lines are for illustrative purposes only and form no part of the claimed design.

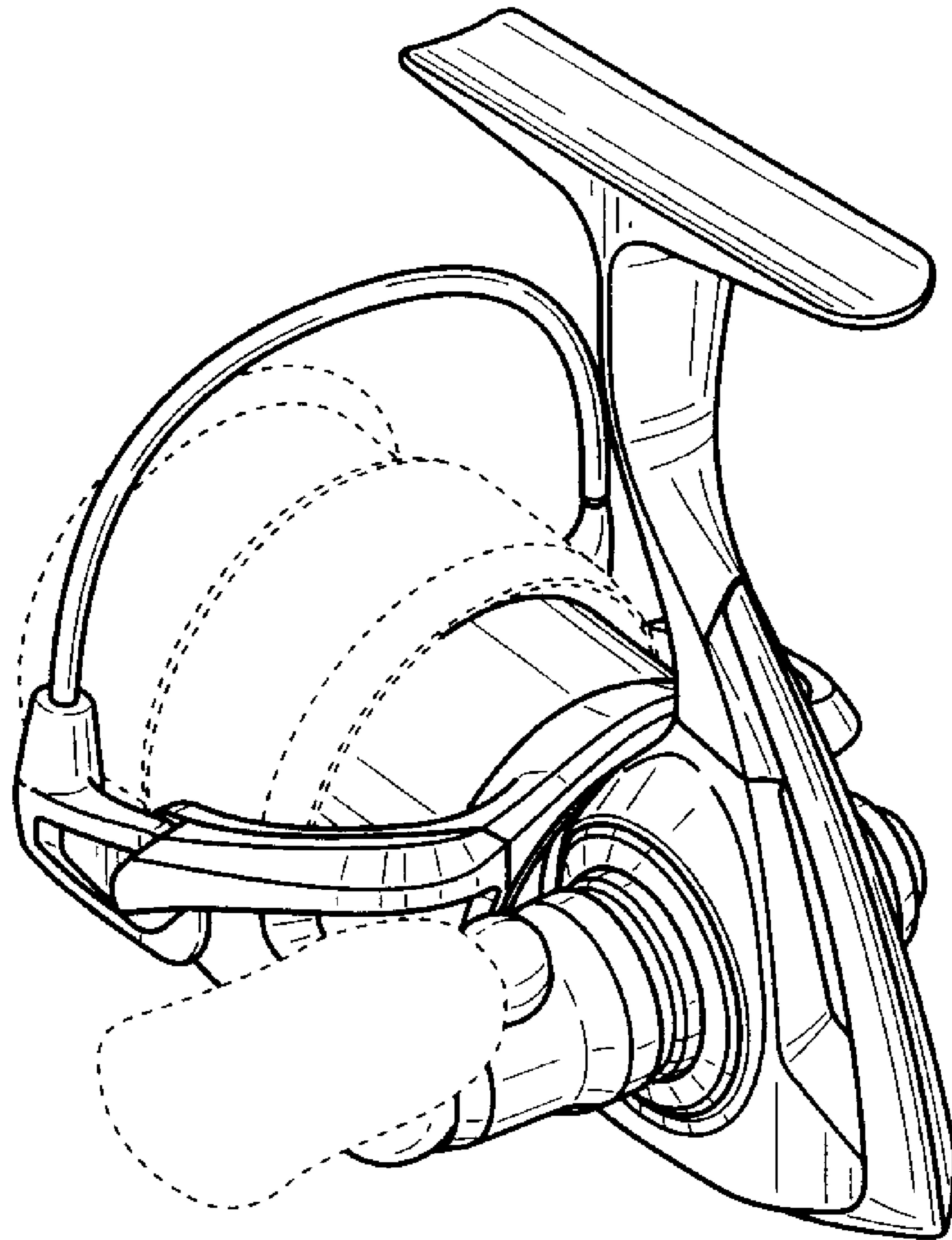
(56) **References Cited**

U.S. PATENT DOCUMENTS

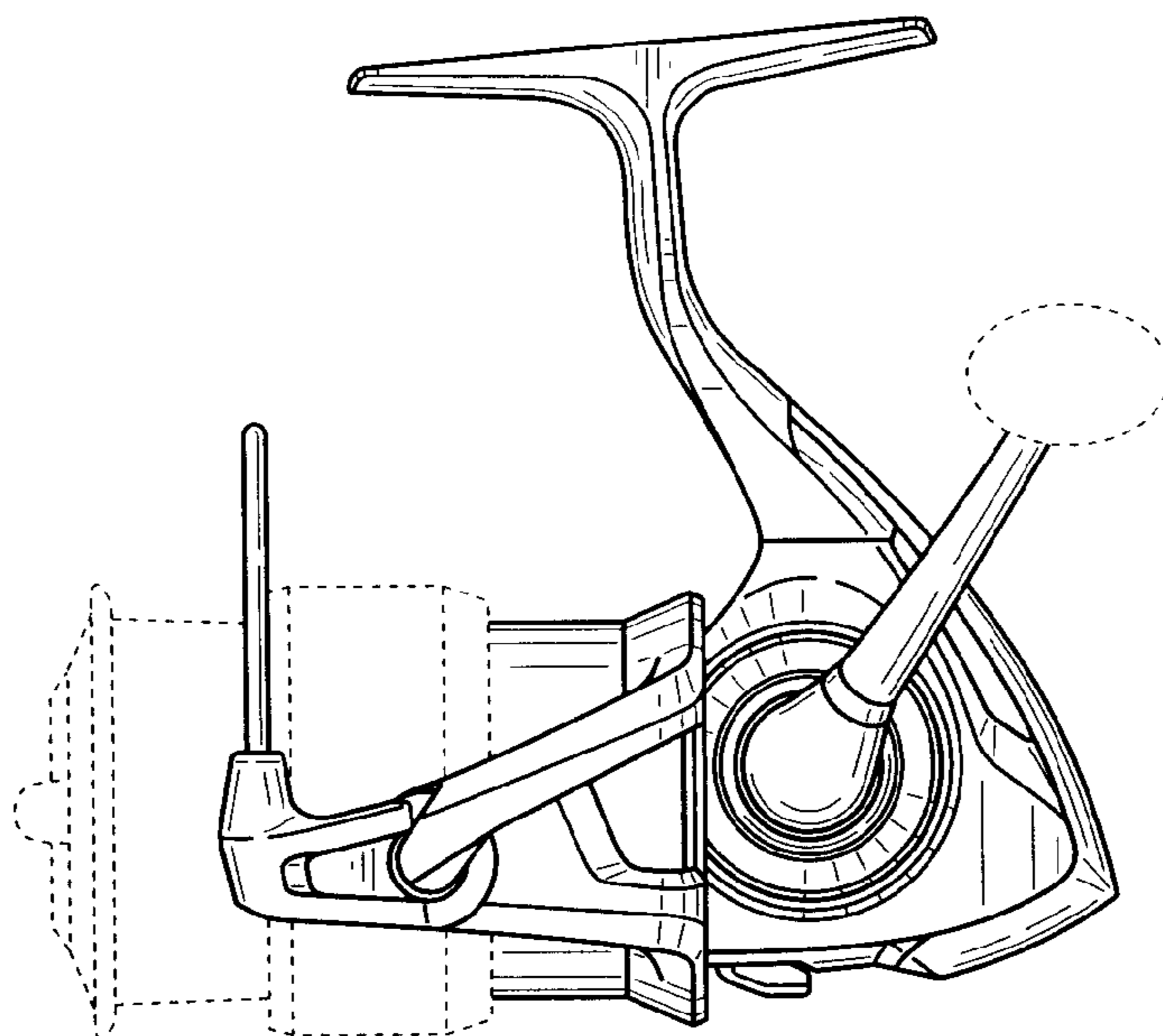
D369,643 S 5/1996 Moriya et al. .... D22/141  
D401,665 S 11/1998 Kondoh et al. .... D22/141  
D401,996 S 12/1998 Asano et al. .... D22/141  
D443,019 S \* 5/2001 Kang et al. .... D22/141  
D467,299 S \* 12/2002 Kondo et al. .... D22/141  
D497,969 S \* 11/2004 Iwabuchi ..... D22/141  
D505,710 S 5/2005 Kitazaki ..... D22/141  
D505,991 S 6/2005 Iwabuchi et al. .... D22/141

**1 Claim, 4 Drawing Sheets**

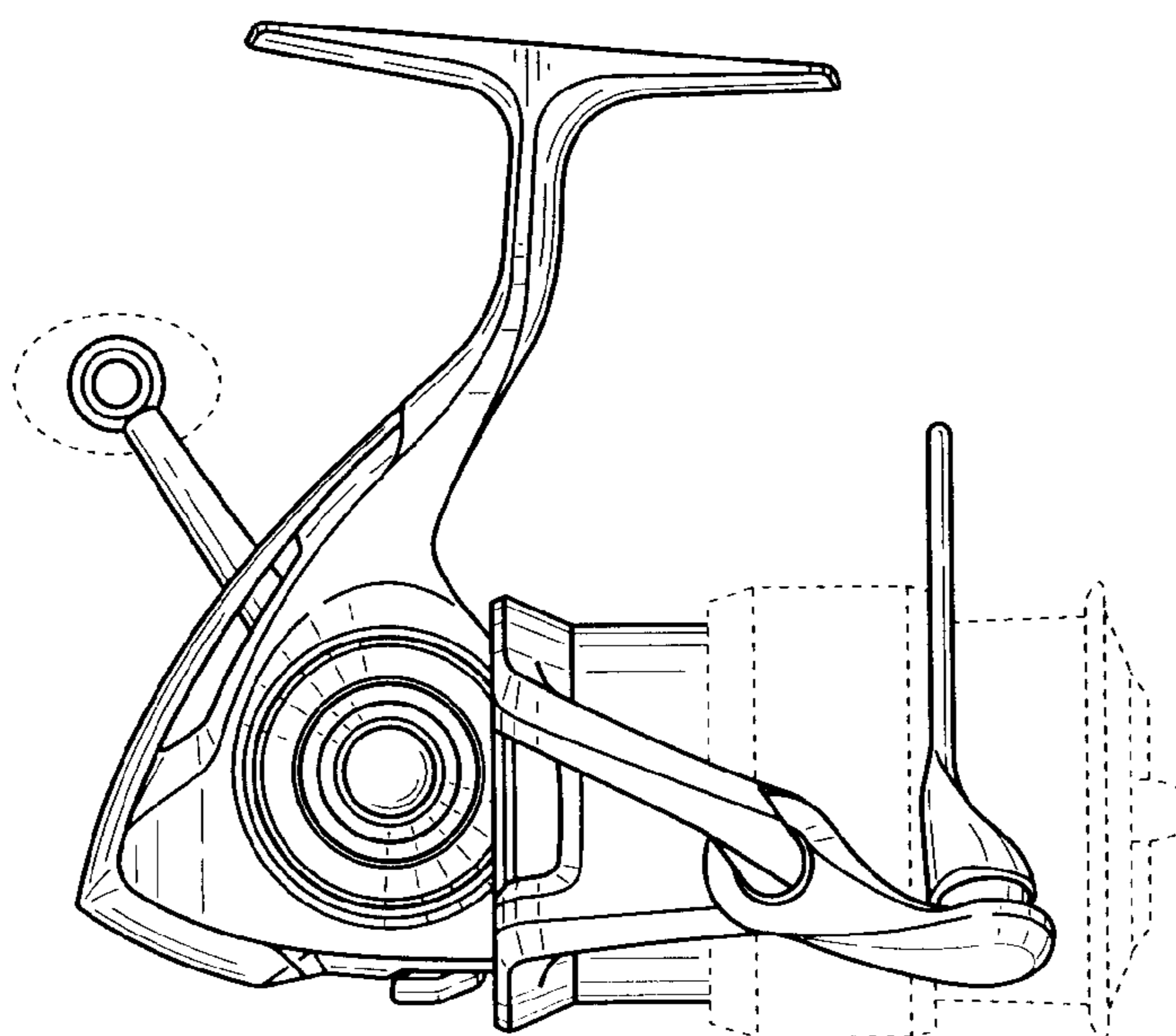




**FIG. 1**



*FIG. 2*



*FIG. 3*

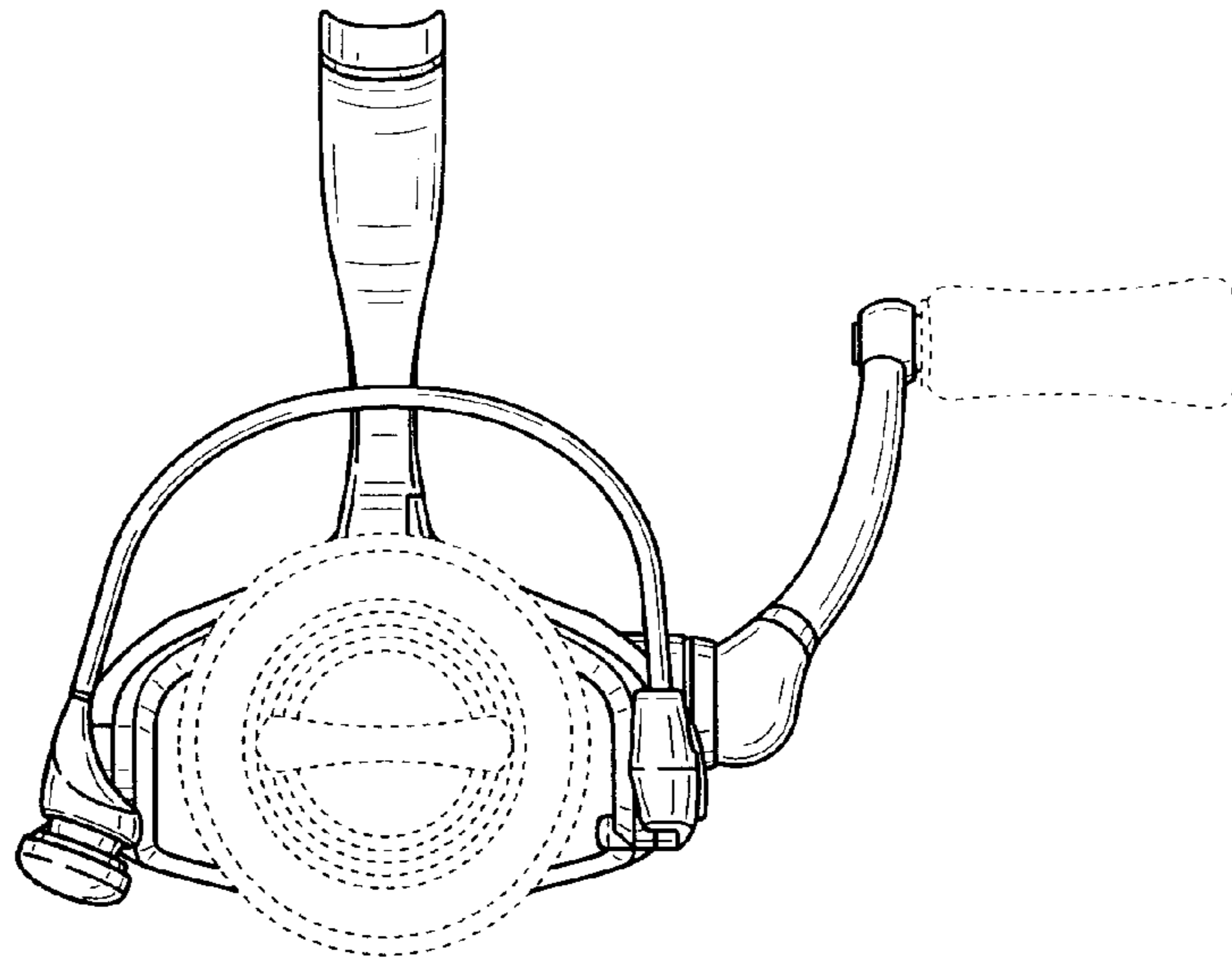


FIG. 4

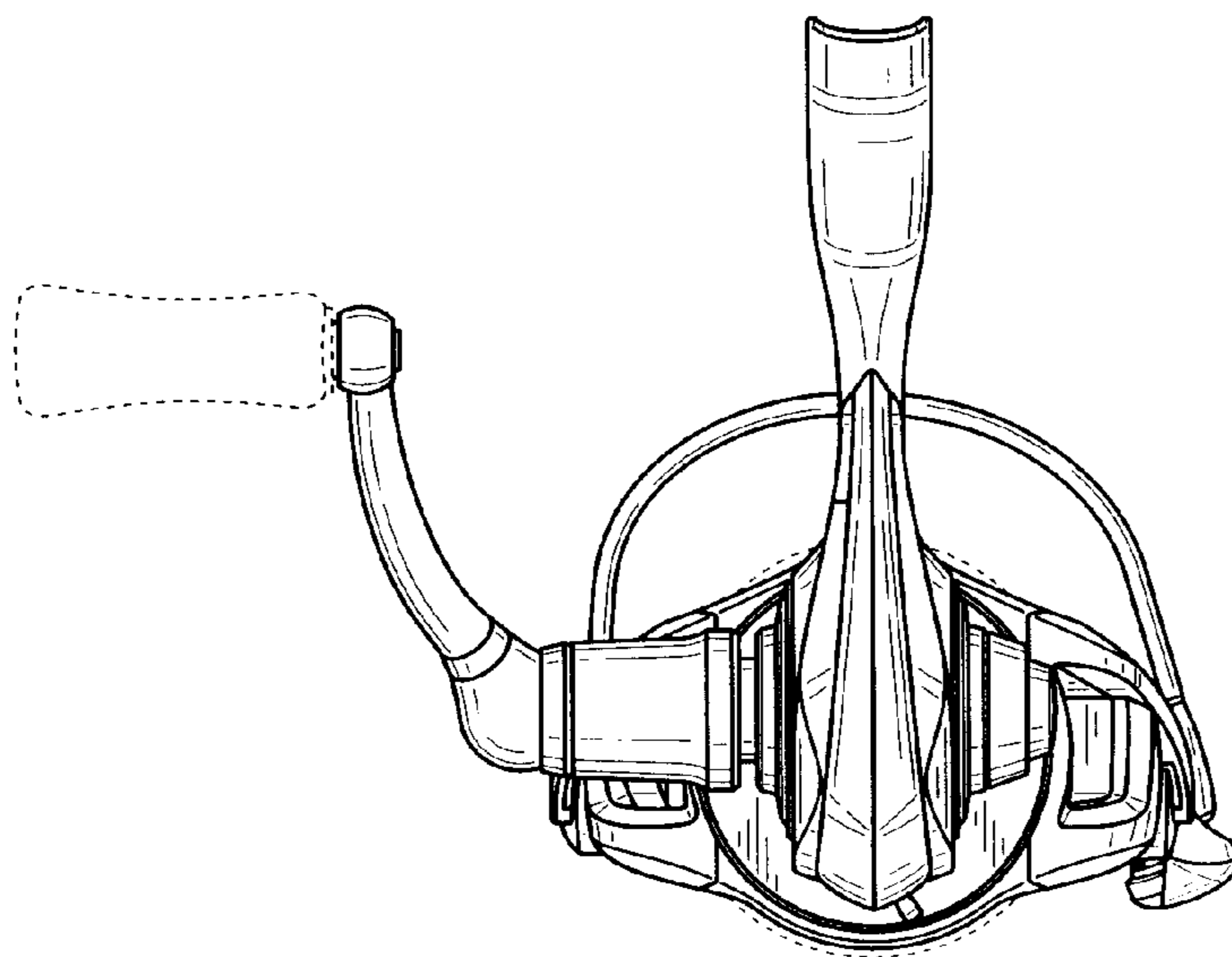
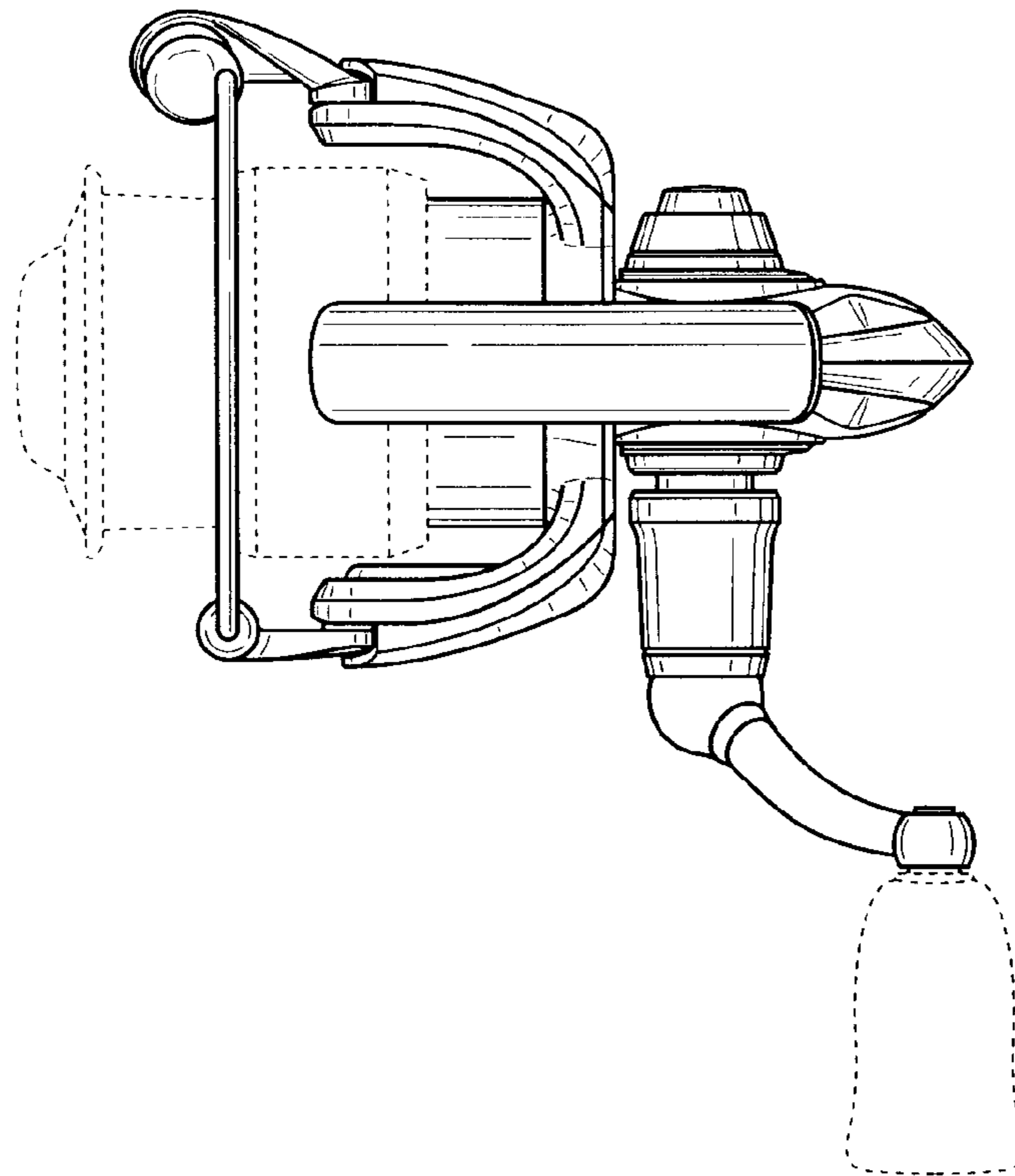
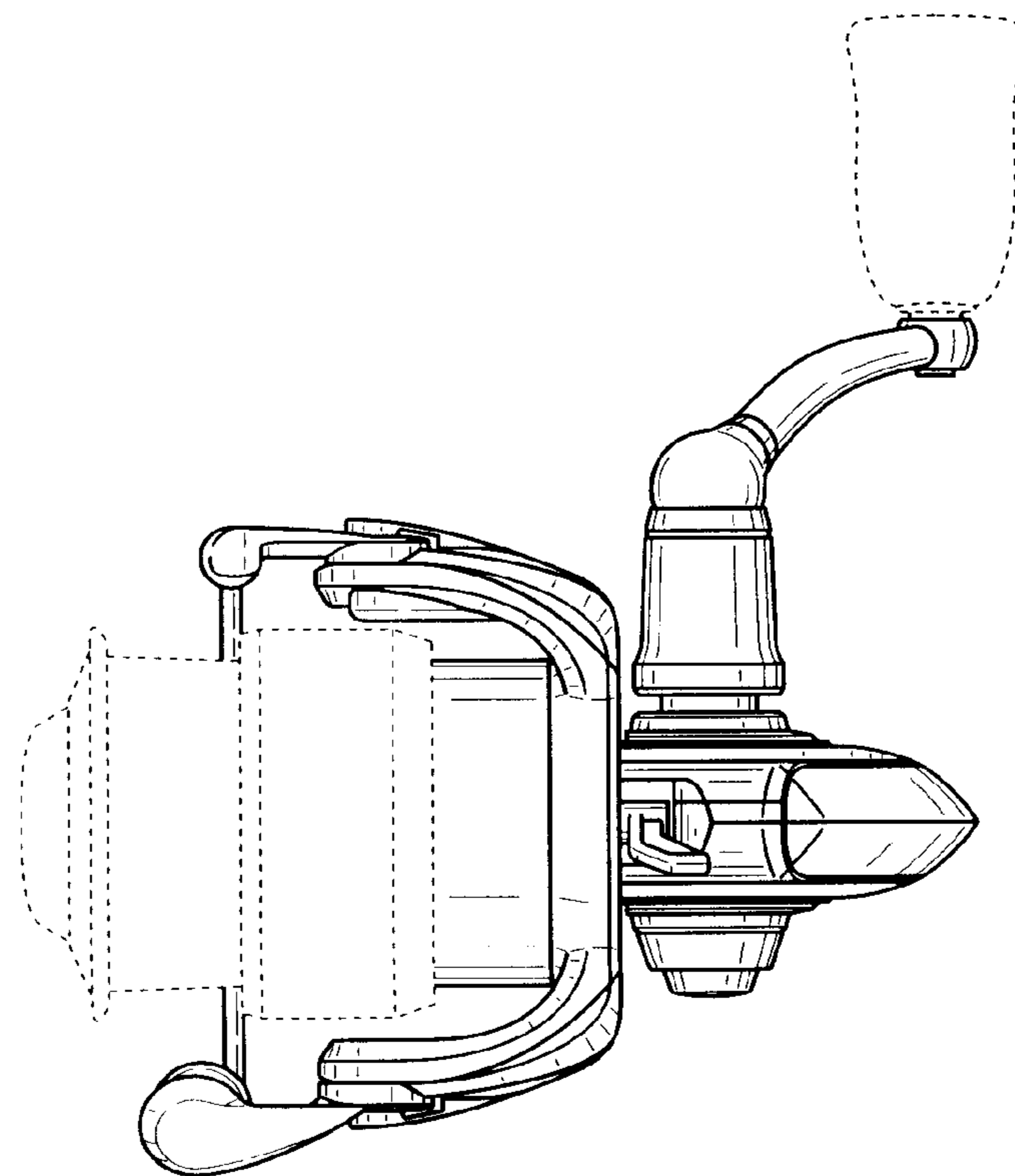


FIG. 5



*FIG. 6*



*FIG. 7*