



US00D539377S

(12) **United States Design Patent**
Kondo et al.

(10) **Patent No.:** **US D539,377 S**
(45) **Date of Patent:** **** Mar. 27, 2007**

(54) **FISHING REEL BODY**

FOREIGN PATENT DOCUMENTS

(75) Inventors: **Takashi Kondo**, Musashino (JP);
Kazuyuki Matsuda, Higashikurume
(JP)

JP	985462 S	7/1997
JP	1115301 S	7/2001
JP	1115487 S	7/2001
JP	1115488 S	7/2001
JP	1115489 S	7/2001
JP	1203640 S	4/2004
JP	1221710 S	11/2004
JP	1235272 S	4/2005

(73) Assignee: **Daiwa Seiko, Inc.**, Tokyo (JP)

(**) Term: **14 Years**

* cited by examiner

(21) Appl. No.: **29/245,666**

Primary Examiner—Catherine R. Oliver

(22) Filed: **Dec. 29, 2005**

(74) *Attorney, Agent, or Firm*—Sughrue Mion, PLLC

(30) **Foreign Application Priority Data**

Jul. 8, 2005 (JP) 2005-019979

(57) **CLAIM**

(51) **LOC (8) Cl.** **22-05**

The ornamental design for a fishing reel body, as shown and described.

(52) **U.S. Cl.** **D22/141**

(58) **Field of Classification Search** D22/141,
D22/137–140; 242/370, 223, 224, 234–240,
242/311, 322

DESCRIPTION

See application file for complete search history.

FIG. 1 is a perspective view of the top, front, and left side of a fishing reel body showing our new design;
FIG. 2 is a perspective view of the top, rear and right side thereof;
FIG. 3 is a right side elevational view thereof;
FIG. 4 is a left side elevational view thereof;
FIG. 5 is a front elevational view thereof;
FIG. 6 is a rear elevational view thereof;
FIG. 7 is a top plan view thereof; and,
FIG. 8 is a bottom plan view thereof.

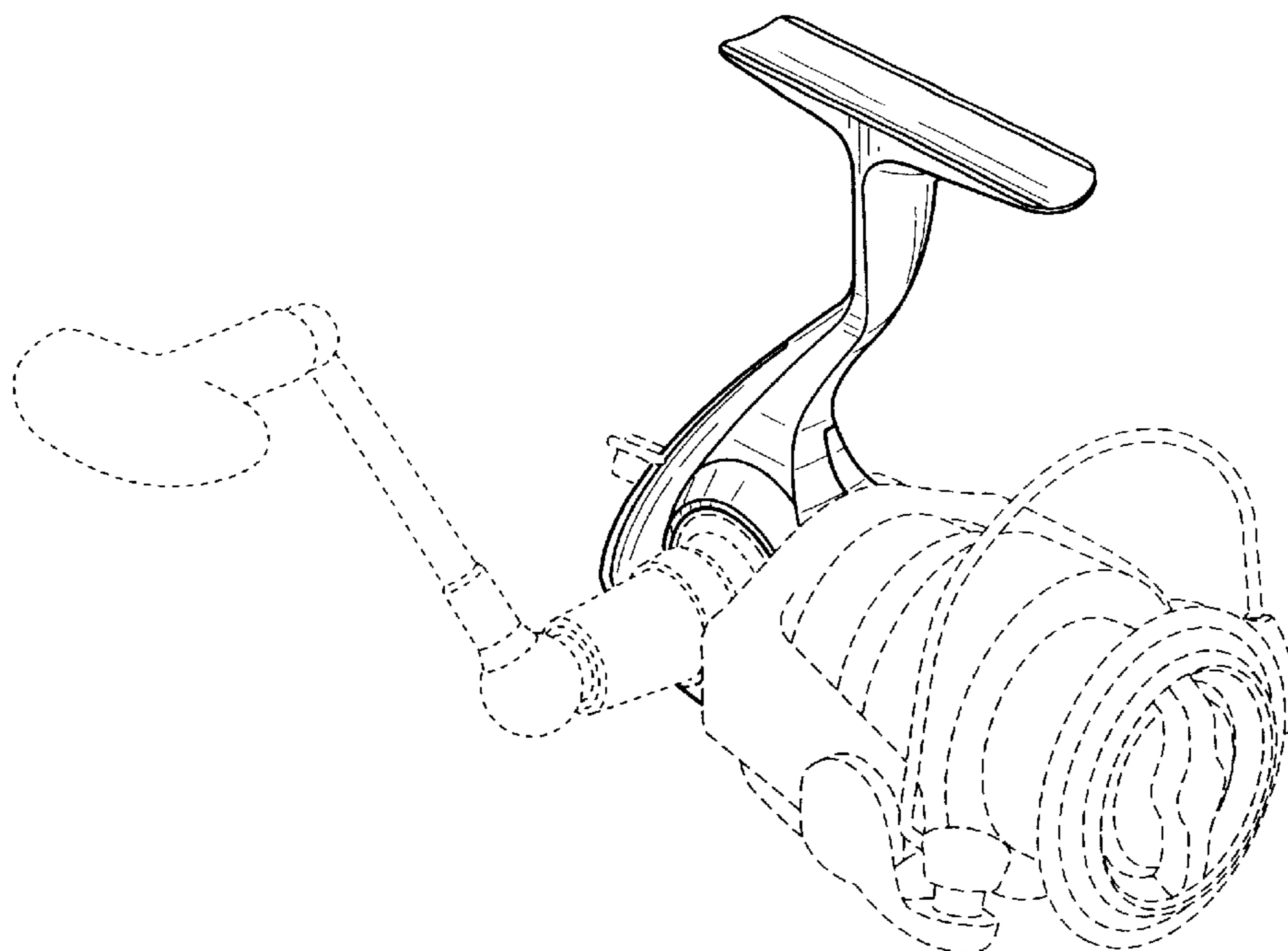
(56) **References Cited**

U.S. PATENT DOCUMENTS

D369,643 S	5/1996	Moriya et al.	D22/141
D401,665 S	11/1998	Kondoh et al.	D22/141
D401,996 S	12/1998	Asano et al.	D22/141
D443,019 S	* 5/2001	Kang et al.	D22/141
D467,299 S	* 12/2002	Kondo et al.	D22/141
D497,969 S	* 11/2004	Iwabuchi	D22/141
D505,991 S	6/2005	Iwabuchi et al.	D22/141
D516,160 S	* 2/2006	Iwabuchi	D22/141

The portions shown in broken lines are for illustrative purposes only and form no part of the claimed design.

1 Claim, 4 Drawing Sheets



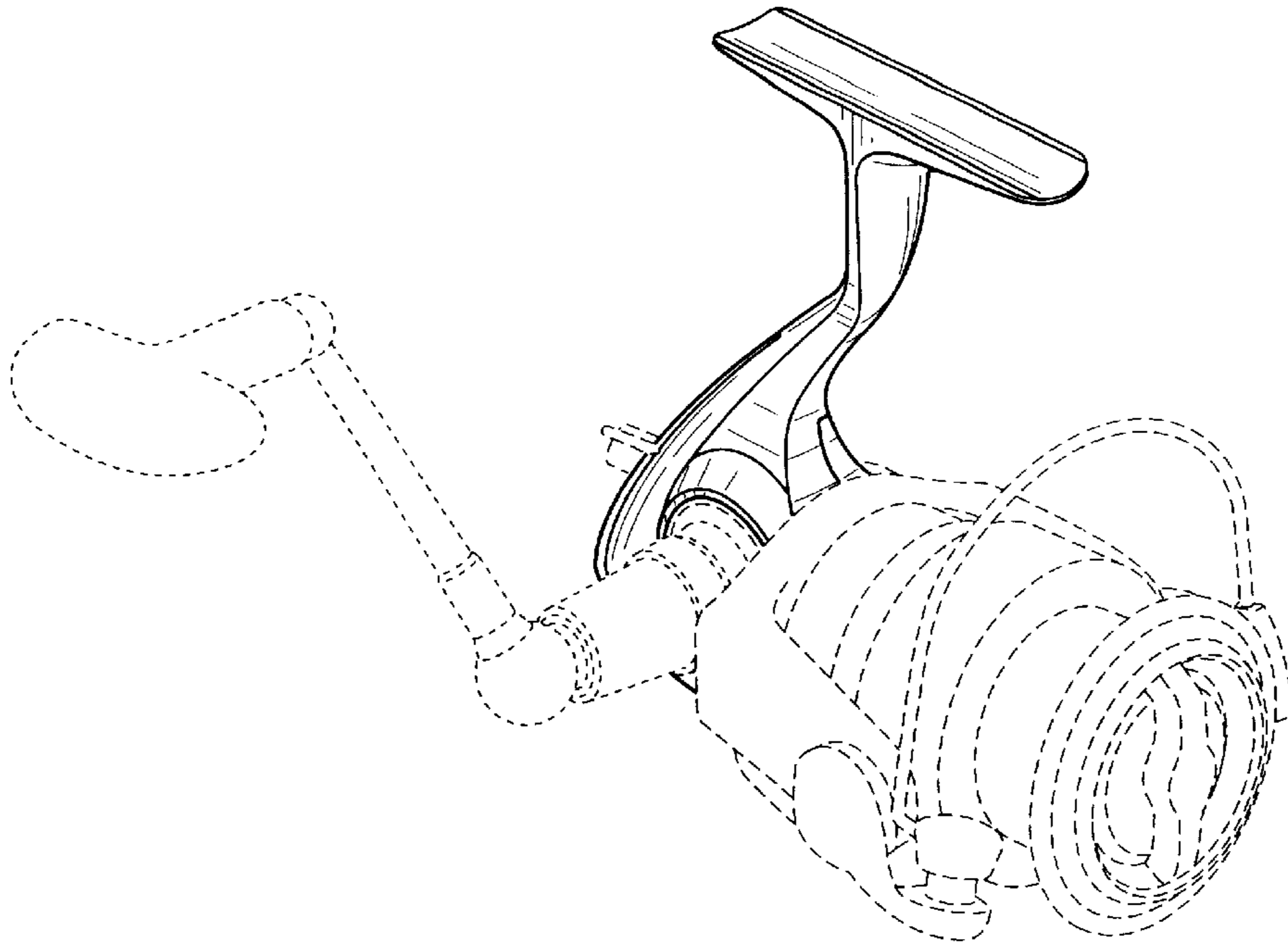


FIG. 1

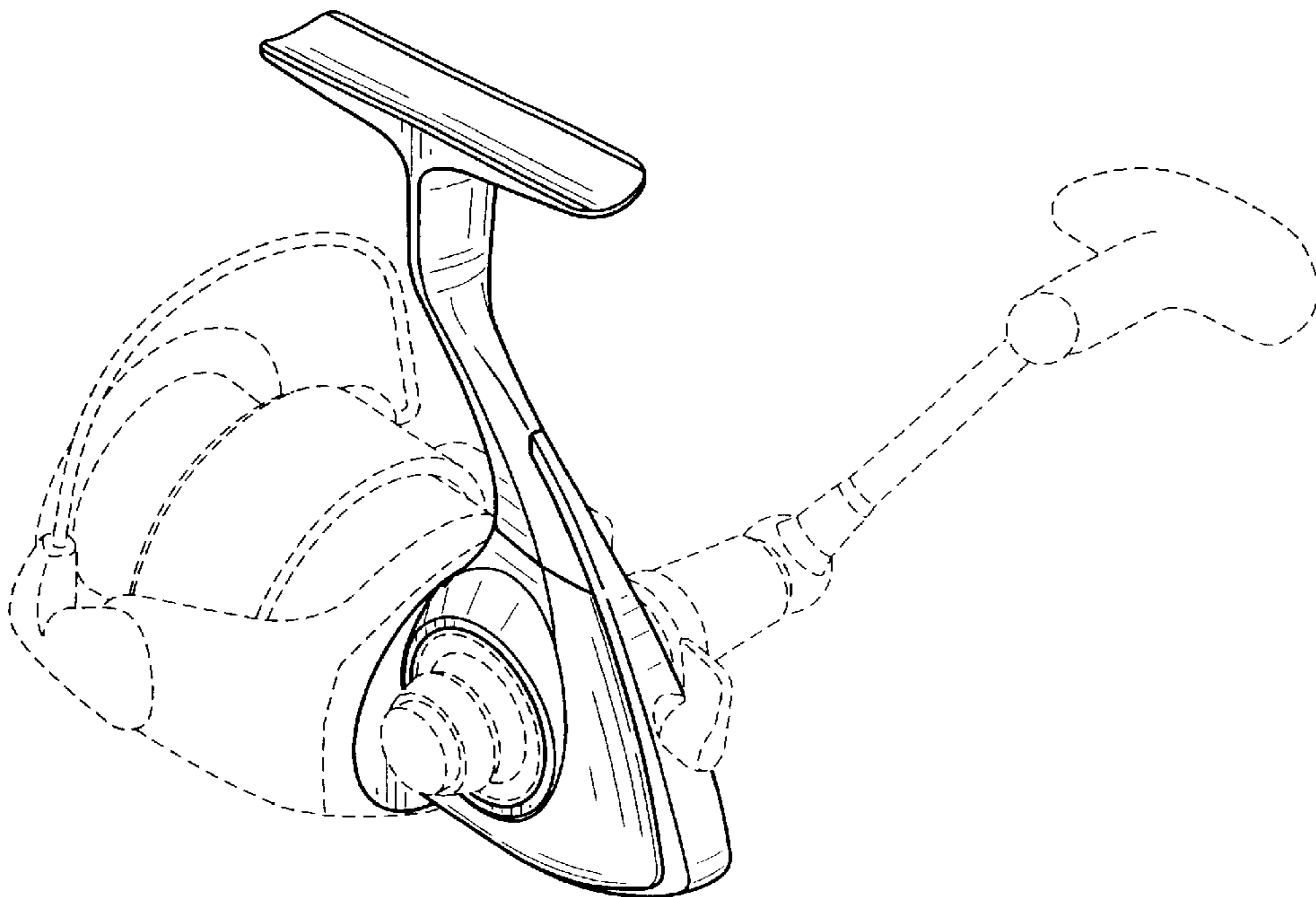


FIG. 2

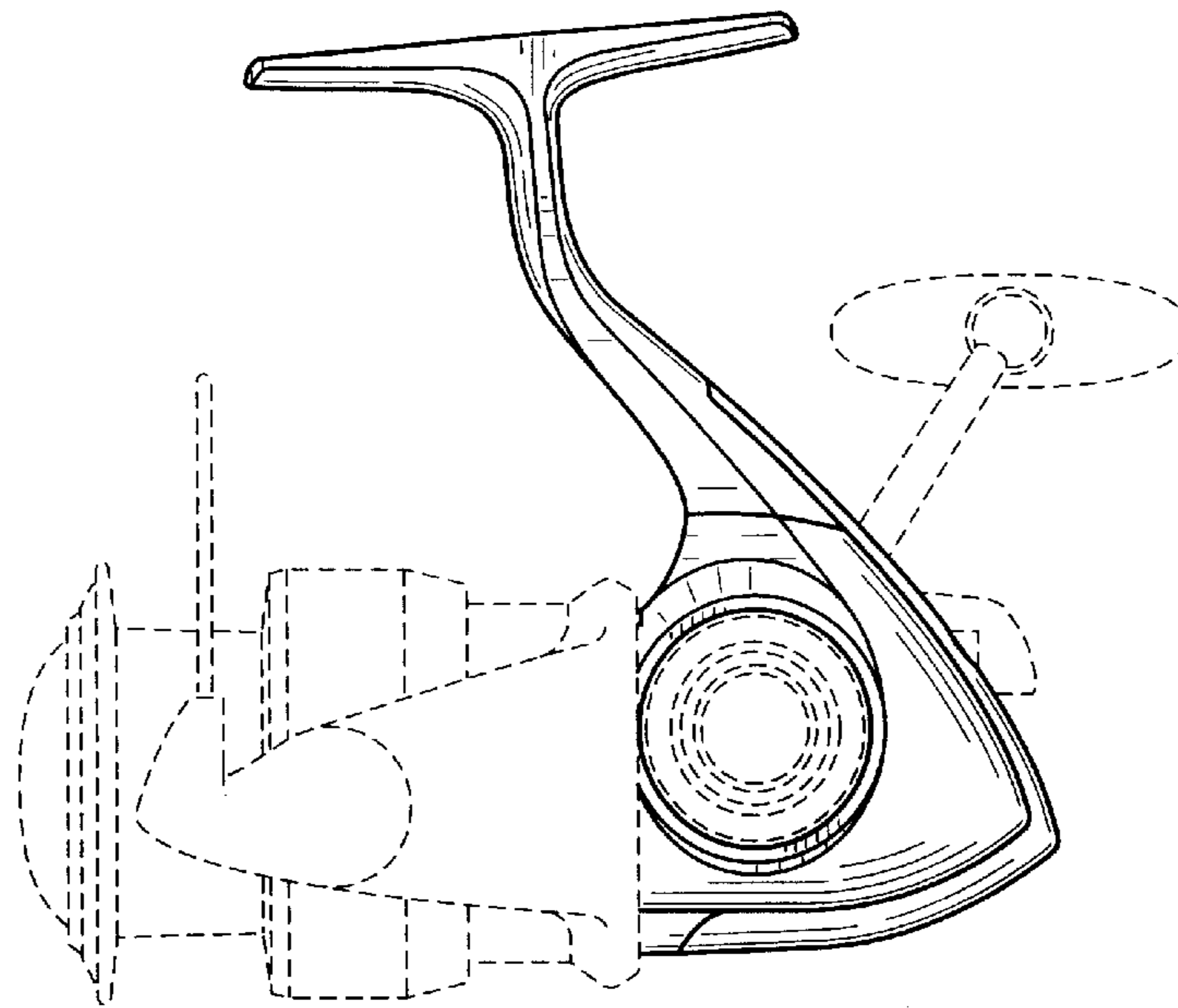


FIG. 3

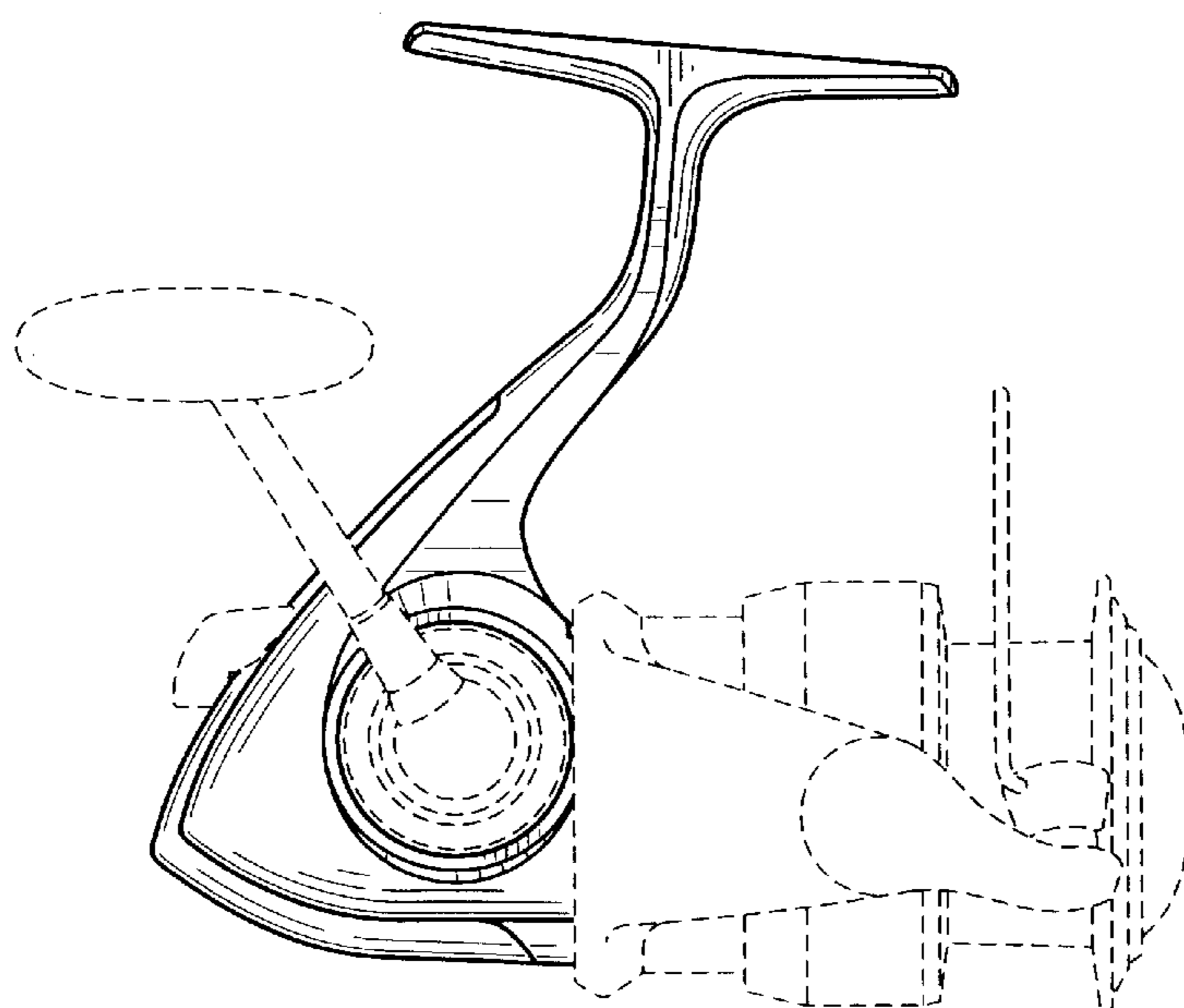


FIG. 4

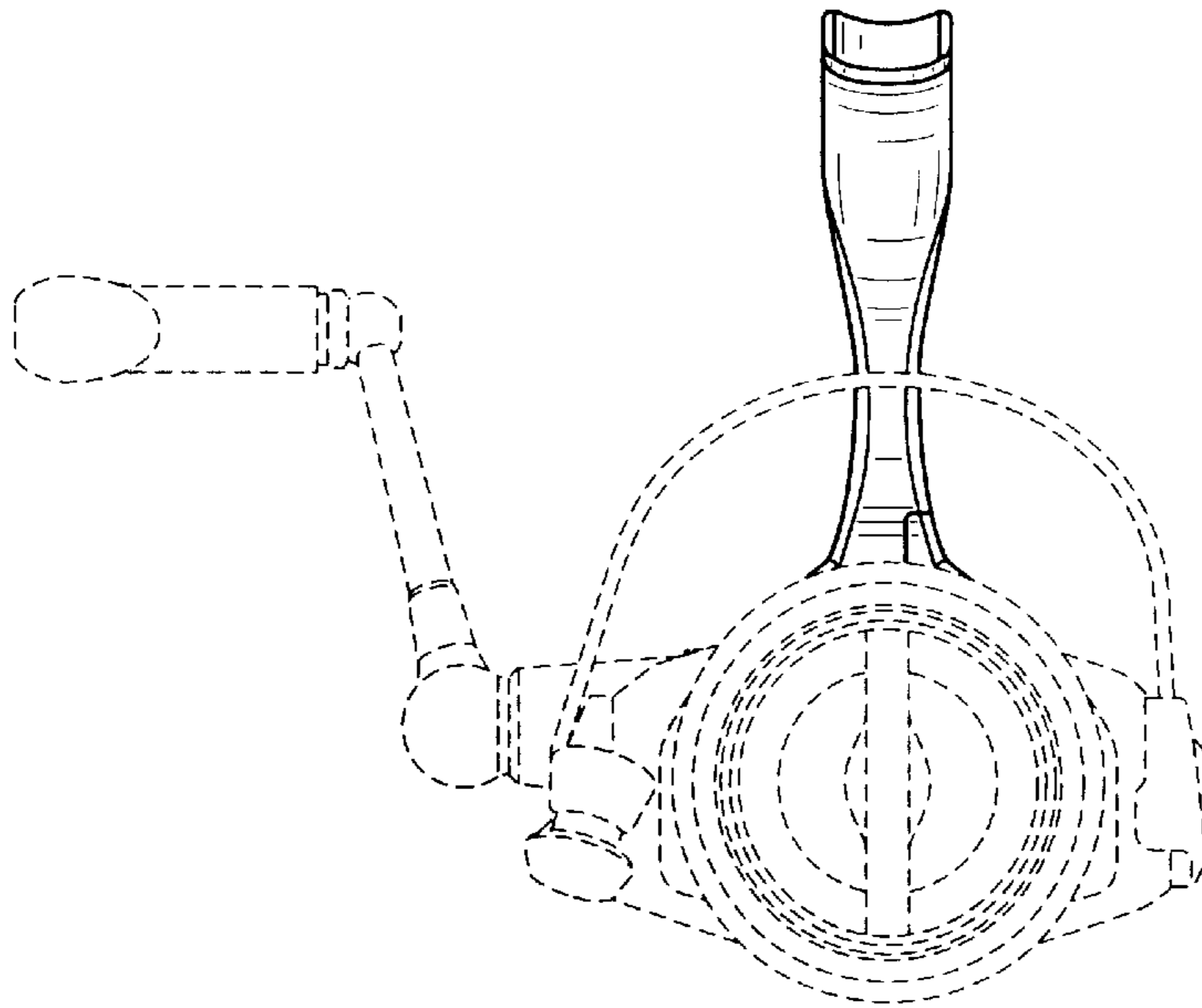


FIG. 5

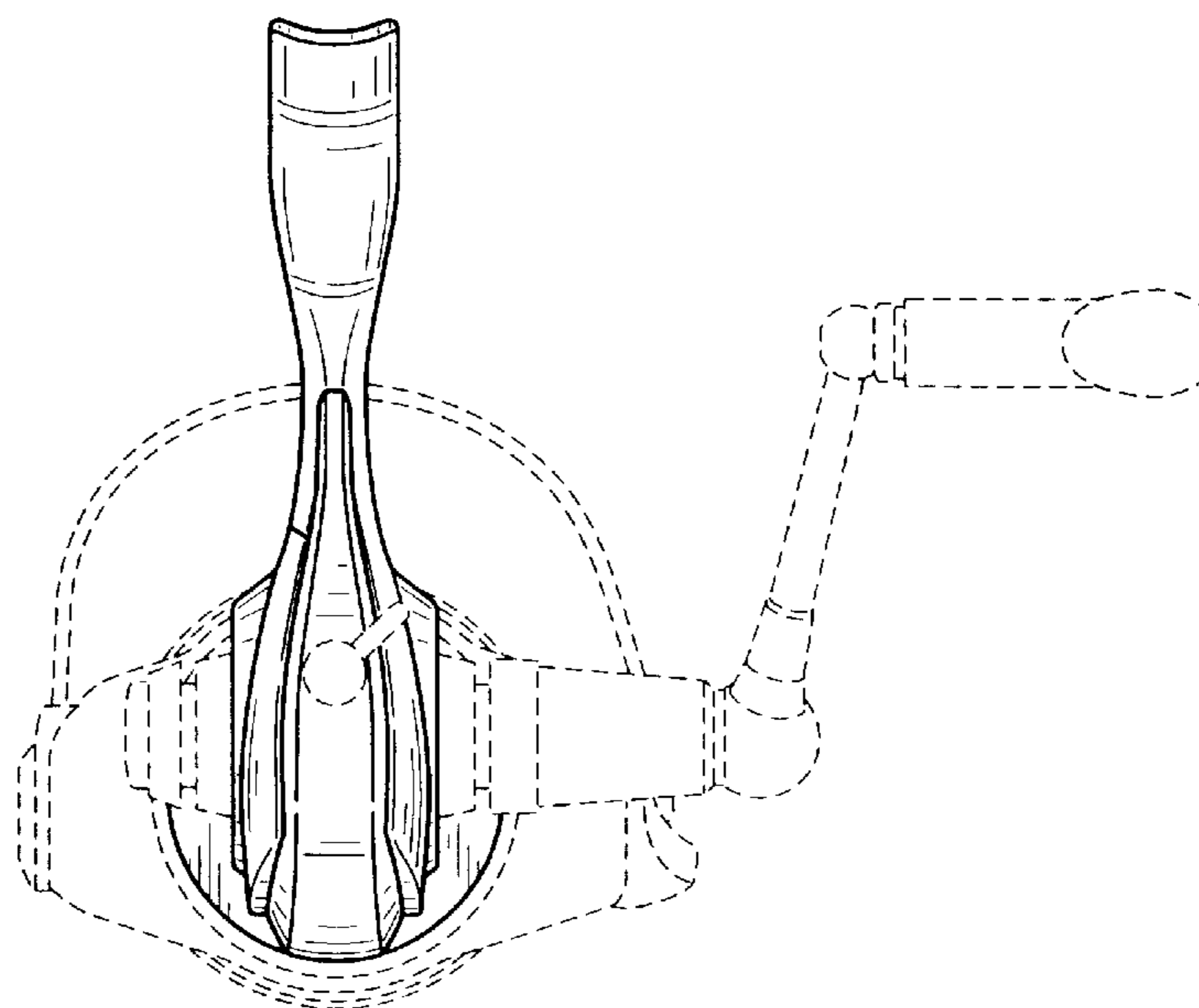


FIG. 6

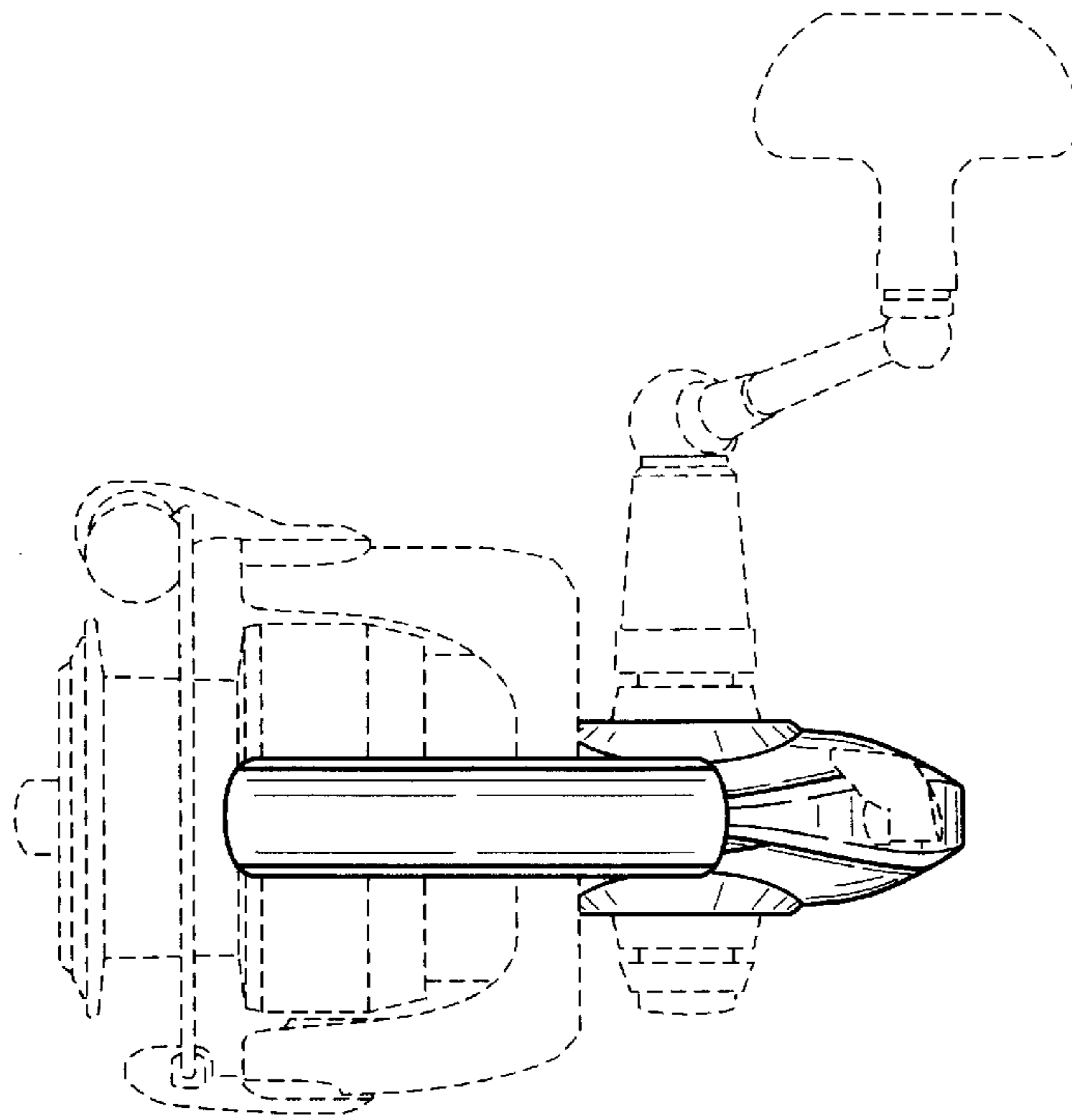


FIG. 7

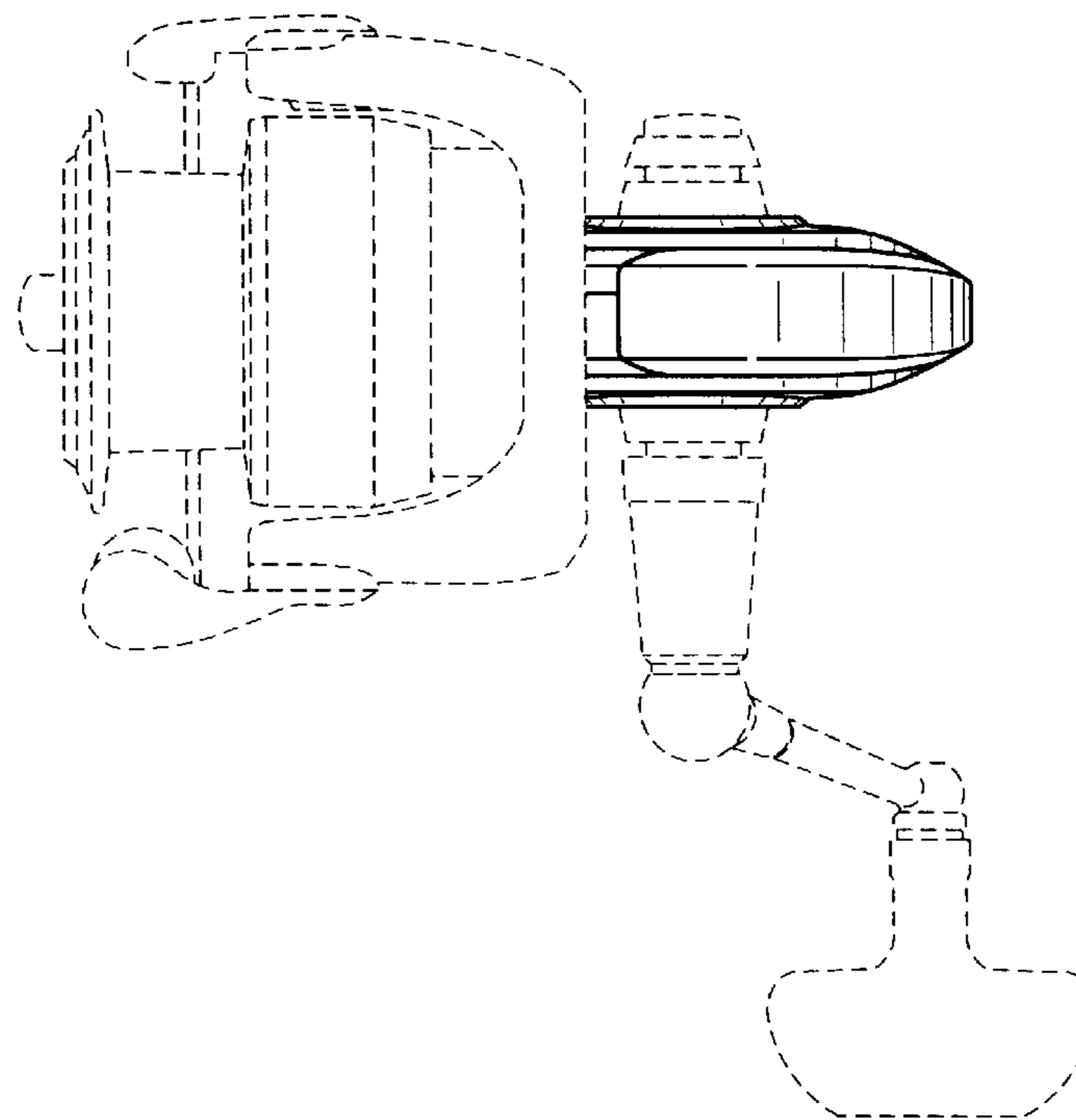


FIG. 8