



US00D539373S

(12) **United States Design Patent**
Cook

(10) **Patent No.:** **US D539,373 S**
(45) **Date of Patent:** **** Mar. 27, 2007**

(54) **BASKETBALL TRAINING DEVICE**

(76) Inventor: **Terry F. Cook**, 1412 W. Sunset Ave.,
Decatur, IL (US) 62522

(**) Term: **14 Years**

(21) Appl. No.: **29/262,757**

(22) Filed: **Jul. 11, 2006**

(51) **LOC (8) Cl.** **21-02**

(52) **U.S. Cl.** **D21/781**

(58) **Field of Classification Search** D21/302,
D21/306, 698, 699, 701, 781, 594, 658; D19/59-62;
D20/31; 473/415-464, 472; 273/317.3, 348,
273/359, 407, 127 R; 434/247, 248, 256,
434/258; 40/421-423

See application file for complete search history.

(56) **References Cited**

U.S. PATENT DOCUMENTS

1,266,494	A	*	5/1918	Lakin	273/383
1,897,918	A	*	2/1933	Wagenhals	40/423
3,675,921	A	*	7/1972	Meyers, Sr.	473/448
4,373,733	A	*	2/1983	Smith, Jr.	273/381
4,462,599	A	*	7/1984	Brown	473/430
4,989,862	A	*	2/1991	Curtis	473/448
D321,370	S	*	11/1991	Curtis	D19/62
5,485,993	A	*	1/1996	Lipsett	473/448

D370,242	S	*	5/1996	Bright	D21/781
5,527,185	A	*	6/1996	Davis	473/438
5,816,951	A	*	10/1998	Hudock	473/447
5,890,985	A	*	4/1999	Jenney	473/447

* cited by examiner

Primary Examiner—Catherine Tuttle

(74) *Attorney, Agent, or Firm*—Philip L. Bateman

(57) **CLAIM**

The ornamental design for a basketball training device, as shown and described.

DESCRIPTION

FIG. 1 is a top and left side perspective view of a basketball training device showing my new design. The device is in a configuration to simulate an opposing player defending shooting with the arms extending upward and the pole raised;

FIG. 2 is a top plan view thereof;

FIG. 3 is a left side elevation view thereof;

FIG. 4 is a front elevation view thereof;

FIG. 5 is a rear elevation view thereof; and,

FIG. 6 is a front elevation view thereof showing the basketball training device in a configuration to simulate an opposing player defending dribbling with the arms extending outward and the pole lowered.

1 Claim, 2 Drawing Sheets

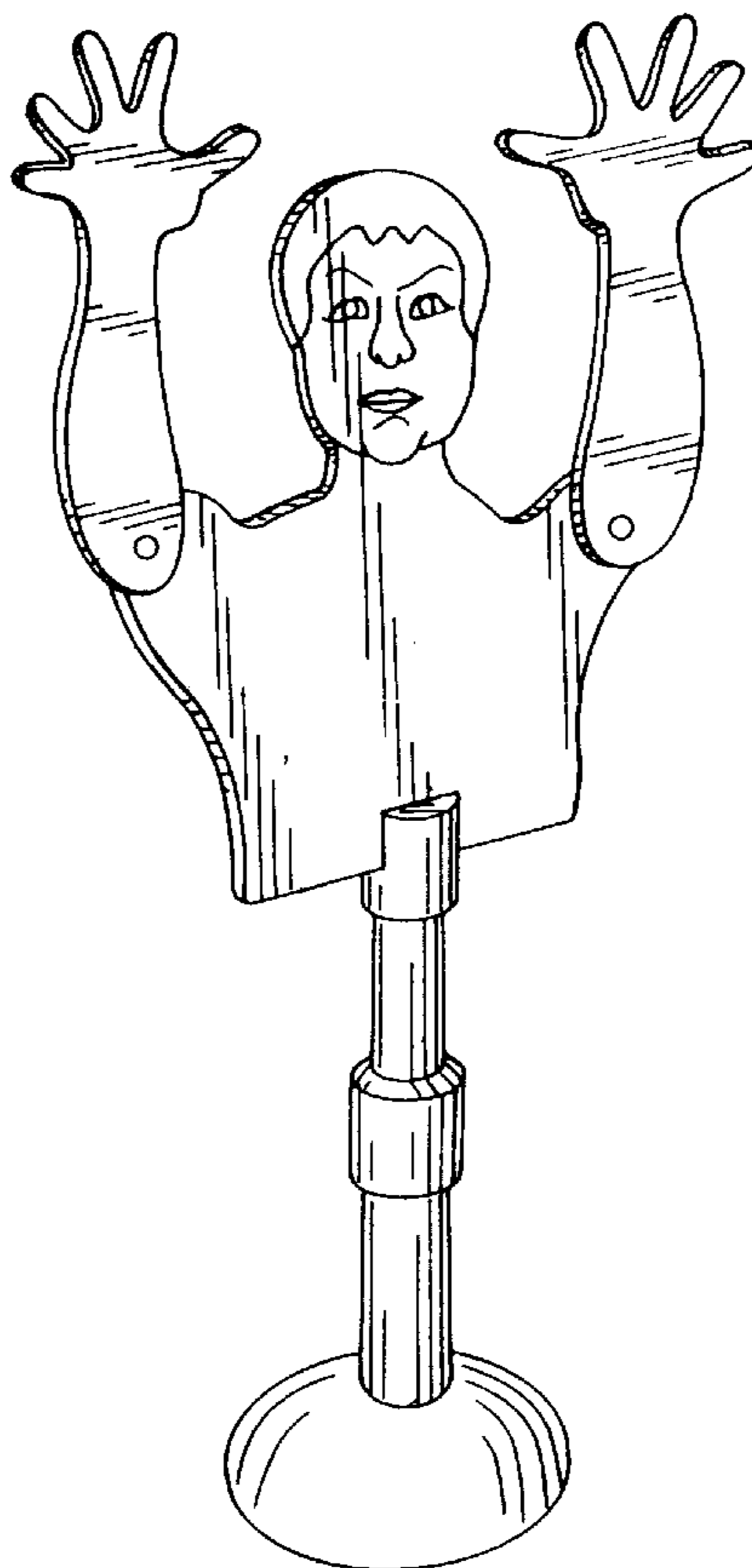


FIG. 1

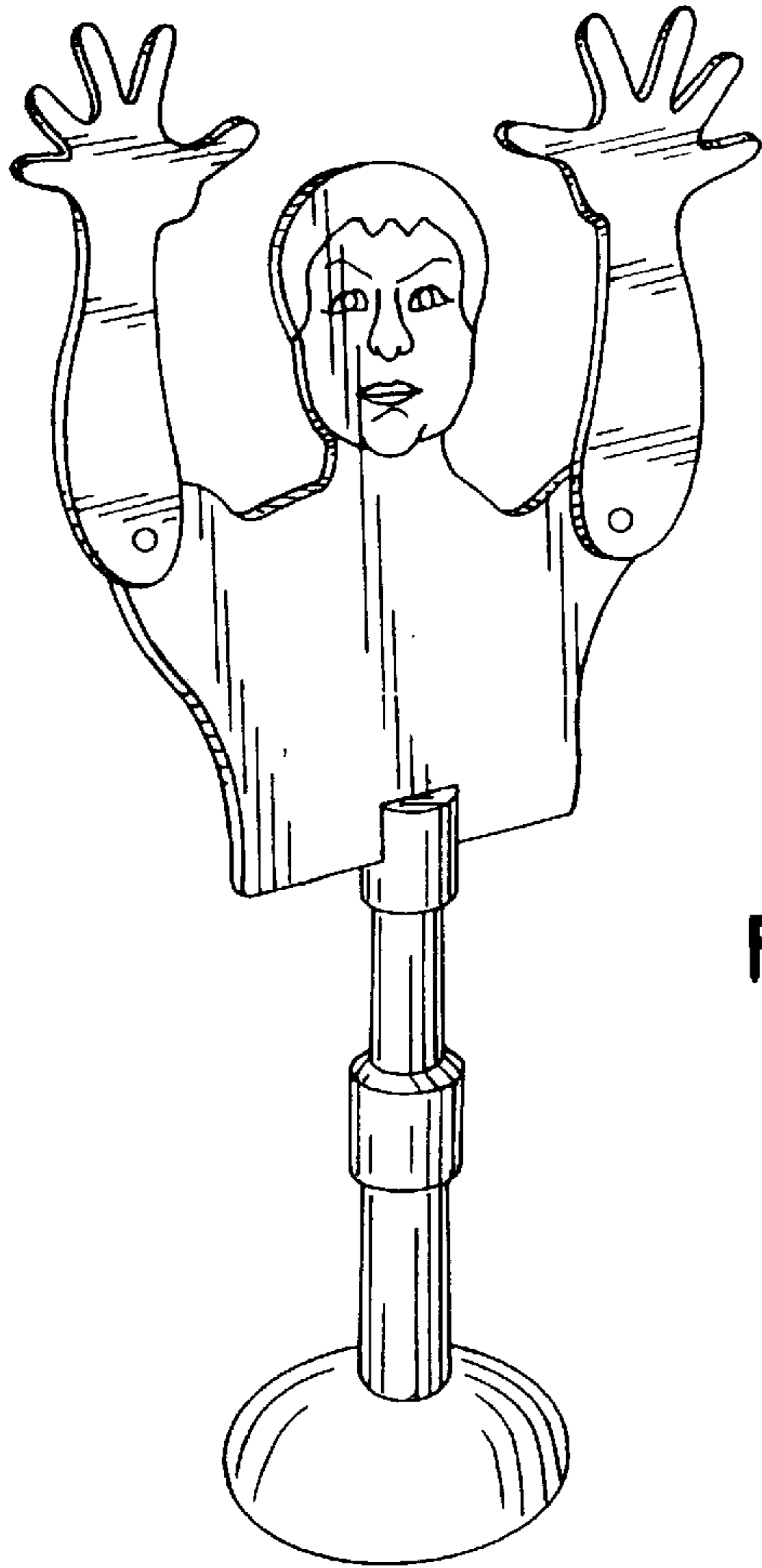


FIG. 2

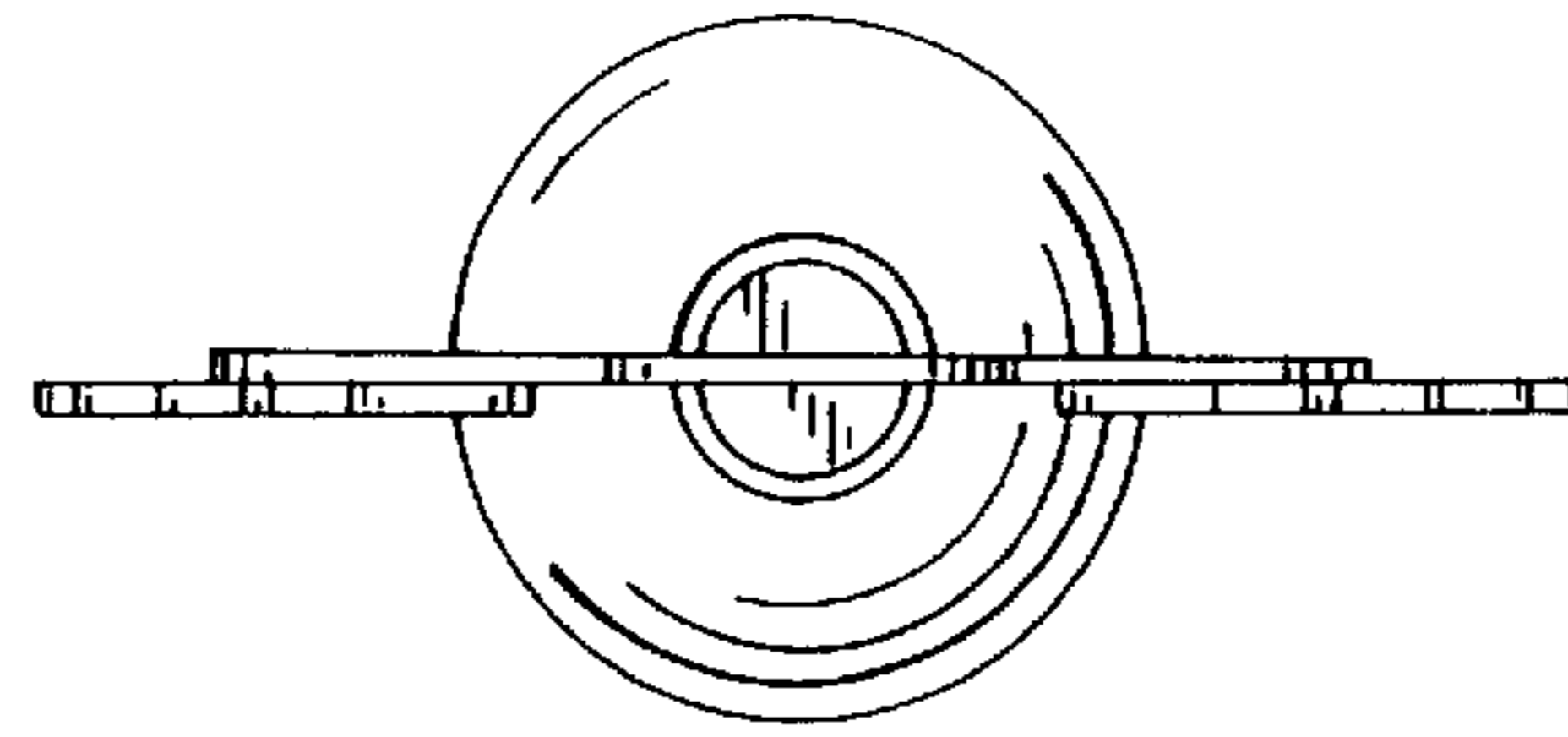


FIG. 3

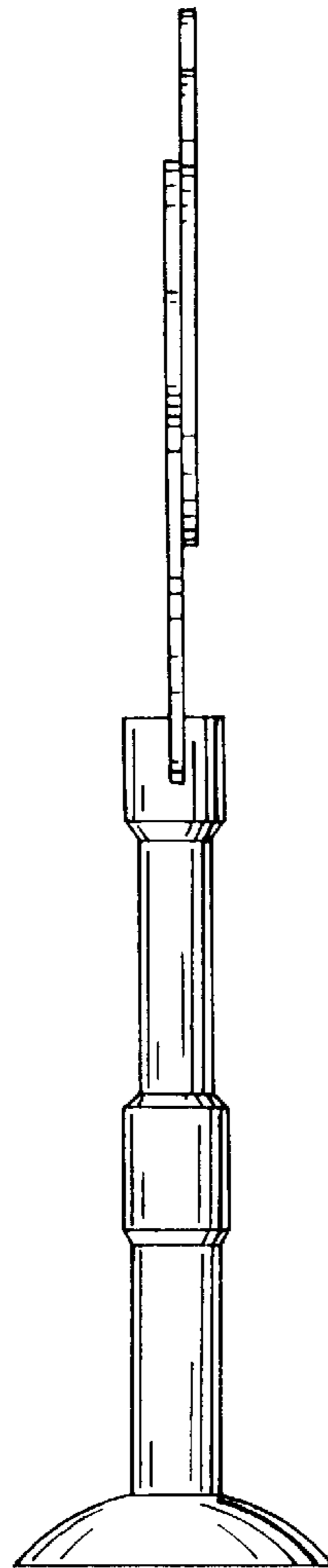
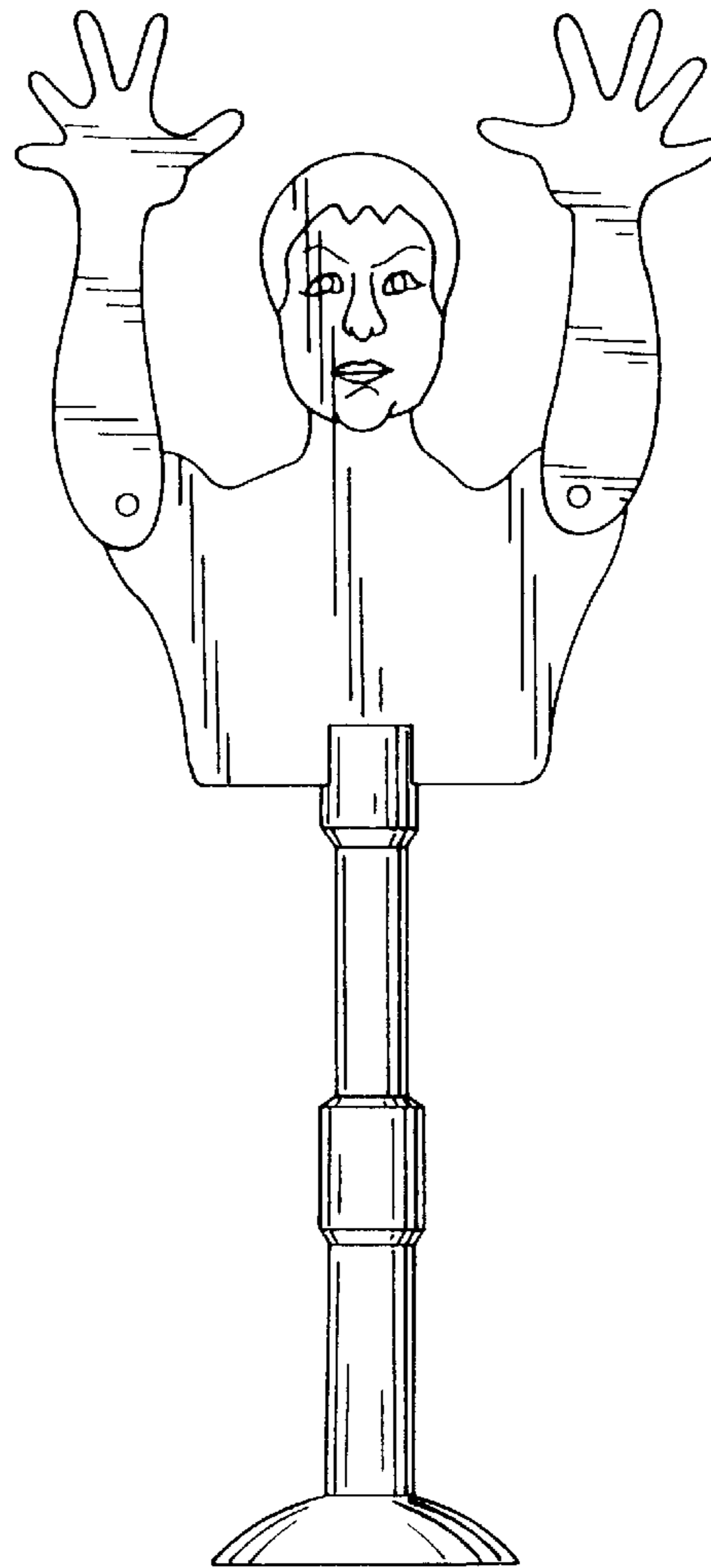


FIG. 4



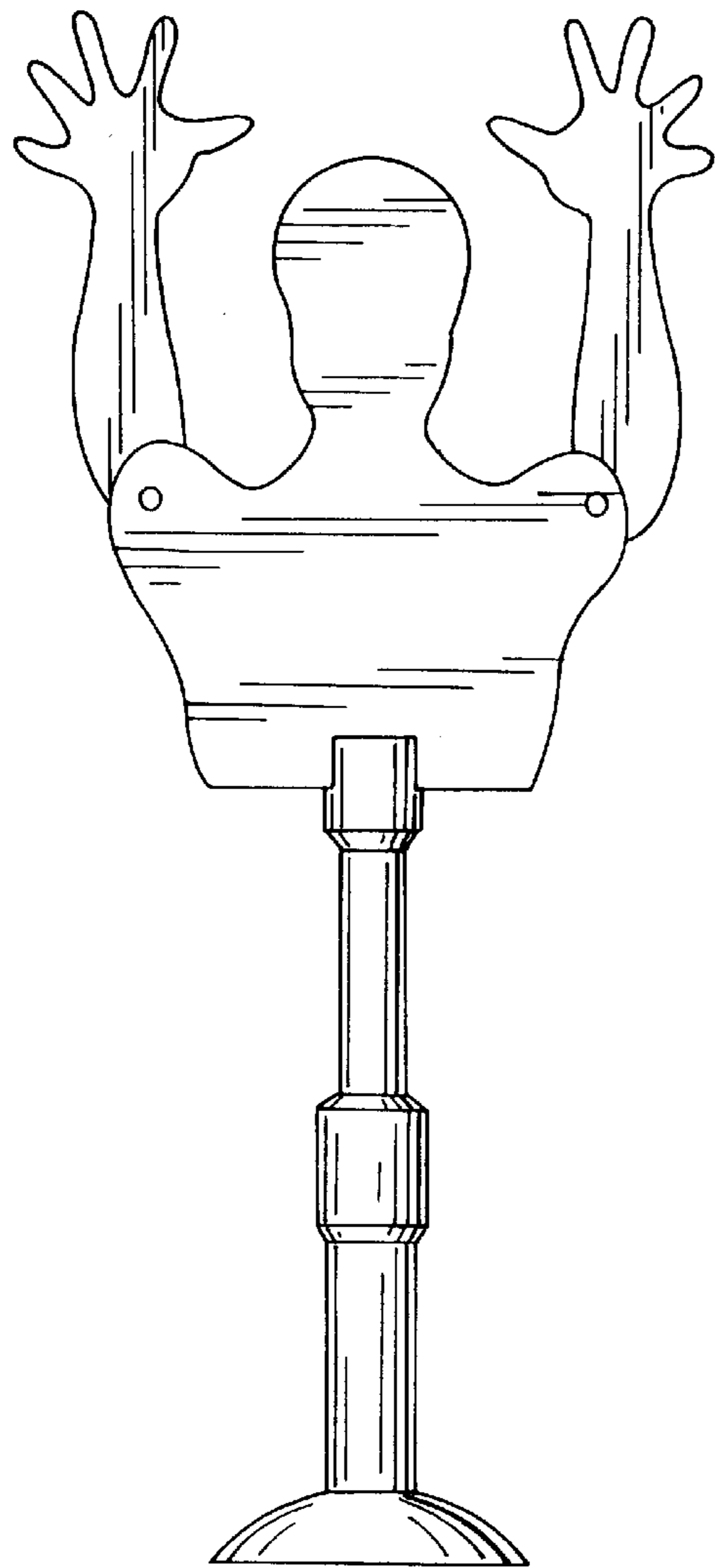


FIG. 5

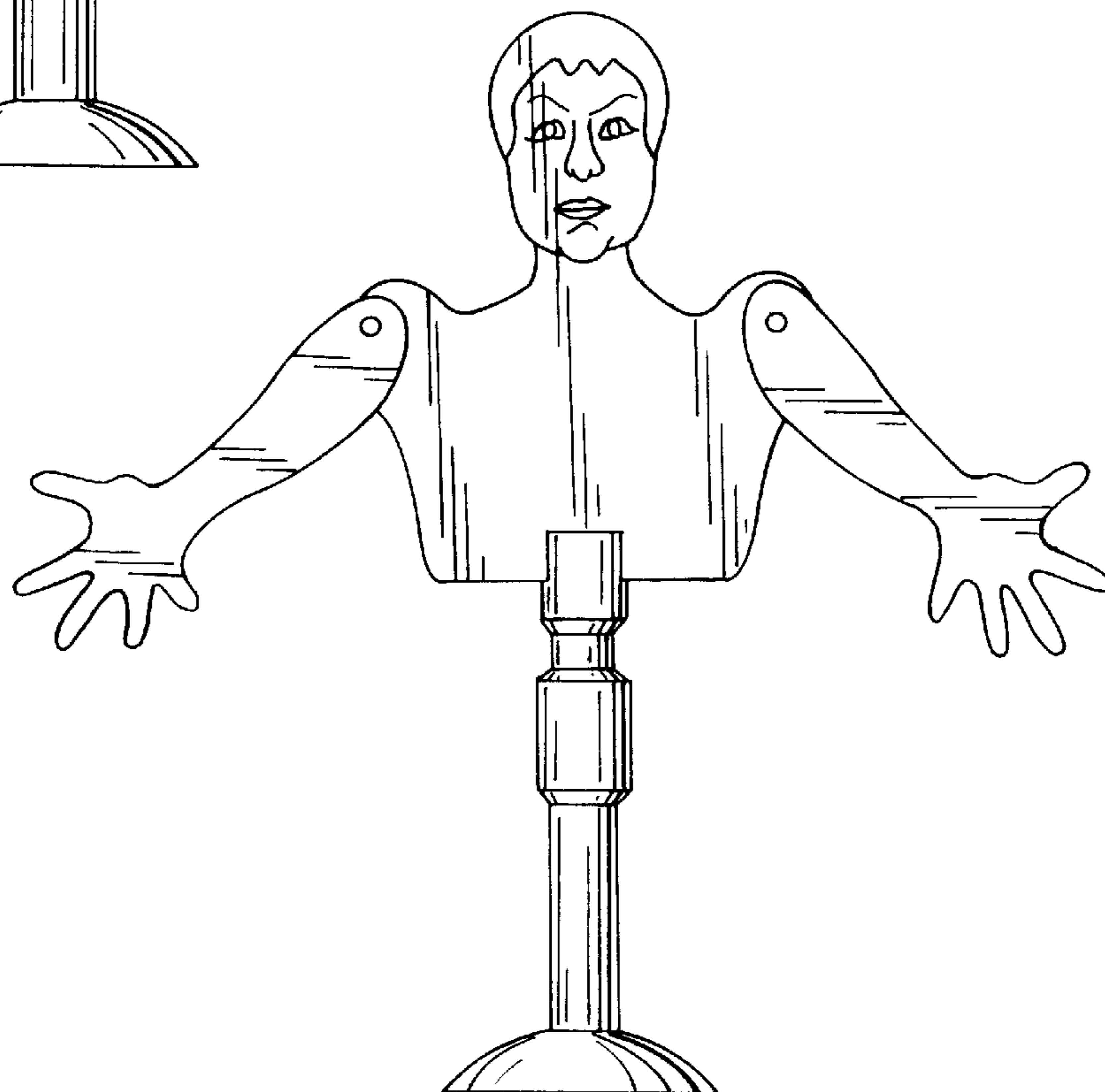


FIG. 6