



US00D539368S

(12) **United States Design Patent**
Choo

(10) **Patent No.:** **US D539,368 S**

(45) **Date of Patent:** **** Mar. 27, 2007**

(54) **SNAP-IN GOLF TEE**

(76) Inventor: **Jae Cheon Choo**, 2-1002, Sang-A,
Apt., 4-13. Dangsang-Dong 5(O)-Ga,
Yeongdeungpo-Gu, Seoul 150-045 (KR)

(**) Term: **14 Years**

(21) Appl. No.: **29/260,322**

(22) Filed: **May 23, 2006**

(30) **Foreign Application Priority Data**

Dec. 5, 2005 (KR) 30-2005-0040781

(51) **LOC (8) Cl.** **21-02**

(52) **U.S. Cl.** **D21/718**

(58) **Field of Classification Search** D21/717-721,
D21/789-796; 473/133, 386, 387-403, 407
See application file for complete search history.

(56) **References Cited**

U.S. PATENT DOCUMENTS

| | | | | | |
|-----------|------|---------|--------------|-------|---------|
| 2,165,479 | A * | 7/1939 | Hallberg | | 473/257 |
| 2,668,710 | A * | 2/1954 | Carlson | | 473/393 |
| 3,675,929 | A * | 7/1972 | Guarino, Sr. | | 473/257 |
| 4,516,780 | A * | 5/1985 | Tabet | | 473/398 |
| D399,896 | S * | 10/1998 | Plain | | D21/717 |
| D432,606 | S * | 10/2000 | Labbe | | D21/718 |
| 6,186,907 | B1 * | 2/2001 | Woodward | | 473/400 |
| D442,243 | S * | 5/2001 | Cutino | | D21/717 |

FOREIGN PATENT DOCUMENTS

| | | | |
|----|------------|-----|--------|
| JP | 10155955 | A * | 6/1998 |
| JP | 2003180894 | A * | 7/2003 |
| KR | 2004072488 | A * | 8/2004 |

* cited by examiner

Primary Examiner—Catherine Tuttle
(74) *Attorney, Agent, or Firm*—GWiPS

(57) **CLAIM**

The ornamental design for the snap-in golf tee, as shown and described an upper unit, a base unit and a connecting strap, the upper unit forming a dish-shaped seat at its top, a round stem at middle and a rod stub at bottom, the base unit forming dish-shaped seat at its top portion with a snap-in hole at its top center, round stem at middle, a skirt-shaped flange and a long pin with a sharp nose and the connecting strap connecting the upper unit to the base unit.

DESCRIPTION

FIG. 1 is a perspective view showing my new design for a golf tee.

FIG. 2 is a perspective view showing the design in an alternative position.

FIG. 3 is a front view of the position shown in FIG. 1.

FIG. 4 is a rear view thereof.

FIG. 5 is a left side view thereof.

FIG. 6 is a right side view thereof.

FIG. 7 is a top plan view thereof.

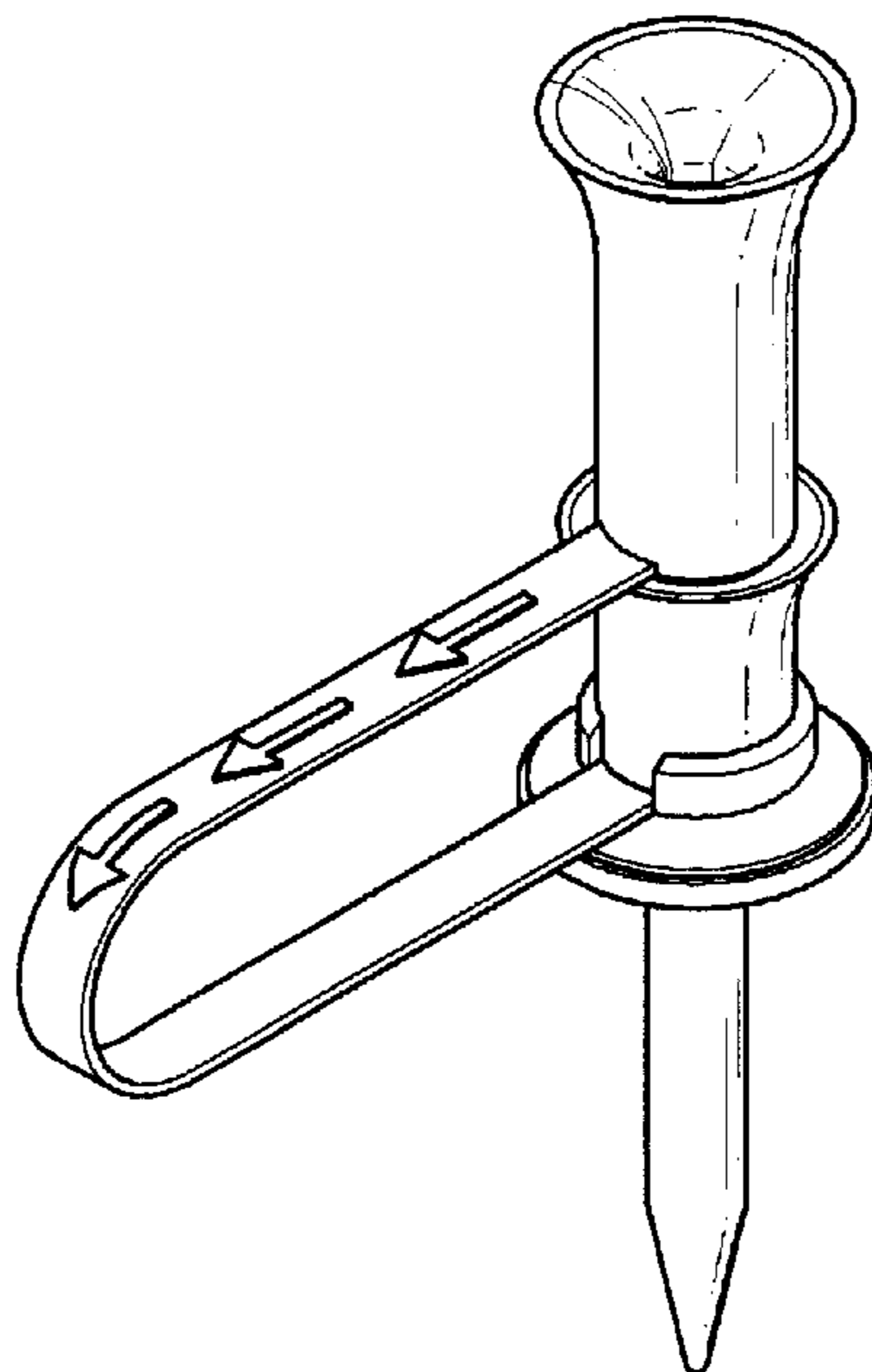
FIG. 8 is a bottom plan view thereof.

FIG. 9 is a reduced scale front view showing the design in its use environment; and,

FIG. 10 is a reduced scale front view showing the design in an alternative use position in its environment.

The portions shown in broken lines are for illustrative purposes only and form no part of the claimed design.

1 Claim, 5 Drawing Sheets



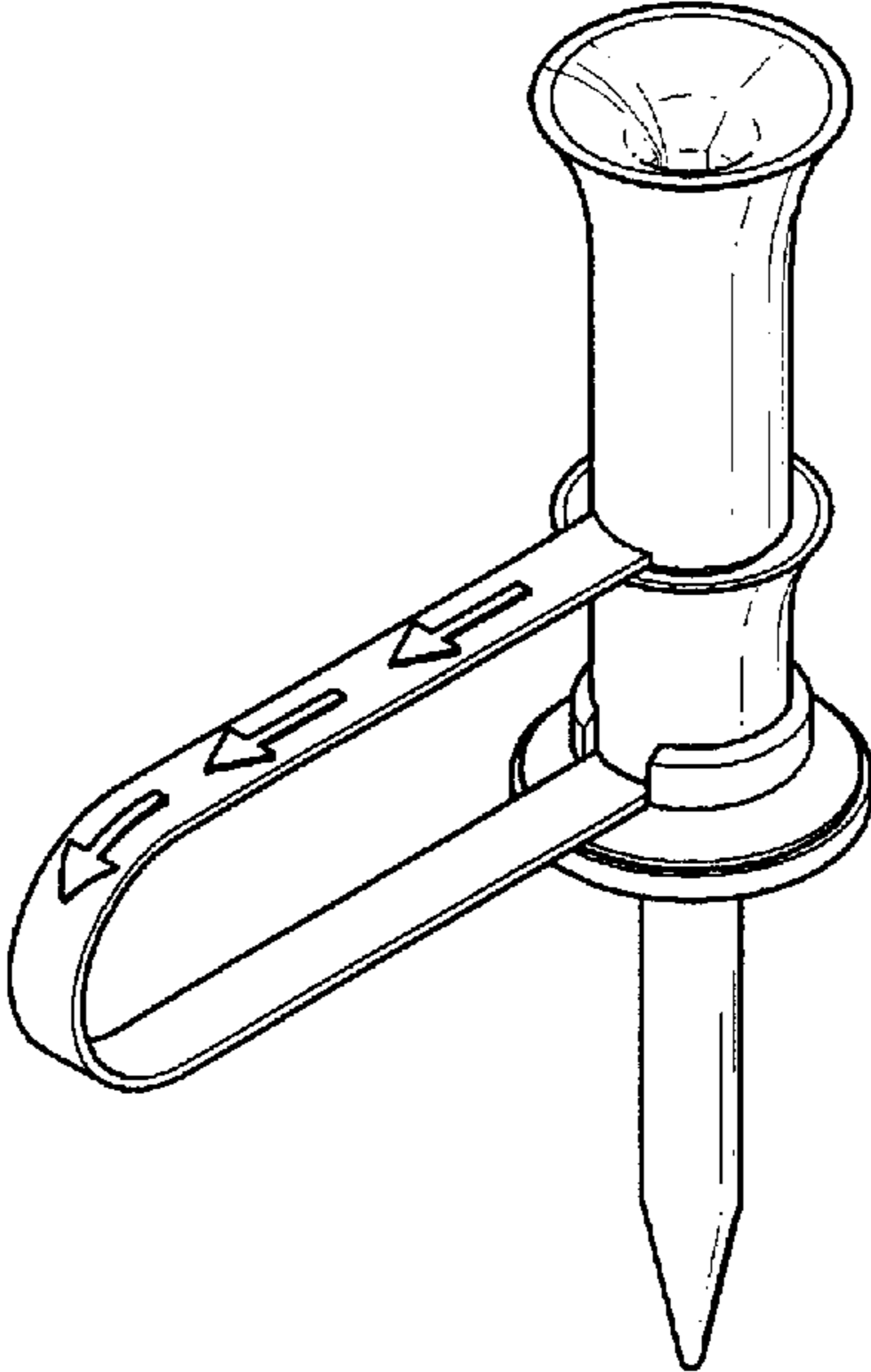


Fig. 1

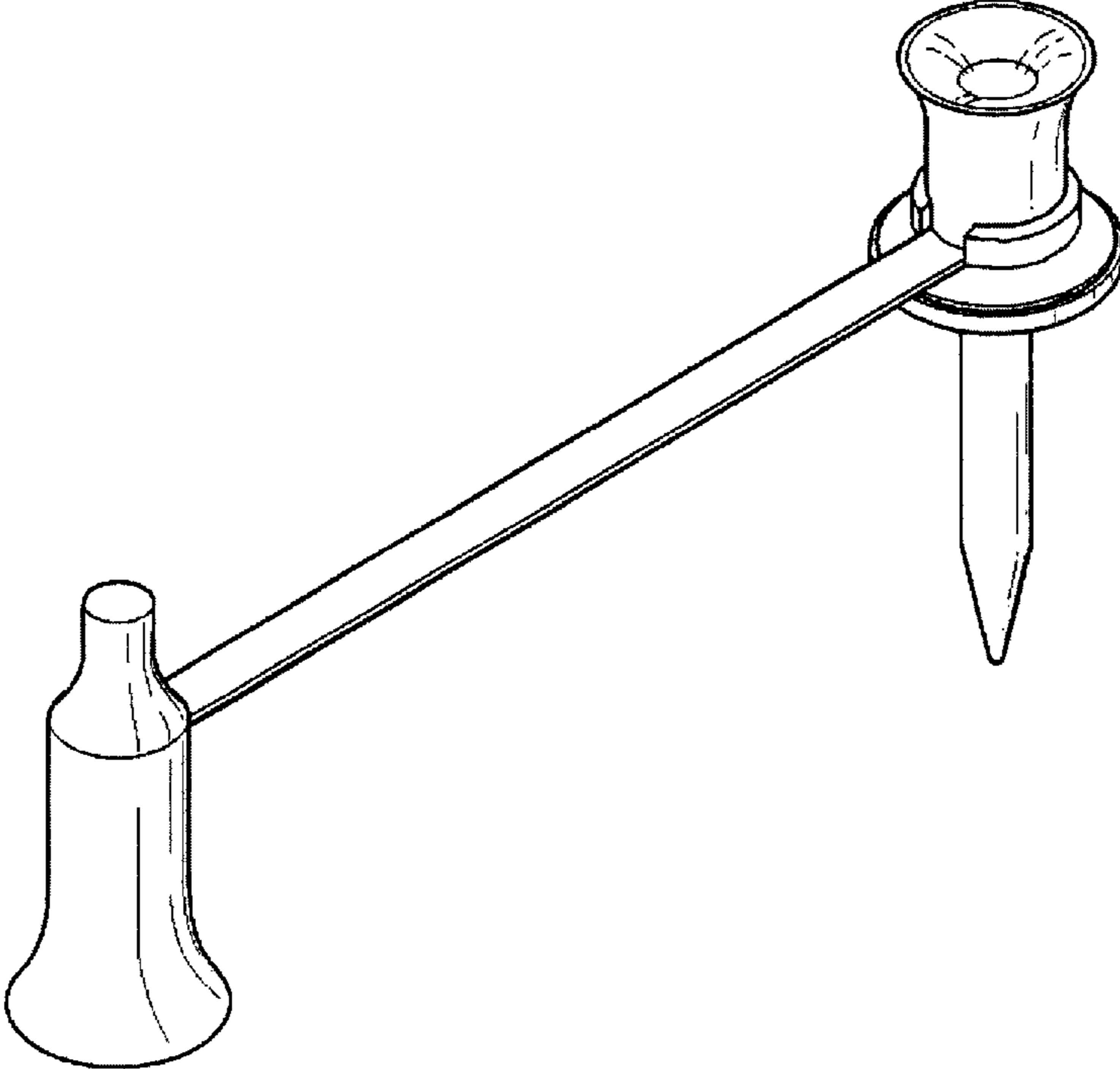


Fig. 2

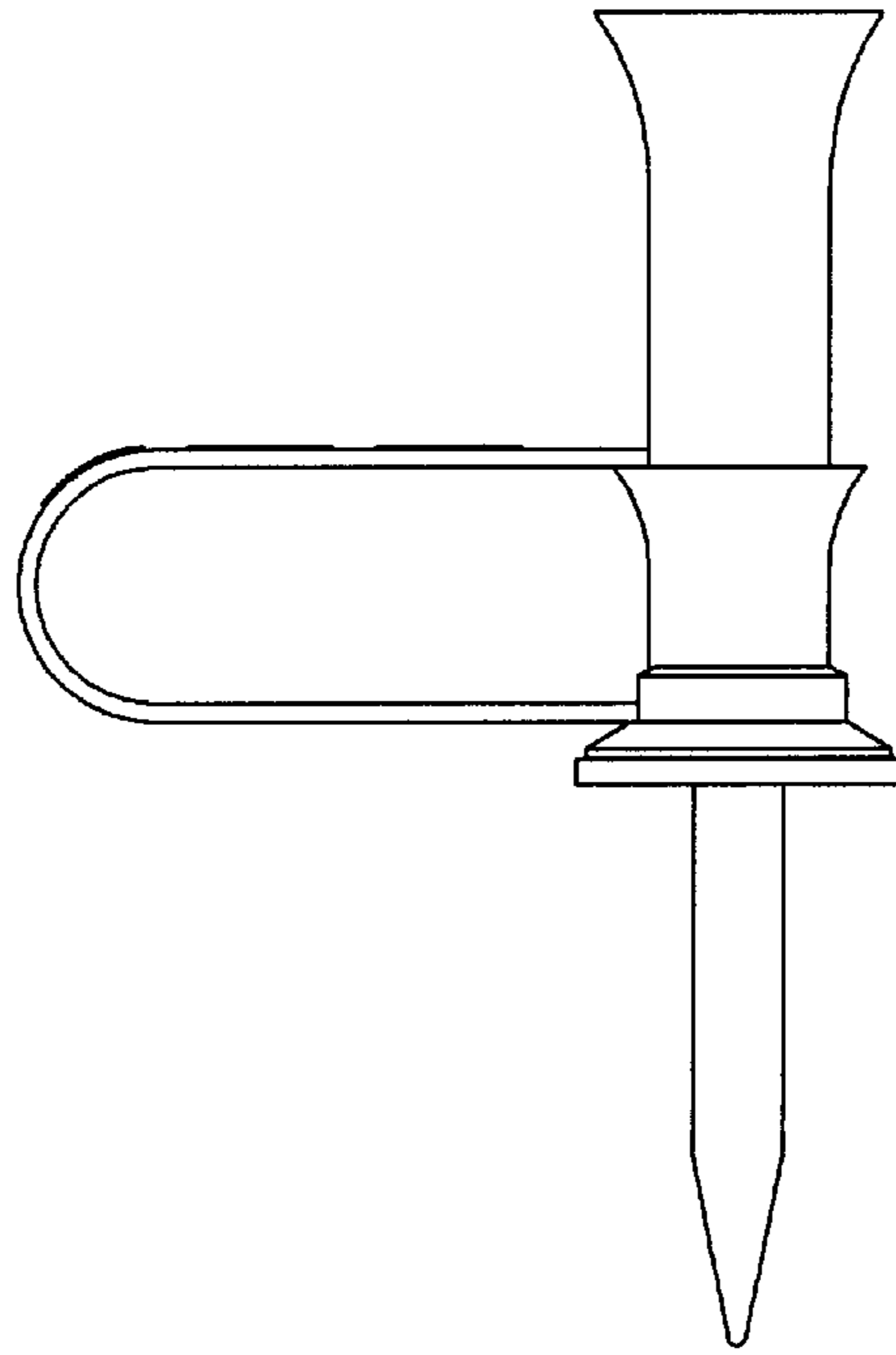


Fig. 3

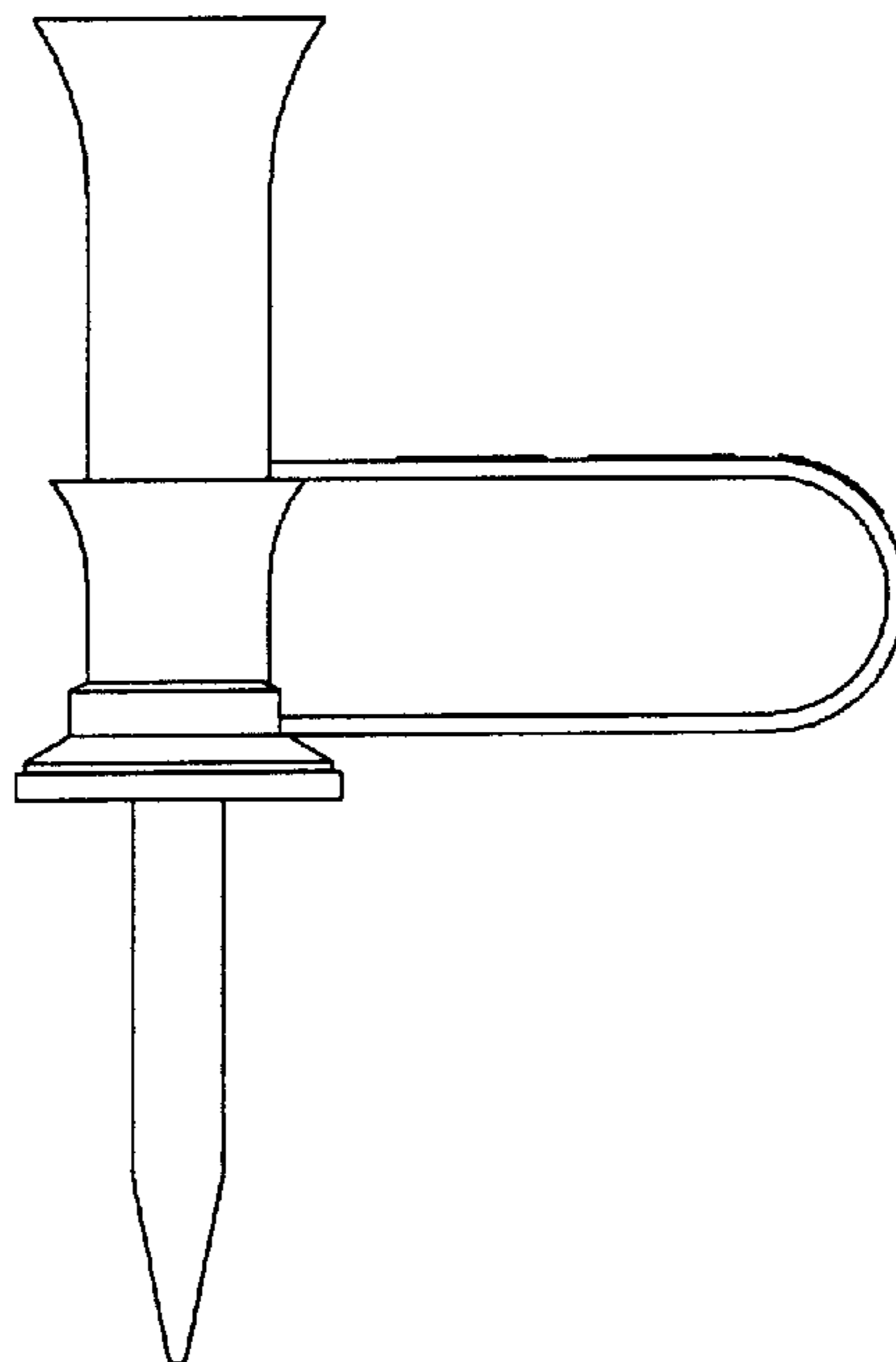


Fig. 4

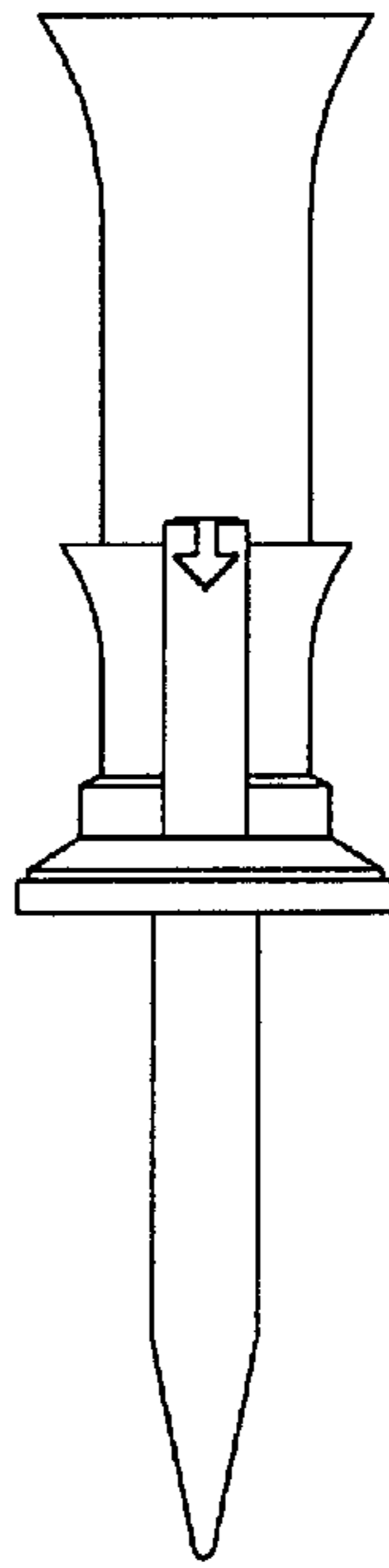


Fig. 5

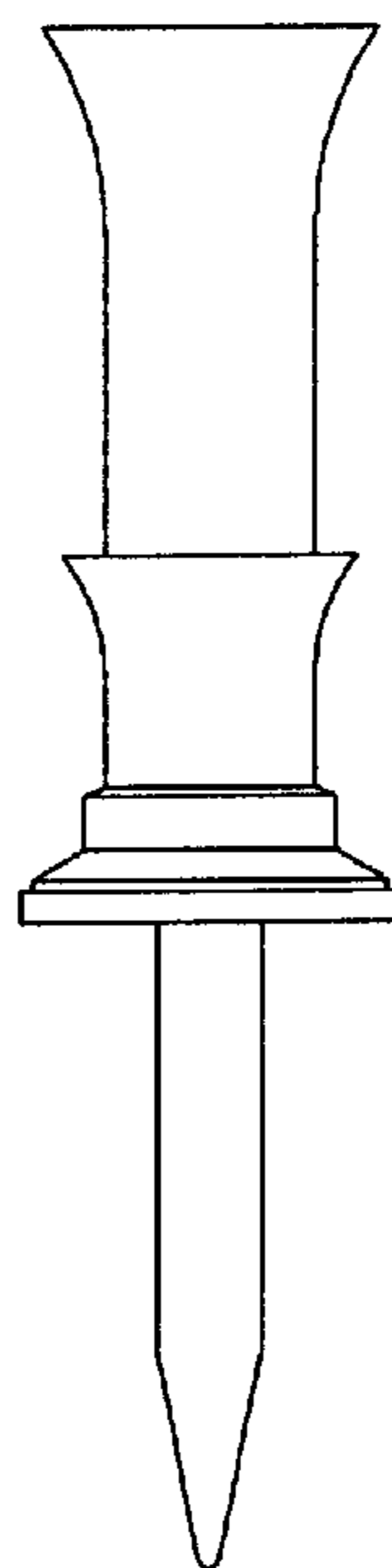


Fig. 6

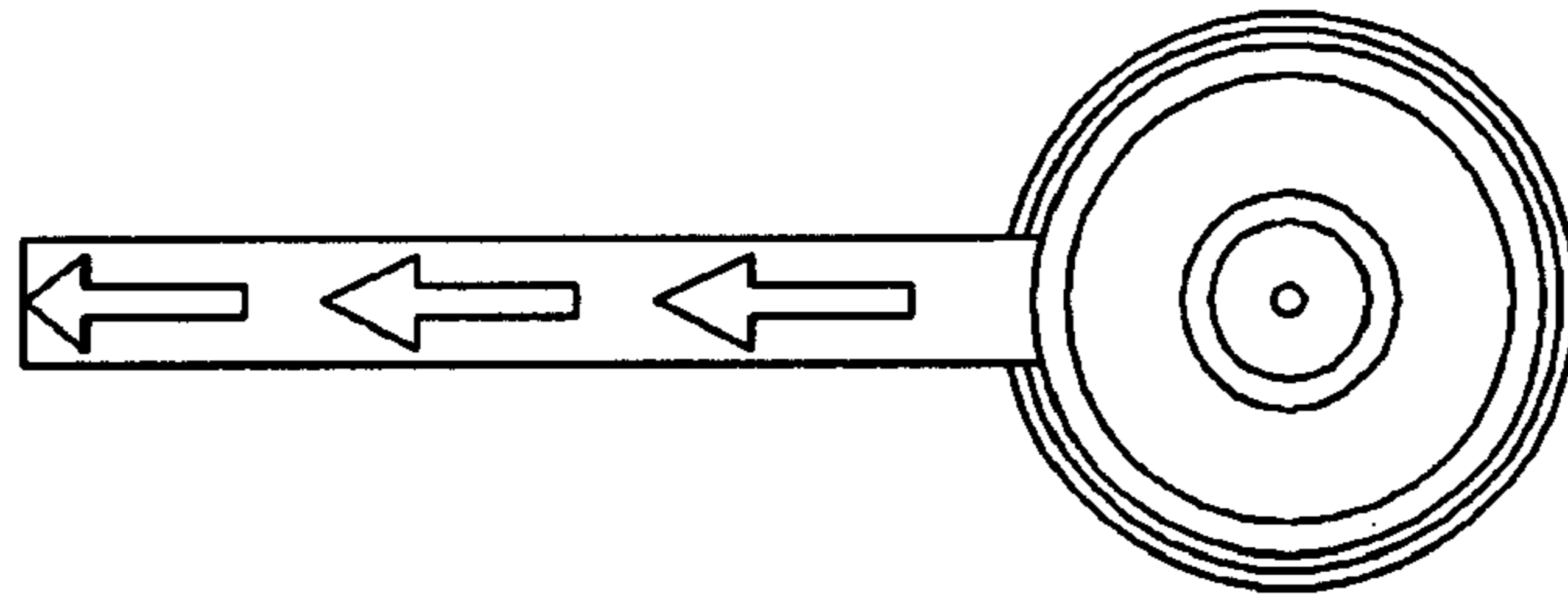


Fig. 7

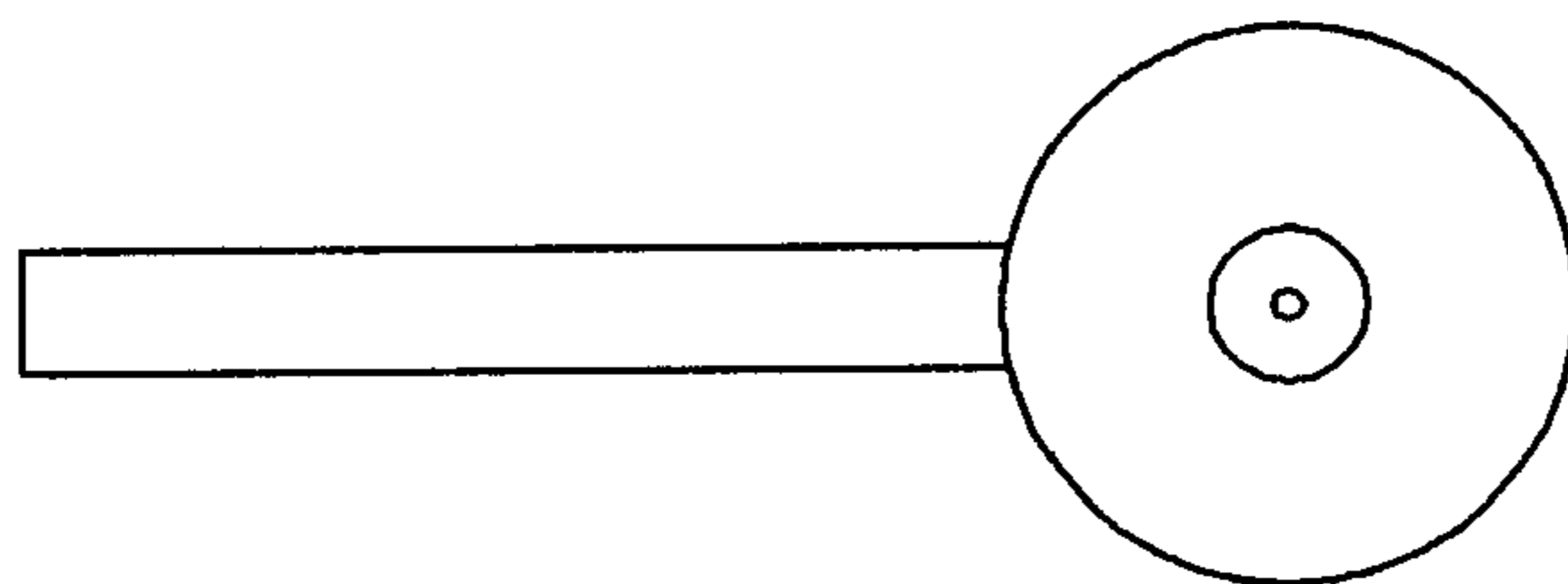


Fig. 8

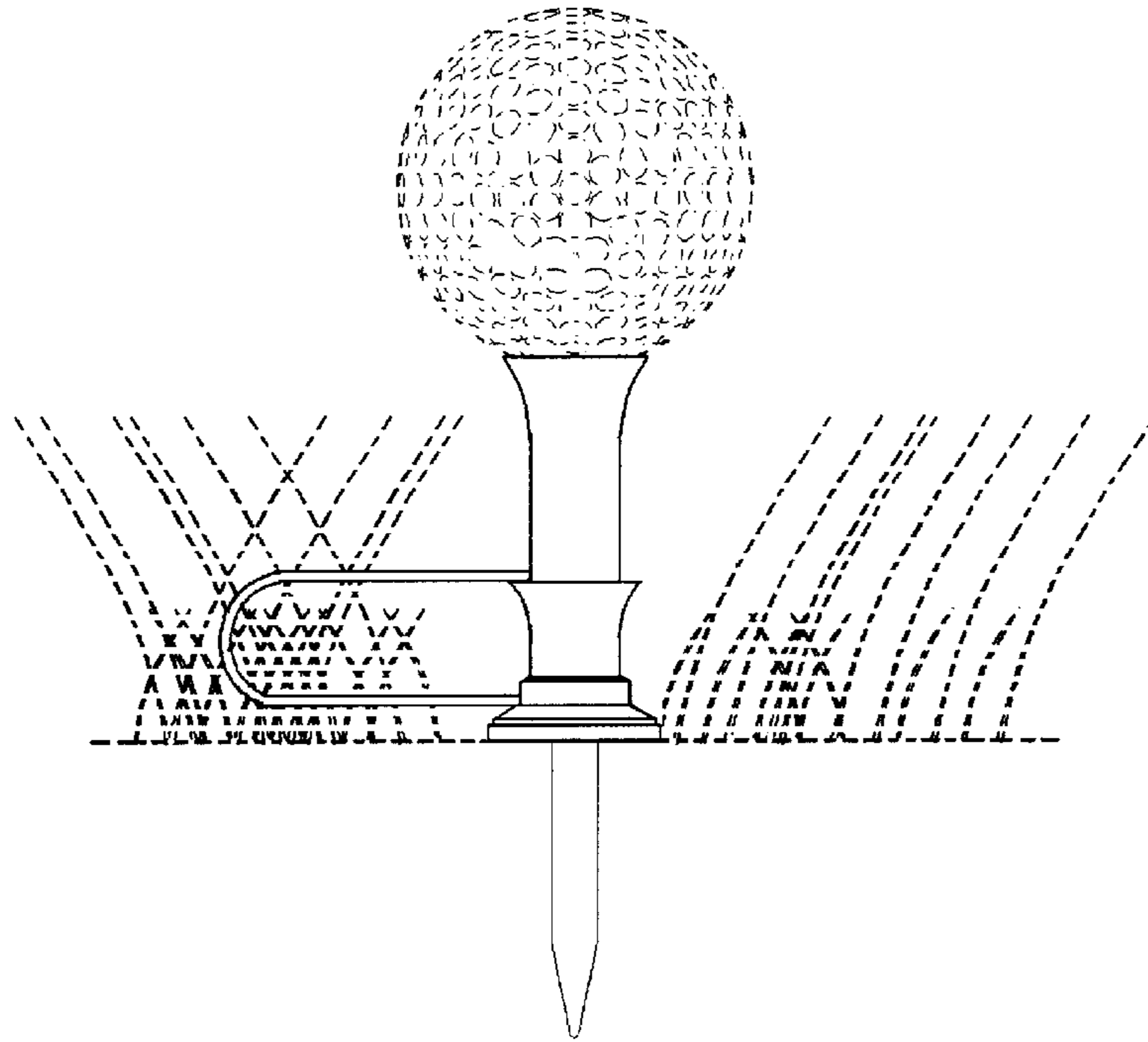


Fig. 9

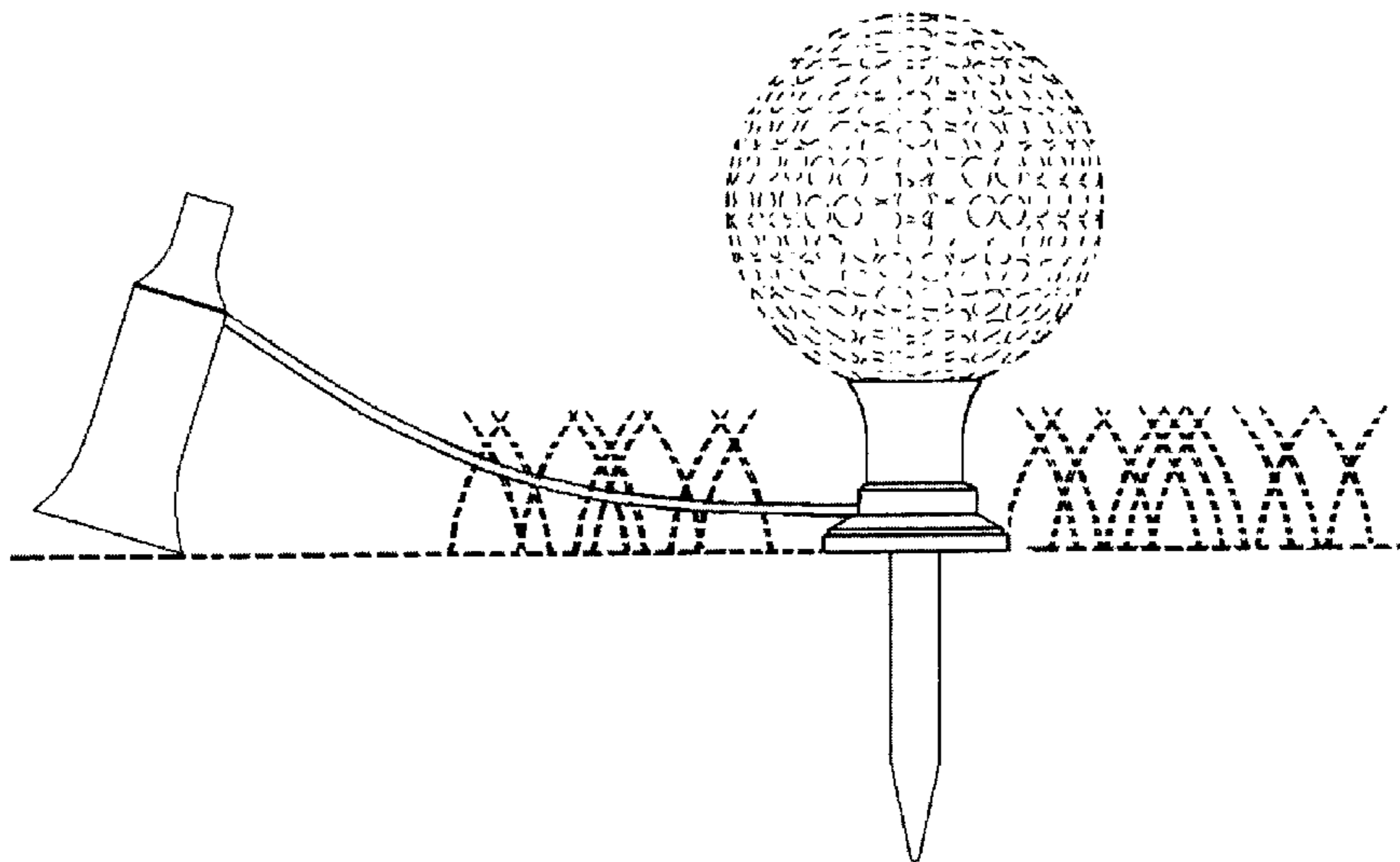


Fig. 10