



US00D539365S

(12) **United States Design Patent**
Weiser

(10) **Patent No.:** **US D539,365 S**

(45) **Date of Patent:** **** Mar. 27, 2007**

(54) **WHIMSICAL PIGLET NOVELTY**

(75) Inventor: **Margaret Weiser**, Tarzana, CA (US)

(73) Assignee: **Exhart Environmental Systems, Inc.**,
Chatsworth, CA (US)

(**) Term: **14 Years**

(21) Appl. No.: **29/240,918**

(22) Filed: **Oct. 20, 2005**

(51) **LOC (8) Cl.** **21-01**

(52) **U.S. Cl.** **D21/654; D11/158**

(58) **Field of Classification Search** D11/127,
D11/141, 157-164; D21/455, 458, 576-661;
D10/54, 59; 428/12, 16, 542.2, 542.4; 446/201,
446/217, 218, 233, 234-236, 268-395; 40/411-413,
40/417-420; 70/170.05, 170.07
See application file for complete search history.

(56) **References Cited**

U.S. PATENT DOCUMENTS

854,190	A	*	5/1907	Wiedemann	40/477
1,263,838	A		4/1918	Barber		
1,377,544	A		5/1921	Angell		
1,538,562	A		5/1925	Koshalko		
D86,875	S		5/1932	Abel		
1,910,923	A		5/1933	Kerr		
D176,104	S	*	11/1955	Brooks	D99/40
2,817,925	A		12/1957	Kelley		
3,190,035	A		6/1965	Armstrong		
D241,461	S		9/1976	Lambert		
D244,768	S	*	6/1977	Lacativo	D11/149
D257,364	S		10/1980	Molenaar		
4,582,497	A		4/1986	Lyons		

D302,942	S	*	8/1989	Ferrero	D9/607
D303,035	S	*	8/1989	O'Dunlaing	D99/40
5,469,738	A		11/1995	Hendrickson		
D382,029	S		8/1997	HongCheng		
D385,599	S	*	10/1997	Stephensen et al.	D21/654
5,971,828	A		10/1999	Lin		
D436,889	S	*	1/2001	Sheridan	D11/158
6,206,747	B1		3/2001	Skwarek		
6,360,474	B1		3/2002	Wrulitzer		
6,364,732	B1		4/2002	Wu		
6,422,913	B1		7/2002	Trejo		
6,475,056	B1		11/2002	Christianson		
D467,982	S		12/2002	Watson		
6,773,331	B1	*	8/2004	Weiser	446/491
D506,951	S	*	7/2005	Weiser	D11/158

* cited by examiner

Primary Examiner—Catherine Tuttle
(74) *Attorney, Agent, or Firm*—Cislo & Thomas, LLP

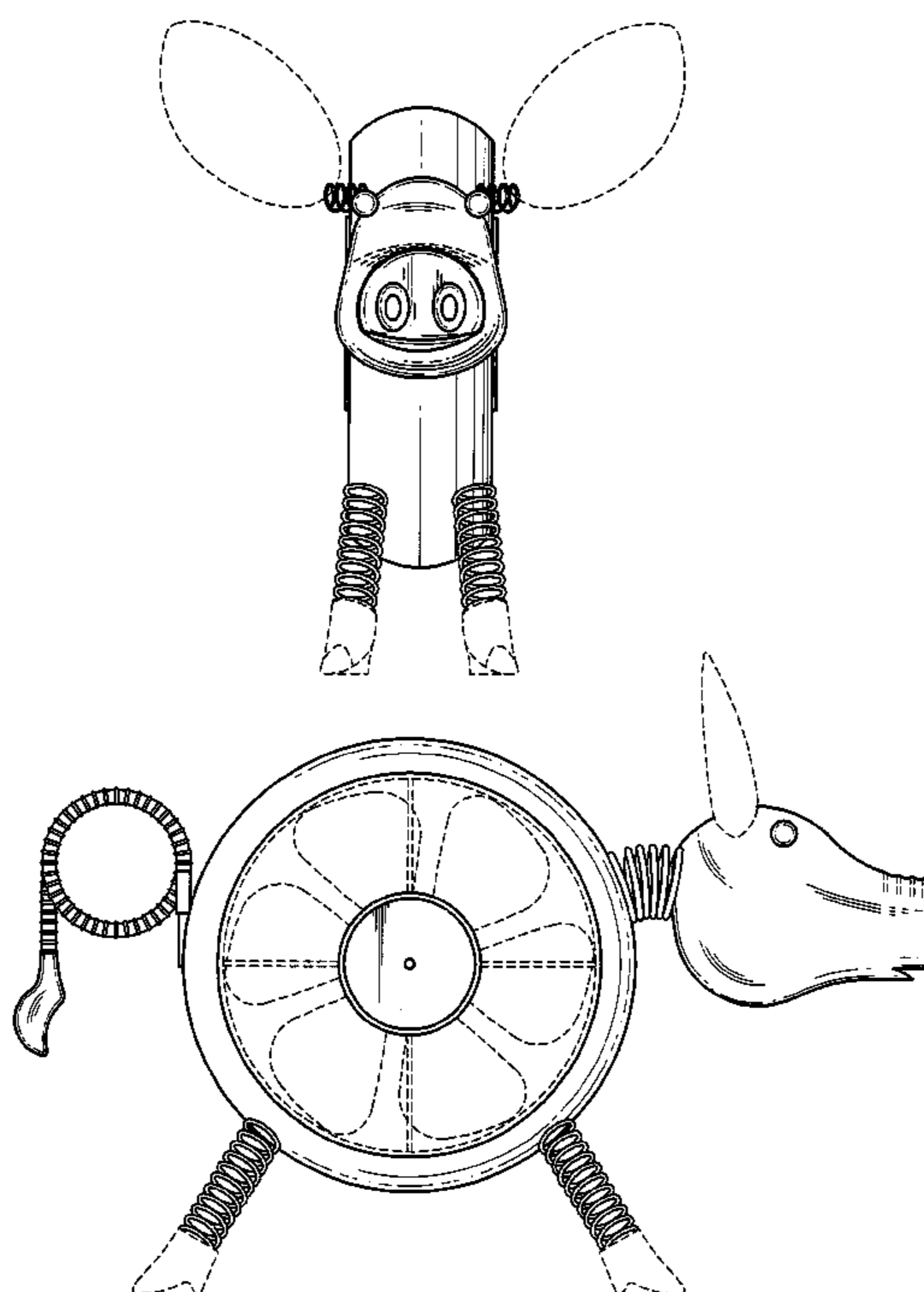
(57) **CLAIM**

I claim the ornamental design for a whimsical piglet novelty, as shown and described.

DESCRIPTION

FIG. 1 is a front elevational view of my whimsical piglet novelty;
FIG. 2 is a rear view thereof;
FIG. 3 is a left side view thereof;
FIG. 4 is a right side view thereof; and,
FIG. 5 is a top plan view thereof.
The broken lines that are included in the Drawing are for the purpose of illustrating portions of the whimsical piglet novelty that form no part of the claimed design.

1 Claim, 5 Drawing Sheets



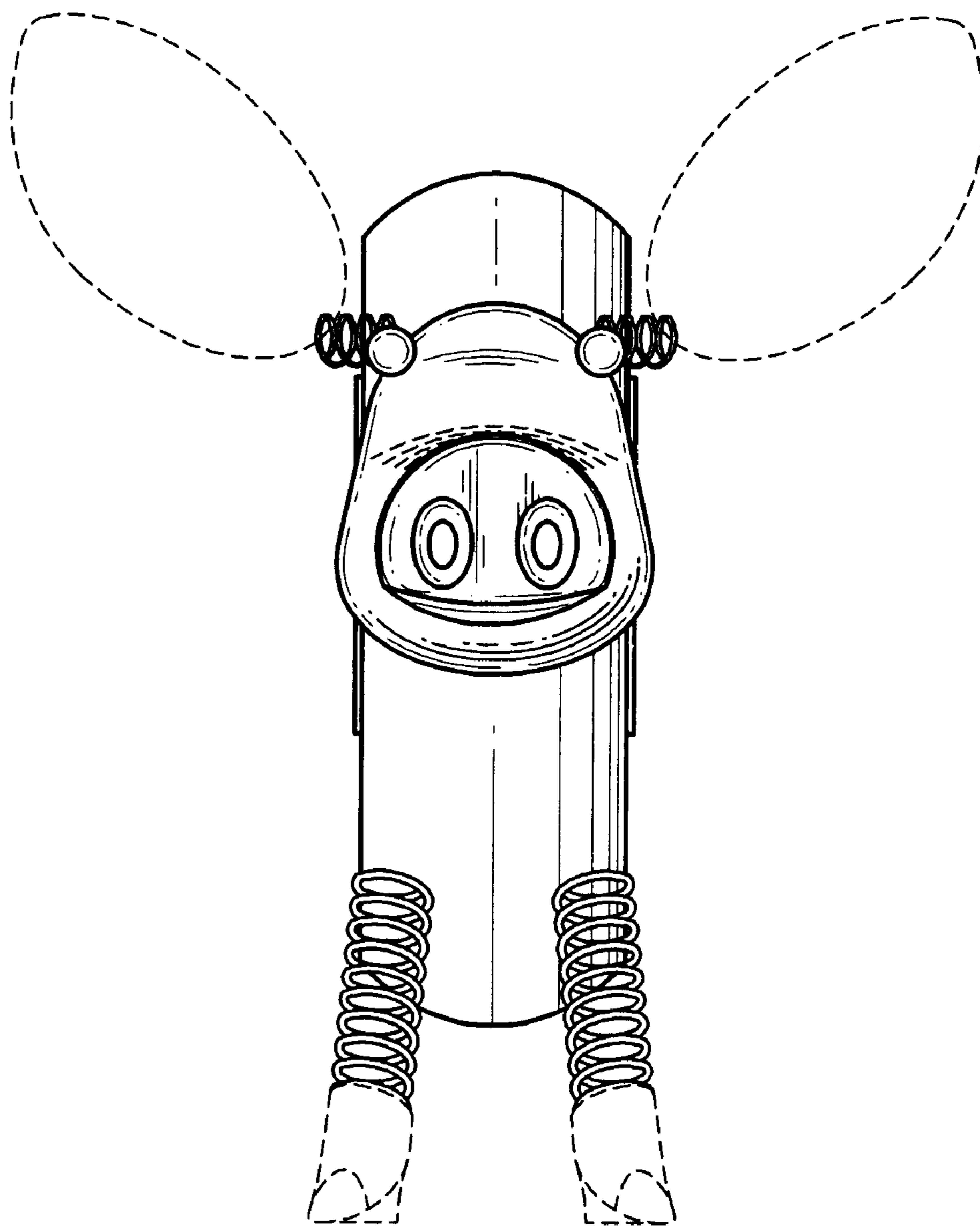


FIG. 1

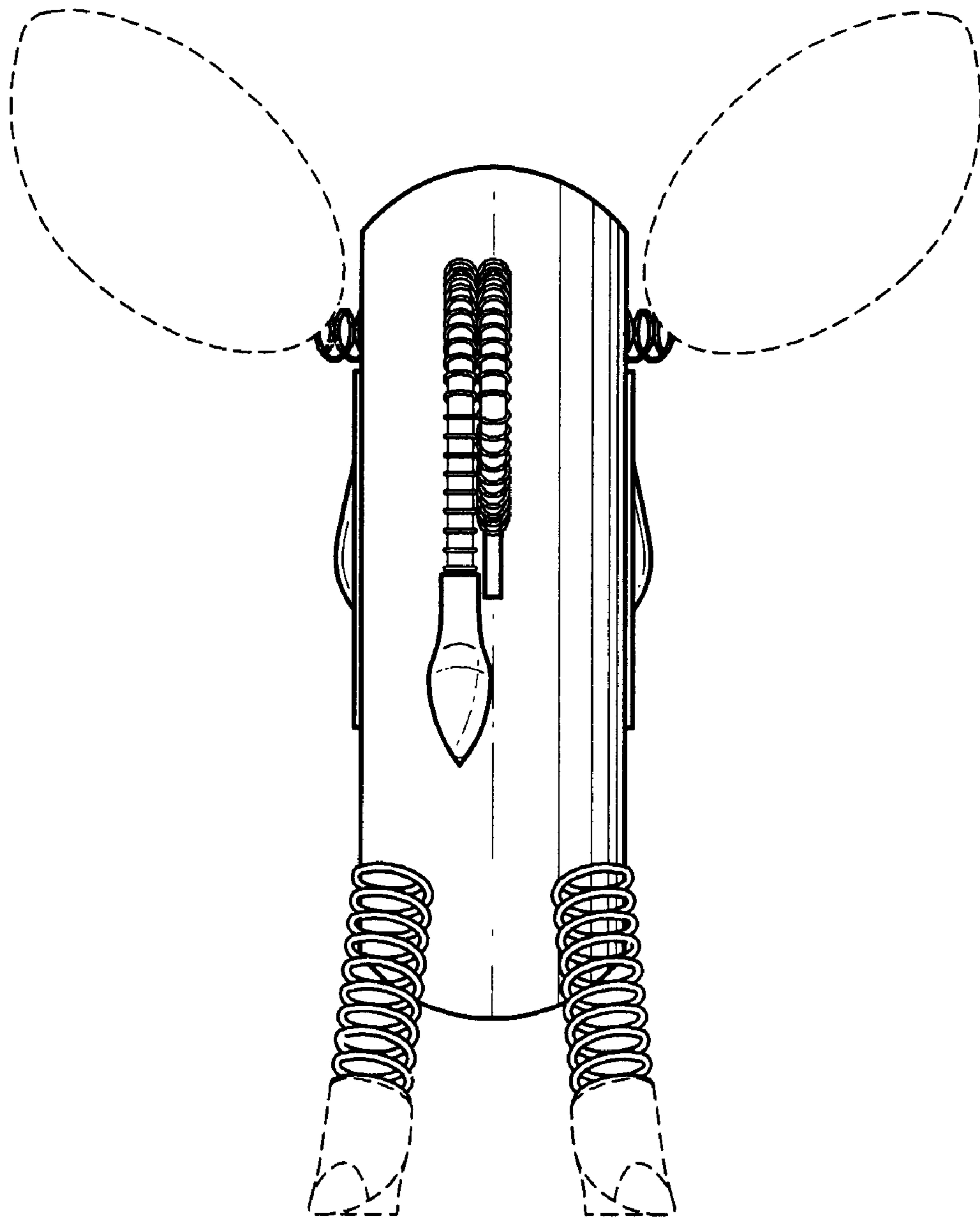


FIG. 2

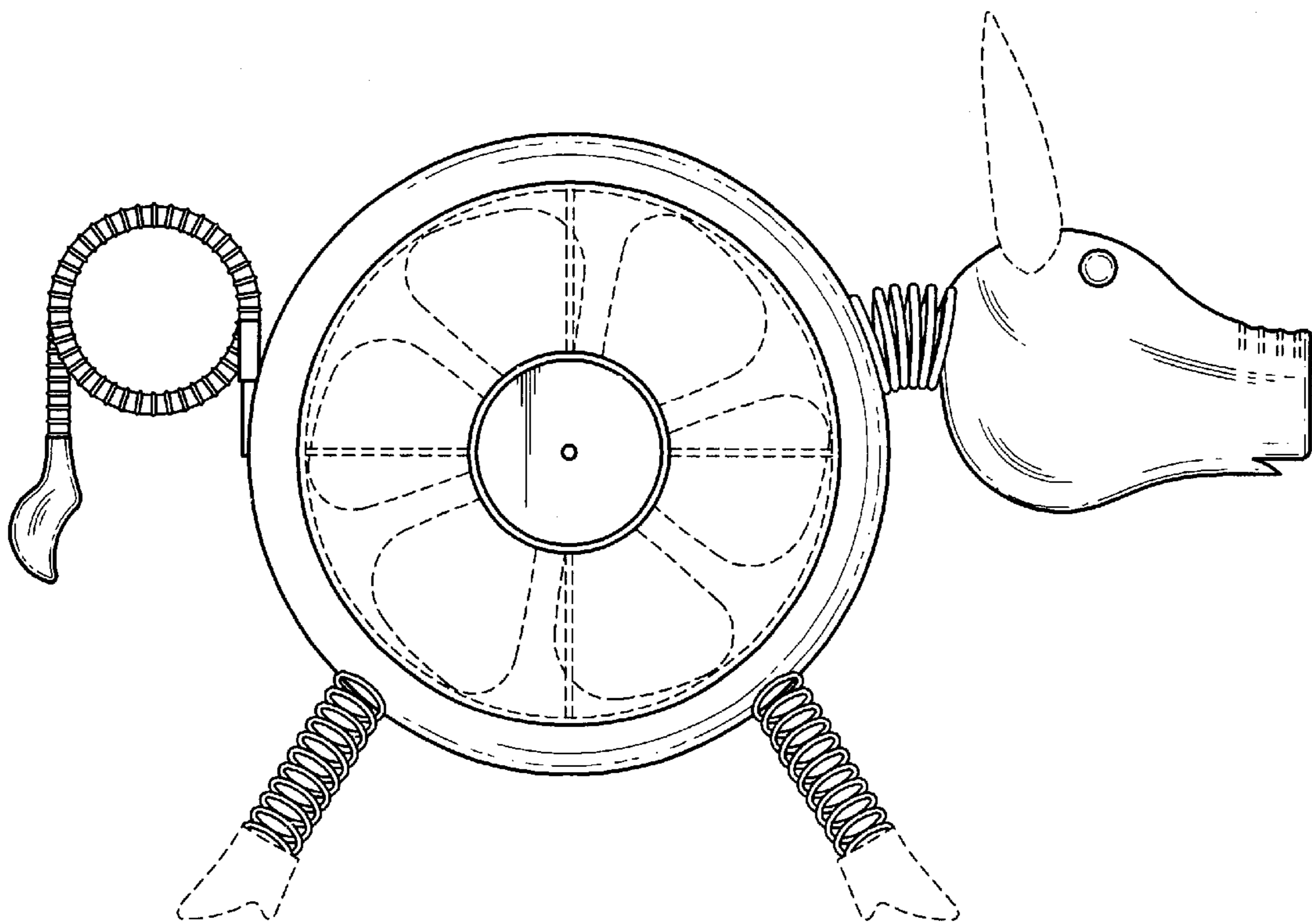


FIG. 3

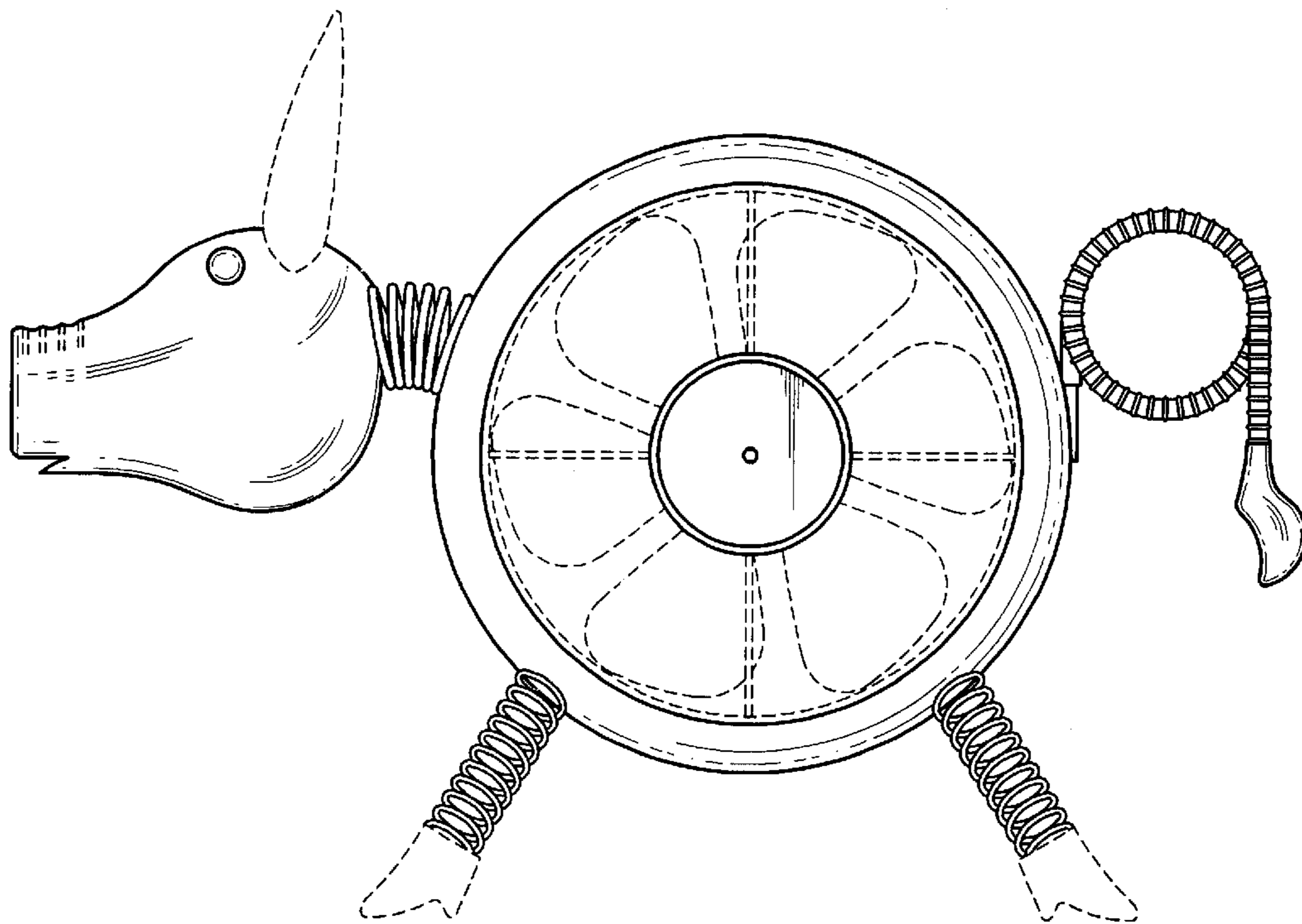


FIG. 4

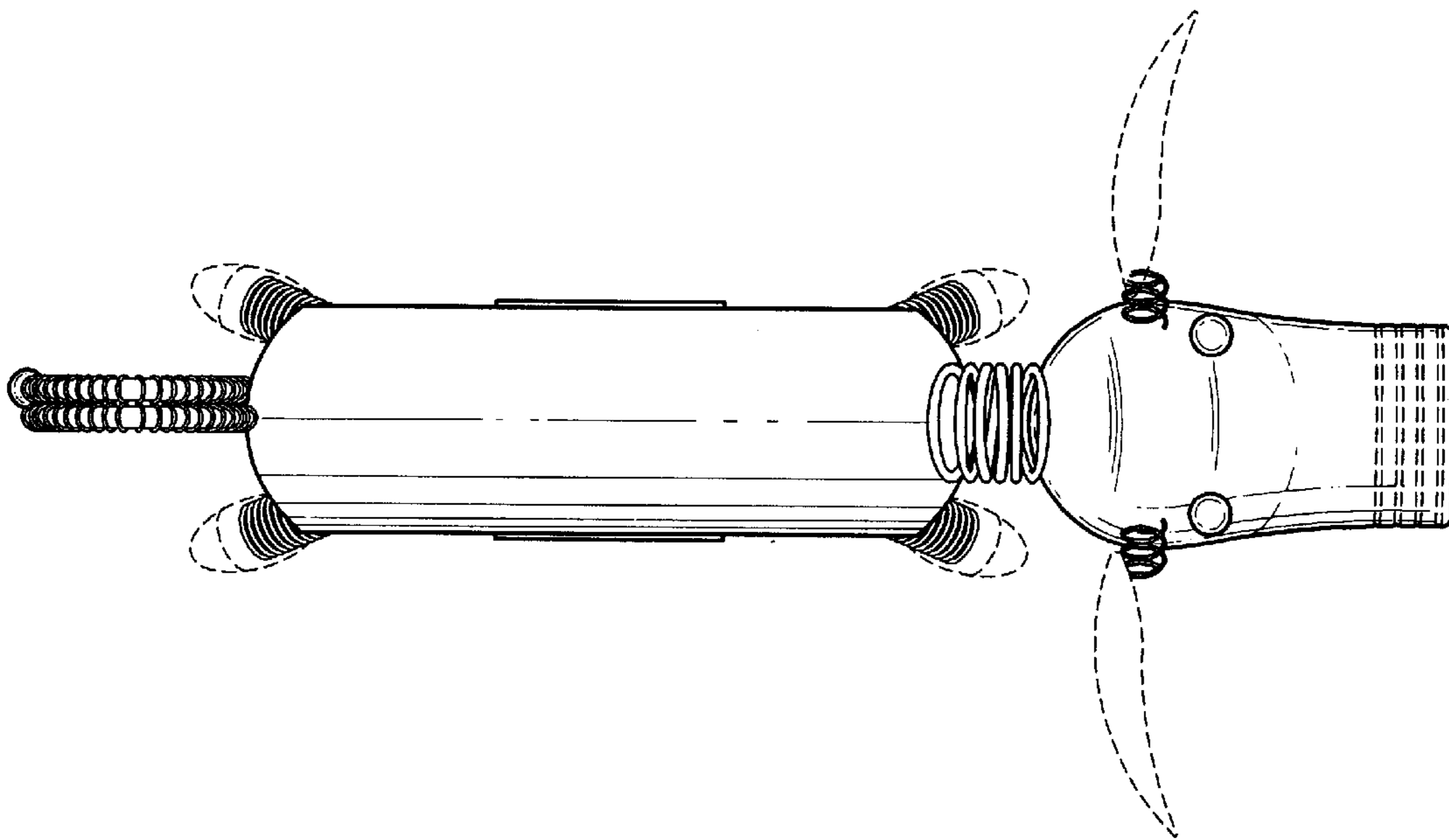


FIG. 5