



US00D539359S

(12) **United States Design Patent**  
**Rom**

(10) **Patent No.:** **US D539,359 S**

(45) **Date of Patent:** **\*\* Mar. 27, 2007**

(54) **PUZZLE**

(75) Inventor: **Dror Rom**, Huntingdon Valley, PA (US)

(73) Assignee: **Elogio, Inc.**, King of Prussia, PA (US)

(\*\*) Term: **14 Years**

(21) Appl. No.: **29/252,515**

(22) Filed: **Jan. 23, 2006**

(51) **LOC (8) Cl.** ..... **21-01**

(52) **U.S. Cl.** ..... **D21/478**

(58) **Field of Classification Search** ..... D21/312-397,  
D21/468, 470, 471, 478, 479, 484, 491, 499,  
D21/500, 501; D25/113, 118; 273/236-239,  
273/264, 267, 271, 272, 276, 282.1, 287,  
273/288, 290, 291, 292, 293, 148 R, 309,  
273/153 R-153 J; 446/117, 118, 124, 125  
See application file for complete search history.

(56) **References Cited**

**U.S. PATENT DOCUMENTS**

537,168	A	*	4/1895	Ormsby	.....	273/153 R
2,101,019	A	*	12/1937	Bowes	.....	249/18
2,151,066	A	*	3/1939	Hutchison	.....	434/403
2,757,934	A	*	8/1956	Dunbar	.....	273/272
3,382,632	A	*	5/1968	Grofcsik	.....	52/223.7
4,244,581	A	*	1/1981	Imatt	.....	273/282.3
4,254,957	A	*	3/1981	Kramer	.....	273/271
4,474,371	A	*	10/1984	Silbermintz	.....	273/153 S
D286,707	S	*	11/1986	Summers	.....	D6/301
4,819,945	A	*	4/1989	Porcheddu	.....	273/272
4,872,682	A	*	10/1989	Kuchimanchi et al.	..	273/153 S
7,114,829	B2	*	10/2006	Lai	.....	362/231
2002/0113370	A1	*	8/2002	Pickering et al.	.....	273/271
2006/0087075	A1	*	4/2006	Marksberry	.....	273/146

\* cited by examiner

*Primary Examiner*—Catherine Tuttle

(74) *Attorney, Agent, or Firm*—Design IP

(57) **CLAIM**

The ornamental design for a puzzle, as shown and described.

**DESCRIPTION**

FIG. 1 is a perspective view showing the block component of my new design for a puzzle, comprising the combination of the block and associated tray;

FIG. 2 is front orthogonal view thereof, the rear, top, bottom, left side, and right side orthogonal views being identical thereto;

FIG. 3 is a perspective view of the tray component of the first embodiment of my new design;

FIG. 4 is a top orthogonal view thereof;

FIG. 5 is a front view thereof;

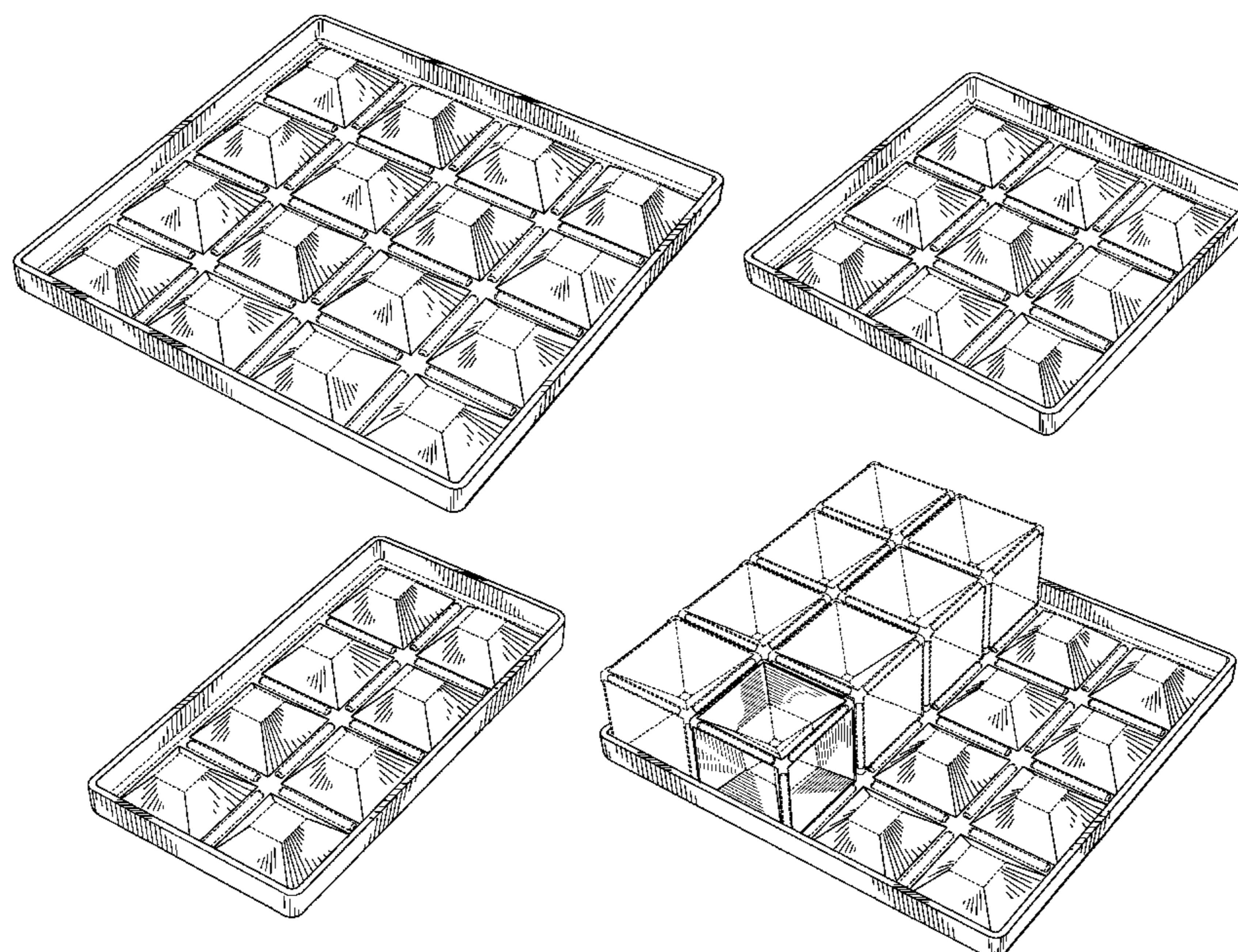
FIG. 6 is a perspective view of the tray component of a second embodiment of the design, which includes a three-by-three array of protrusions and is otherwise identical to the tray of the first embodiment;

FIG. 7 is a perspective view of the tray component of a third embodiment of the design, which includes a two-by-four array of protrusions and is otherwise identical to the tray of the first embodiment; and,

FIG. 8 shows a perspective view showing the components of the design in relation, along with additional blocks shown in broken lines.

The broken lines shown in FIGS. 1-8 are included for the purpose of illustrating environmental elements only and form no part of the claimed design. FIG. 8 is included to aid in an understanding of how the block and tray interlock and the relative sizes of the block and tray. The position of the block in relation to the tray does not form part of the claimed design. The claimed design consists of a puzzle comprising a block and any of the three embodiments of the tray.

**1 Claim, 7 Drawing Sheets**



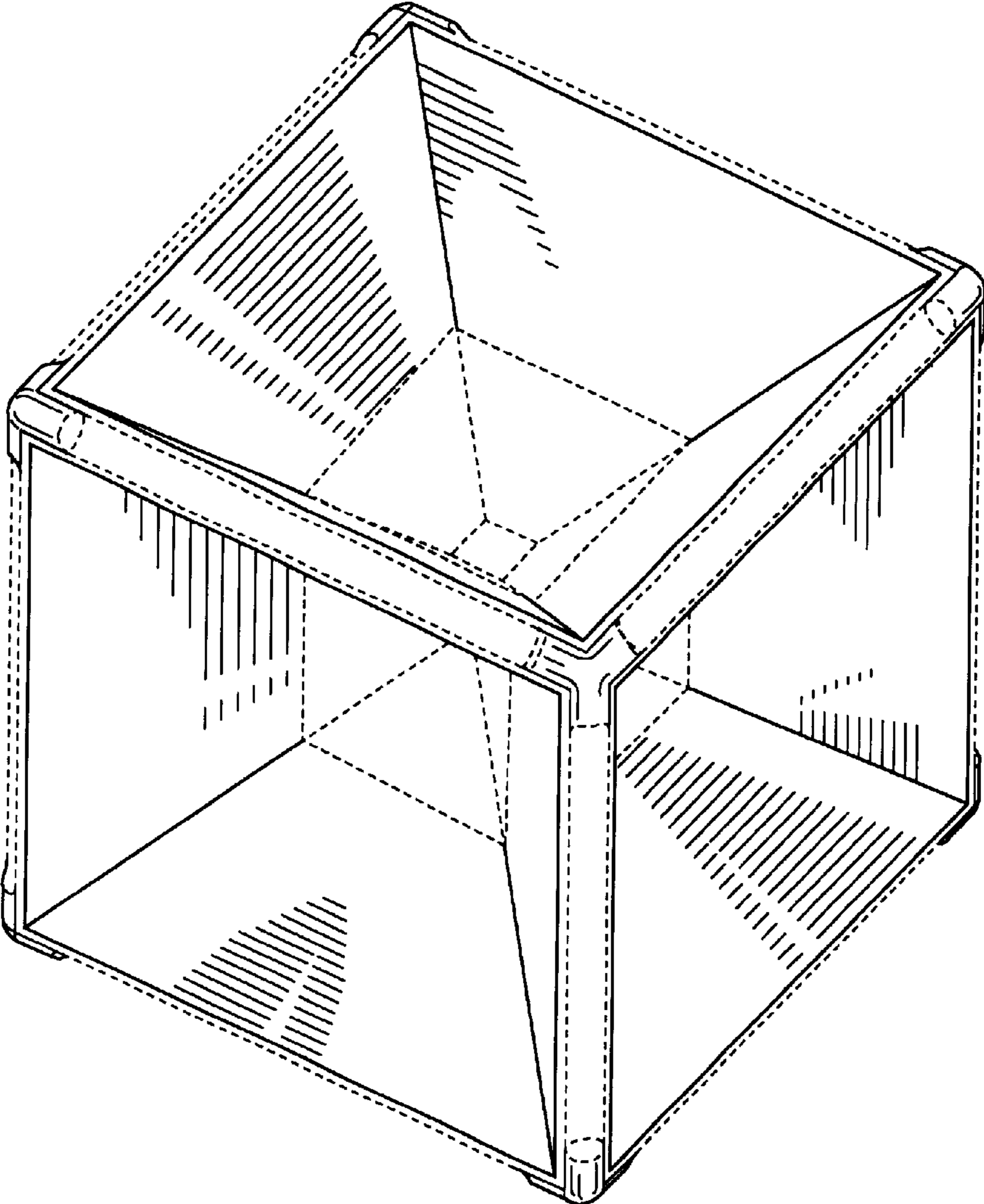


Fig. 1

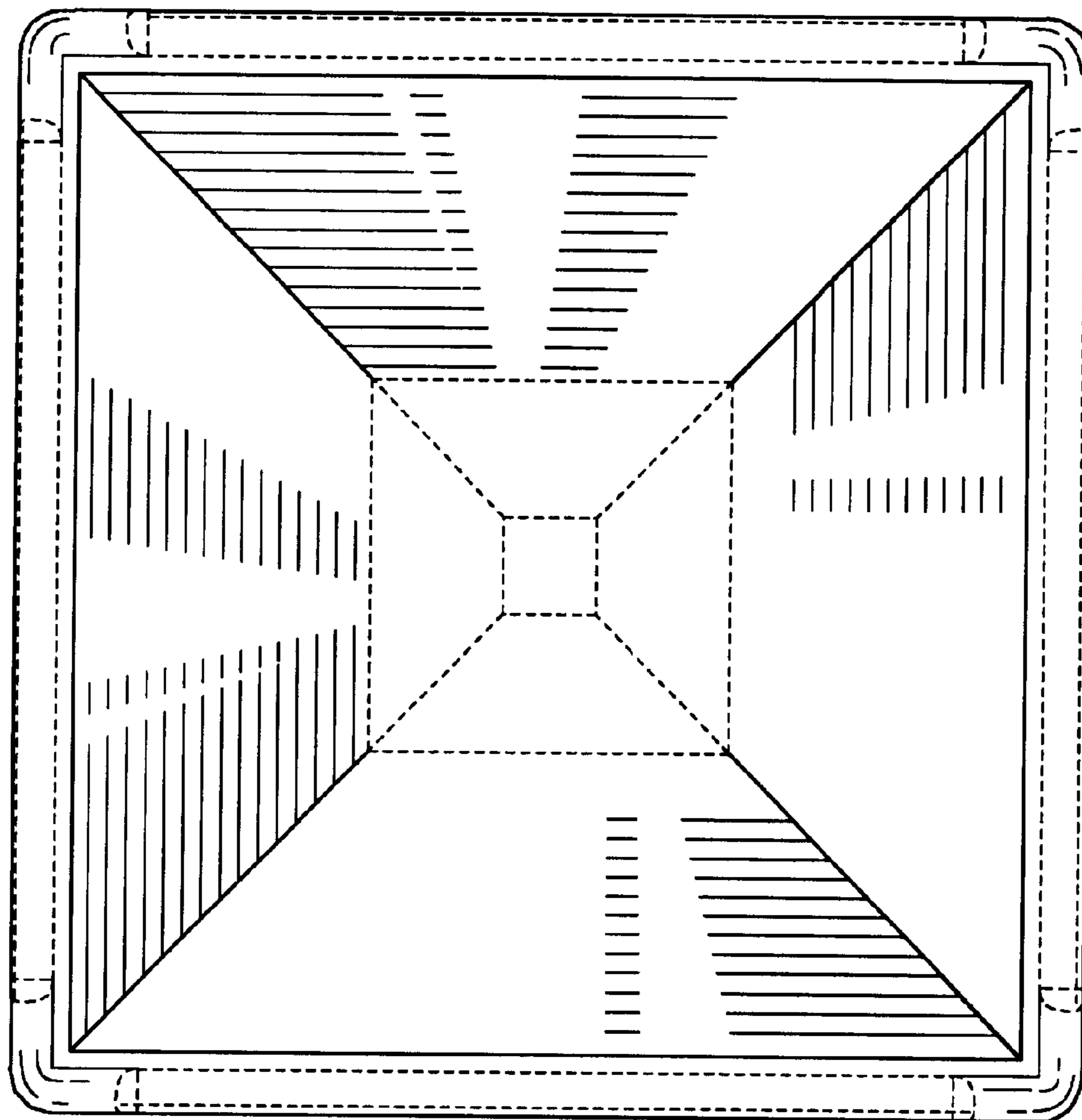


Fig. 2

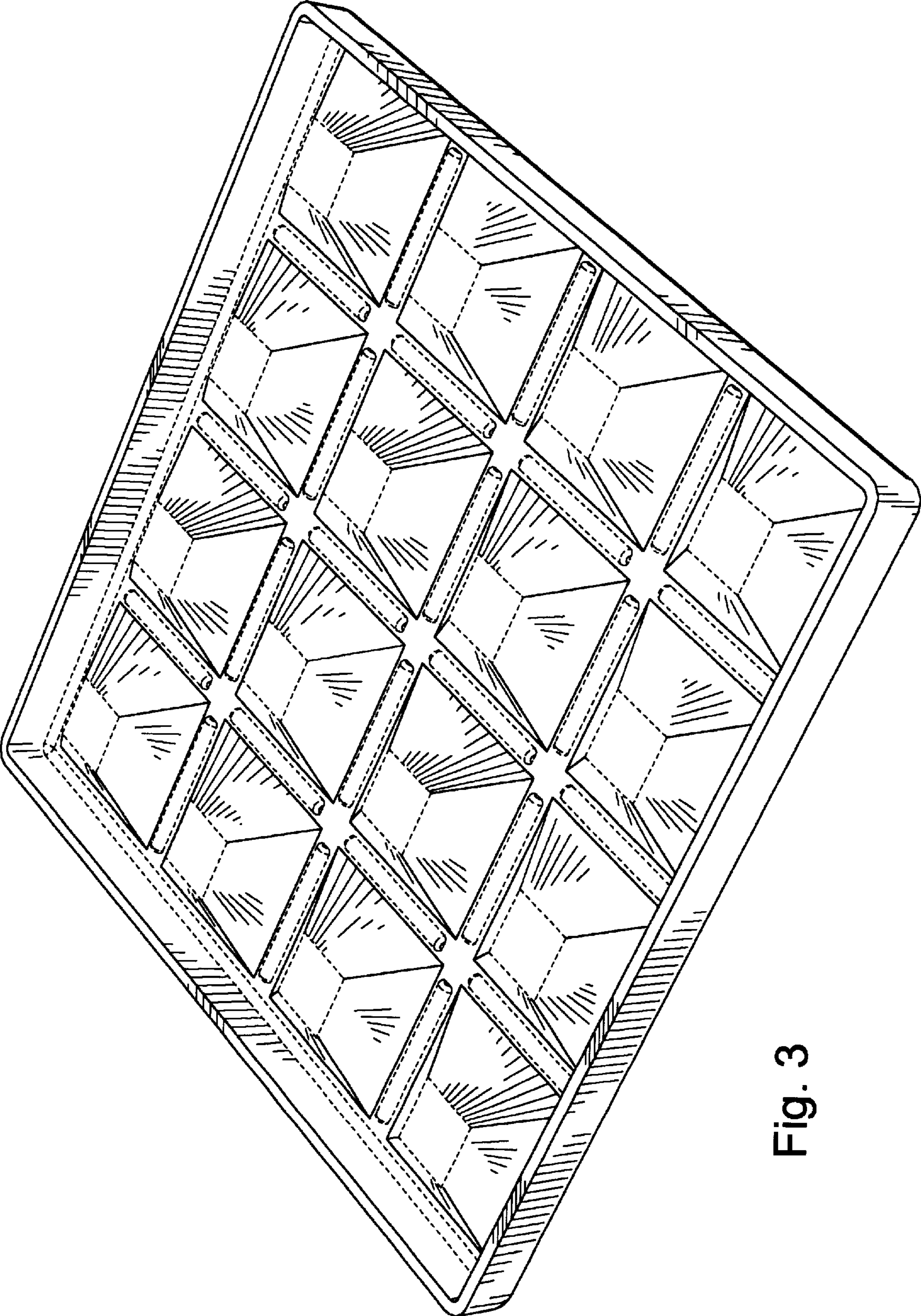


Fig. 3

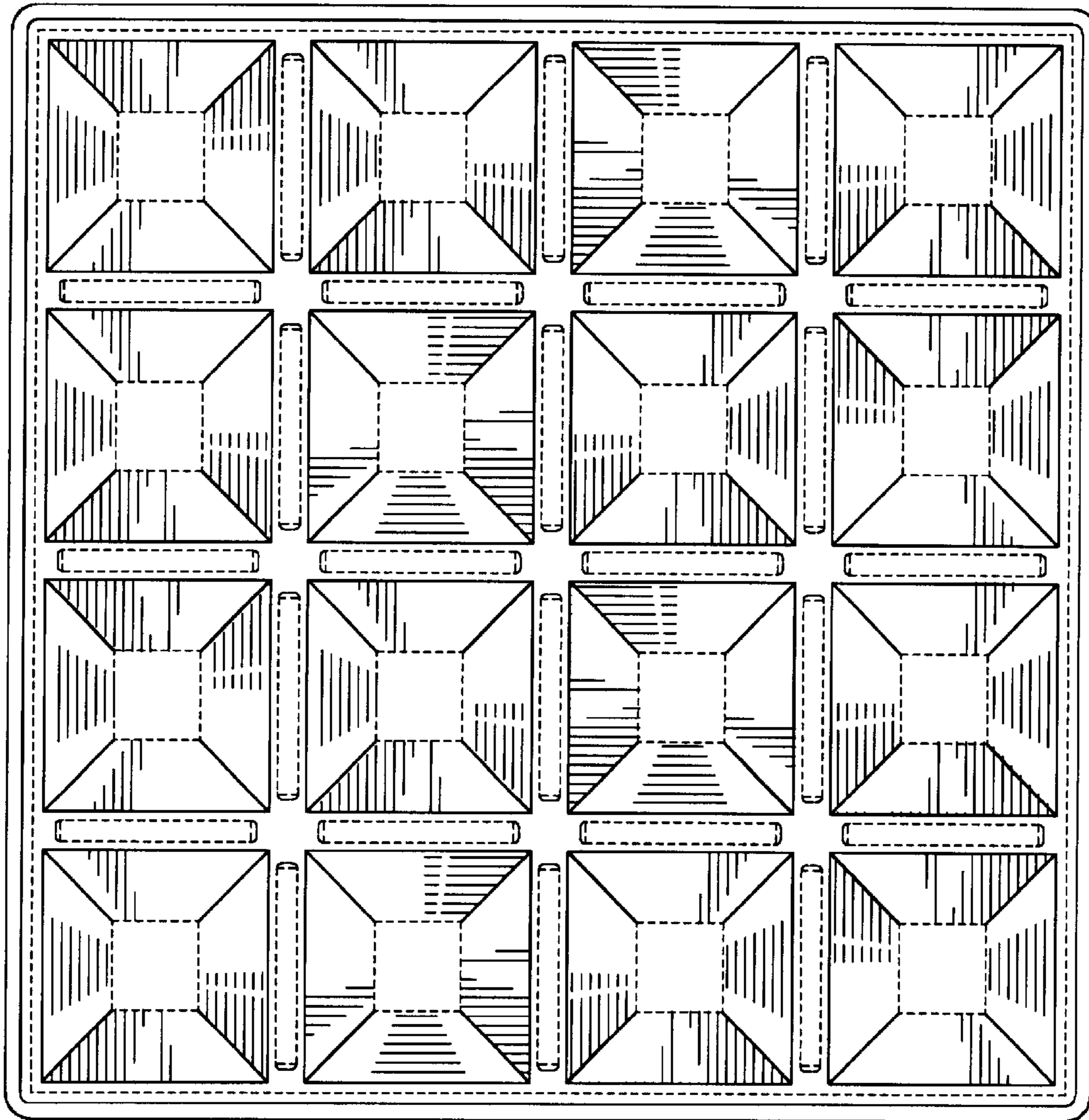


Fig. 4

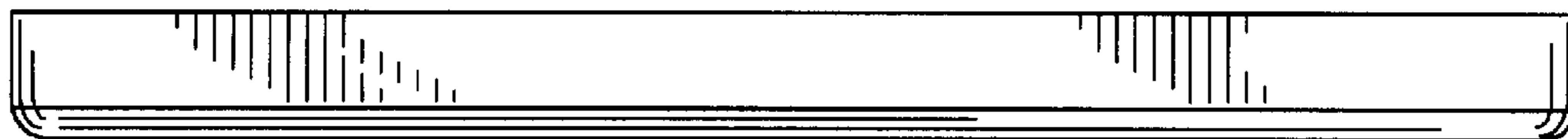


Fig. 5

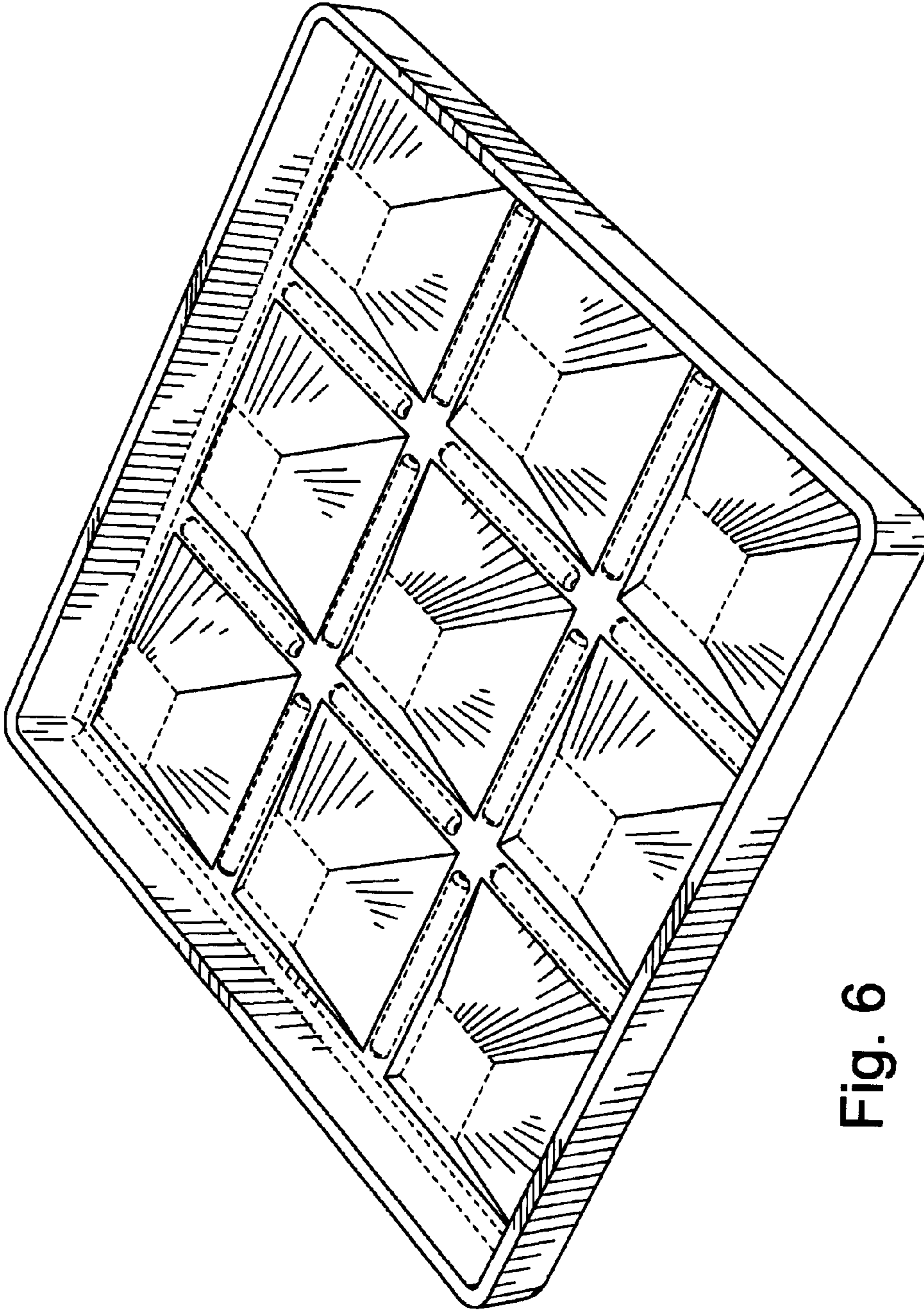


Fig. 6

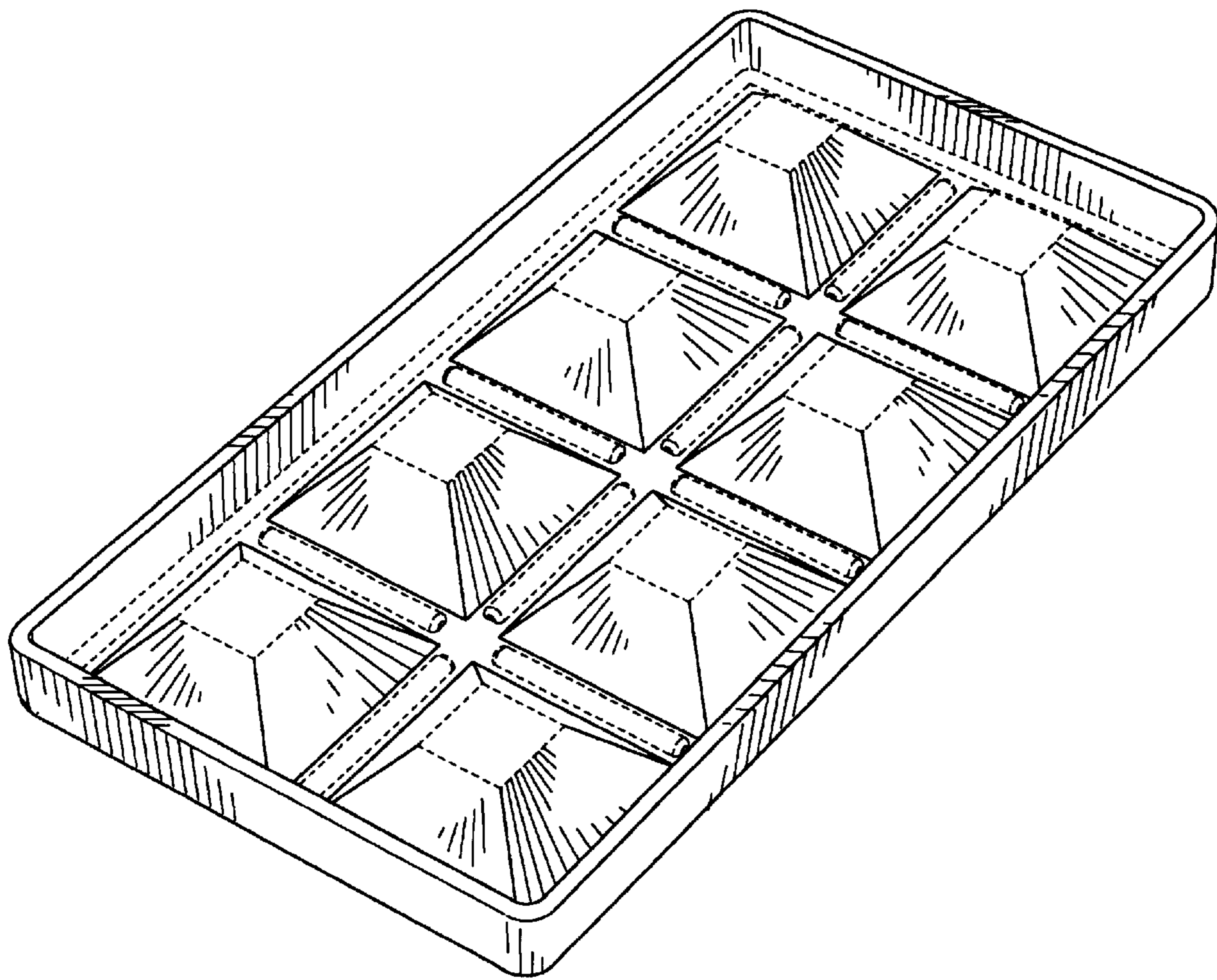


Fig. 7

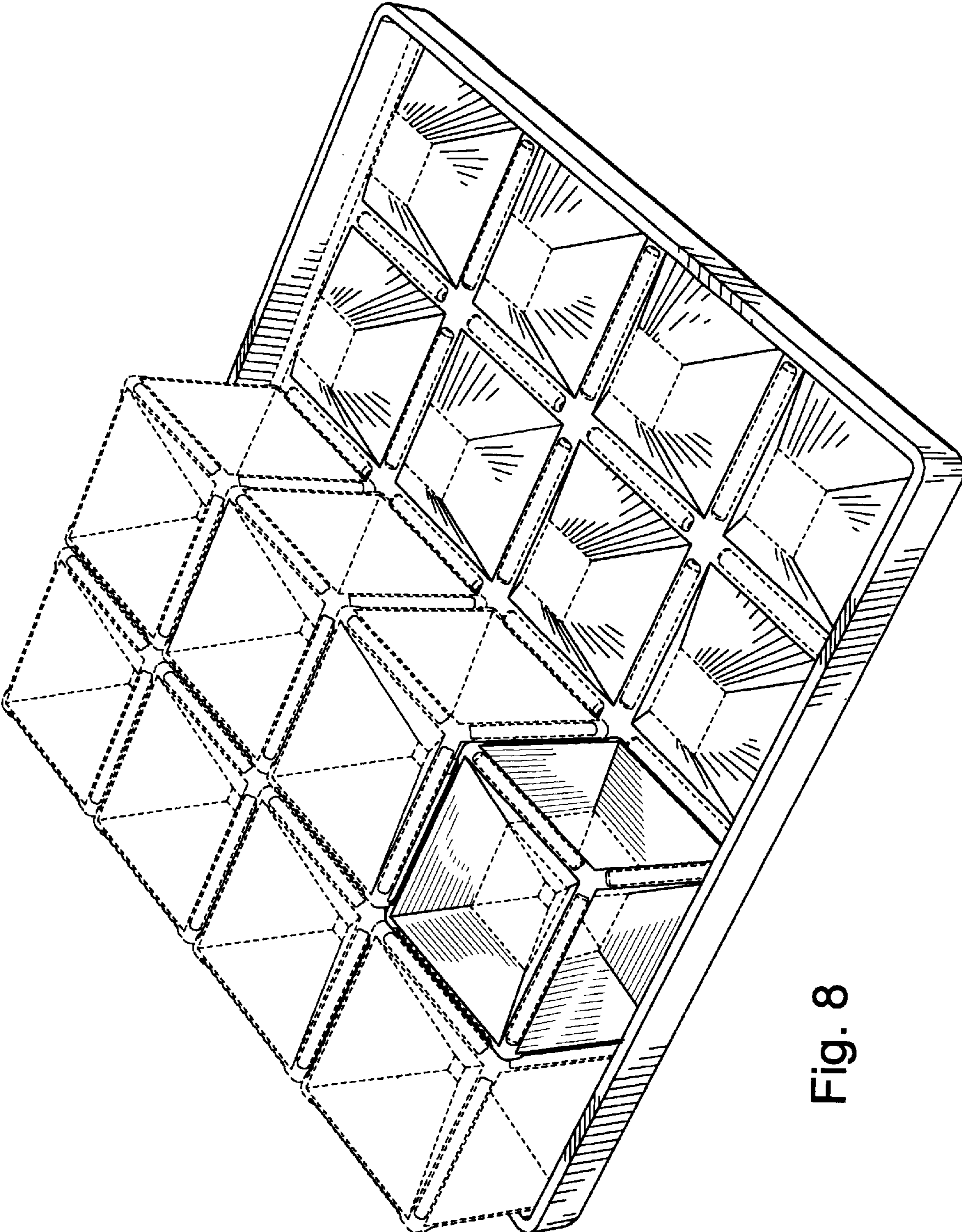


Fig. 8



UNITED STATES PATENT AND TRADEMARK OFFICE  
**CERTIFICATE OF CORRECTION**

PATENT NO. : Des. 539,359 S  
APPLICATION NO. : 29/252515  
DATED : March 27, 2007  
INVENTOR(S) : Dror Rom

Page 1 of 1

It is certified that error appears in the above-identified patent and that said Letters Patent is hereby corrected as shown below:

Title page,  
Item [73], Assignee: replace "Elogio, Inc." with --Elogiq, Inc.--

Signed and Sealed this

Eighth Day of May, 2007

A handwritten signature in black ink on a dotted background. The signature reads "Jon W. Dudas" in a cursive style.

JON W. DUDAS

*Director of the United States Patent and Trademark Office*