



US00D539358S

(12) **United States Design Patent**
Shi

(10) **Patent No.:** **US D539,358 S**

(45) **Date of Patent:** **** Mar. 27, 2007**

(54) **ROTOR BLADES FOR A TOY HELICOPTER**

(75) Inventor: **Quan Guan Shi**, Hong Kong (HK)

(73) Assignee: **Global Billion International, Ltd.**,
Hong Kong (HK)

(**) Term: **14 Years**

(21) Appl. No.: **29/255,106**

(22) Filed: **Mar. 3, 2006**

(51) **LOC (8) Cl.** **21-01**

(52) **U.S. Cl.** **D21/441; D21/442; D21/453**

(58) **Field of Classification Search** D21/436,
D21/437, 441-444, 450, 453, 455; D12/325,
D12/327, 328, 329, 345; 446/34-68; 244/17.11-17.27
See application file for complete search history.

(56) **References Cited**

U.S. PATENT DOCUMENTS

2,802,299	A	*	8/1957	Lohr	446/40
D199,681	S	*	12/1964	Bross	D21/442
5,255,871	A	*	10/1993	Ikeda	244/17.13

5,735,670	A	*	4/1998	Moffitt et al.	416/87
D401,898	S	*	12/1998	Lauder et al.	D12/326
6,019,578	A	*	2/2000	Hager et al.	416/87
6,659,395	B2	*	12/2003	Rehkemper et al.	244/17.11
2004/0245376	A1	*	12/2004	Muren	244/17.11

* cited by examiner

Primary Examiner—Catherine Tuttle

(74) *Attorney, Agent, or Firm*—Intellectual Property Law Group LLP; Otto O. Lee; Juneko Jackson

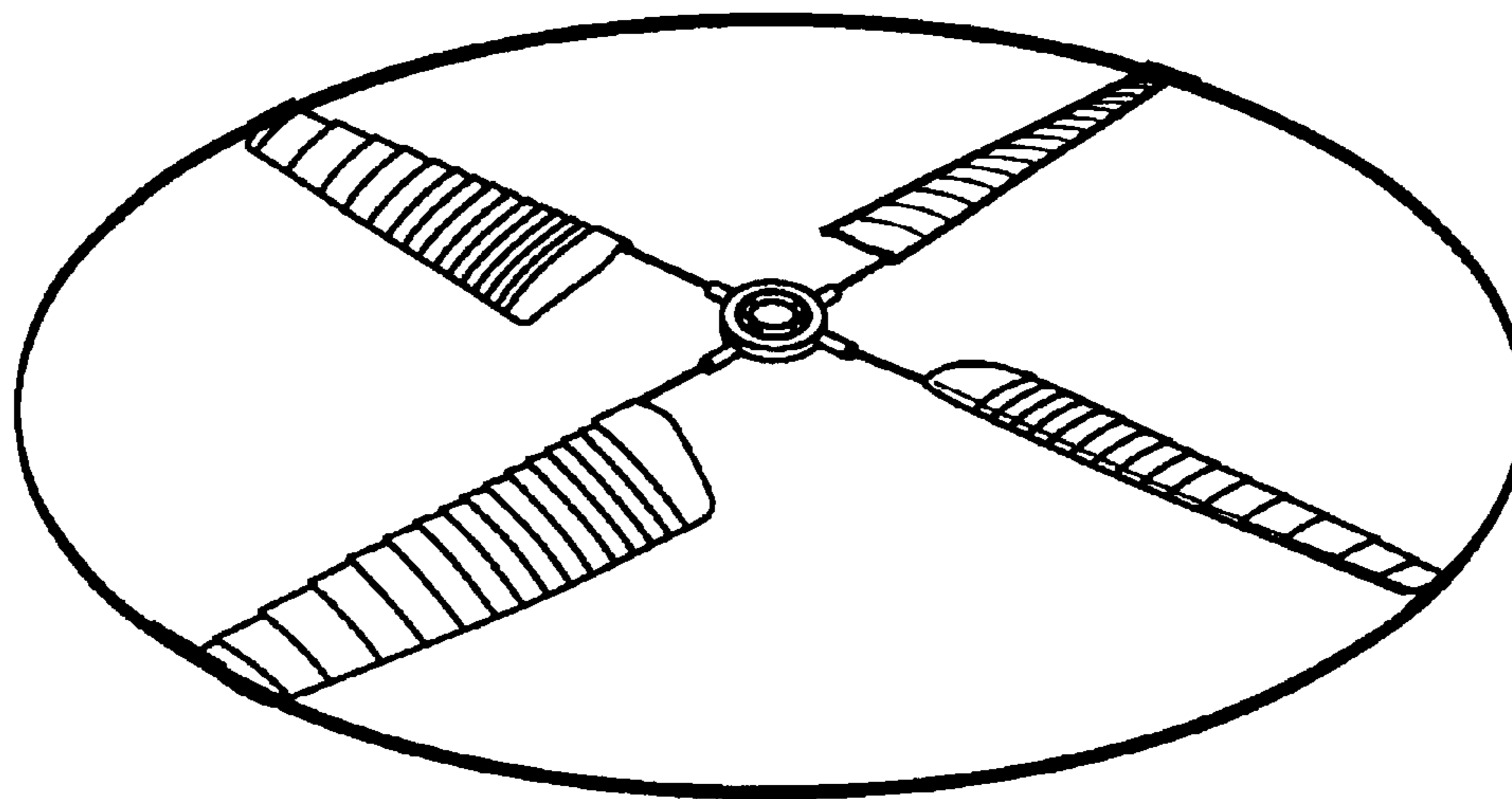
(57) **CLAIM**

The ornamental design for the rotor blade for a toy helicopter, as shown and described.

DESCRIPTION

FIG. 1 is a perspective view of a rotor blade for a toy helicopter embodying my design;
FIG. 2 is a front elevational view thereof, the rear elevational and side elevational views being mirror images thereof;
FIG. 3 is a bottom plan view thereof; and,
FIG. 4 is a top plan view thereof.

1 Claim, 2 Drawing Sheets



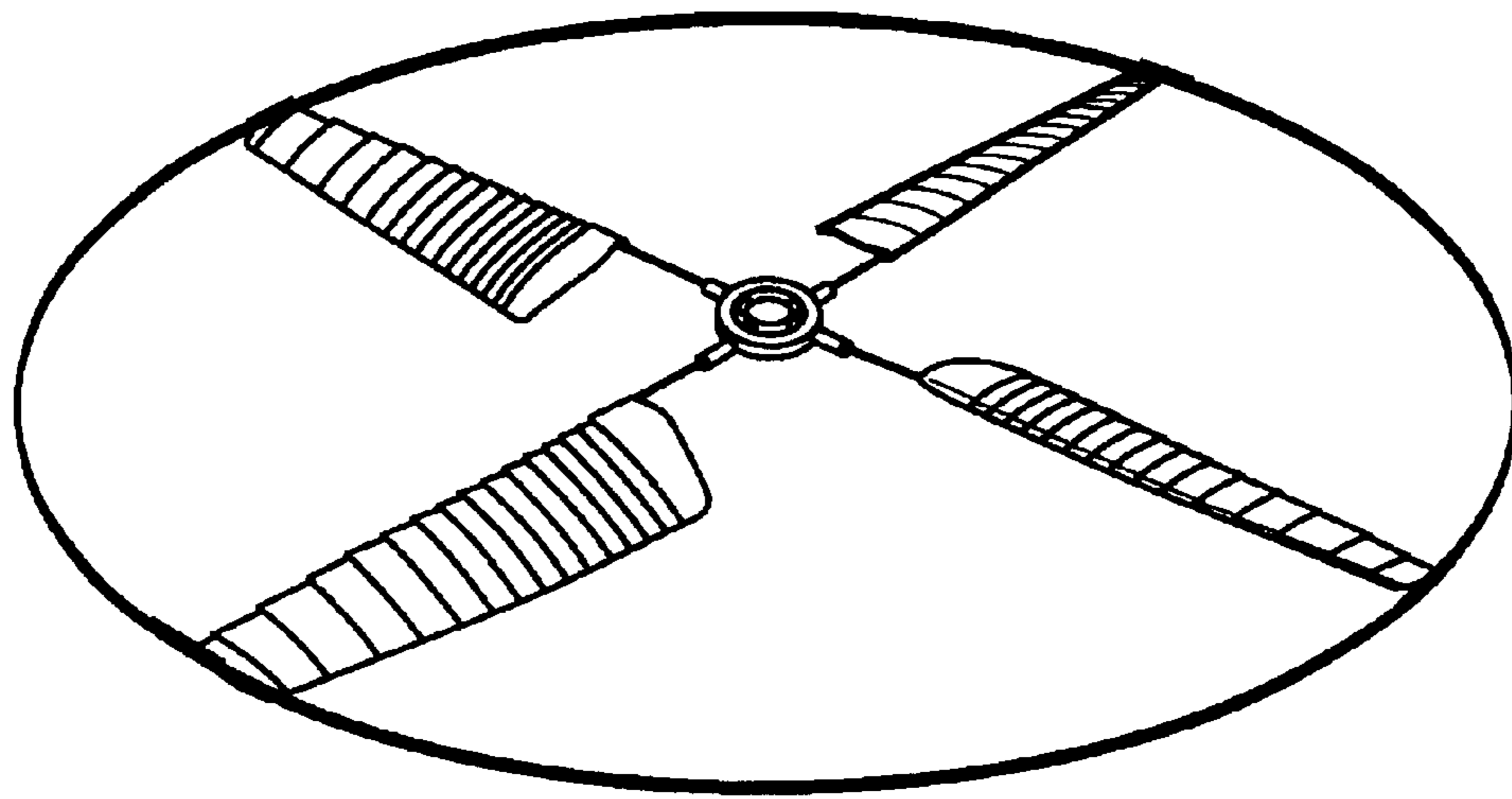


Fig. 1



Fig. 2

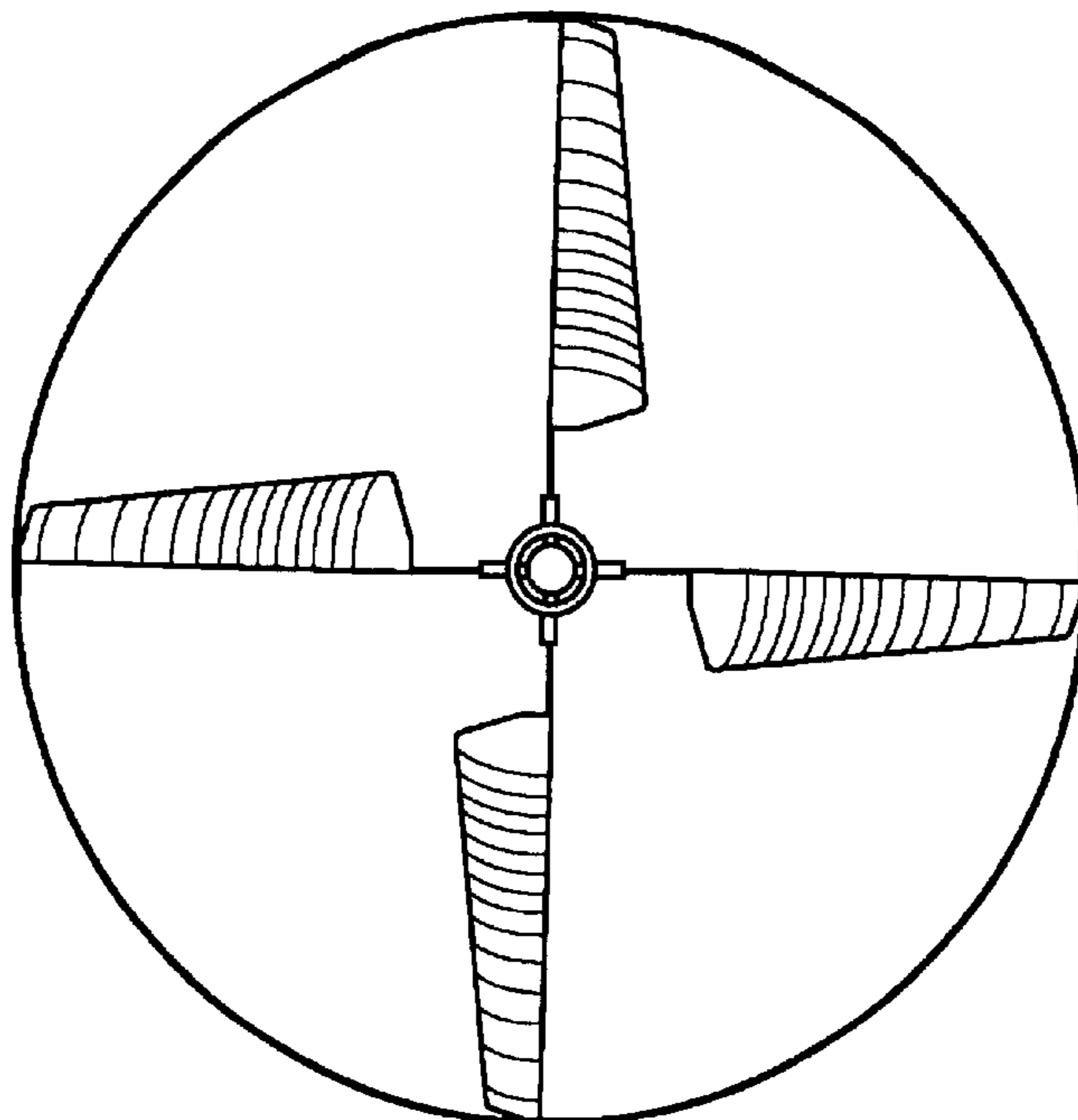


Fig. 3

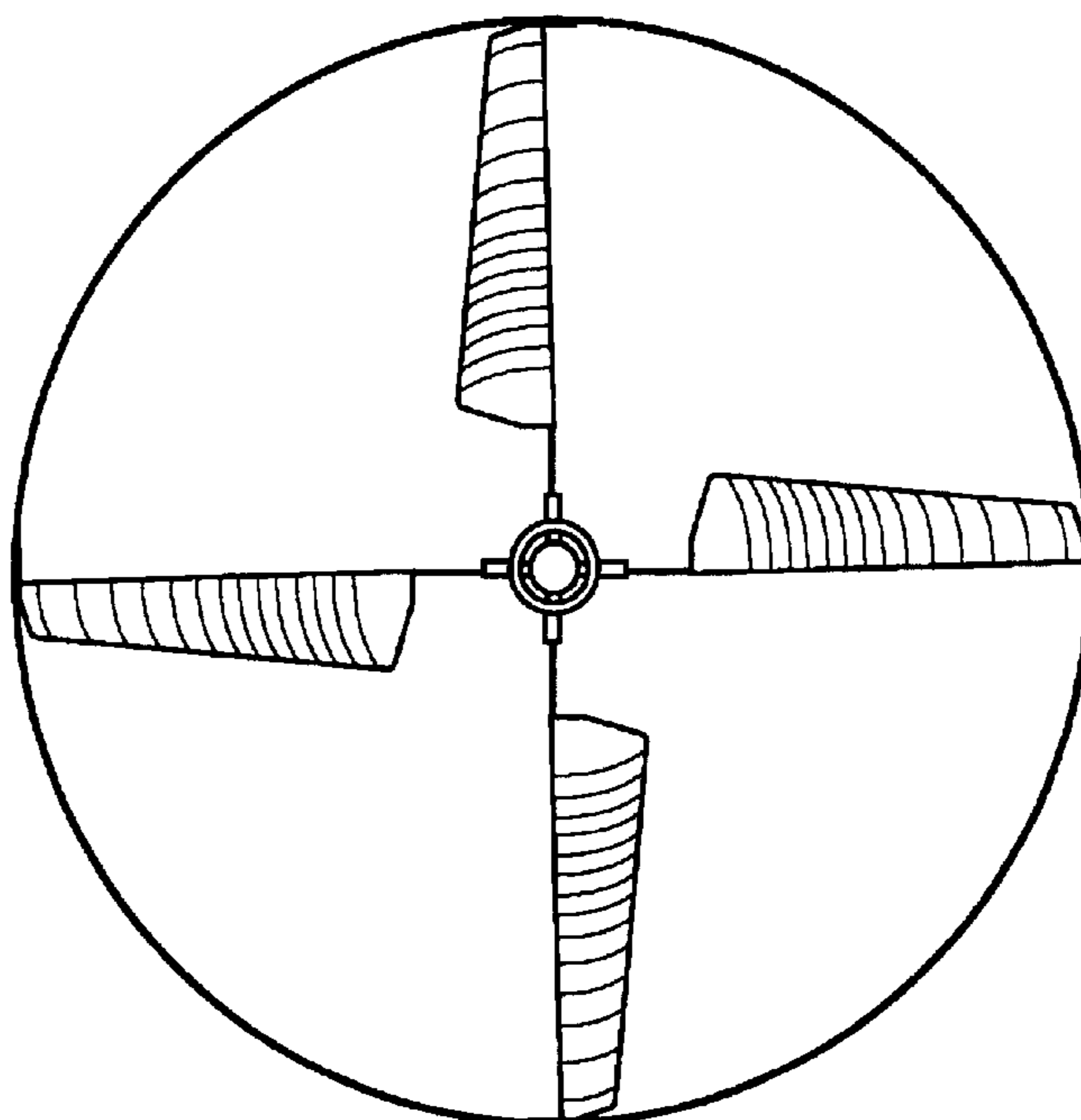


Fig. 4