



US00D539356S

(12) **United States Design Patent**
Wilson et al.

(10) **Patent No.: US D539,356 S**
(45) **Date of Patent: ** Mar. 27, 2007**

(54) **BUBBLE WEED TRIMMER TOY**
(75) Inventors: **Paul R. Wilson**, Camarillo, CA (US);
Charles E. Grafton, El Segundo, CA (US)
(73) Assignee: **Lanard Toys, Inc.**, Oxnard, CA (US)
(**) Term: **14 Years**
(21) Appl. No.: **29/200,895**
(22) Filed: **Mar. 5, 2004**
(51) **LOC (8) Cl.** **21-01**
(52) **U.S. Cl.** **D21/401; D21/483**
(58) **Field of Classification Search** D21/398,
D21/401, 405, 406, 408, 483, 523, 526, 532,
D21/537; D8/8; 446/15-21, 76, 81, 144,
446/175, 267, 397, 406, 475, 418-422
See application file for complete search history.

D380,129 S * 6/1997 Meisner et al. D8/8
5,879,218 A 3/1999 Tao
6,062,935 A 5/2000 Gross
6,102,764 A 8/2000 Thai
6,139,391 A 10/2000 Thai et al.
6,149,486 A 11/2000 Thai
6,200,184 B1 3/2001 Rich et al.
D446,699 S * 8/2001 Marshall et al. D8/8
6,315,627 B1 11/2001 Thai
6,331,130 B1 12/2001 Thai
D457,925 S * 5/2002 Grafton D21/532
6,544,091 B1 4/2003 Thai
6,572,427 B1 6/2003 Thai
6,616,498 B1 9/2003 Thai
2002/0061697 A1 5/2002 Hornsby et al.
2003/0199221 A1 10/2003 Thai

* cited by examiner

Primary Examiner—Catherine Tuttle
(74) *Attorney, Agent, or Firm*—Kenneth J. Hovet; Patrick F. Bright

(56) **References Cited**
U.S. PATENT DOCUMENTS

432,415 A * 7/1890 Lewis 446/20
2,560,582 A 7/1951 Limber
2,606,396 A * 8/1952 Hill 446/18
2,659,177 A 11/1953 Kopf
2,974,438 A 3/1961 Hopkins
3,579,898 A 5/1971 Hein
3,604,144 A 9/1971 Span
4,166,336 A * 9/1979 Smith 446/19
4,423,565 A 1/1984 Bart
D279,118 S * 6/1985 Klawitter D21/483
D279,590 S * 7/1985 Klawitter D21/483
4,576,582 A * 3/1986 Panzarella 446/16
4,700,965 A 10/1987 Kinberg
4,957,464 A 9/1990 Perez
5,348,507 A * 9/1994 McGhie et al. 446/16
5,395,274 A 3/1995 Myers
5,462,469 A 10/1995 Lei
5,498,191 A 3/1996 DeMars
5,520,564 A 5/1996 DeMars
5,542,869 A 8/1996 Petty
5,613,890 A 3/1997 DeMars

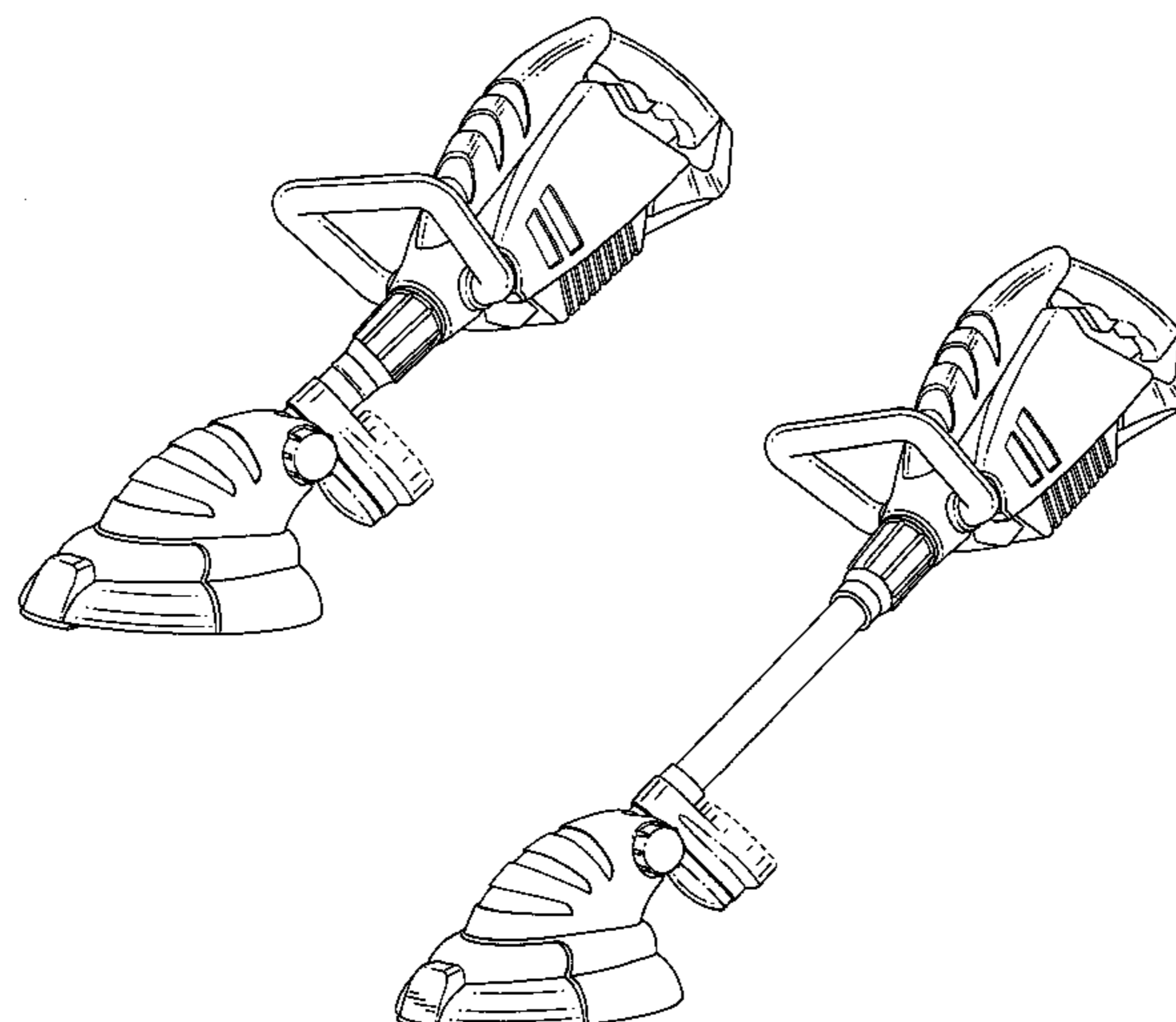
(57) **CLAIM**

The ornamental design for a bubble weed trimmer toy, as shown and described.

DESCRIPTION

FIG. 1 is a front left side perspective view of the bubble weed trimmer toy, showing our new design.
FIG. 2 is a left side elevational view thereof, with the right side being a mirror image thereof.
FIG. 3 is a top plan view thereof.
FIG. 4 is a bottom plan view thereof.
FIG. 5 is a front-end elevation view thereof.
FIG. 6 is a back-end elevation view thereof; and,
FIG. 7 is a front left-side perspective view of the design shown in FIGS. 1-5 in an extended position, the right side being a mirror image of the left side.
The broken lines are included to illustrate portions of the bubble weed trimmer toy that form no part of the claimed design. The appearance within the arched area disposed on the front end forms no part of the claimed design.

1 Claim, 7 Drawing Sheets



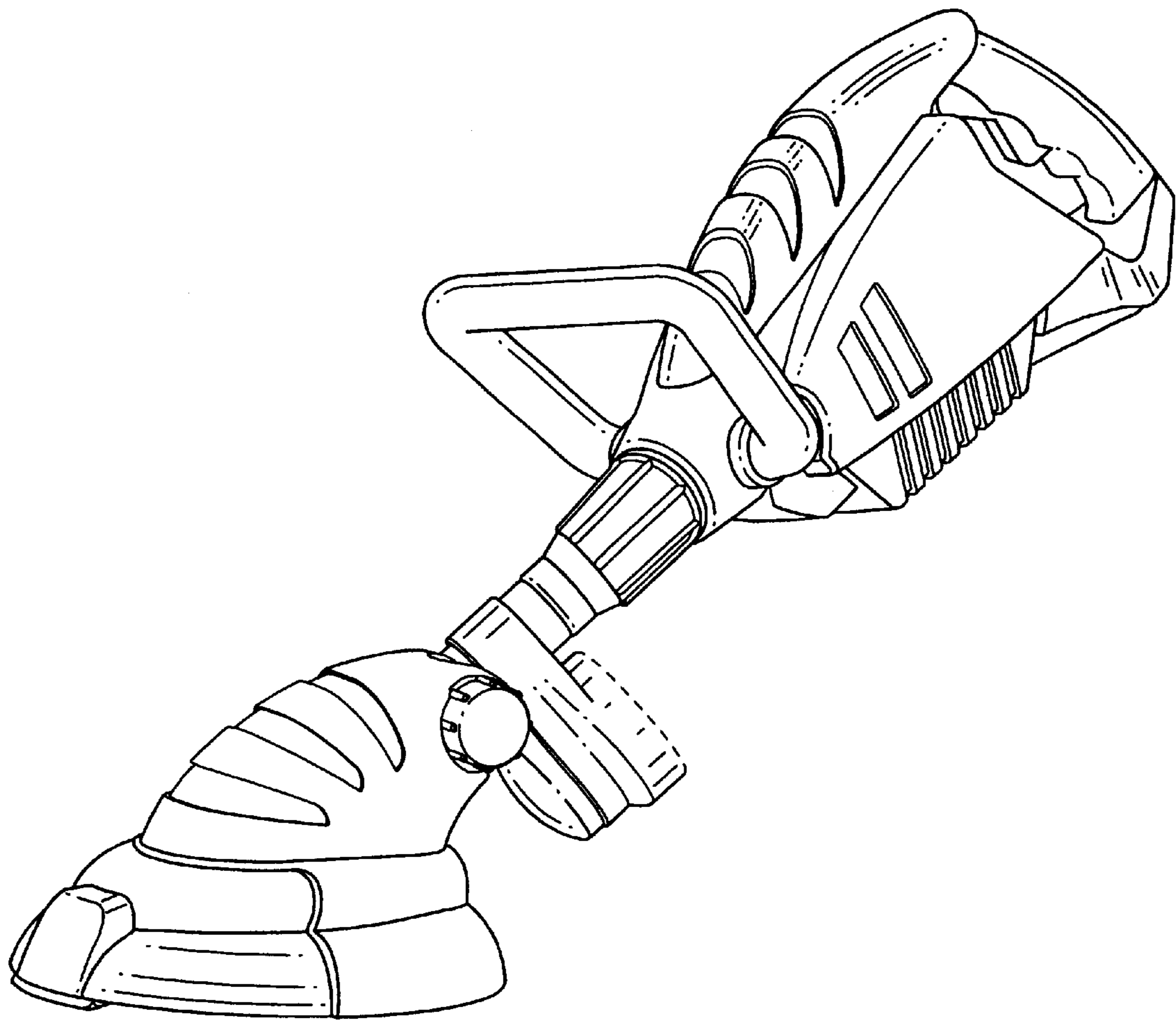


FIG.1

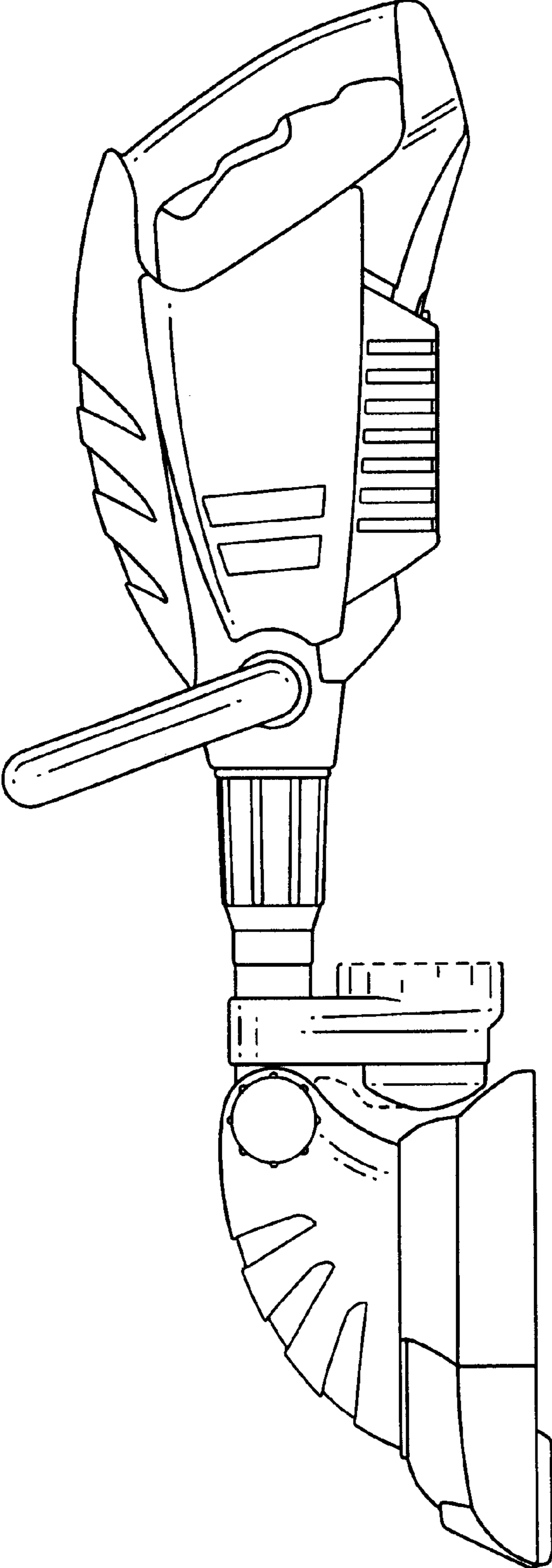


FIG. 2

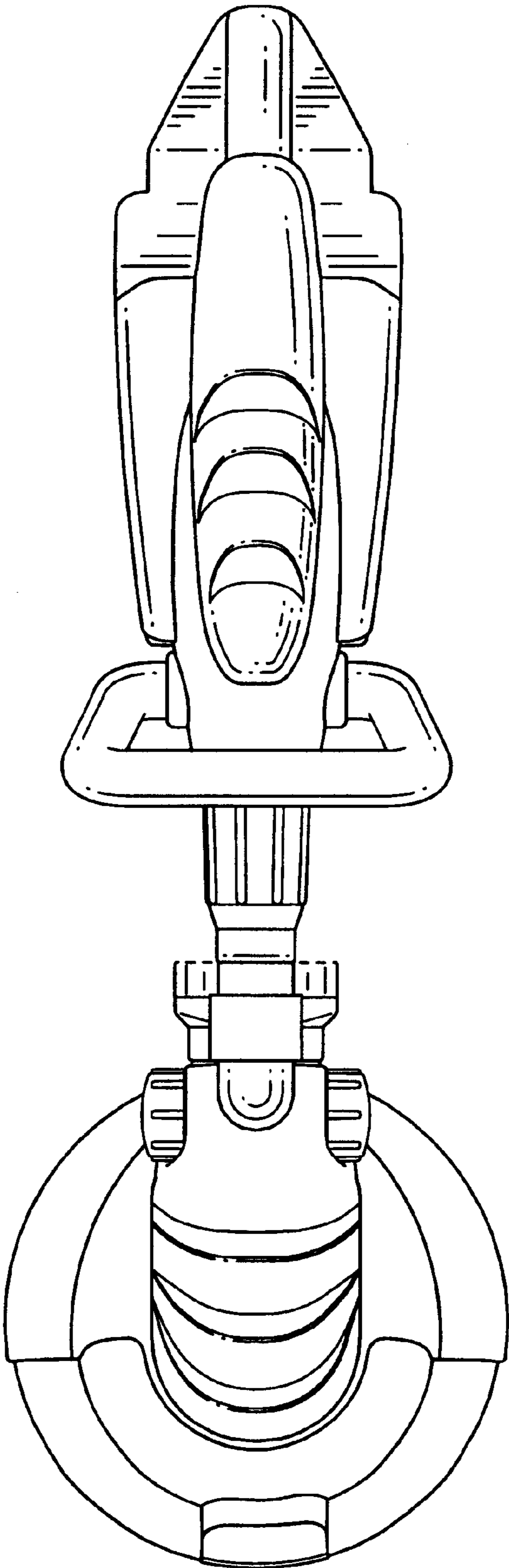


FIG. 3

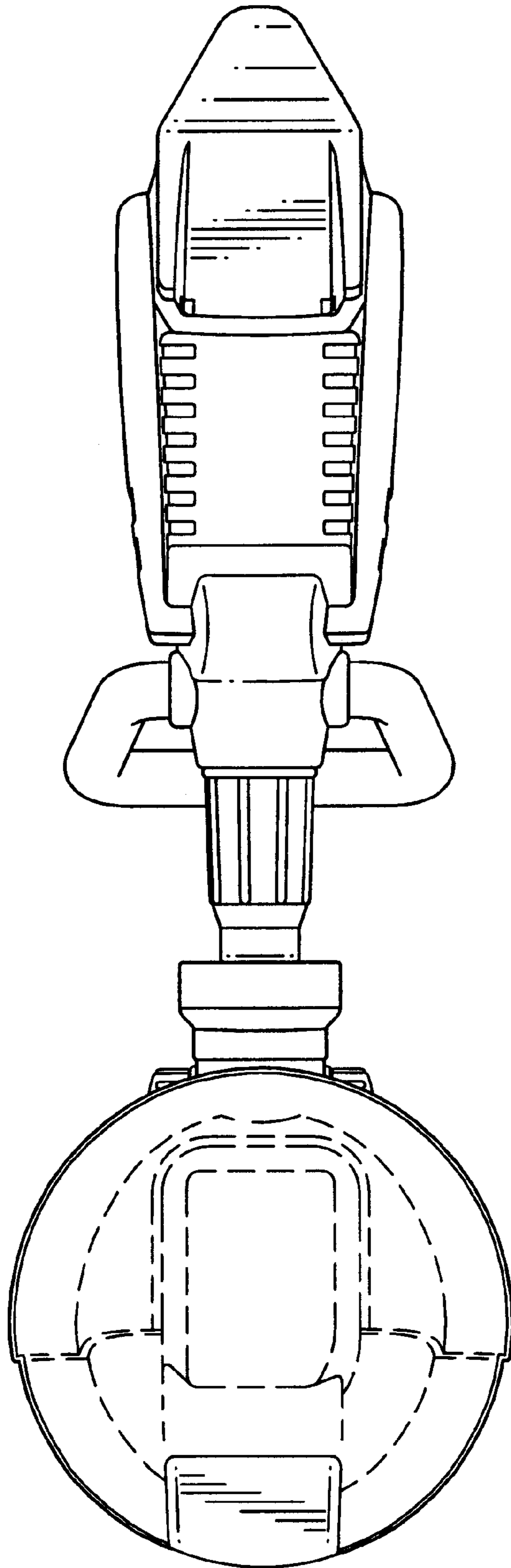


FIG. 4

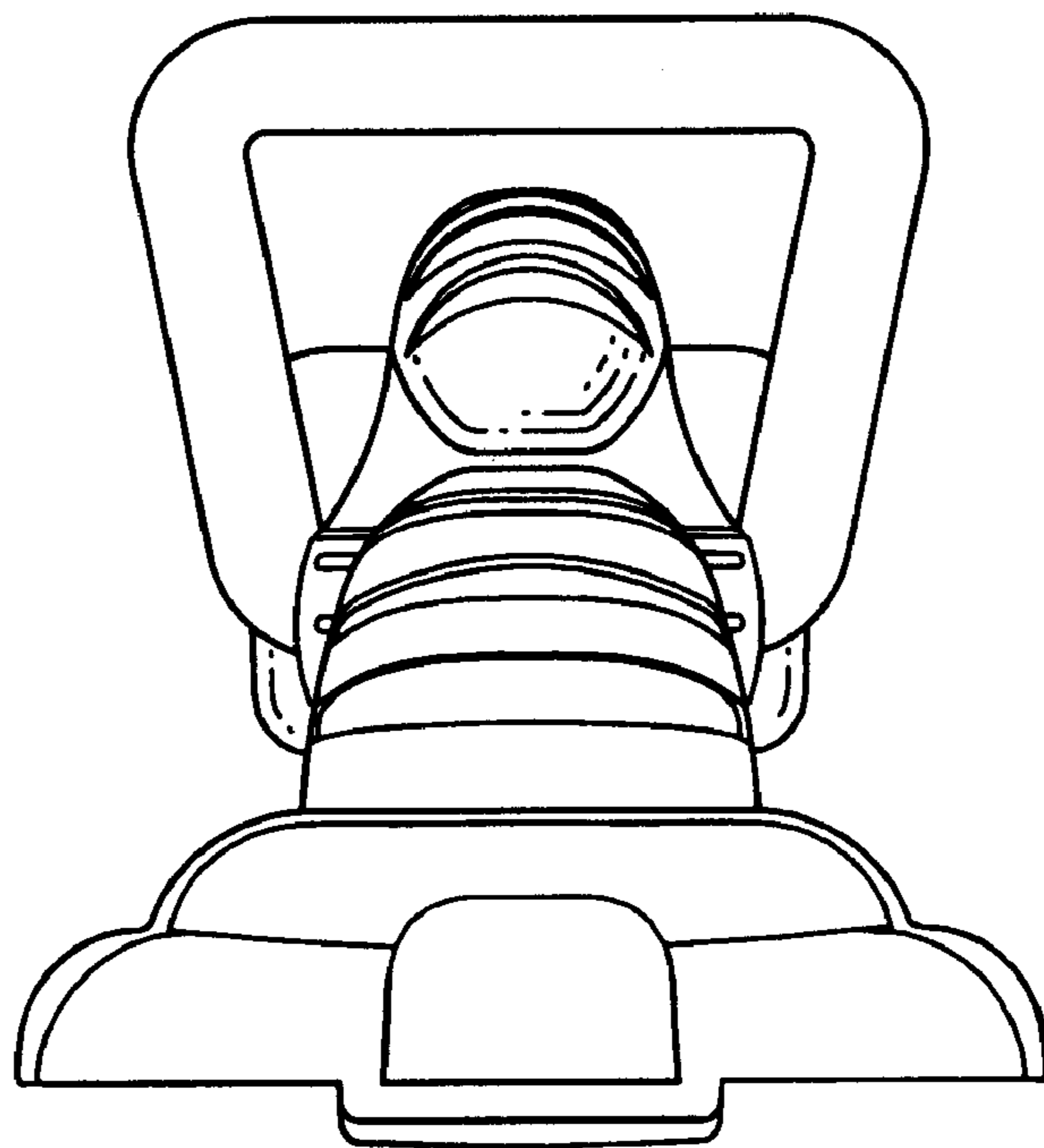


FIG. 5

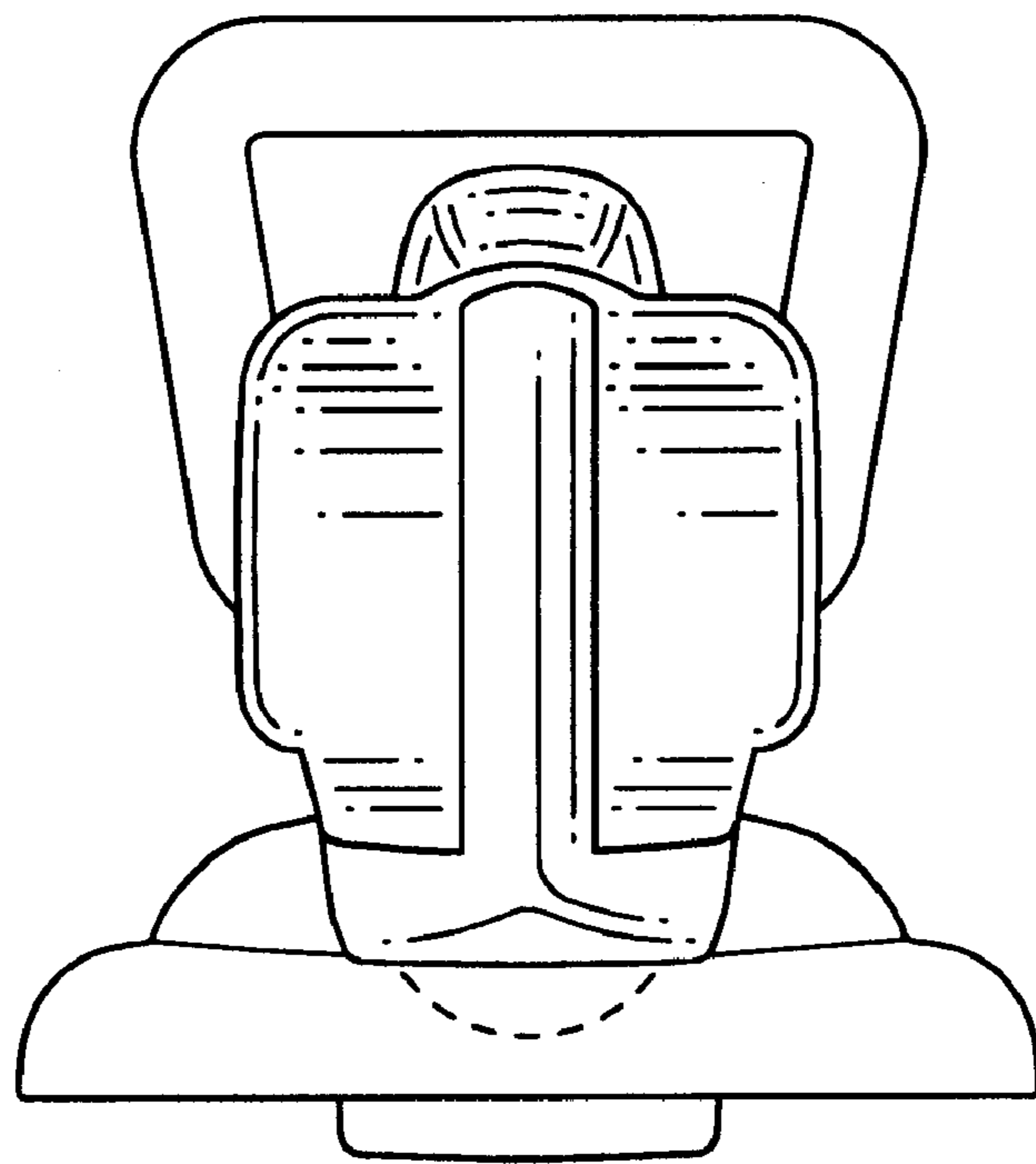


FIG. 6

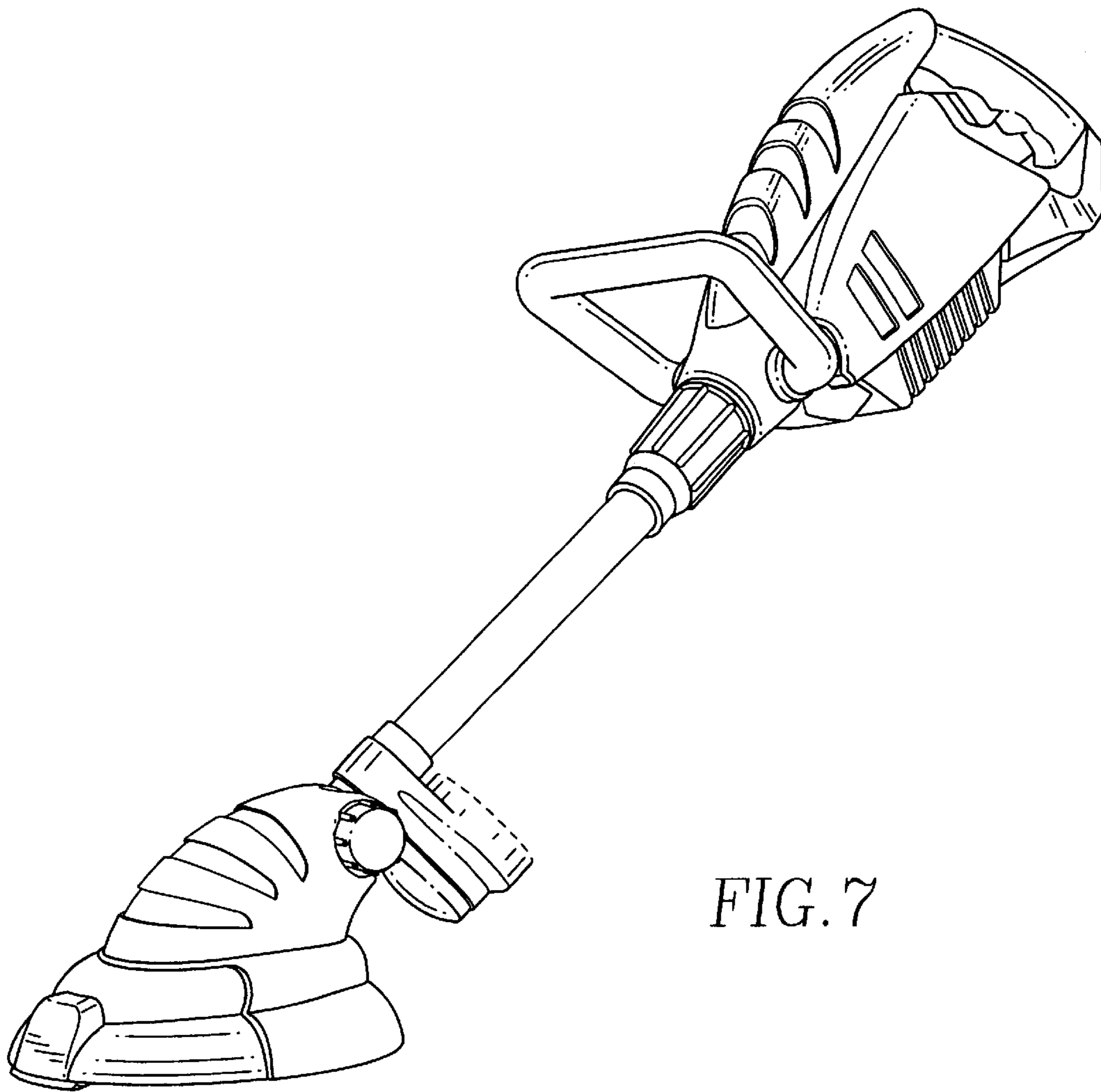


FIG. 7