



US00D539355S

(12) **United States Design Patent**  
**Fujita**

(10) **Patent No.:** **US D539,355 S**  
(45) **Date of Patent:** **\*\* Mar. 27, 2007**

- (54) **CARTRIDGE FOR HAND-HELD ELECTRONIC GAME MACHINE**
- (75) Inventor: **Motoki Fujita**, Kyoto (JP)
- (73) Assignee: **Nintendo Co., Ltd.**, Kyoto (JP)
- (\*\*) Term: **14 Years**
- (21) Appl. No.: **29/242,562**
- (22) Filed: **Nov. 14, 2005**
- (30) **Foreign Application Priority Data**  
May 13, 2005 (JP) ..... 2005-013737
- (51) **LOC (8) Cl.** ..... **21-01**
- (52) **U.S. Cl.** ..... **D21/332; D14/435**
- (58) **Field of Classification Search** ..... D21/332, D21/333, 324; D14/400, 401, 432-435, 496; 273/148 B; 463/1, 29, 30, 43-47  
See application file for complete search history.

(56) **References Cited**

**U.S. PATENT DOCUMENTS**

D292,399 S	10/1987	Yukawa	
D294,020 S	2/1988	Yukawa	
D319,823 S	9/1991	Kojo	
D320,203 S	9/1991	Ashida	
D321,429 S	11/1991	Kojo	
D350,353 S	* 9/1994	Schulman	..... D14/188
D374,665 S	* 10/1996	Miyaki	..... D14/435
D382,868 S	8/1997	Ashida	
5,653,638 A	* 8/1997	Nagata	..... 463/44
5,809,520 A	* 9/1998	Edwards et al.	..... 711/115
D411,532 S	6/1999	Sugino	
5,926,438 A	* 7/1999	Saito	..... 367/111

D419,198 S	1/2000	Ashida et al.	
D427,245 S	6/2000	Nagata et al.	
D428,939 S	* 8/2000	Ota et al.	..... D21/332
D437,323 S	* 2/2001	Sugino et al.	..... D14/435
6,238,291 B1	* 5/2001	Fujimoto et al.	..... 463/44
6,267,678 B1	* 7/2001	Kubo et al.	..... 463/44
D449,078 S	10/2001	Fujita	
D452,281 S	12/2001	Ohno	
6,383,079 B1	* 5/2002	Takeda et al.	..... 463/43
D458,643 S	6/2002	Ashida	
D462,093 S	* 8/2002	Ashida	..... D21/332
D468,743 S	1/2003	Kawanobe et al.	
D476,660 S	* 7/2003	Tanaka et al.	..... D14/435
D478,127 S	8/2003	Nishikawa	
D478,358 S	8/2003	Ashida	
D480,764 S	10/2003	Inoue et al.	

\* cited by examiner

*Primary Examiner*—Prabhakar Deshmukh  
(74) *Attorney, Agent, or Firm*—Nixon & Vanderhye, PC

(57) **CLAIM**

The ornamental design for a cartridge for hand-held electronic game machine, as shown and described.

**DESCRIPTION**

FIG. 1 is front, top and left perspective view of a cartridge for hand-held electronic game machine showing my new design;  
FIG. 2 is a front view thereof;  
FIG. 3 is a rear view thereof;  
FIG. 4 is a top plan view thereof;  
FIG. 5 is a bottom plan view thereof;  
FIG. 6 is a left side view thereof; and,  
FIG. 7 is a right side view thereof.

**1 Claim, 3 Drawing Sheets**

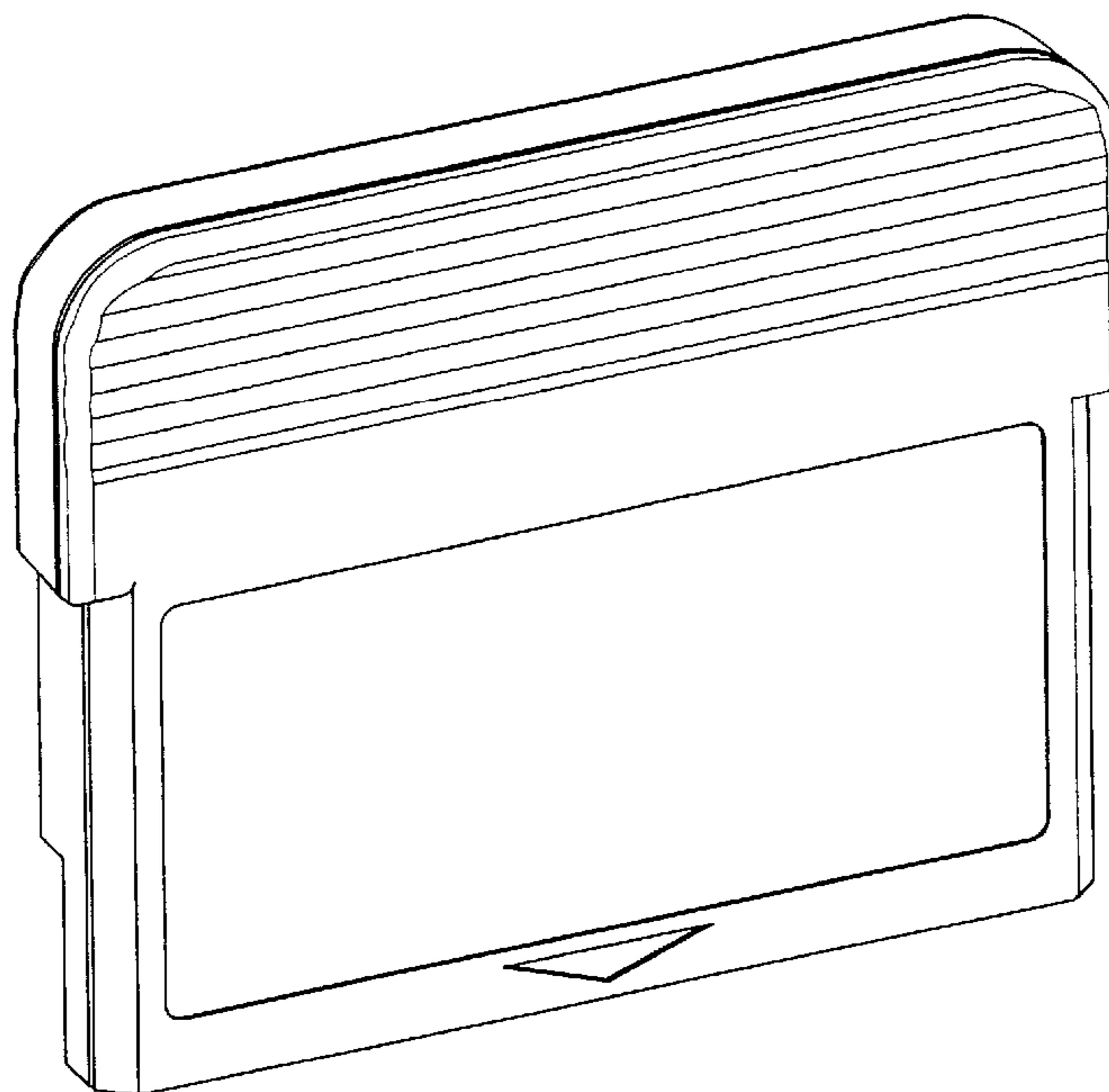


FIG. 1

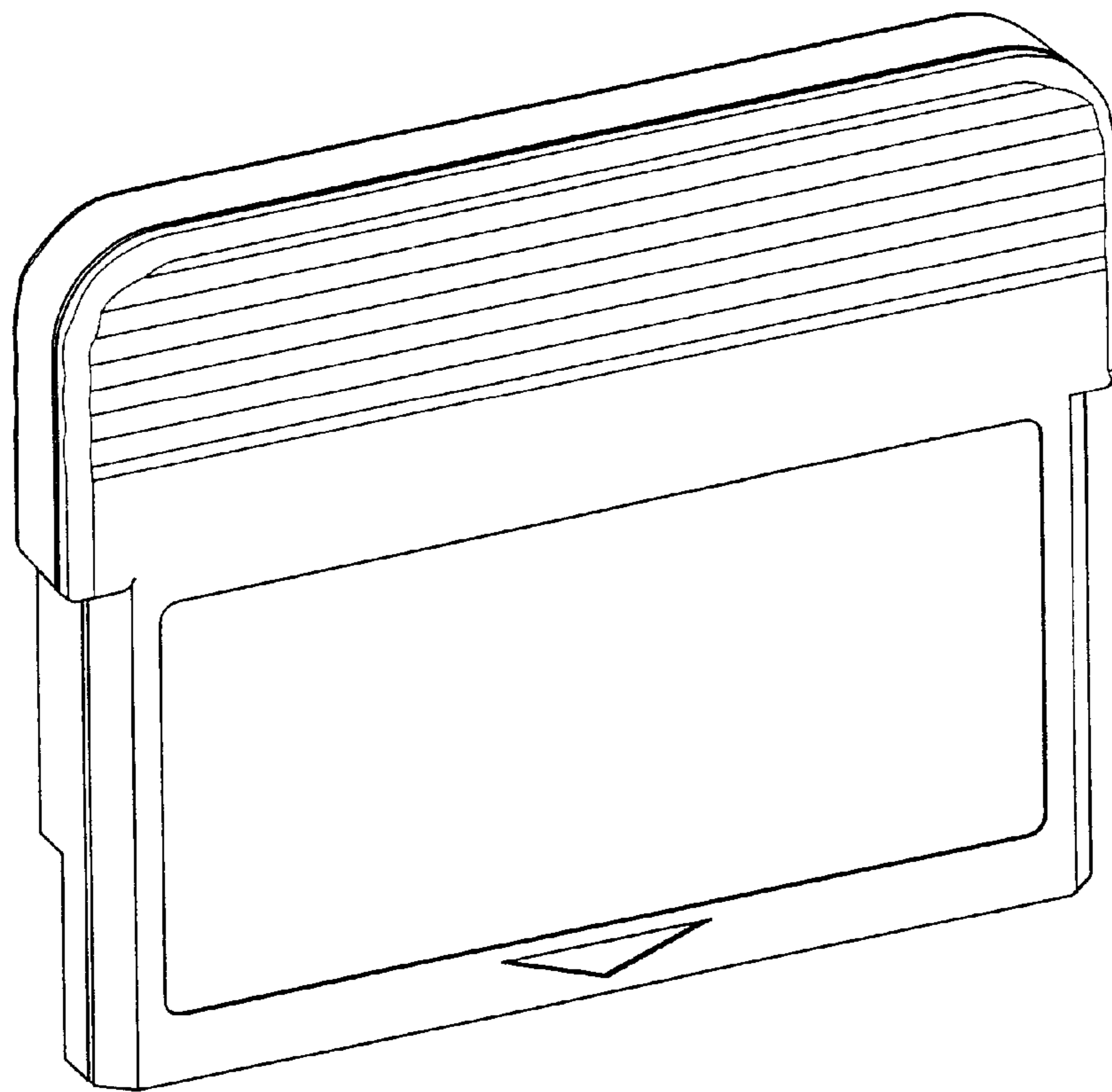


FIG. 2

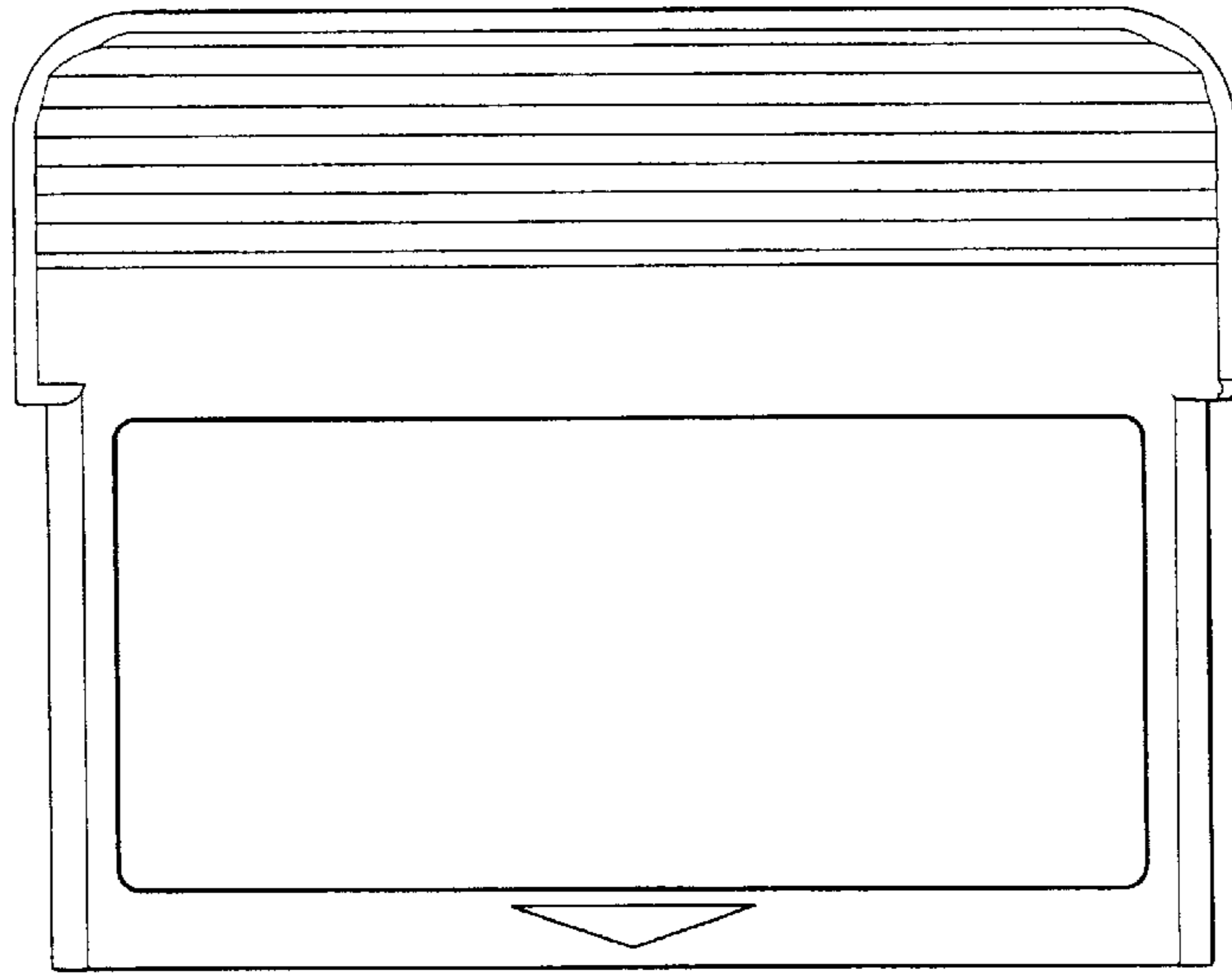


FIG. 3

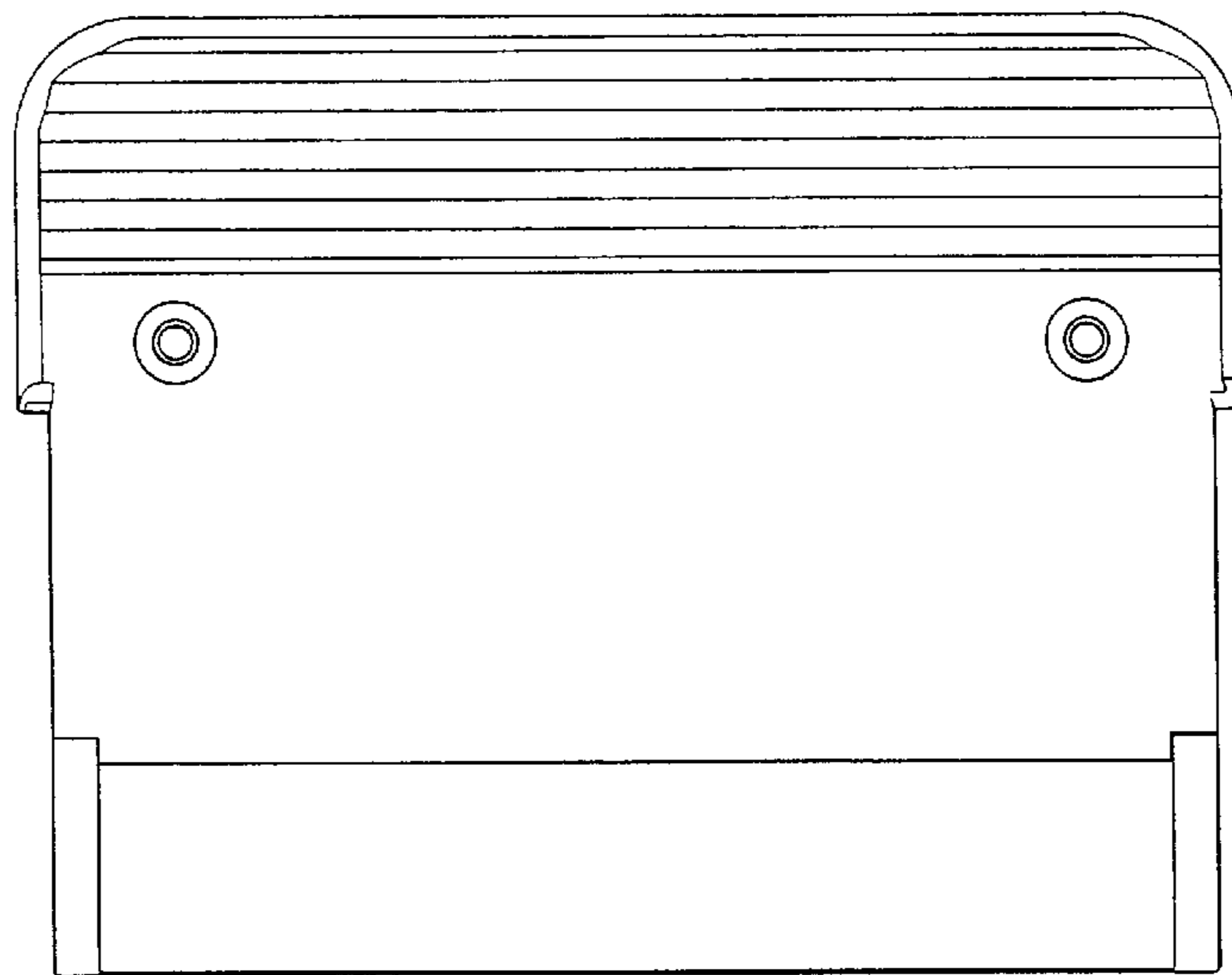


FIG. 4

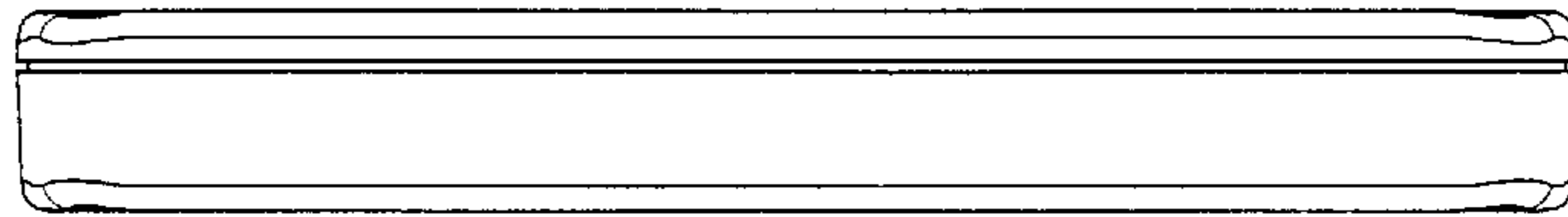


FIG. 5

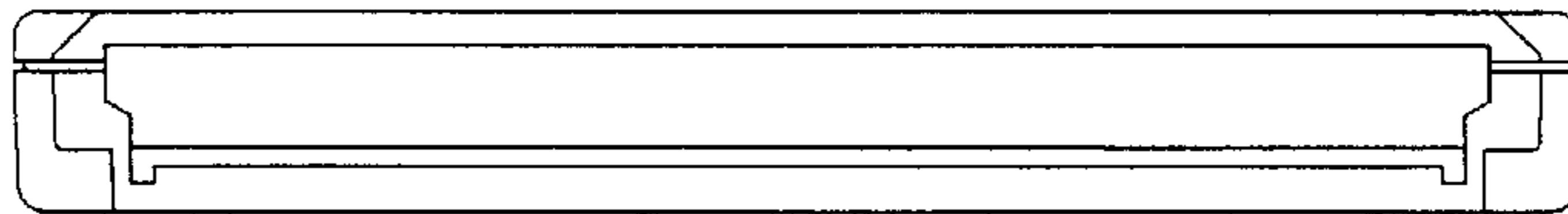


FIG. 6

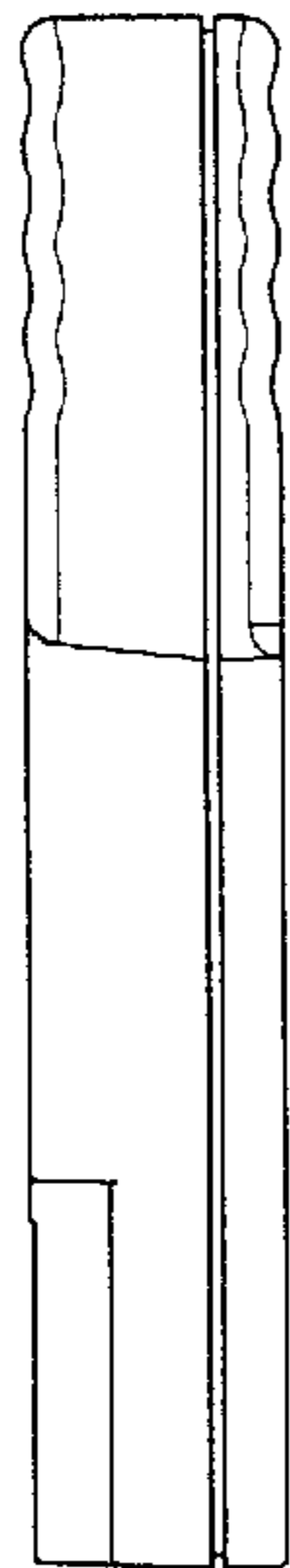


FIG. 7

