



US00D539346S

(12) **United States Design Patent**
Song

(10) **Patent No.:** **US D539,346 S**
(45) **Date of Patent:** **** Mar. 27, 2007**

(54) **BALLPOINT PEN**

(75) Inventor: **Ha-Kyung Song**, Seoul (KR)

(73) Assignee: **Monami Co., Ltd.**, Seoul (KR)

(**) Term: **14 Years**

(21) Appl. No.: **29/234,834**

(22) Filed: **Jul. 25, 2005**

(30) **Foreign Application Priority Data**

Jan. 25, 2005 (KR) 30-2005-0002392

(51) **LOC (8) Cl.** **19-06**

(52) **U.S. Cl.** **D19/43**

(58) **Field of Classification Search** D19/36,
D19/37, 41-51, 54-57; 24/11 R, 11 F, 11 P;
401/52, 99, 100, 104, 105, 106, 107, 108,
401/109, 192, 195, 243-247
See application file for complete search history.

(56) **References Cited**

U.S. PATENT DOCUMENTS

D472,928 S * 4/2003 Ikeda D19/51

D482,724 S * 11/2003 Nishida D19/43
D490,110 S * 5/2004 Qiu D19/51
D502,739 S * 3/2005 Shova et al. D19/66
D509,536 S * 9/2005 Nishida D19/43

* cited by examiner

Primary Examiner—Elizabeth A. Albert

(74) *Attorney, Agent, or Firm*—Robert E. Bushnell, Esq.

(57) **CLAIM**

The ornamental design for a ballpoint pen, as shown and described.

DESCRIPTION

FIG. 1 is a front perspective view of a ballpoint pen, showing my new design;

FIG. 2 is a front elevational view thereof;

FIG. 3 is a rear elevational view thereof;

FIG. 4 is a left elevational side view thereof;

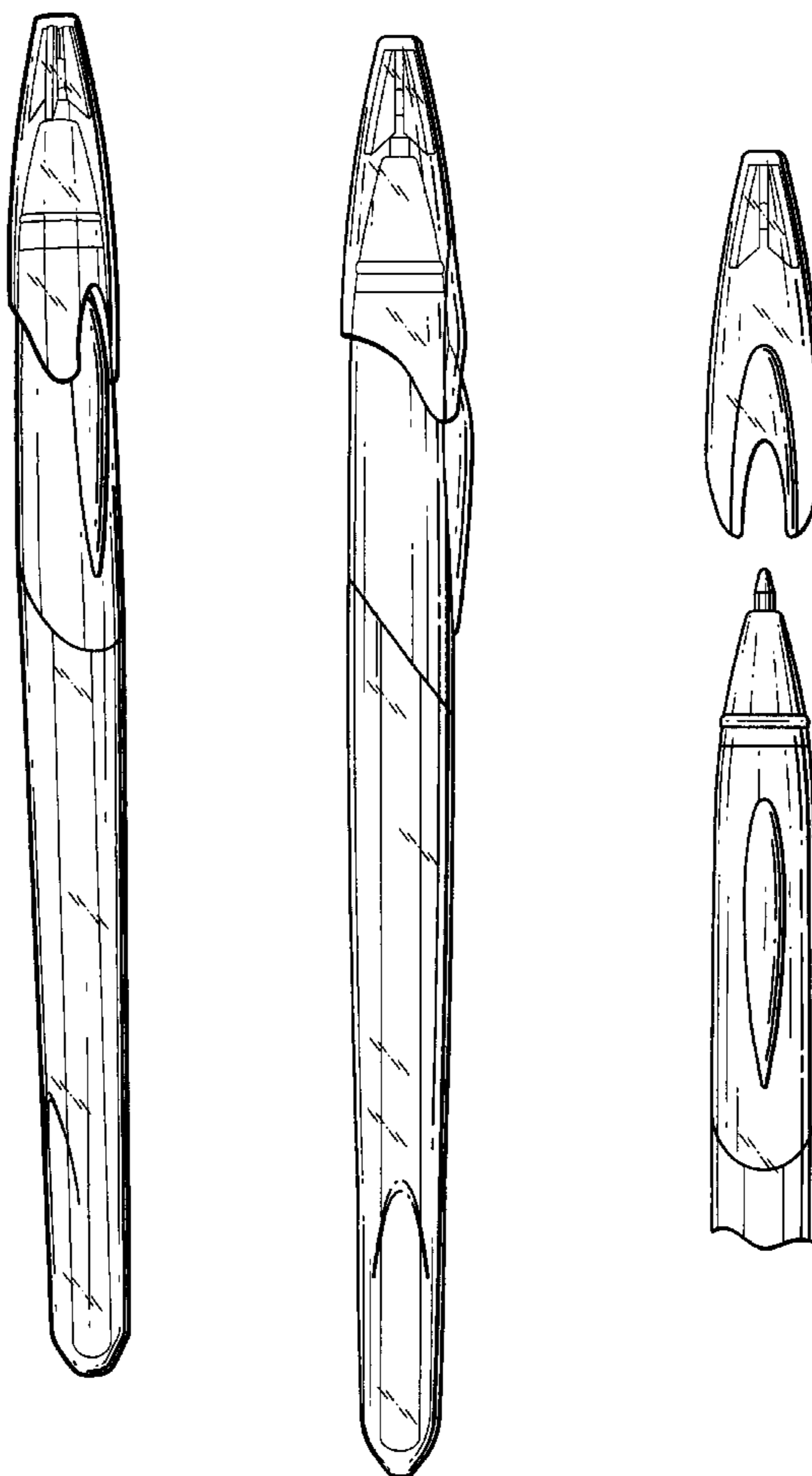
FIG. 5 is a right elevational side view thereof;

FIG. 6 is a top plan view thereof;

FIG. 7 is a bottom plan view thereof; and,

FIG. 8 is an exploded fragmentary front elevational view thereof, with the writing tip exposed.

1 Claim, 5 Drawing Sheets



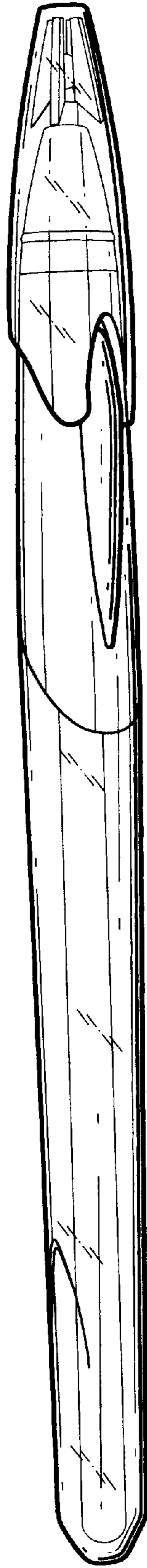


FIG. 1

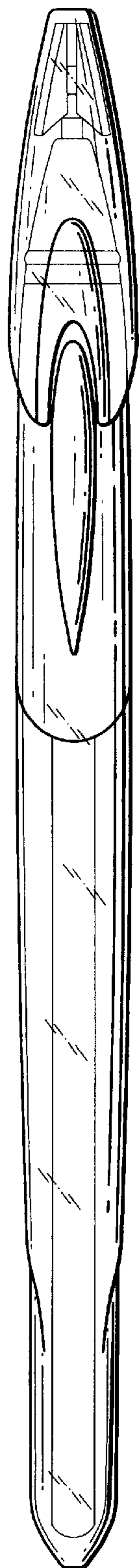


FIG. 2

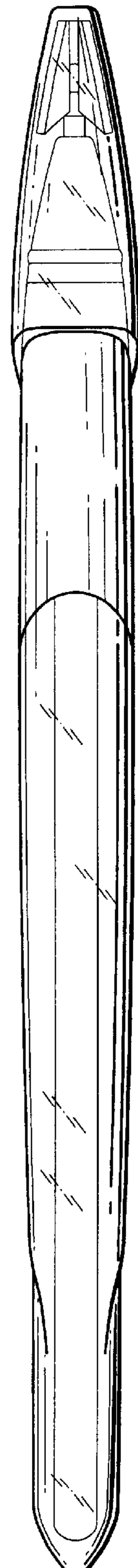


FIG. 3

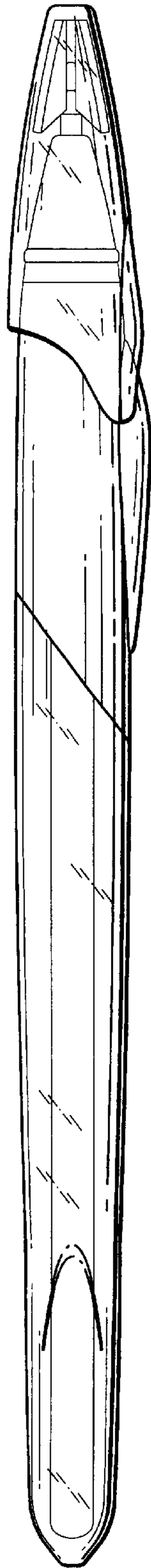


FIG. 4

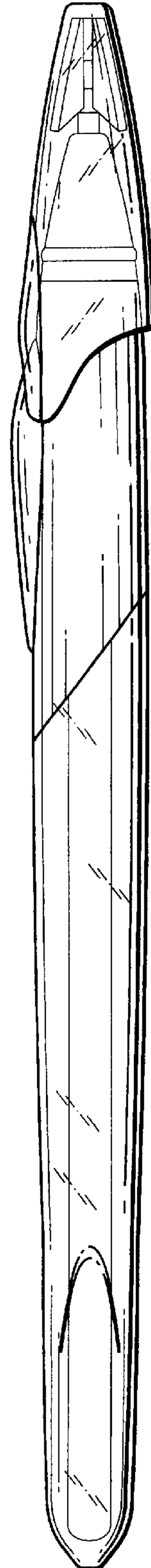


FIG. 5

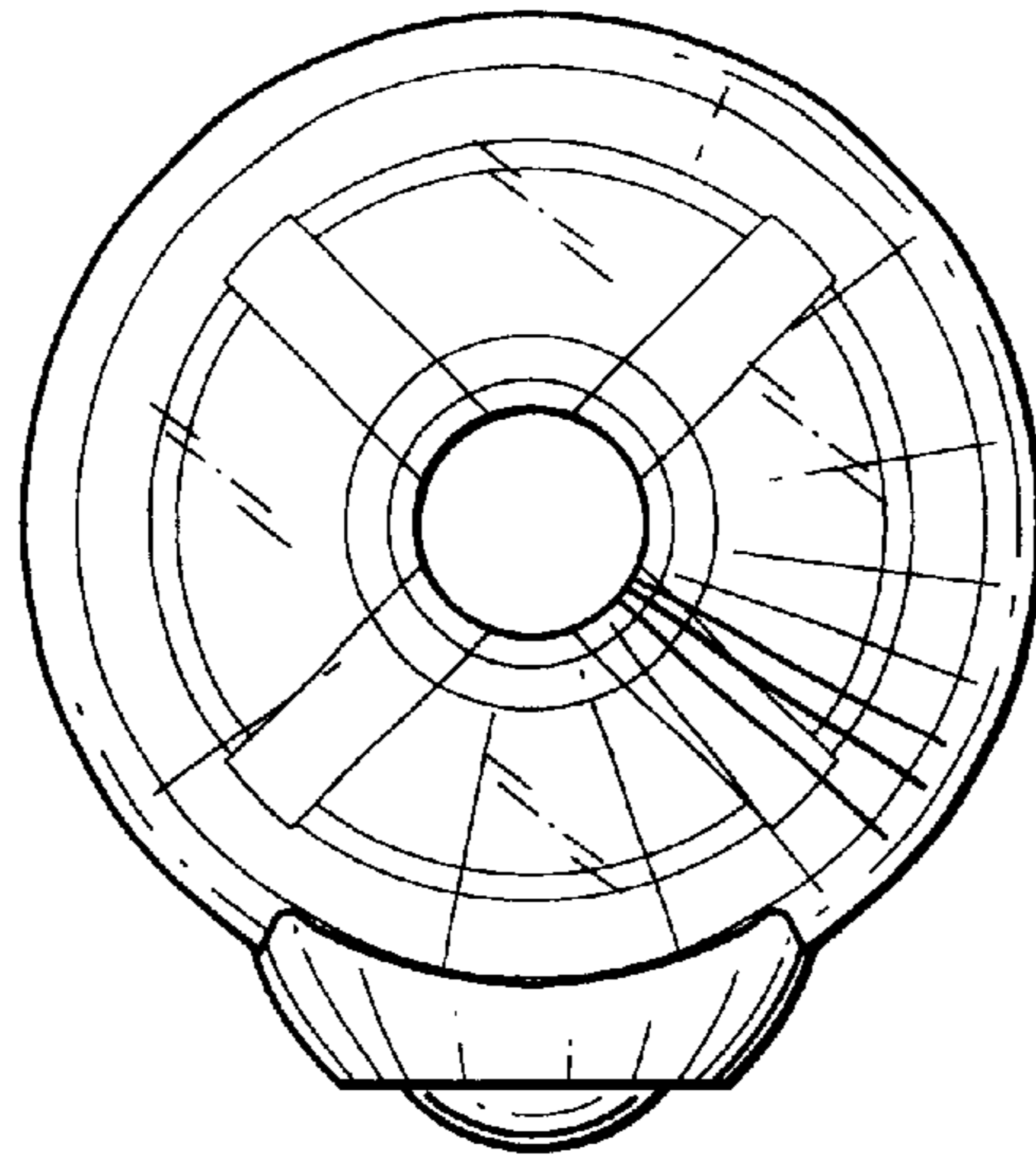


FIG. 6

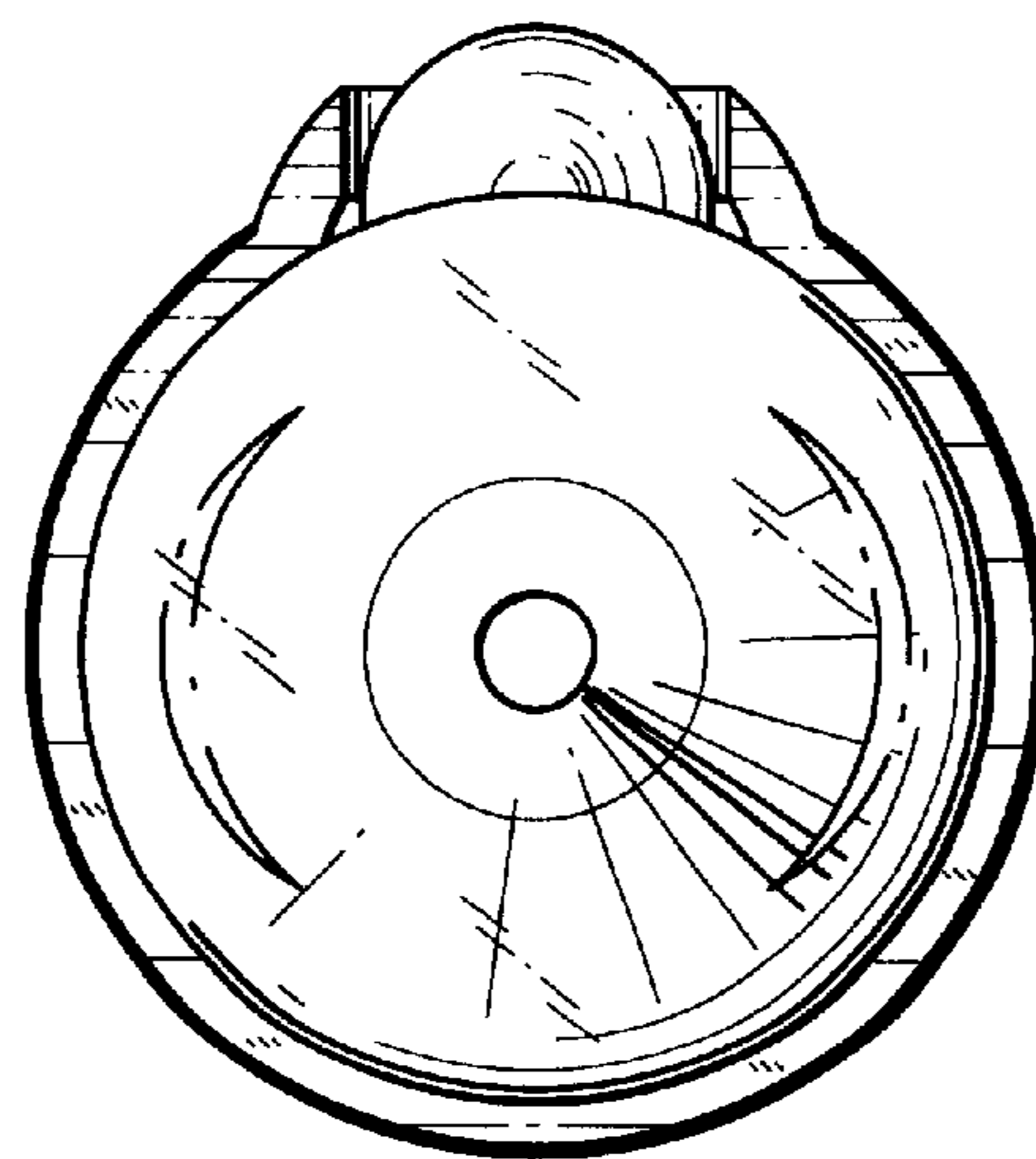


FIG. 7

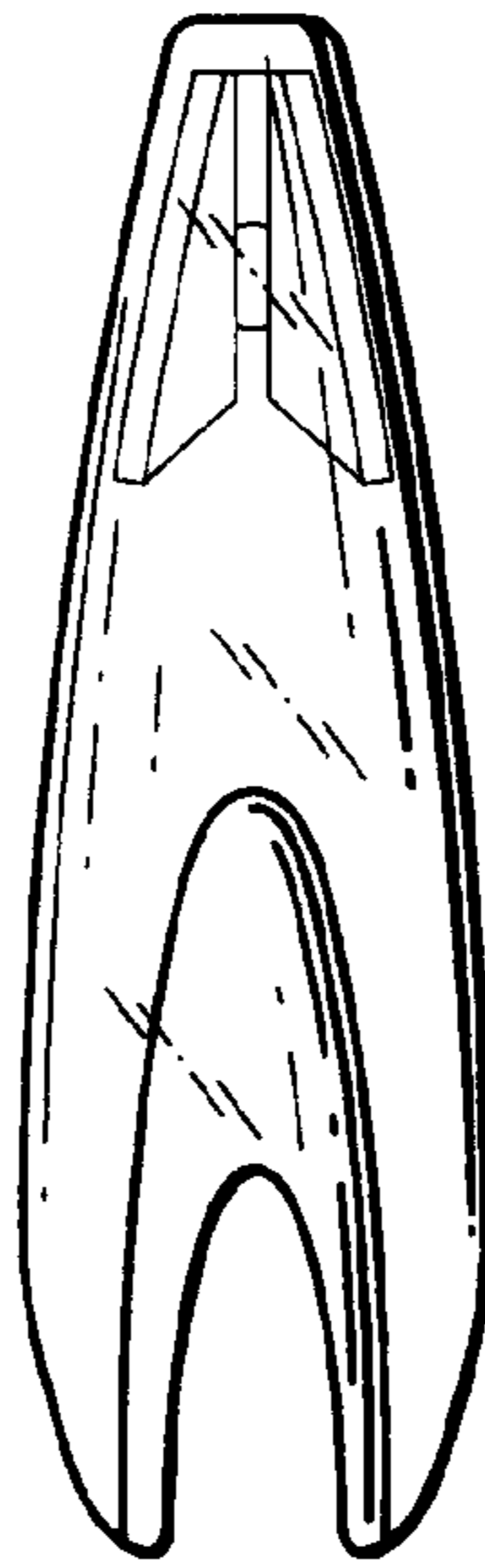


FIG. 8