



US00D539342S

(12) **United States Design Patent**  
**Katsuyama et al.**

(10) **Patent No.:** **US D539,342 S**  
(45) **Date of Patent:** **\*\* Mar. 27, 2007**

(54) **PRINTER INK CARTRIDGE**

(75) Inventors: **Goro Katsuyama**, Kanagawa (JP);  
**Osamu Miki**, Kanagawa (JP); **Kanae Amemiya**, Tokyo (JP); **Masaaki Kabumoto**, Chiba (JP)

(73) Assignee: **Ricoh Company, Ltd.**, Tokyo (JP)

(\*\*) Term: **14 Years**

(21) Appl. No.: **29/262,305**

(22) Filed: **Jun. 30, 2006**

D493,819 S	8/2004	Katsuyama	
D494,616 S	8/2004	Katsuyama et al.	
D494,617 S	8/2004	Katsuyama	
D497,383 S	10/2004	Katsuyama et al.	
D497,635 S	10/2004	Katsuyama	
D500,787 S	* 1/2005	Yamada et al. ....	D18/56
D501,504 S	* 2/2005	Yamada et al. ....	D18/56
D518,516 S	4/2006	Katsuyama	
2004/0160481 A1	8/2004	Miyazawa et al.	
2004/0165043 A1	8/2004	Sakai et al.	
2004/0165045 A1	8/2004	Sakai et al.	
2004/0169708 A1	9/2004	Ichihashi et al.	
2004/0174418 A1	9/2004	Toba et al.	
2005/0157109 A1	7/2005	Muranaka et al.	
2005/0158110 A1	7/2005	Silverbrook et al.	

**Related U.S. Application Data**

(63) Continuation of application No. 29/204,765, filed on May 5, 2004, now abandoned.

(30) **Foreign Application Priority Data**

Nov. 13, 2003 (JP) ..... 2003-033944

(51) **LOC (8) Cl.** ..... **18-02**

(52) **U.S. Cl.** ..... **D18/56; 347/86**

(58) **Field of Classification Search** ..... D18/12,  
D18/40, 43, 56; D14/481, 483; 347/29, 33,  
347/49-50, 86-87, 178, 214; 399/25, 110  
See application file for complete search history.

(56) **References Cited**

**U.S. PATENT DOCUMENTS**

D281,333 S	11/1985	Nibley et al.	
D431,259 S	9/2000	Muranaka	
D462,384 S	* 9/2002	Sasaki et al. ....	D18/56
D466,151 S	11/2002	Shinada et al.	
D477,020 S	7/2003	Seino	
D488,504 S	* 4/2004	Yamada et al. ....	D18/56

**FOREIGN PATENT DOCUMENTS**

JP 1185385 9/2003

\* cited by examiner

*Primary Examiner*—Cathy Anne MacCormac

(74) *Attorney, Agent, or Firm*—Dickstein Shapiro LLP

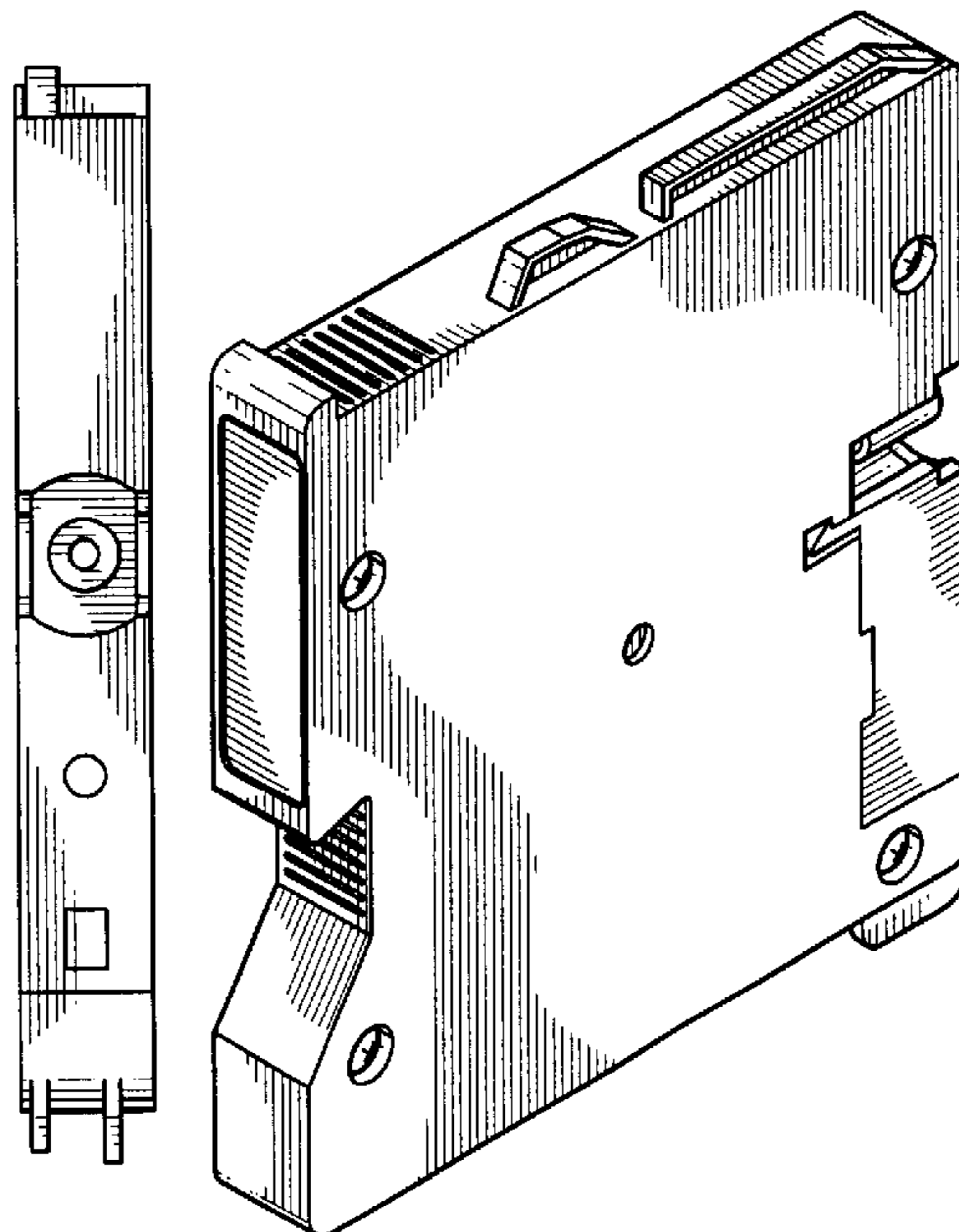
(57) **CLAIM**

The ornamental design for a printer ink cartridge, as shown and described.

**DESCRIPTION**

FIG. 1 is a front elevation of a printer ink cartridge according to the present invention;  
FIG. 2 is a rear elevation thereof;  
FIG. 3 is a top plan view thereof;  
FIG. 4 is a bottom plan view thereof;  
FIG. 5 is a right side elevation thereof;  
FIG. 6 is a left side elevation thereof; and,  
FIG. 7 is a top, front and right side perspective view thereof.

**1 Claim, 4 Drawing Sheets**



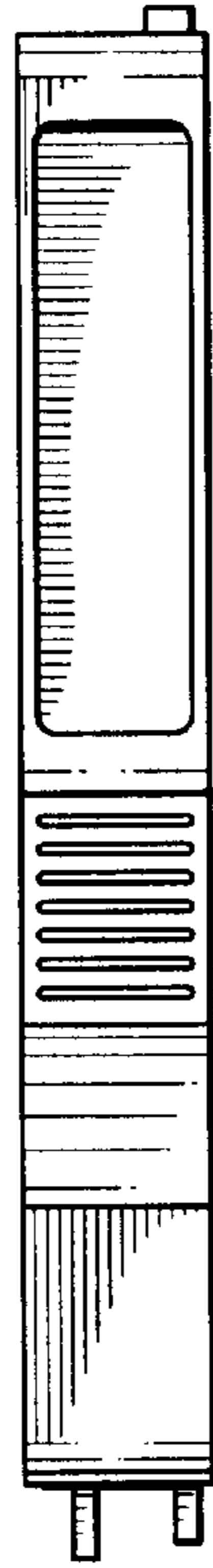


FIG. 1

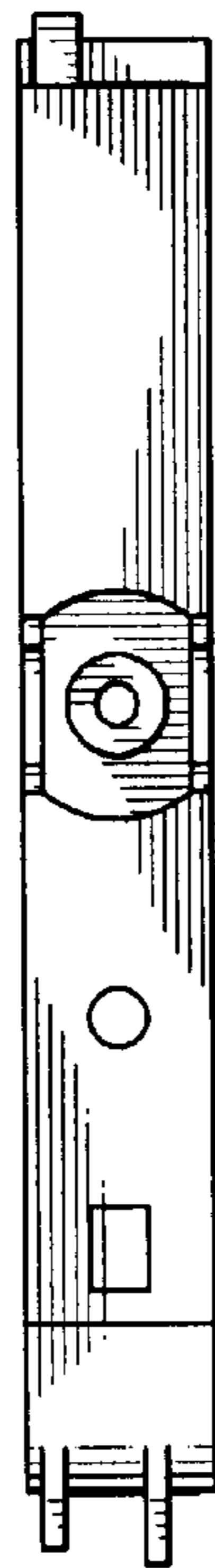


FIG. 2



FIG. 3

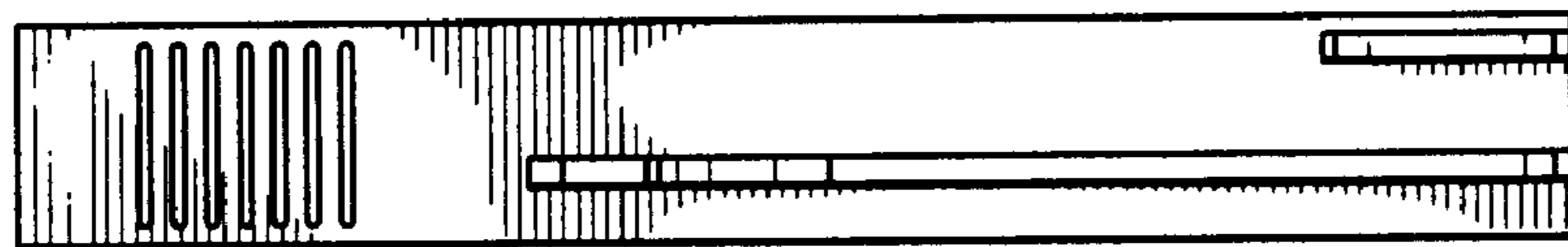


FIG. 4

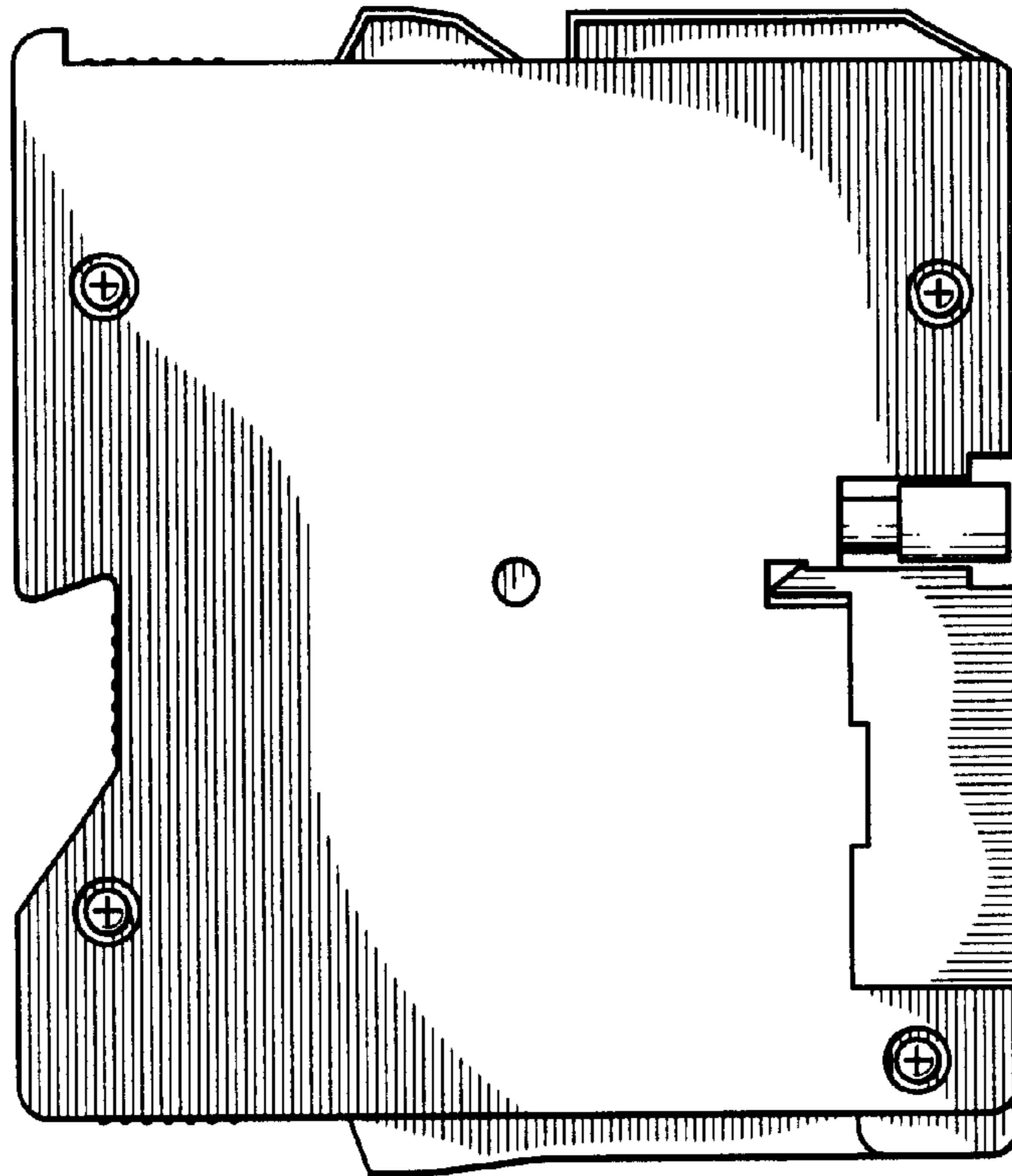


FIG. 5

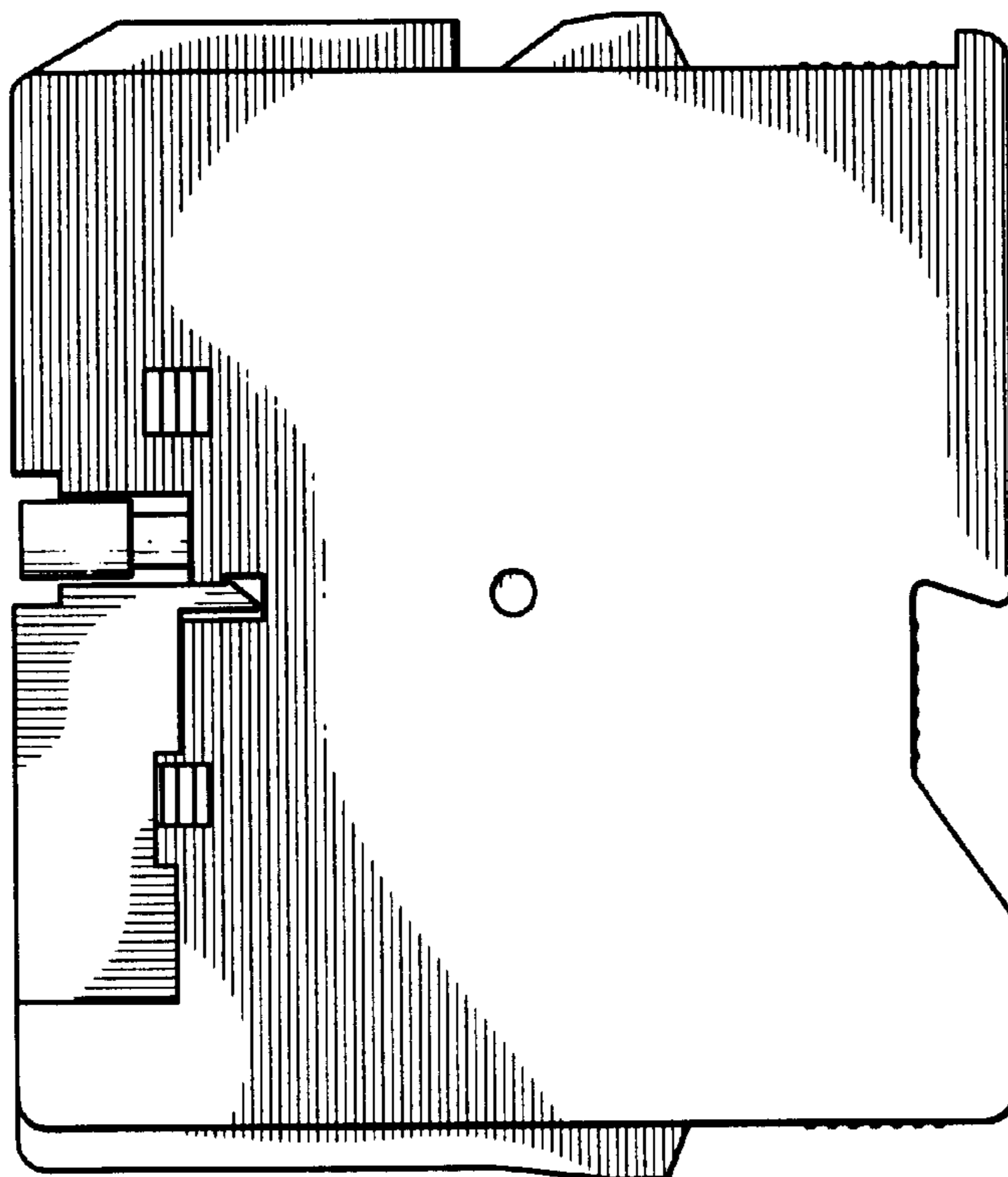


FIG. 6

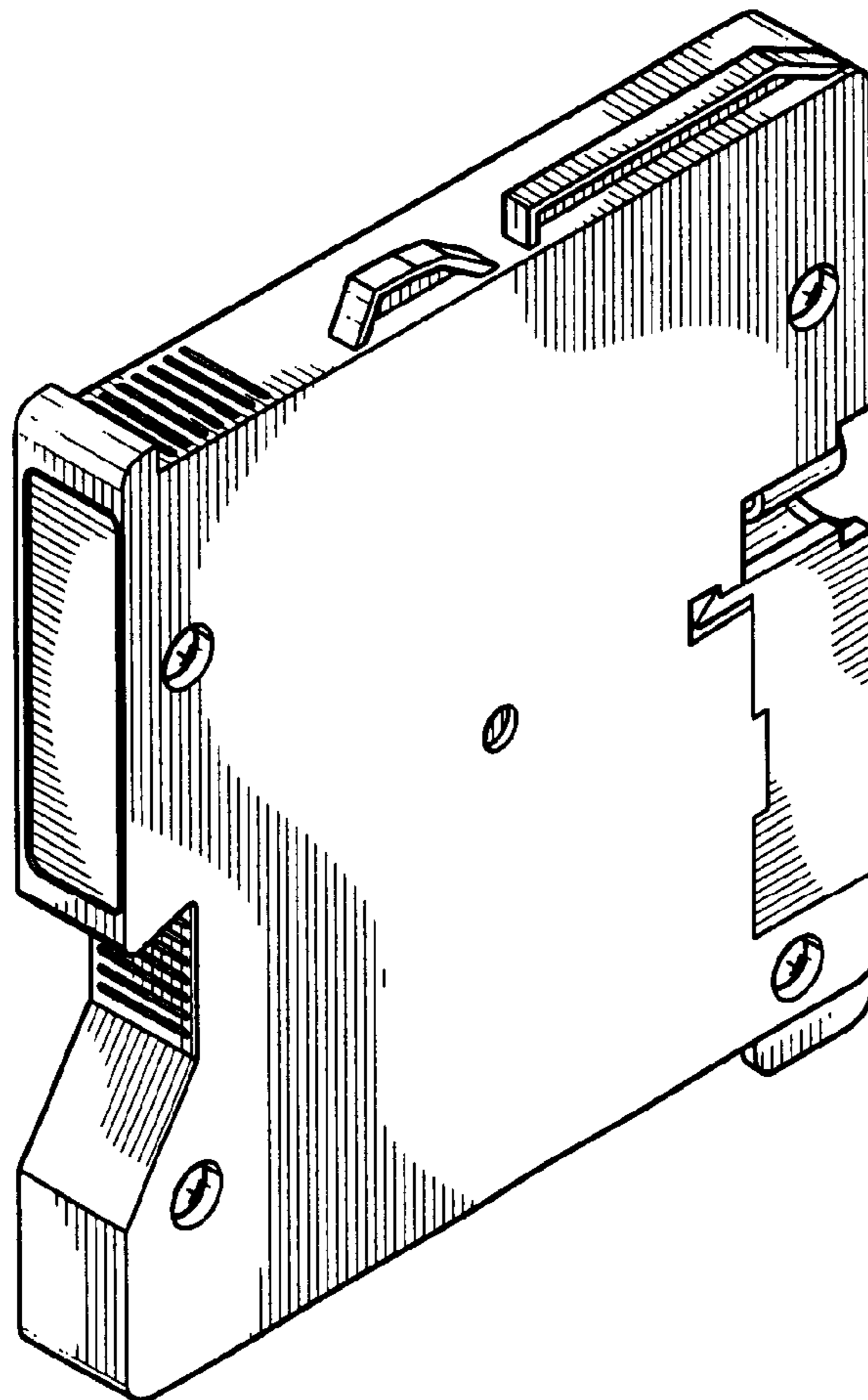


FIG. 7