



US00D539341S

(12) **United States Design Patent**  
**Hattori et al.**

(10) **Patent No.:** **US D539,341 S**

(45) **Date of Patent:** **\*\* Mar. 27, 2007**

(54) **INK CARTRIDGE**

(75) Inventors: **Shingo Hattori**, Tsushima (JP);  
**Toyonori Sasaki**, Anjyo (JP);  
**Tomohiro Kanbe**, Nagoya (JP)

(73) Assignee: **Brother Industries, Ltd.**, Nagoya (JP)

(\*\*) Term: **14 Years**

(21) Appl. No.: **29/256,706**

(22) Filed: **Mar. 24, 2006**

(30) **Foreign Application Priority Data**

Nov. 18, 2005 (JP) ..... 2005-034119

(51) **LOC (8) Cl.** ..... **18-02**

(52) **U.S. Cl.** ..... **D18/56; 347/86**

(58) **Field of Classification Search** ..... D18/12,  
D18/40, 43, 56; D14/481, 483; 347/29, 33,  
347/49-50, 86-87, 178, 214; 399/25, 110  
See application file for complete search history.

(56) **References Cited**

**U.S. PATENT DOCUMENTS**

- D361,591 S \* 8/1995 Tokuda et al. .... D18/56
- 5,541,631 A \* 7/1996 Hashimoto ..... 347/86
- 5,666,146 A \* 9/1997 Mochizuki et al. .... 347/86
- D447,169 S \* 8/2001 Okubo et al. .... D18/56
- D447,513 S \* 9/2001 Miyazawa et al. .... D18/56

- D468,347 S \* 1/2003 Yamada et al. .... D18/56
- D468,768 S \* 1/2003 Yamada et al. .... D18/56
- D477,020 S \* 7/2003 Seino ..... D18/56
- D489,757 S \* 5/2004 Matsumoto ..... D18/56
- D522,049 S \* 5/2006 Ishizawa et al. .... D18/56

\* cited by examiner

*Primary Examiner*—Cathy Anne MacCormac

(74) *Attorney, Agent, or Firm*—Oliff & Berridge, PLC

(57) **CLAIM**

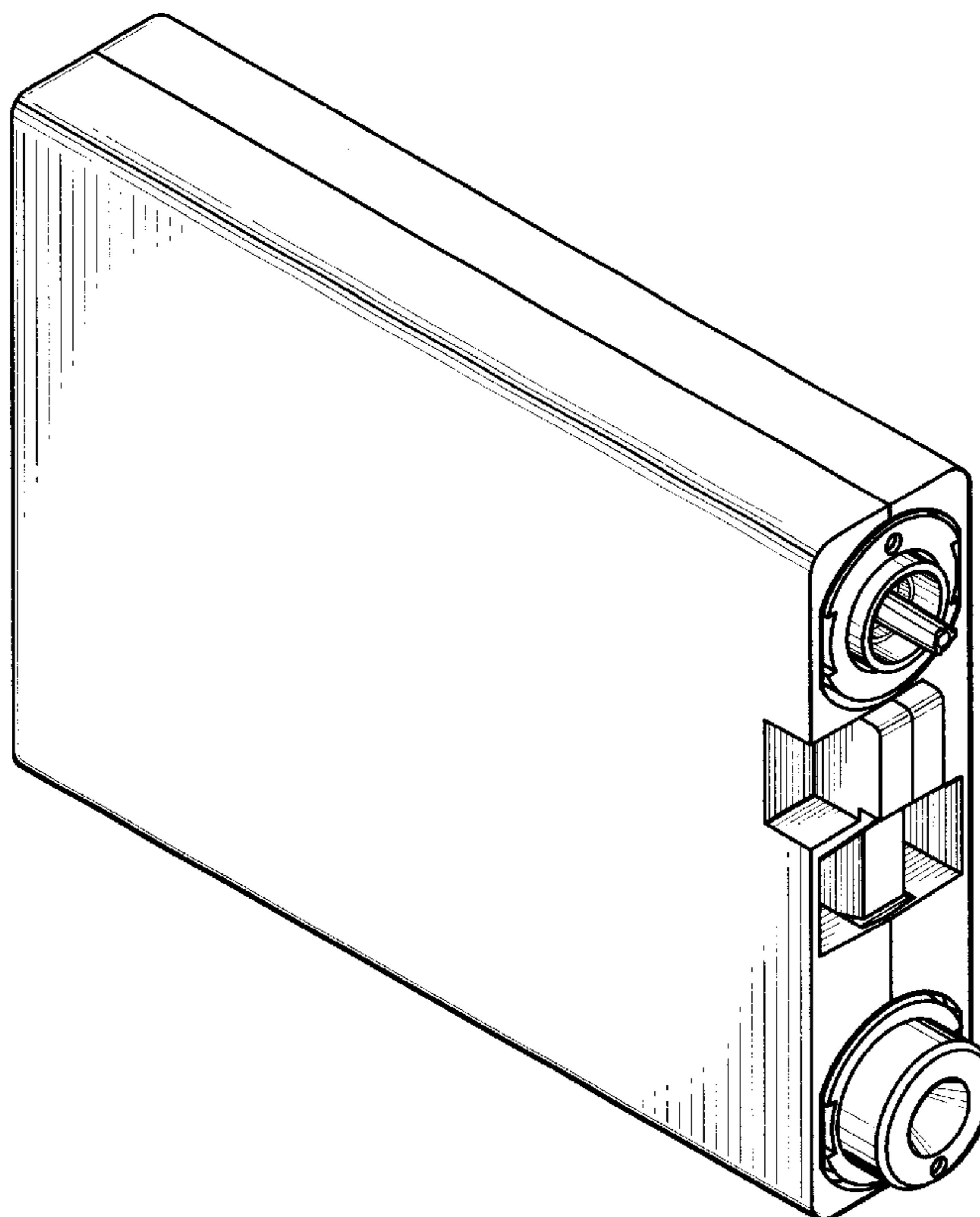
The ornamental design for an ink cartridge, as shown and described.

**DESCRIPTION**

FIG. 1 is a perspective view of an ink cartridge;  
 FIG. 2 is a front view thereof;  
 FIG. 3 is a top view thereof;  
 FIG. 4 is a right side view thereof;  
 FIG. 5 is a left side view thereof;  
 FIG. 6 is a rear view thereof;  
 FIG. 7 is a bottom view thereof;  
 FIG. 8 is an enlarged partial cross-sectional view thereof taken along the line 8—8 of FIG. 4; and,  
 FIG. 9 is an enlarged partial section view thereof taken along the line 9—9 of FIG. 4.

The broken lines are for illustrative purposes only and form no part of the claimed design.

**1 Claim, 6 Drawing Sheets**



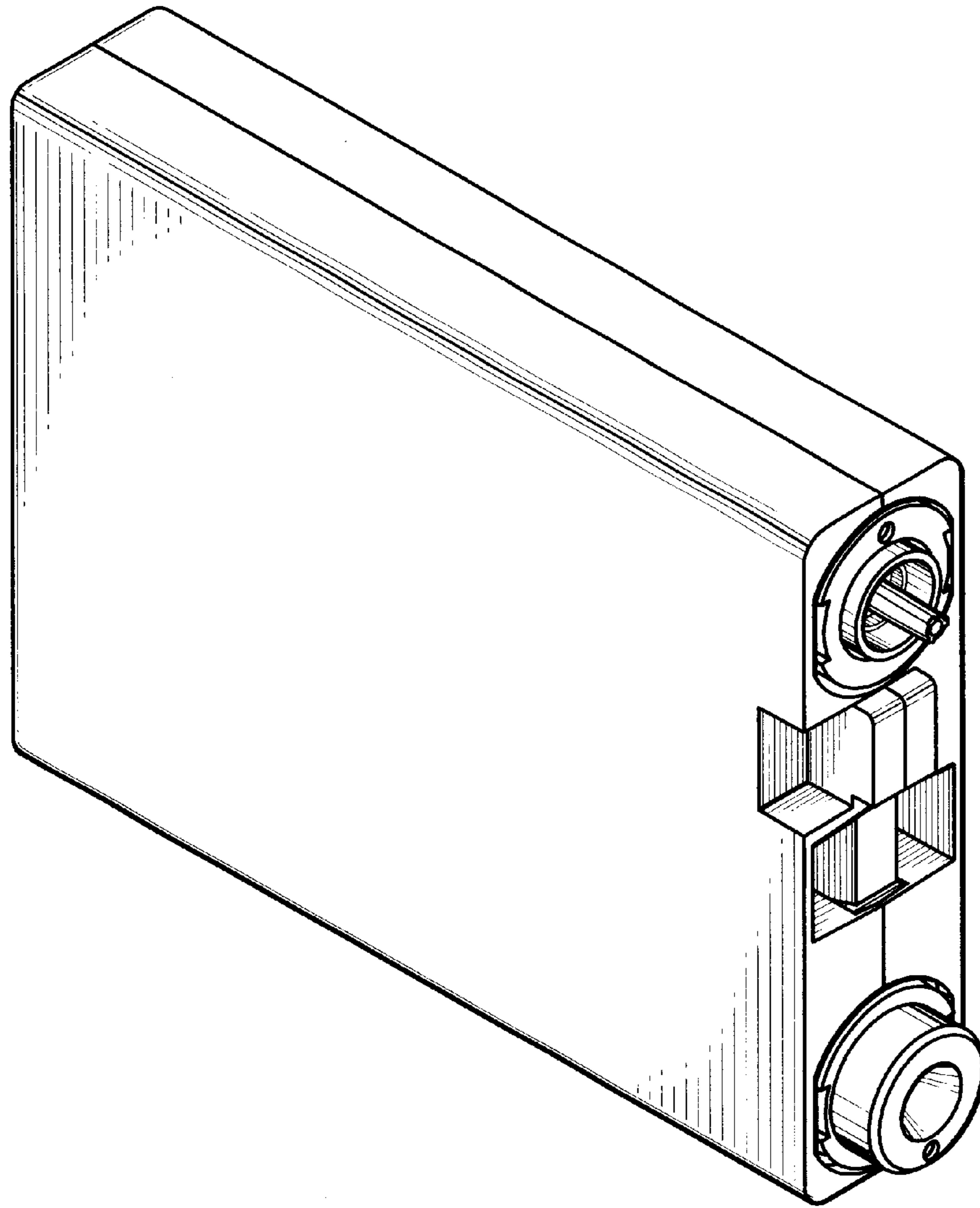


FIG. 1

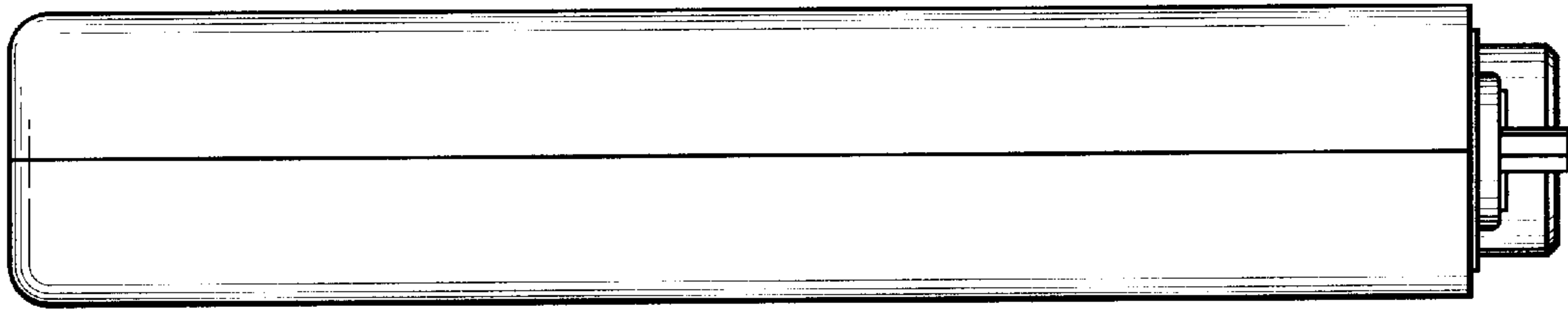


FIG. 3

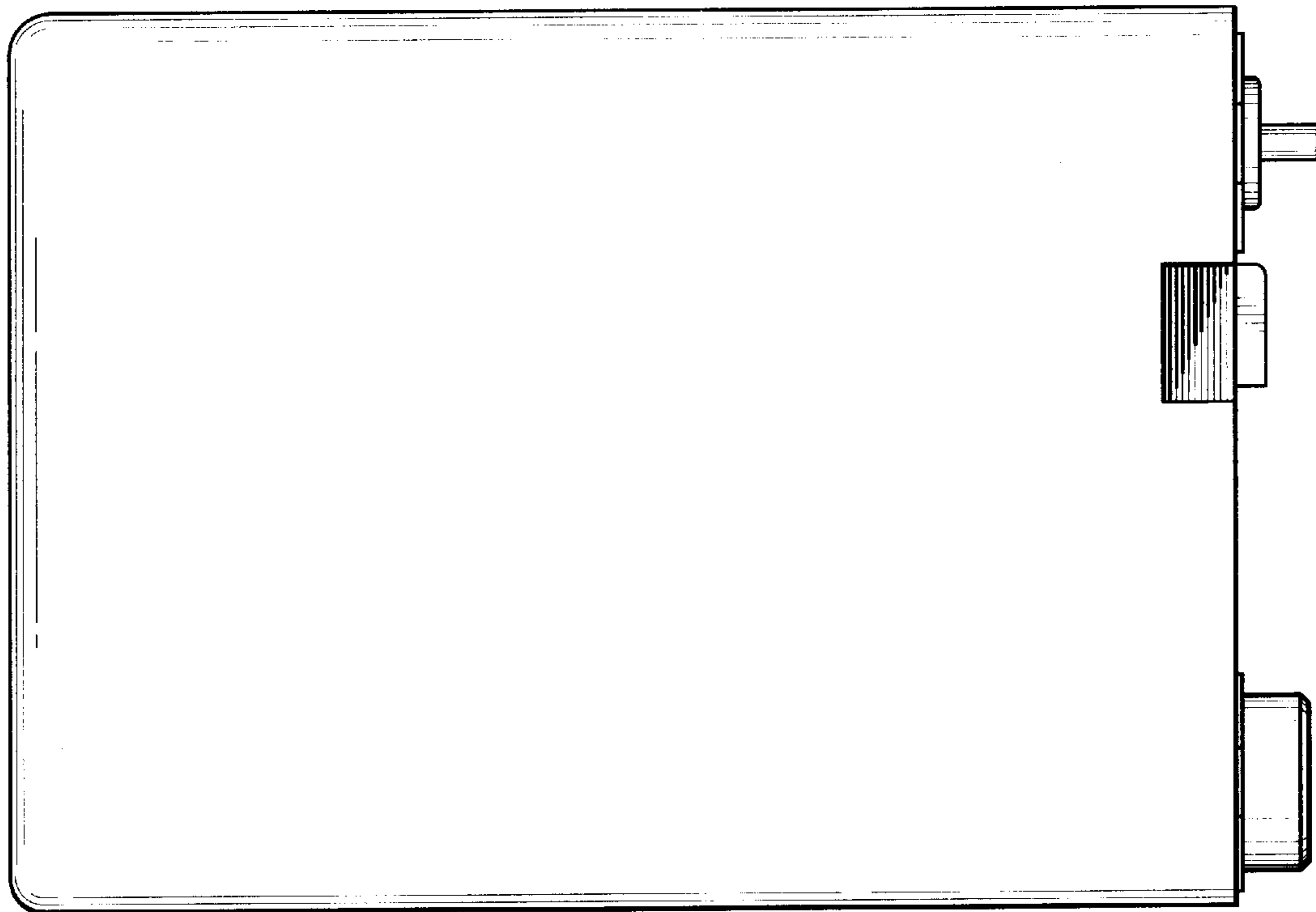


FIG. 2

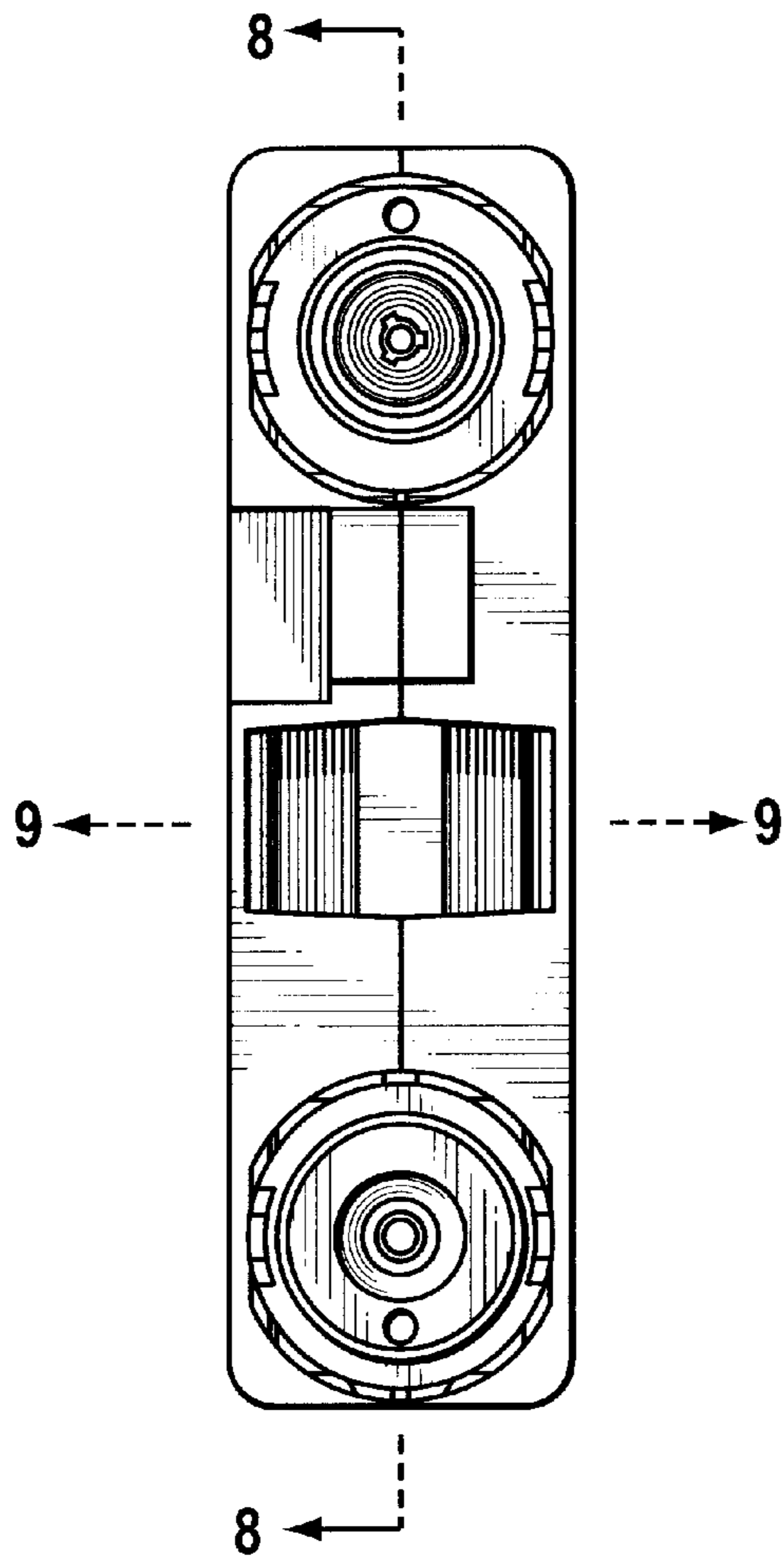


FIG. 4

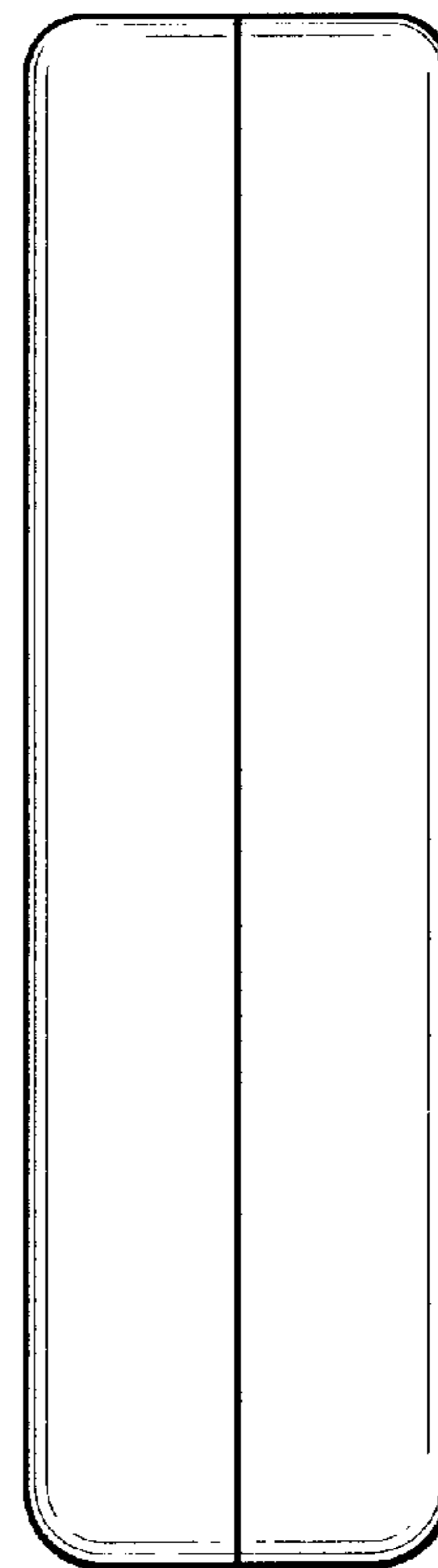


FIG. 5

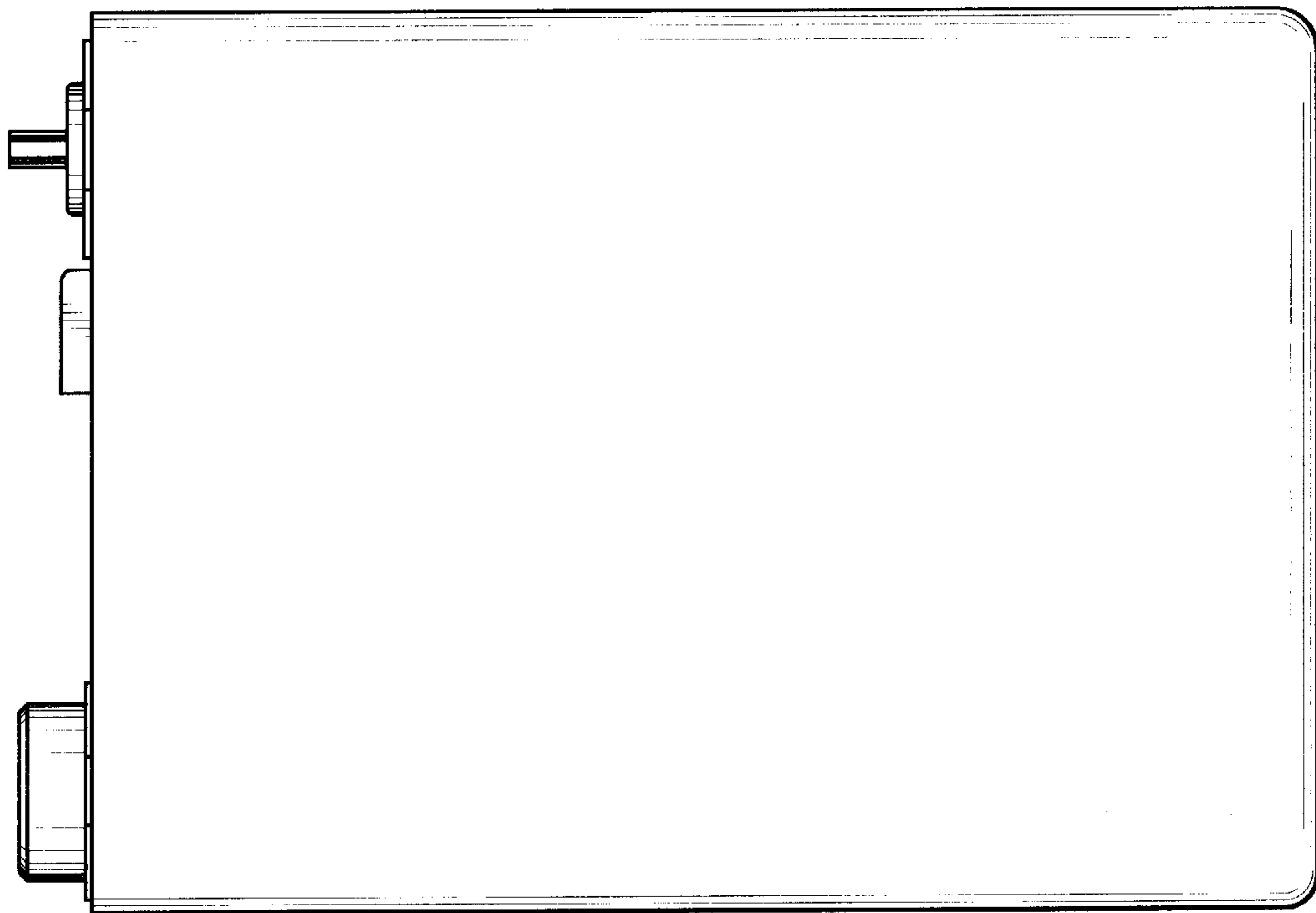


FIG. 6

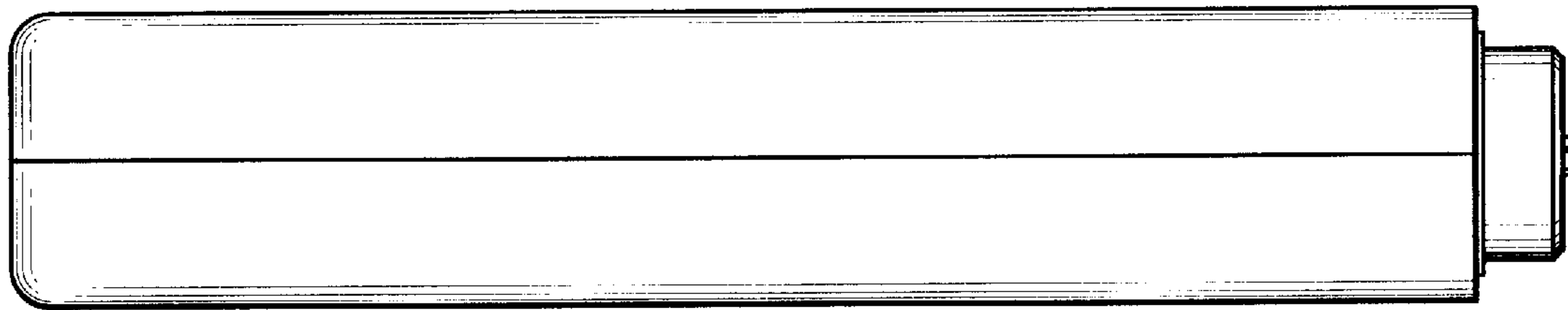


FIG. 7

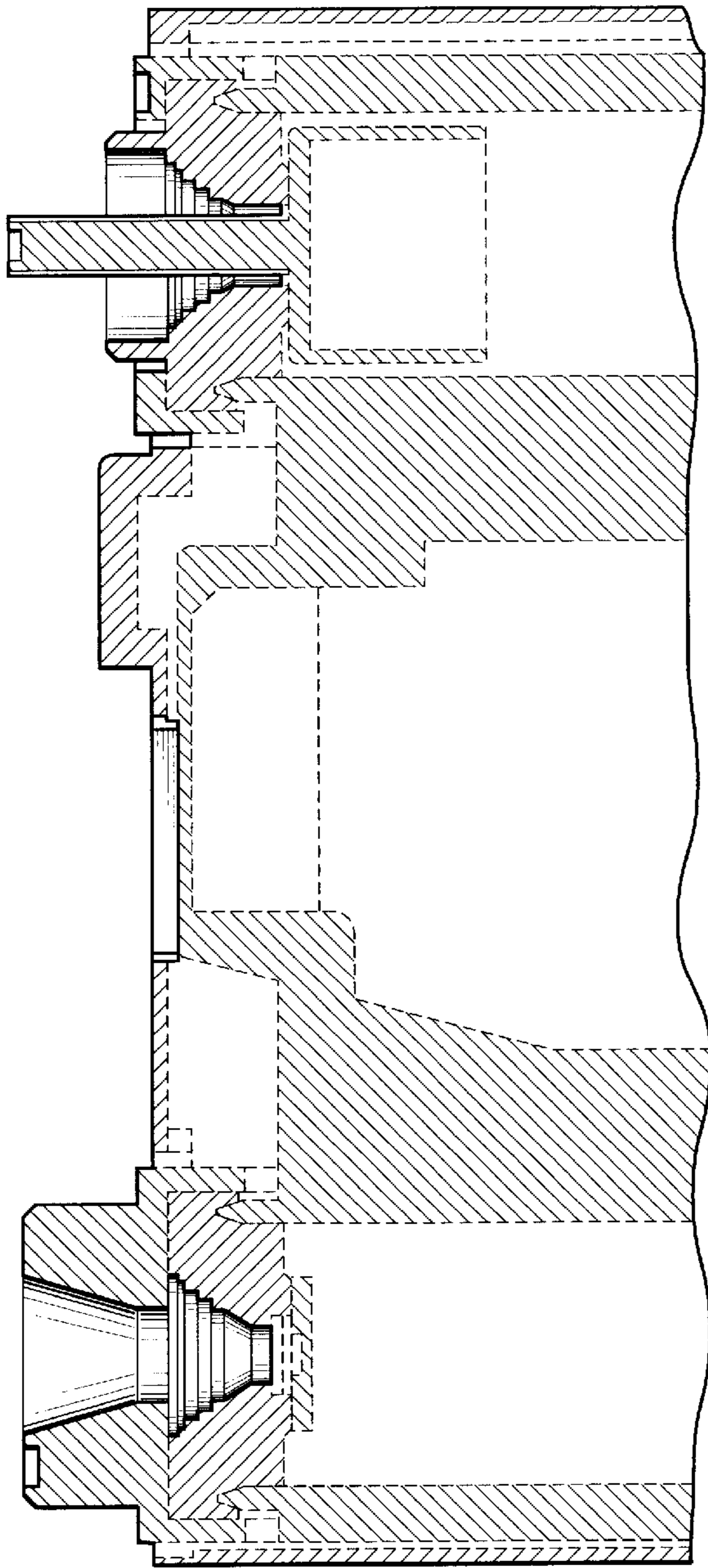


FIG. 8

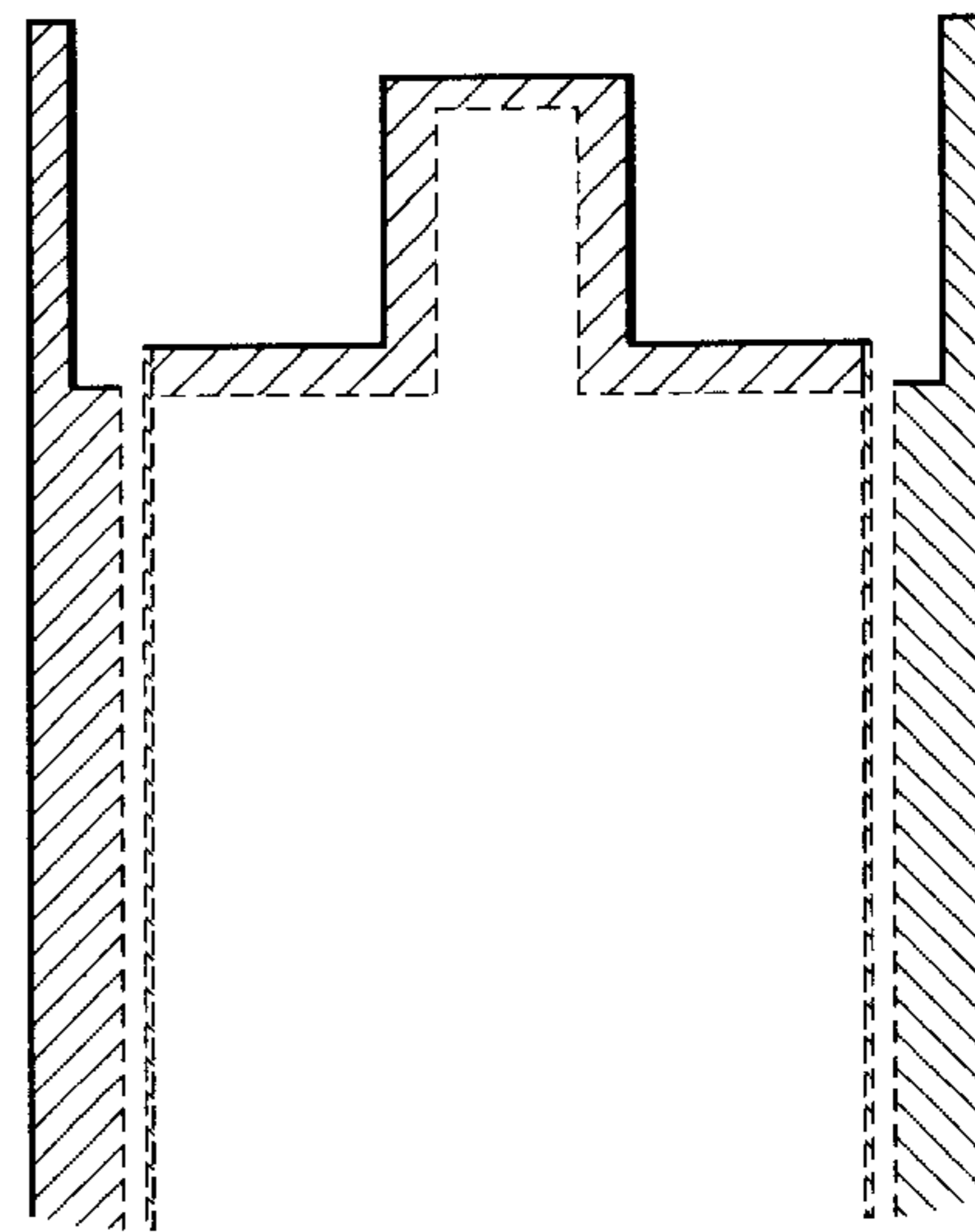


FIG. 9