

US00D539340S

(12) **United States Design Patent**  
**Shibata et al.**

(10) **Patent No.:** **US D539,340 S**

(45) **Date of Patent:** **\*\* Mar. 27, 2007**

(54) **PRINT HEAD FOR PRINTER**

(75) Inventors: **Sachio Shibata**, Kanagawa (JP);  
**Michiharu Nishijima**, Kanagawa (JP)

(73) Assignee: **Graphtec Corporation**, Yokohama (JP)

(\*\*) Term: **14 Years**

(21) Appl. No.: **29/256,215**

(22) Filed: **Mar. 20, 2006**

(30) **Foreign Application Priority Data**

Oct. 28, 2005 (JP) ..... 2005-031577  
Oct. 28, 2005 (JP) ..... 2005-031578

(51) **LOC (8) Cl.** ..... **18-02**

(52) **U.S. Cl.** ..... **D18/56; 347/86**

(58) **Field of Classification Search** ..... D18/12,  
D18/40, 43, 56; D14/481, 483; 347/29, 33,  
347/49-50, 86-87, 178, 214; 399/25, 110  
See application file for complete search history.

(56) **References Cited**

**U.S. PATENT DOCUMENTS**

D373,138 S *	8/1996	Tokuda et al.	.....	D18/56
D376,172 S *	12/1996	Takenouchi et al.	.....	D18/56
5,606,352 A *	2/1997	Yamakawa et al.	.....	347/20
D380,490 S *	7/1997	Tashiro et al.	.....	D18/56
D383,777 S *	9/1997	Solero	.....	D18/56
D392,312 S *	3/1998	Inoue et al.	.....	D18/56
5,754,207 A *	5/1998	Gragg et al.	.....	347/86
5,774,149 A *	6/1998	Shimizu	.....	347/20
D409,236 S *	5/1999	Fujii et al.	.....	D18/56
6,130,696 A *	10/2000	Mashita et al.	.....	347/86
6,158,853 A *	12/2000	Olsen et al.	.....	347/86
D441,786 S *	5/2001	Kotaki et al.	.....	D18/56
6,422,691 B2 *	7/2002	Kobayashi et al.	.....	347/86
6,702,436 B2 *	3/2004	Haines et al.	.....	347/87
6,799,827 B2 *	10/2004	Scheffelin et al.	.....	347/20
6,981,763 B2 *	1/2006	Studer et al.	.....	347/86

7,090,341 B1 *	8/2006	Miyazawa	.....	347/85
2002/0171720 A1 *	11/2002	Hanaoka et al.	.....	347/86
2002/0180845 A1 *	12/2002	Barinaga et al.	.....	347/86
2004/0001128 A1 *	1/2004	Hung	.....	347/86
2005/0068387 A1 *	3/2005	Qingguo et al.	.....	347/86
2005/0151811 A1 *	7/2005	Shimizu et al.	.....	347/86

**FOREIGN PATENT DOCUMENTS**

JP D1084027 S 9/2000

\* cited by examiner

*Primary Examiner*—Cathy Anne Maccormac

(74) *Attorney, Agent, or Firm*—Jean C. Edwards, Esq.;  
Akerman Senterfitt

(57) **CLAIM**

The ornamental design for a print head for printer, as shown and described.

**DESCRIPTION**

FIG. 1 is a front, top and right side perspective view of a print head for printer showing our new design;  
 FIG. 2 is a front view thereof;  
 FIG. 3 is a rear view thereof;  
 FIG. 4 is a top plan view thereof;  
 FIG. 5 is a bottom view thereof;  
 FIG. 6 is a left side view thereof;  
 FIG. 7 is a right side view thereof;  
 FIG. 8 is a front, top and right side perspective view of a second embodiment of FIG. 1;  
 FIG. 9 is a front view of FIG. 8;  
 FIG. 10 is a rear view of FIG. 8;  
 FIG. 11 is a top plan view of FIG. 8;  
 FIG. 12 is a bottom view of FIG. 8;  
 FIG. 13 is a left side view of FIG. 8; and,  
 FIG. 14 is a right side view of FIG. 8.  
 The broken lines are for illustrative purposes only and form no part of the claimed design.

**1 Claim, 6 Drawing Sheets**

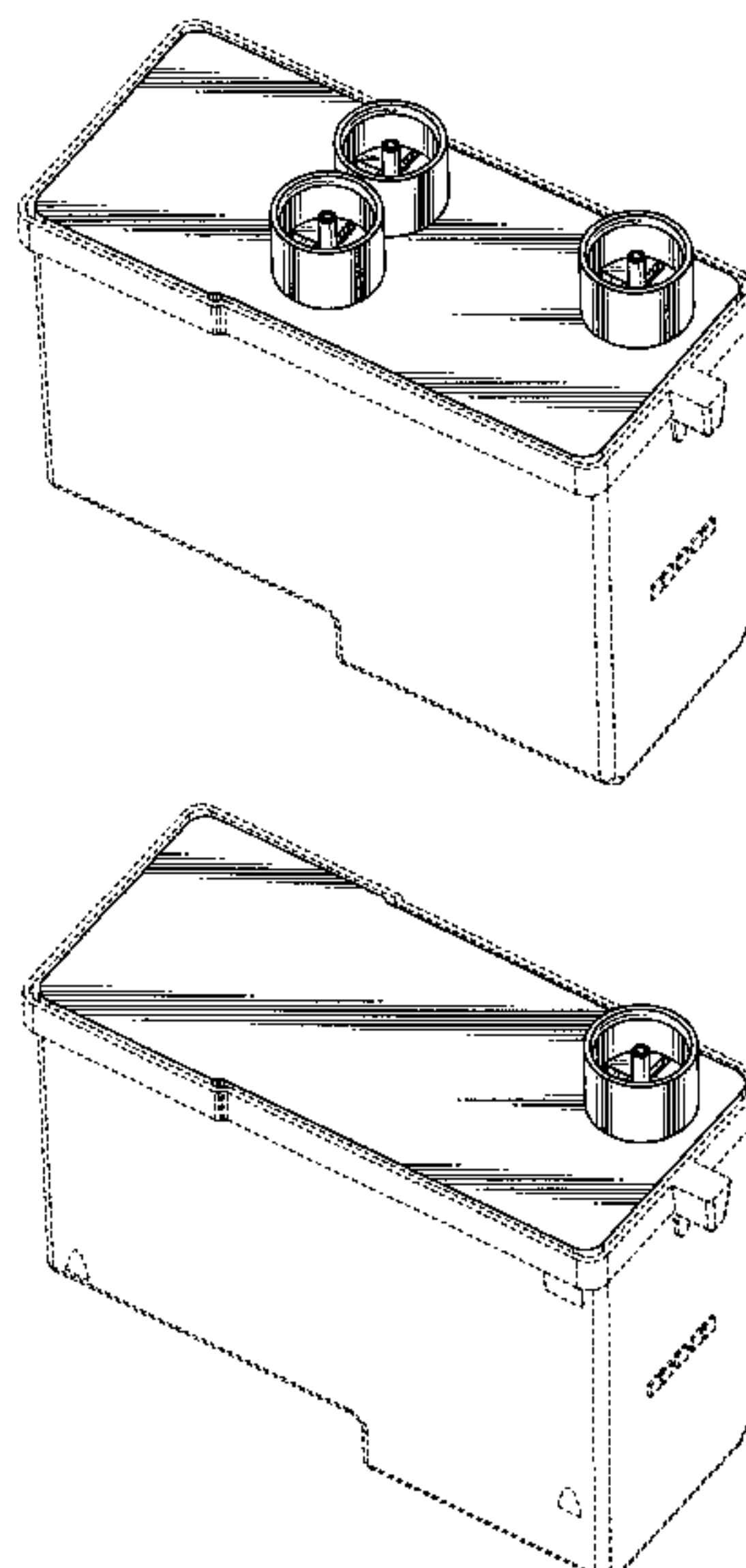


FIG. 1

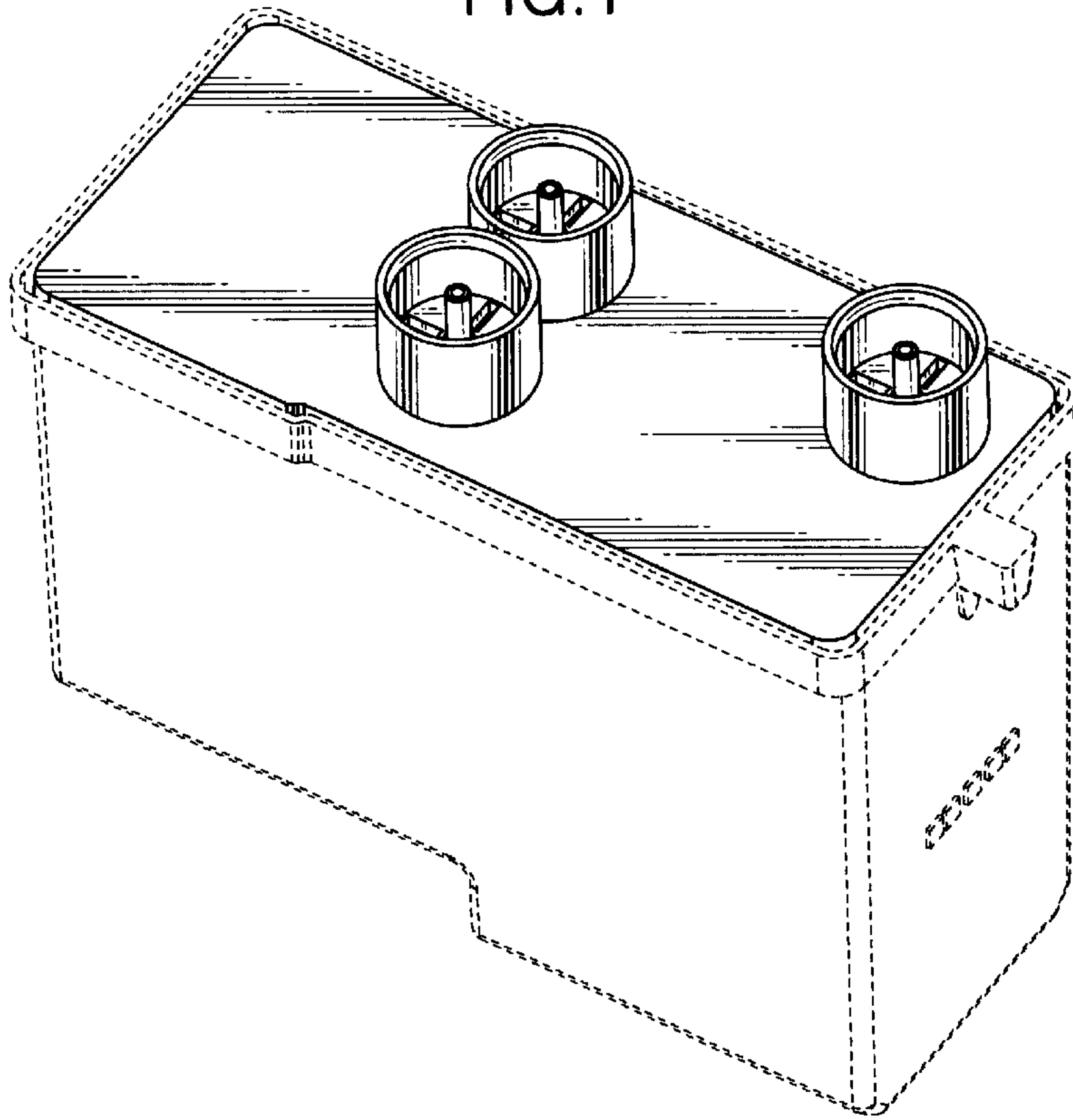


FIG. 2

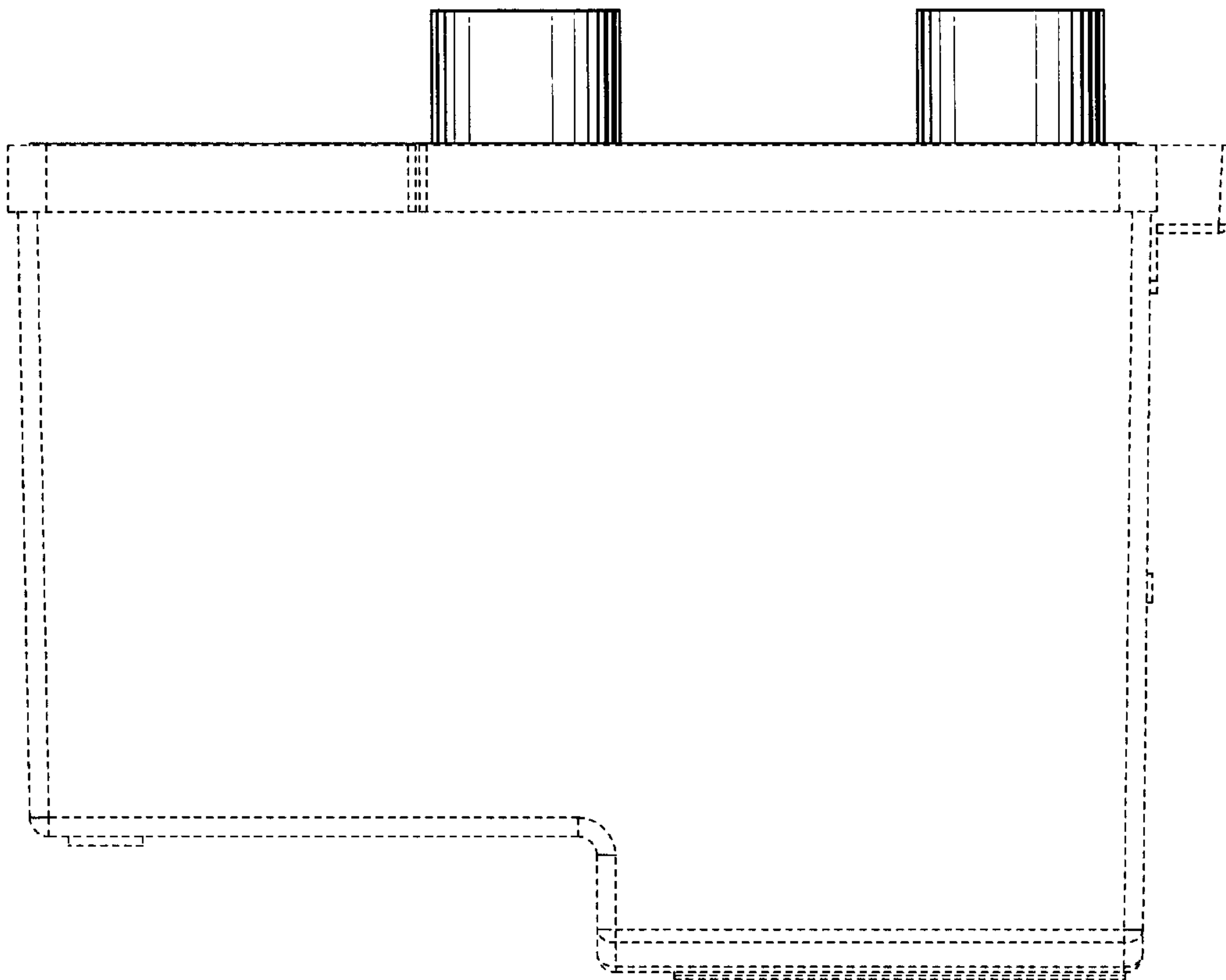


FIG.3

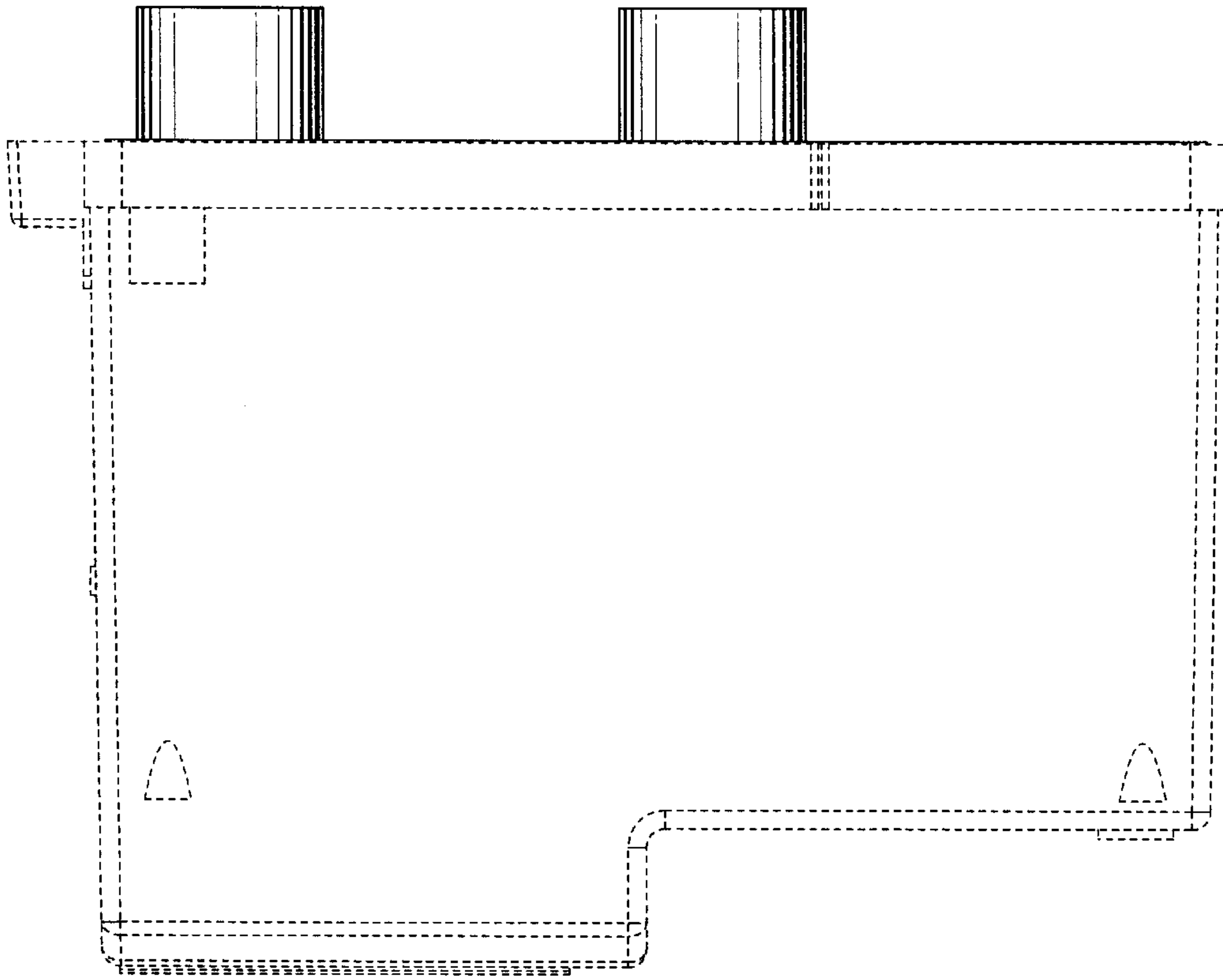


FIG.4

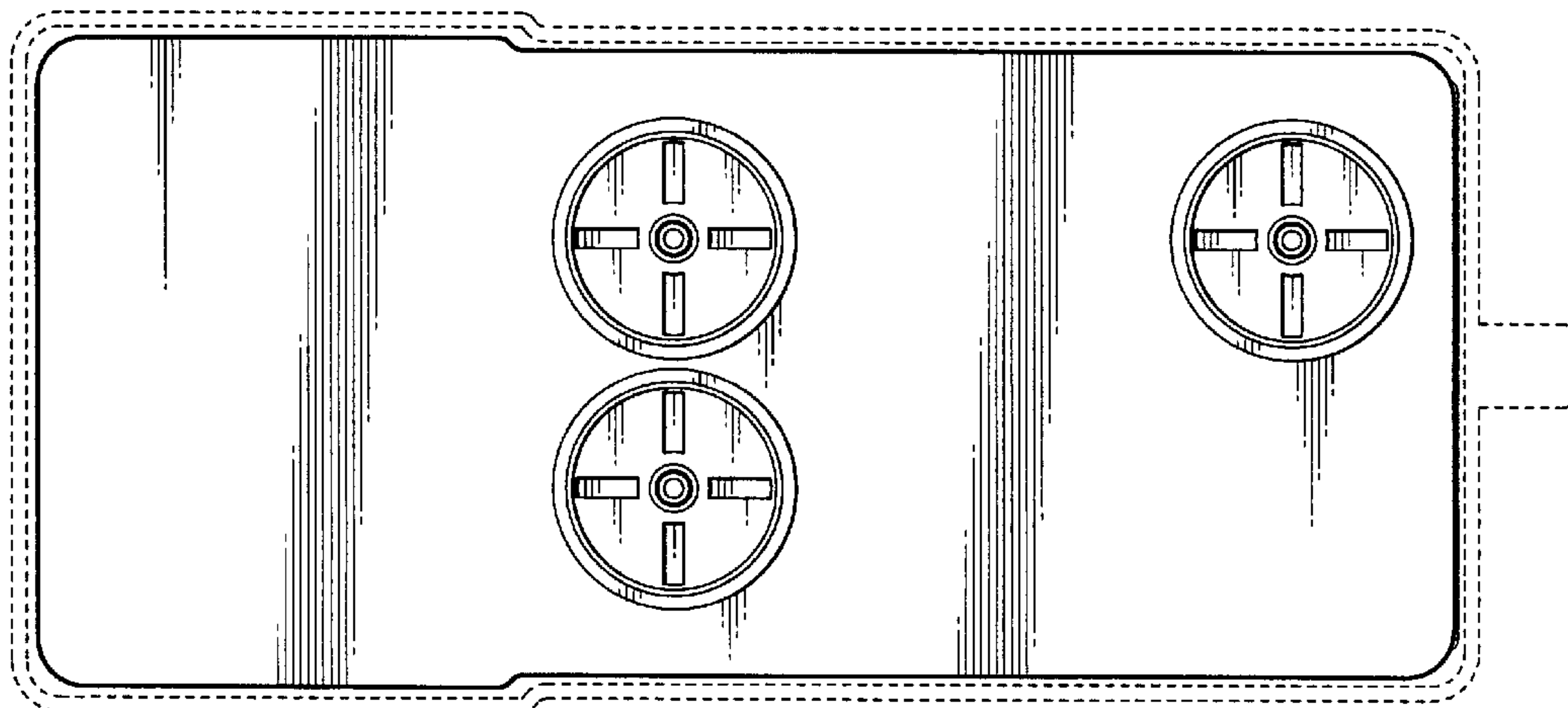


FIG.5

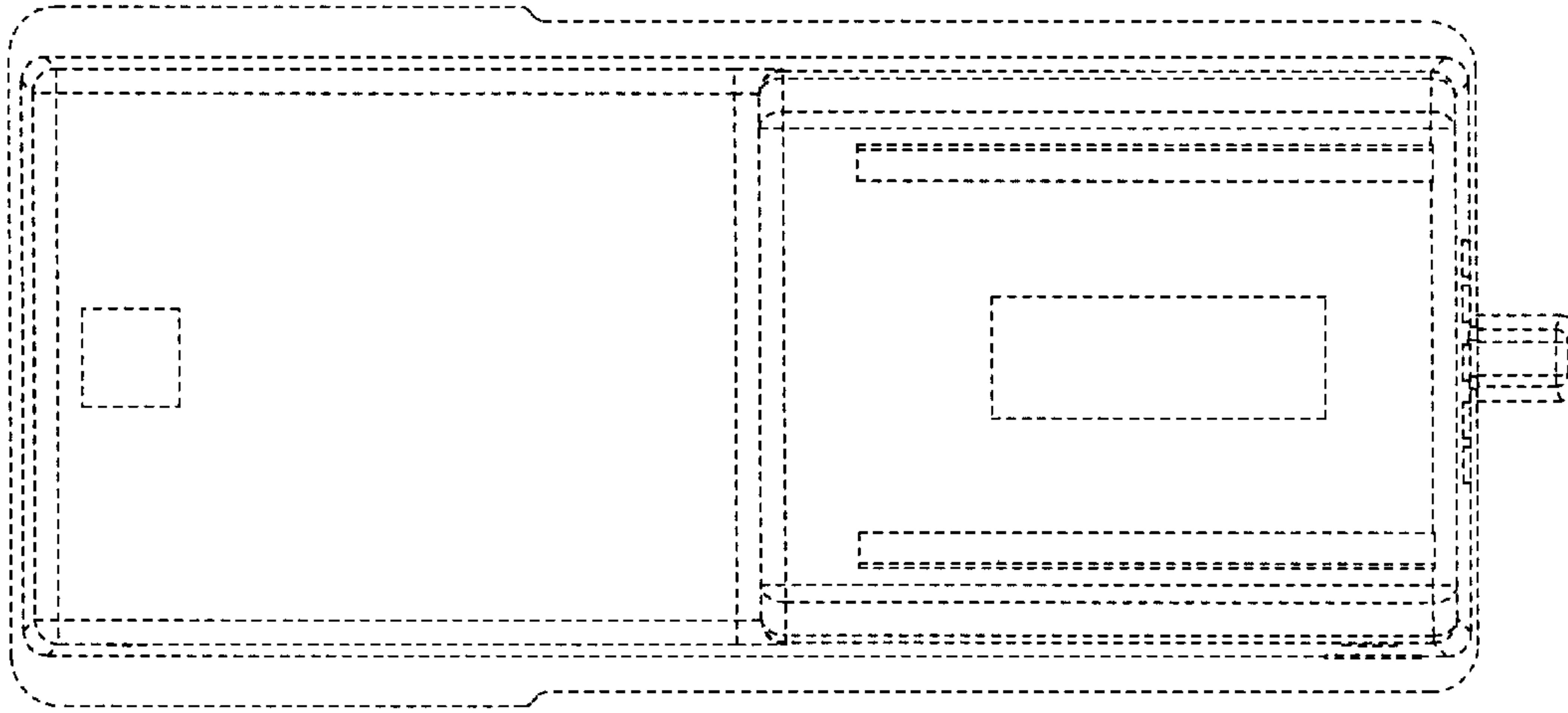


FIG.6

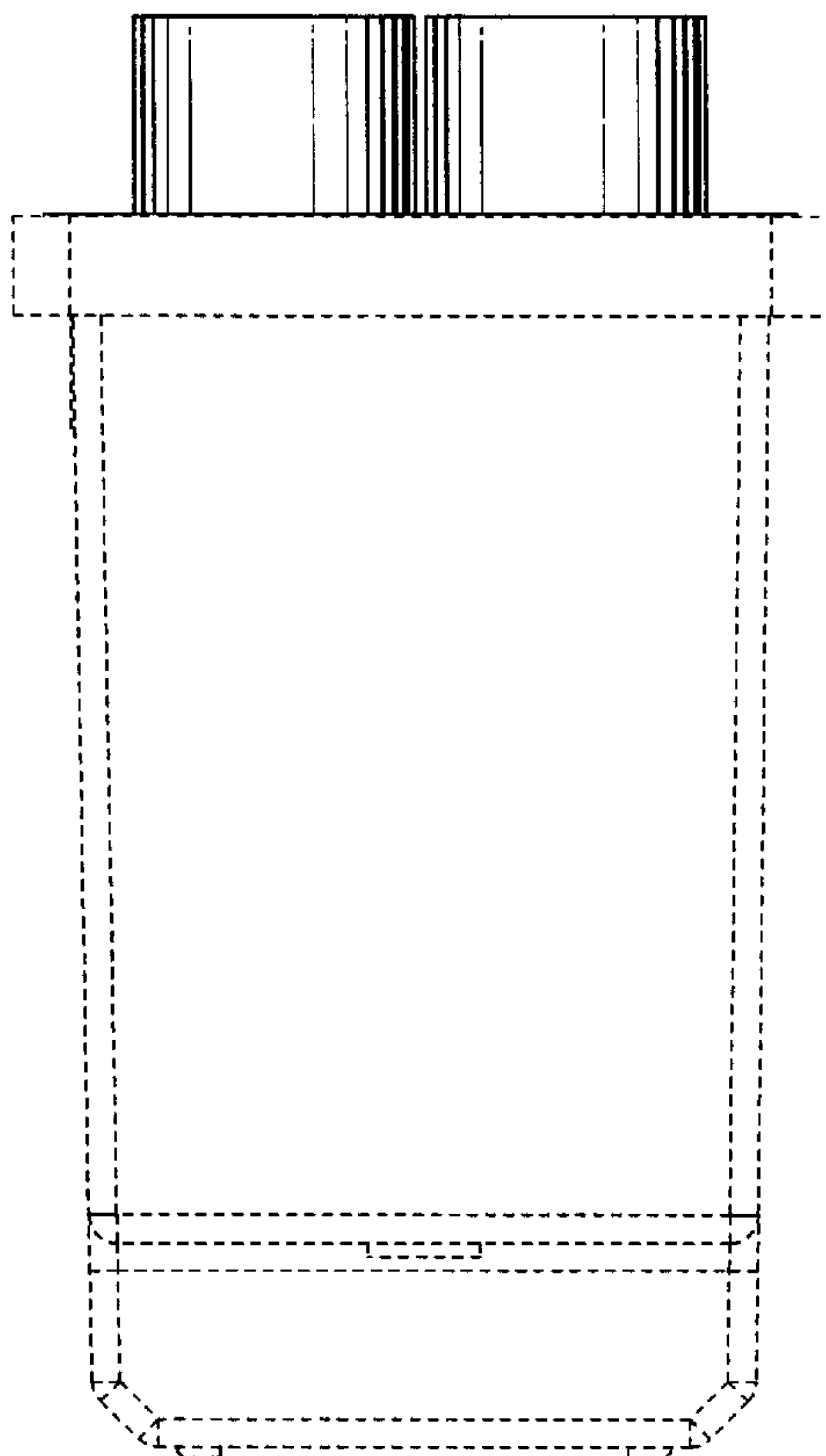


FIG.7

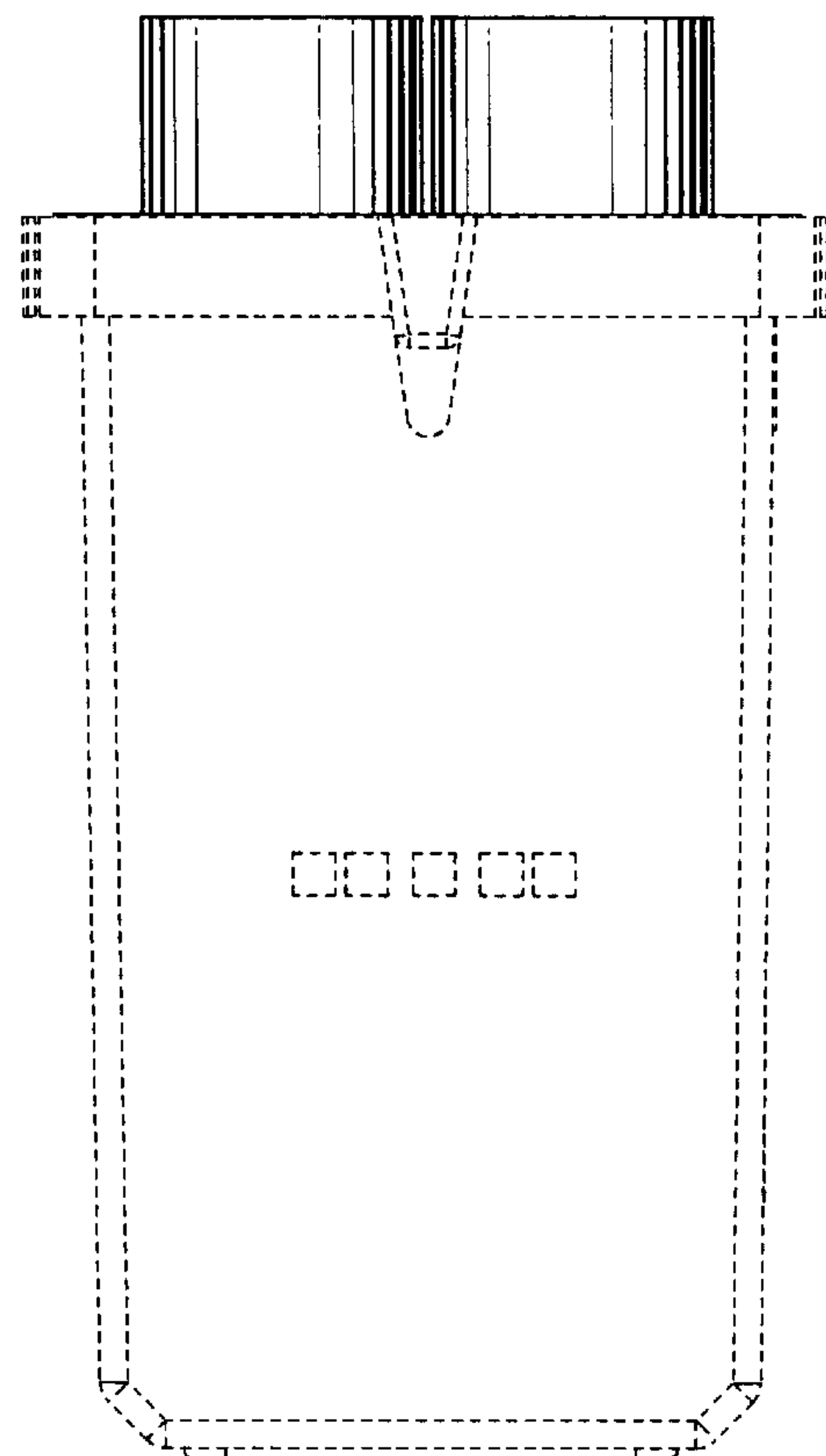


FIG.8

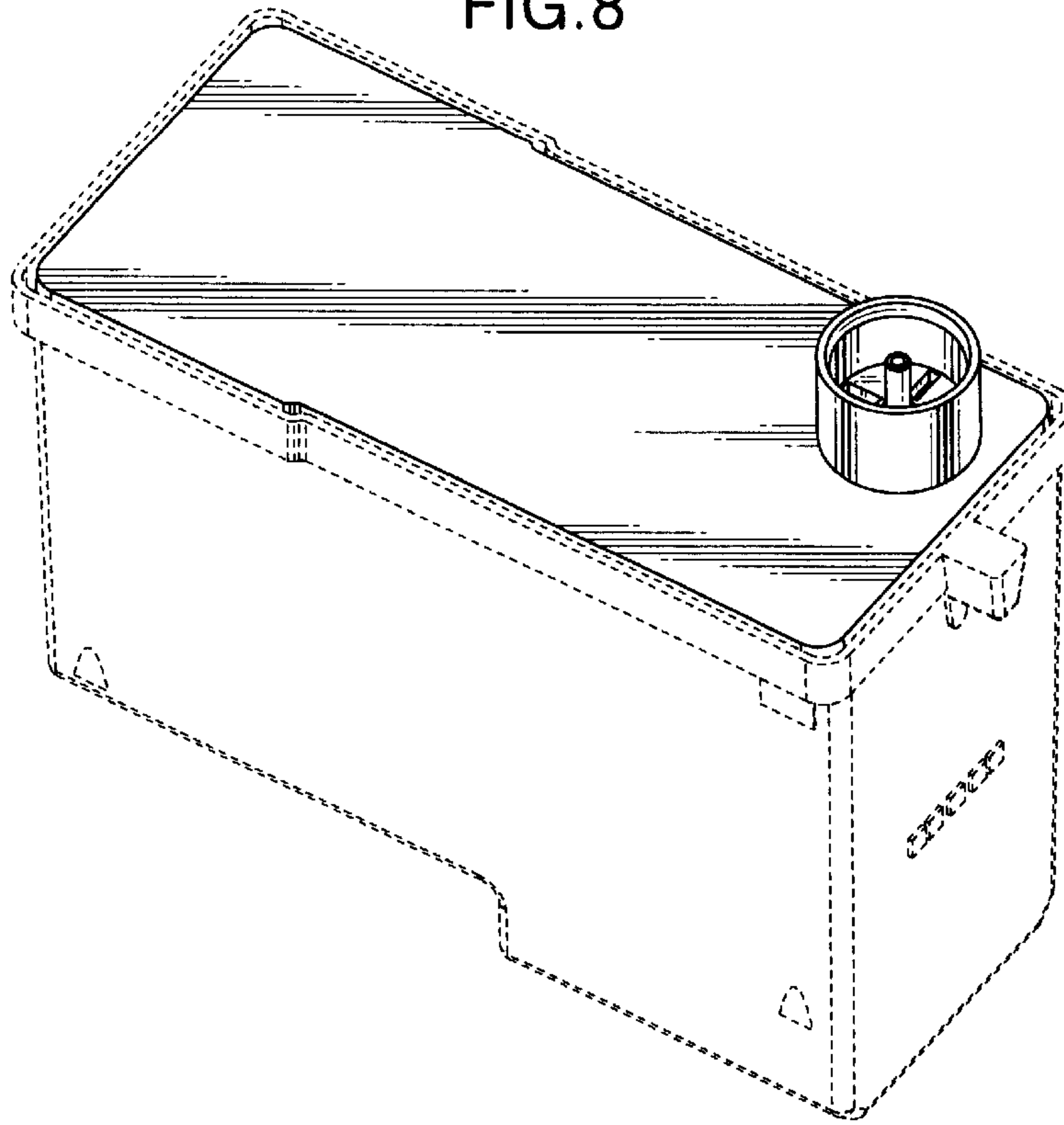


FIG.9

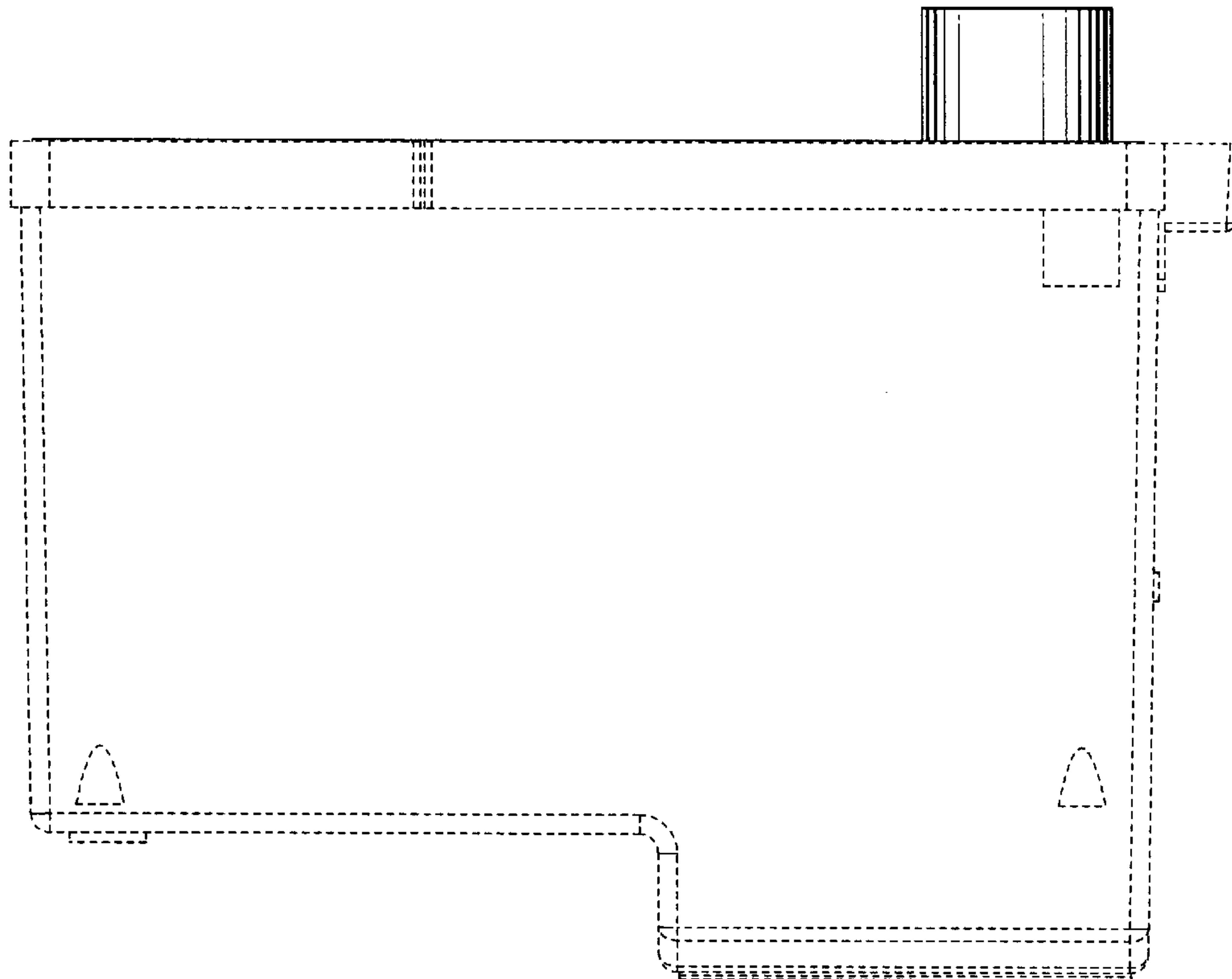




FIG.10

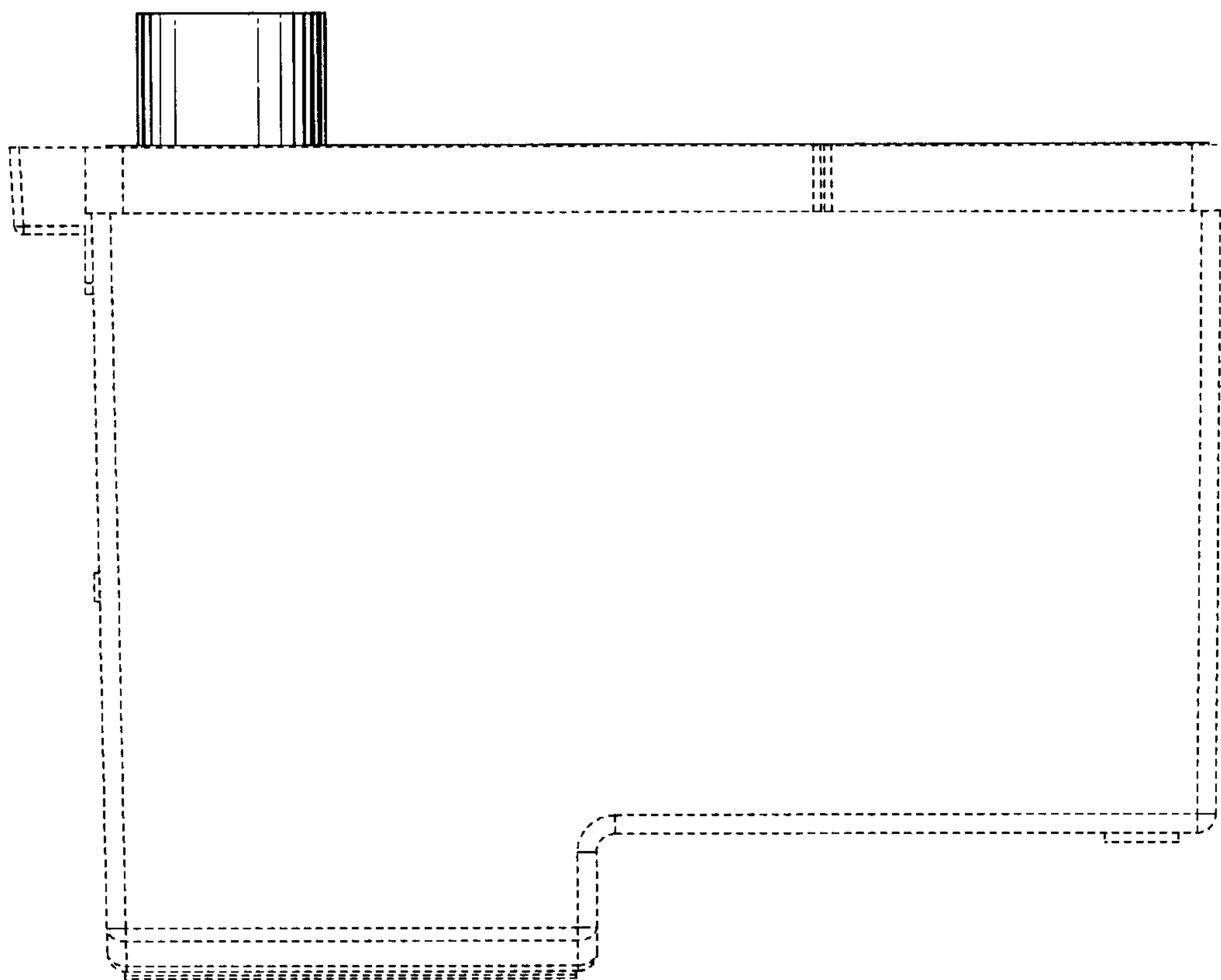


FIG.11

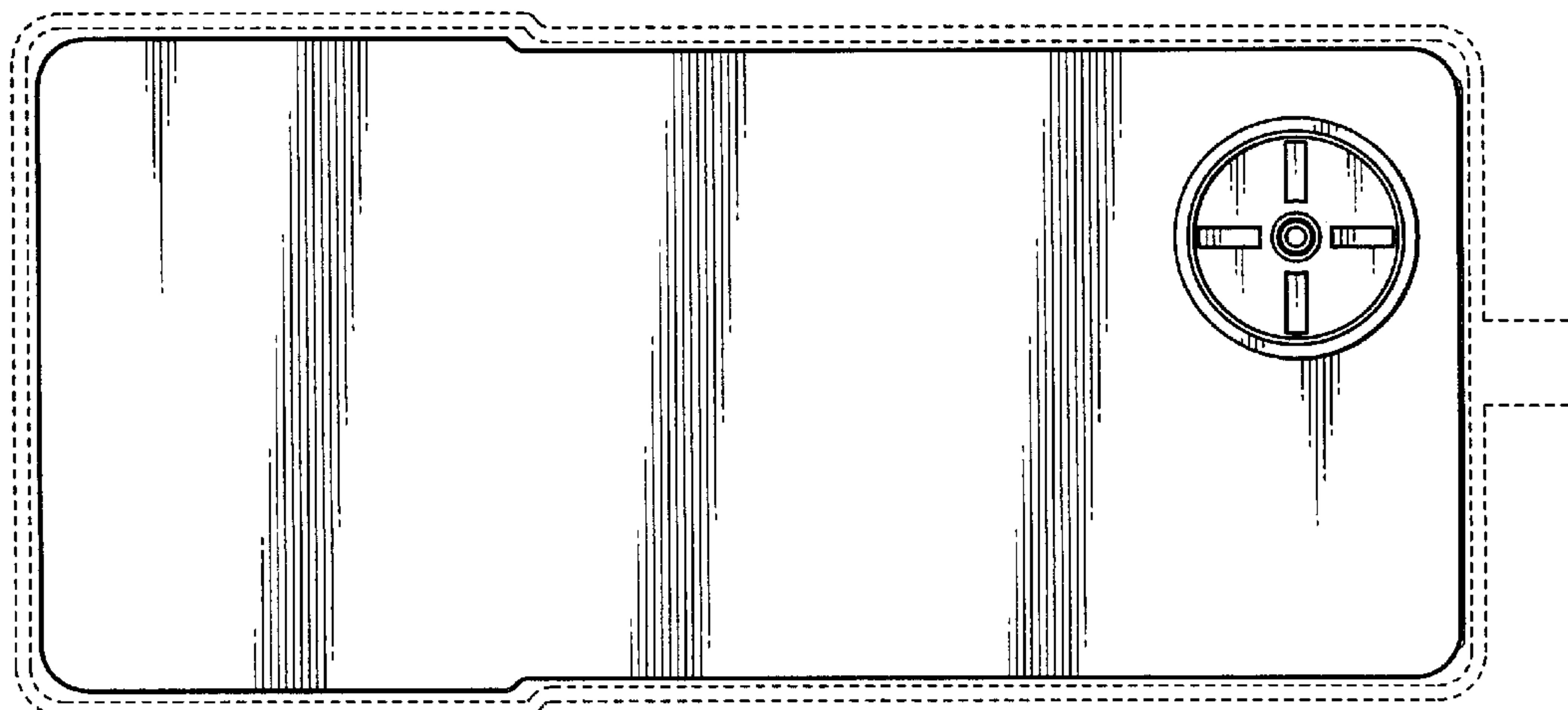


FIG.12

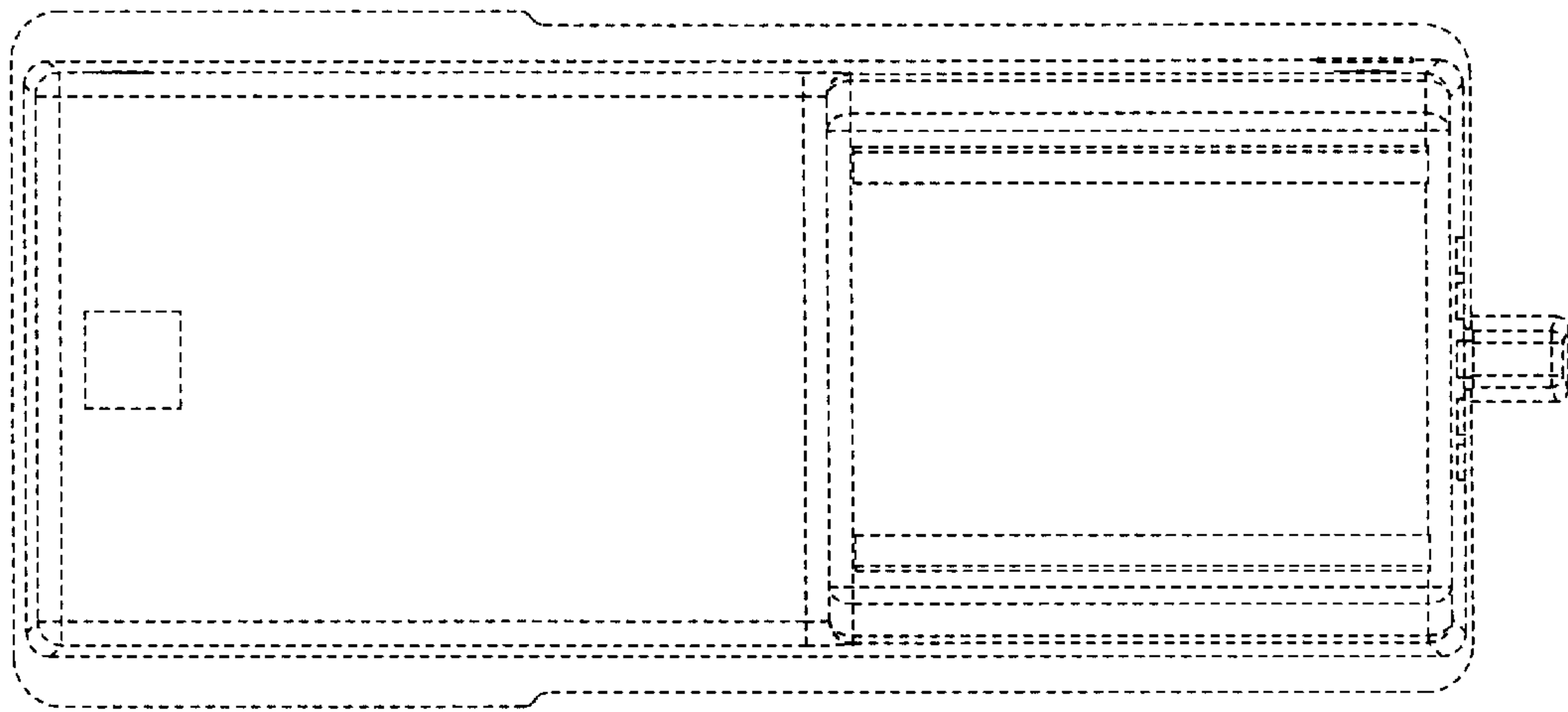


FIG.13

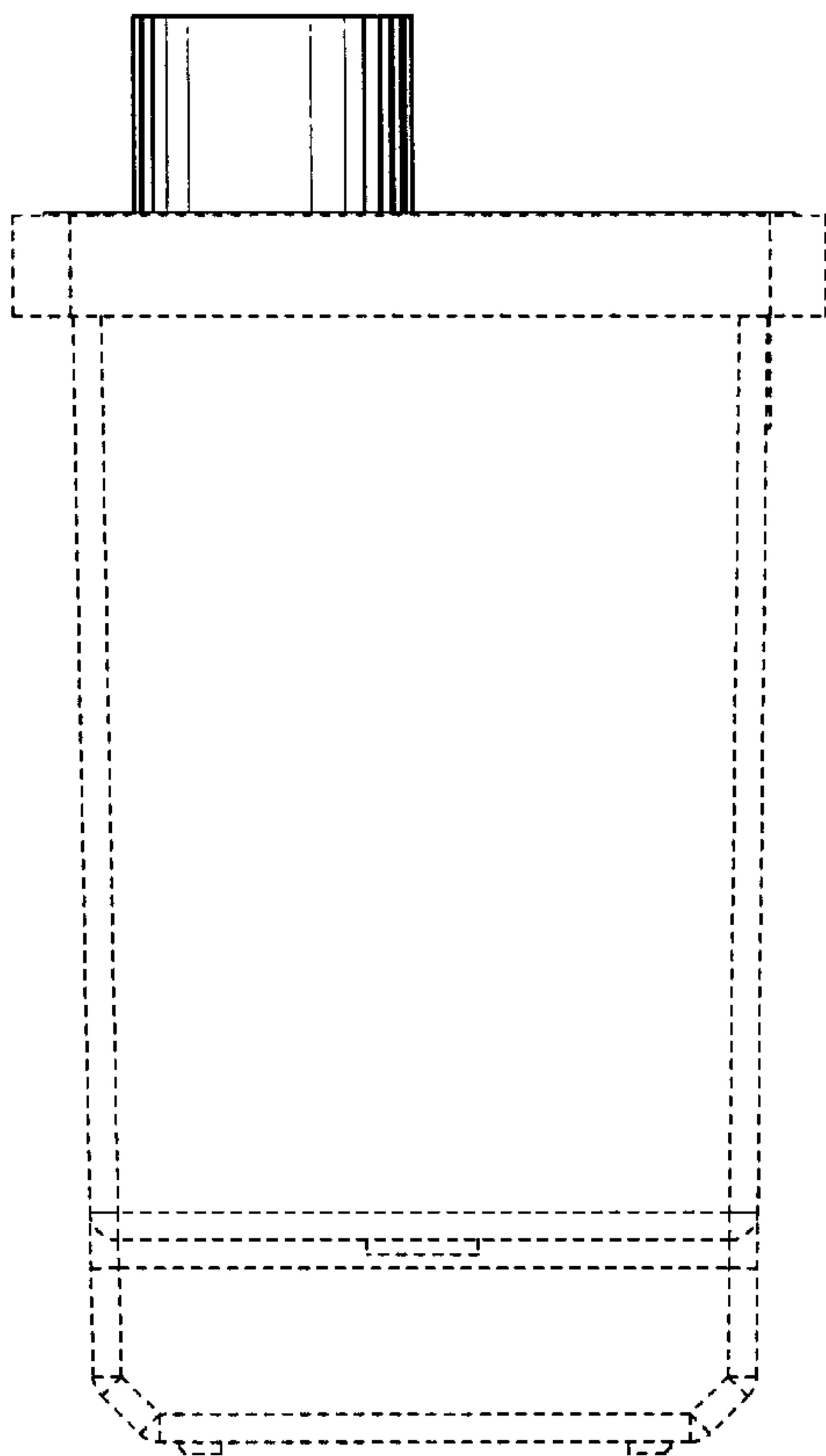


FIG.14

