



US00D539333S

(12) **United States Design Patent**
Lee

(10) **Patent No.:** **US D539,333 S**
(45) **Date of Patent:** **** Mar. 27, 2007**

(54) **ROLLING MACHINE FOR PAPER ARTS**

(76) Inventor: **Chia-Shun Lee**, P.O. Box 44 - 2049,
Taoyuan County 10668 (TW)

(**) Term: **14 Years**

(21) Appl. No.: **29/251,701**

(22) Filed: **Jan. 12, 2006**

(51) **LOC (8) Cl.** **19-02**

(52) **U.S. Cl.** **D18/14; 101/23**

(58) **Field of Classification Search** D18/36-39,
D18/56, 53-55, 99, 19, 50, 14; 101/2, 5,
101/22, 23, 33, 41, 214, 364-366, 118, 127.1;
D8/71; D10/64; D6/407, 626; 234/25; 118/44;
38/36

See application file for complete search history.

(56) **References Cited**

U.S. PATENT DOCUMENTS

1,454,362 A * 5/1923 Winchenbaugh et al. 118/44
1,660,978 A * 2/1928 Speed 101/23
2,111,057 A * 3/1938 Swanson 234/25

D110,803 S * 8/1938 Ditty D18/14
2,175,337 A * 10/1939 Boice 101/23
D119,625 S * 3/1940 Kropp D18/14
D165,332 S * 12/1951 Hayer D18/14

* cited by examiner

Primary Examiner—Ian Simmons
Assistant Examiner—Charles Hanson

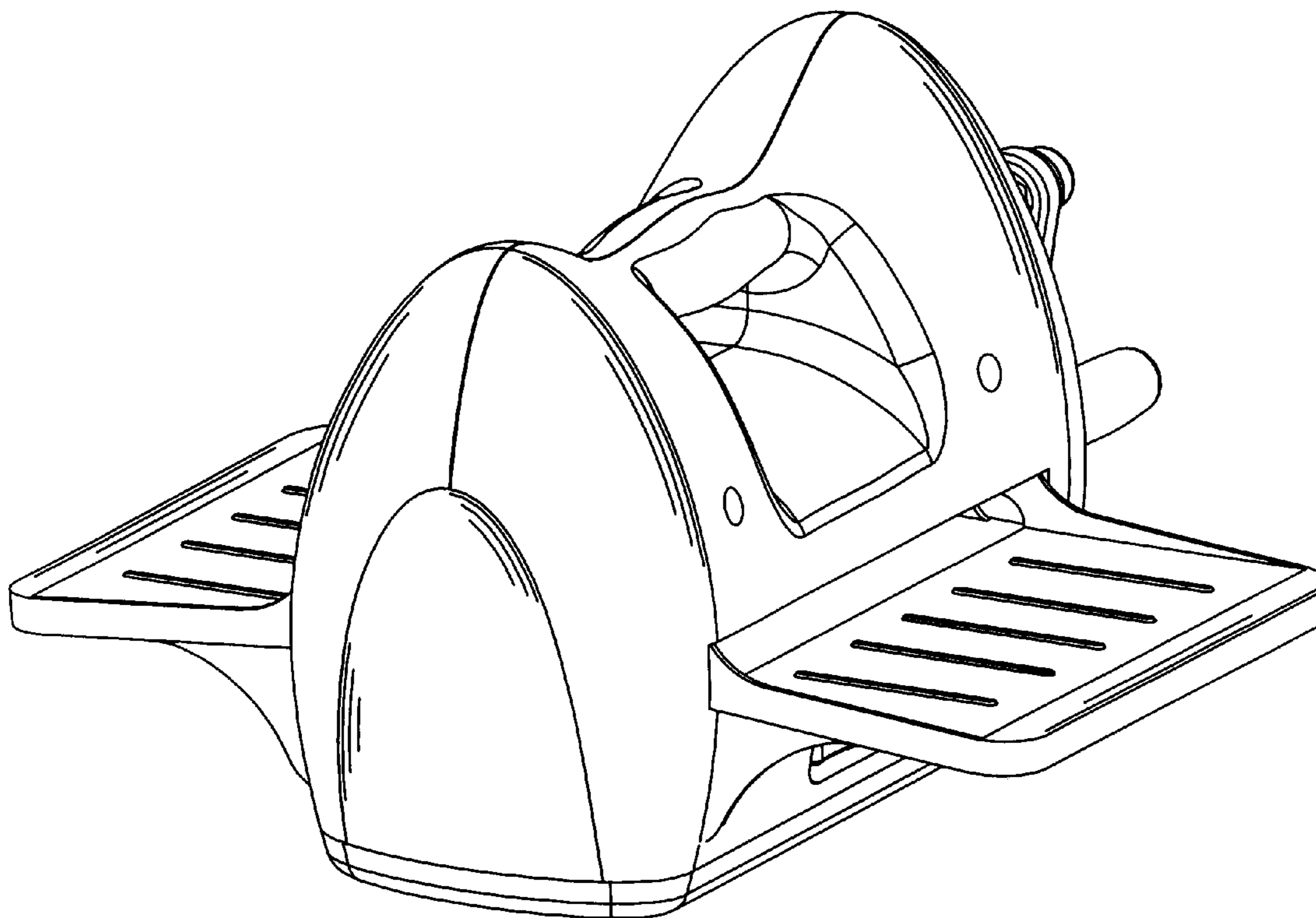
(57) **CLAIM**

The ornamental design for a rolling machine for paper arts,
as shown and described.

DESCRIPTION

FIG. 1. is a perspective view of a rolling machine for paper
arts showing my new design;
FIG. 2 is a front view thereof;
FIG. 3 is a back view thereof;
FIG. 4 is a left view thereof;
FIG. 5 is a right view thereof;
FIG. 6 is a top view thereof; and,
FIG. 7 is a bottom view thereof.

1 Claim, 7 Drawing Sheets



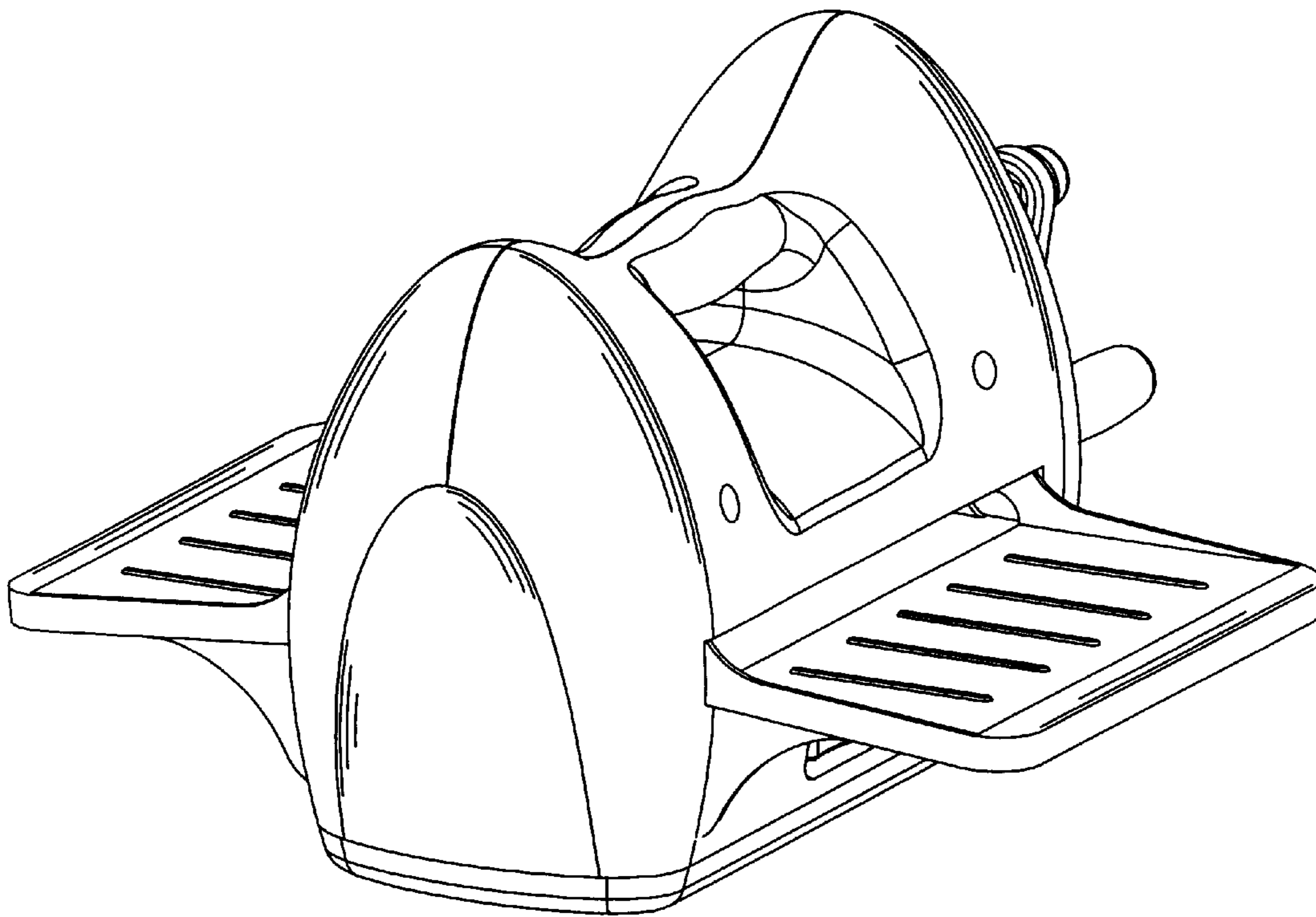


FIG. 1

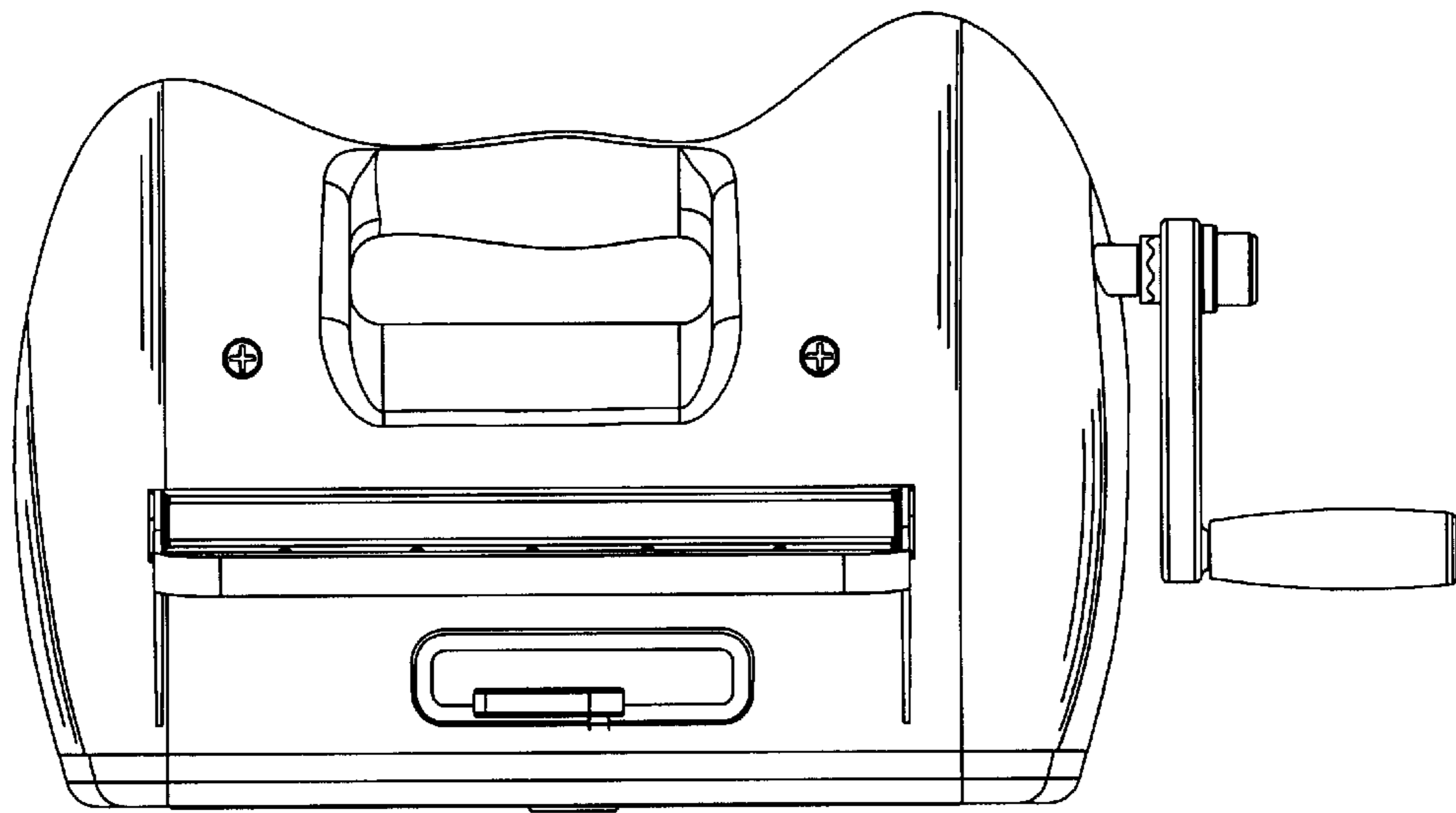


FIG.2

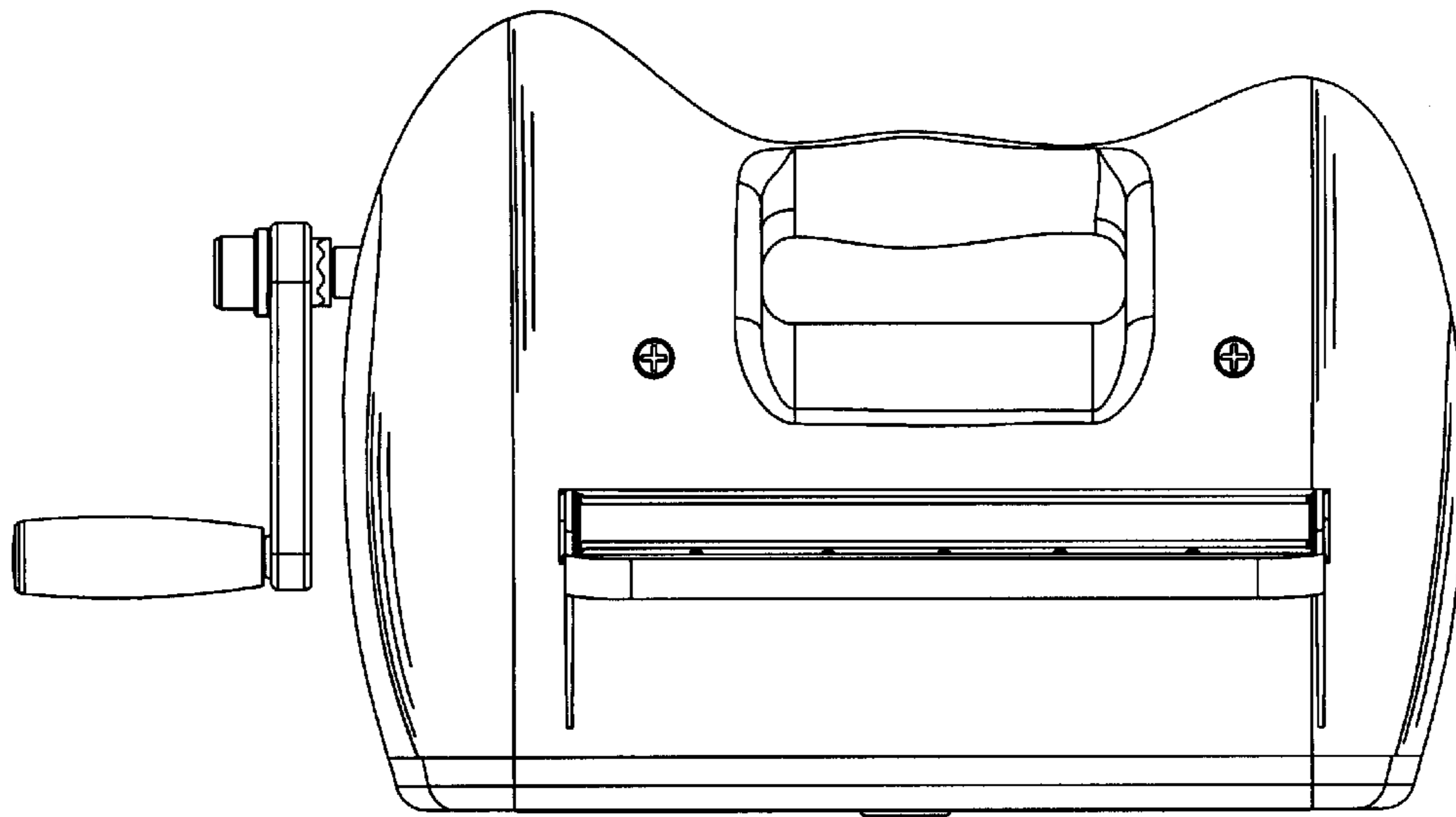


FIG.3

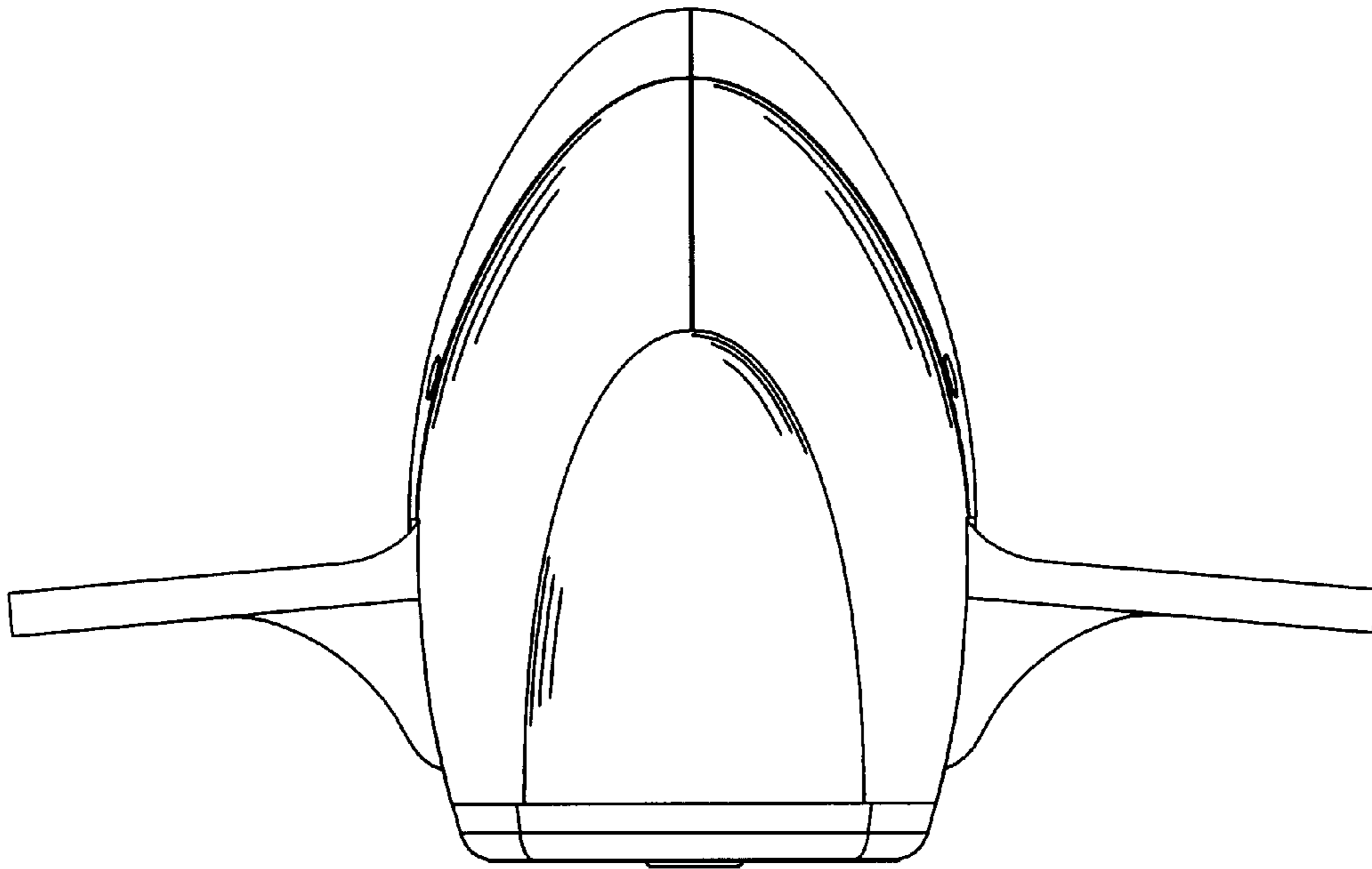


FIG. 4

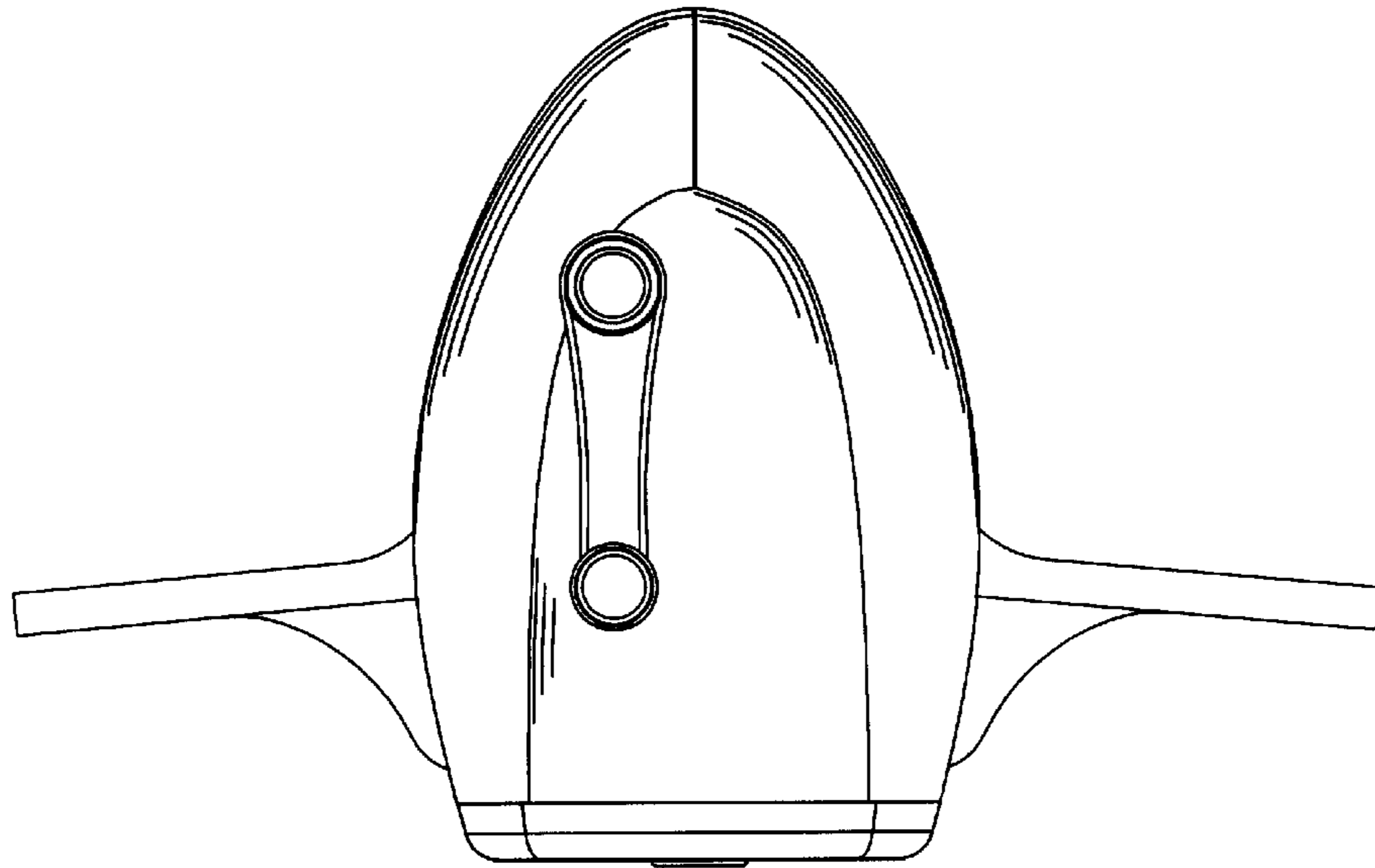


FIG.5

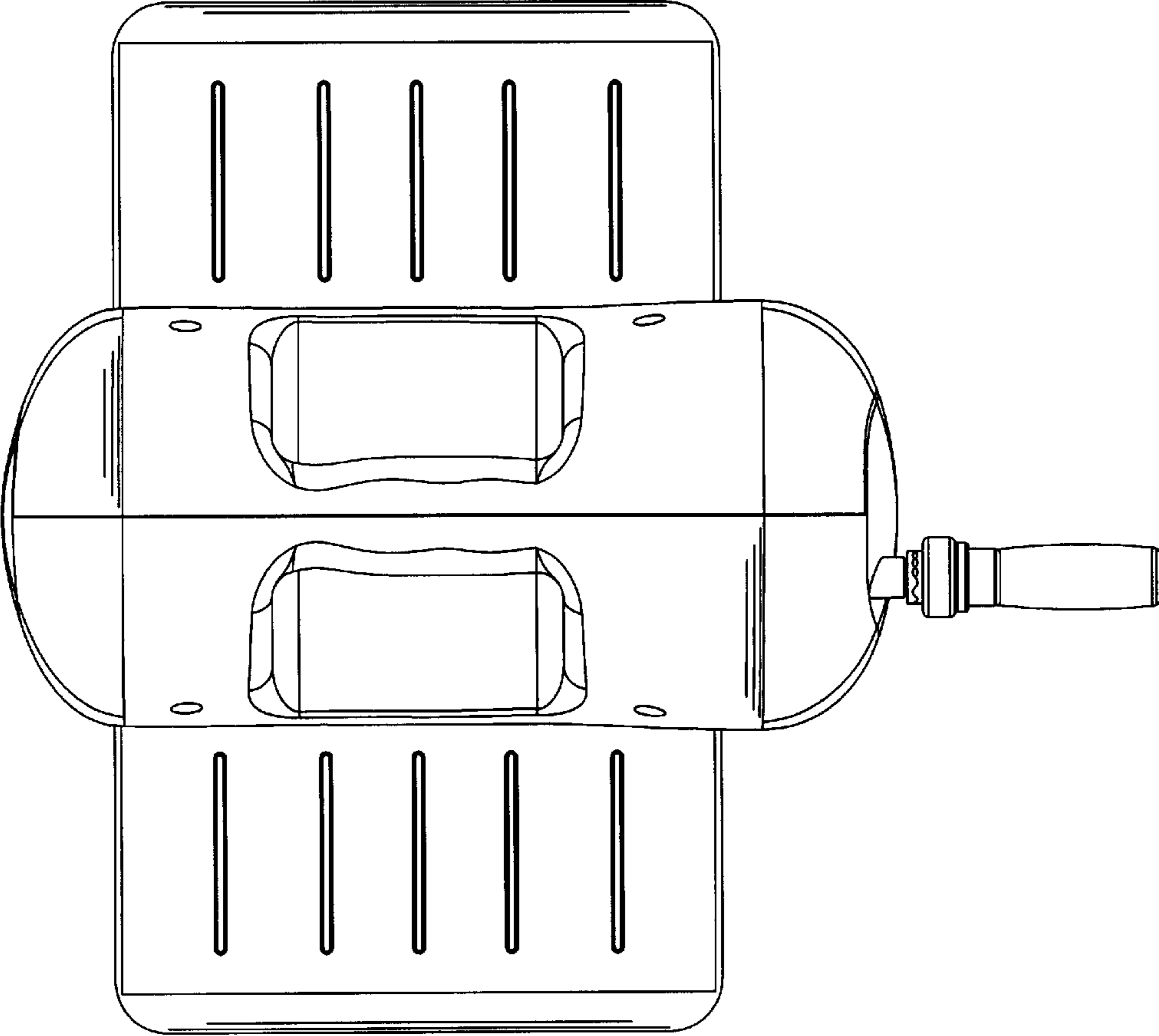


FIG.6

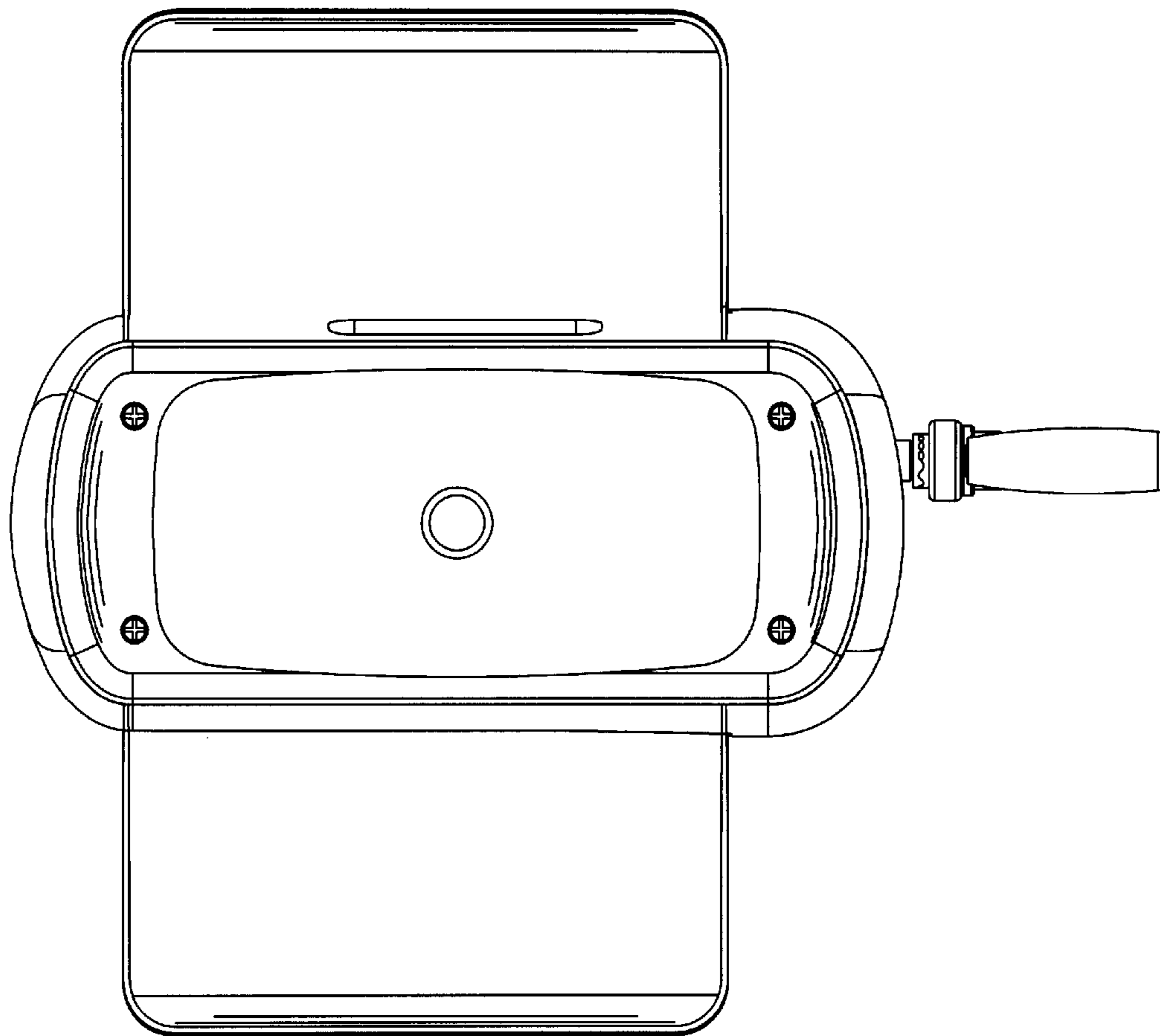


FIG.7