



US00D539332S

(12) **United States Design Patent**
Gonzalez

(10) **Patent No.:** **US D539,332 S**
(45) **Date of Patent:** **** Mar. 27, 2007**

(54) **COMPACT BANK NOTE COUNTING MACHINE**

(76) Inventor: **Rolando Gonzalez**, 7104 NW. 50 St.,
Miami, FL (US) 33166

(**) Term: **14 Years**

(21) Appl. No.: **29/254,202**

(22) Filed: **Feb. 21, 2006**

(51) **LOC (8) Cl.** **18-01**

(52) **U.S. Cl.** **D18/3.3**

(58) **Field of Classification Search** D18/1,
D18/3.1, 3.3, 5, 6; 209/534, 657; 235/379,
235/449; D10/46, 97; D99/28, 99, 34-35;
382/135; 271/187

See application file for complete search history.

(56) **References Cited**

U.S. PATENT DOCUMENTS

D266,004 S	*	8/1982	Onda et al.	D18/3.3
5,163,672 A	*	11/1992	Mennie	271/187
D369,984 S	*	5/1996	Larsen	D10/97
5,692,067 A	*	11/1997	Rateman et al.	382/135
5,875,259 A	*	2/1999	Mennie et al.	382/135
5,938,044 A	*	8/1999	Weggesser	209/534
D427,623 S	*	7/2000	Kuwada et al.	D18/3.1

D439,604 S	*	3/2001	Takagi et al.	D18/3.3
D452,973 S	*	1/2002	Kuwada	D18/3.3
D457,554 S	*	5/2002	Takagi et al.	D18/3.3
D476,679 S	*	7/2003	Gonzalez	D18/3.3
D477,350 S	*	7/2003	Gonzalez	D18/3.1
D517,115 S	*	3/2006	Kuwada	D18/3.3

* cited by examiner

Primary Examiner—Paula A. Greene

(74) *Attorney, Agent, or Firm*—Albert Bordas

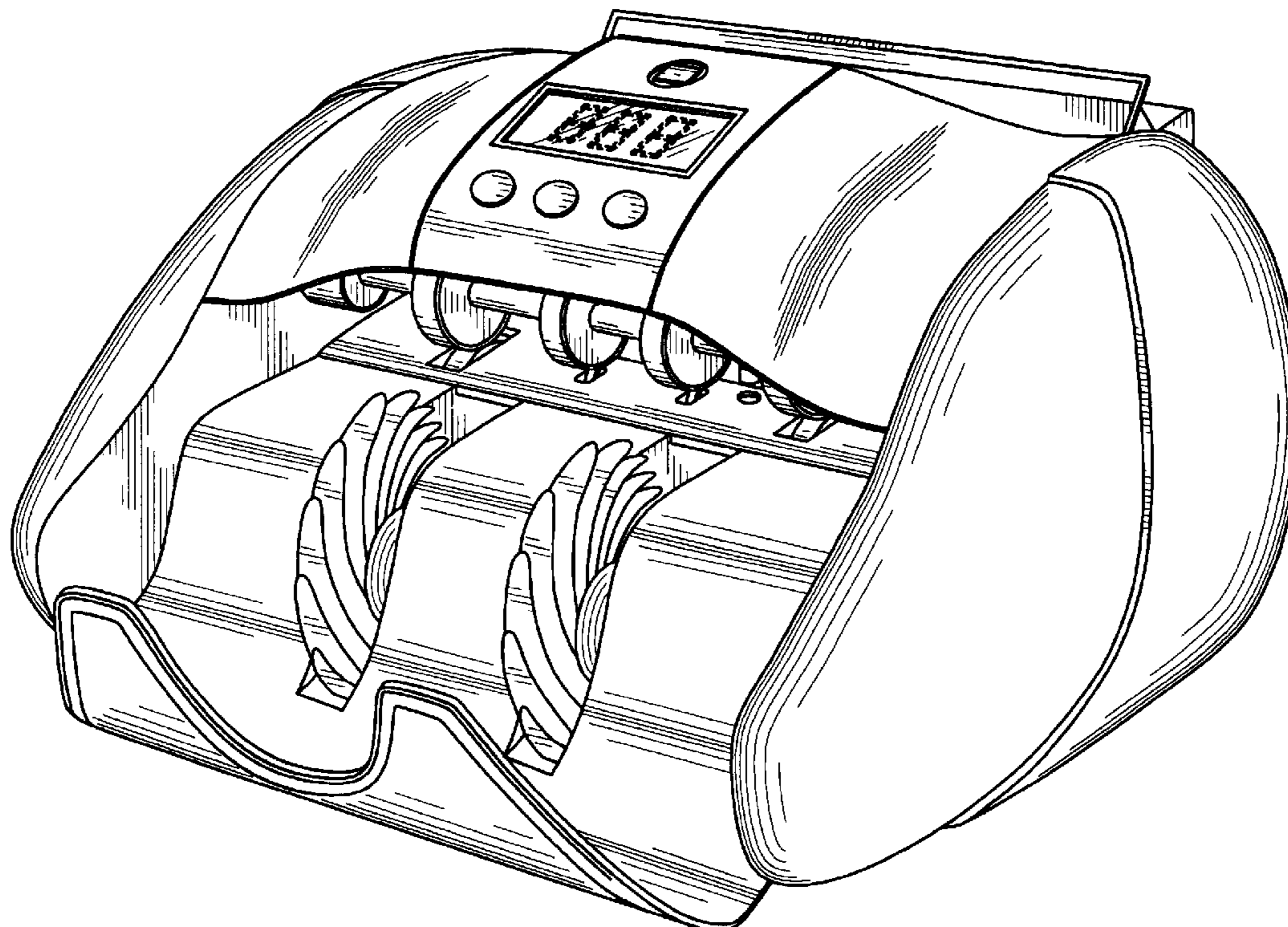
(57) **CLAIM**

The ornamental design for a compact bank note counting machine, as shown and described.

DESCRIPTION

FIG. 1 is a top plan view of a compact bank note counting machine showing my new design; FIG. 2 is a front elevational view thereof; FIG. 3 is a bottom plan view thereof; FIG. 4 is a left elevational view thereof; FIG. 5 is a rear side elevational view thereof; FIG. 6 is a right elevational view thereof; and, FIG. 7 is an isometric view thereof showing my design. The broken lines are for environmental purposes only and form no part of the claimed design.

1 Claim, 6 Drawing Sheets



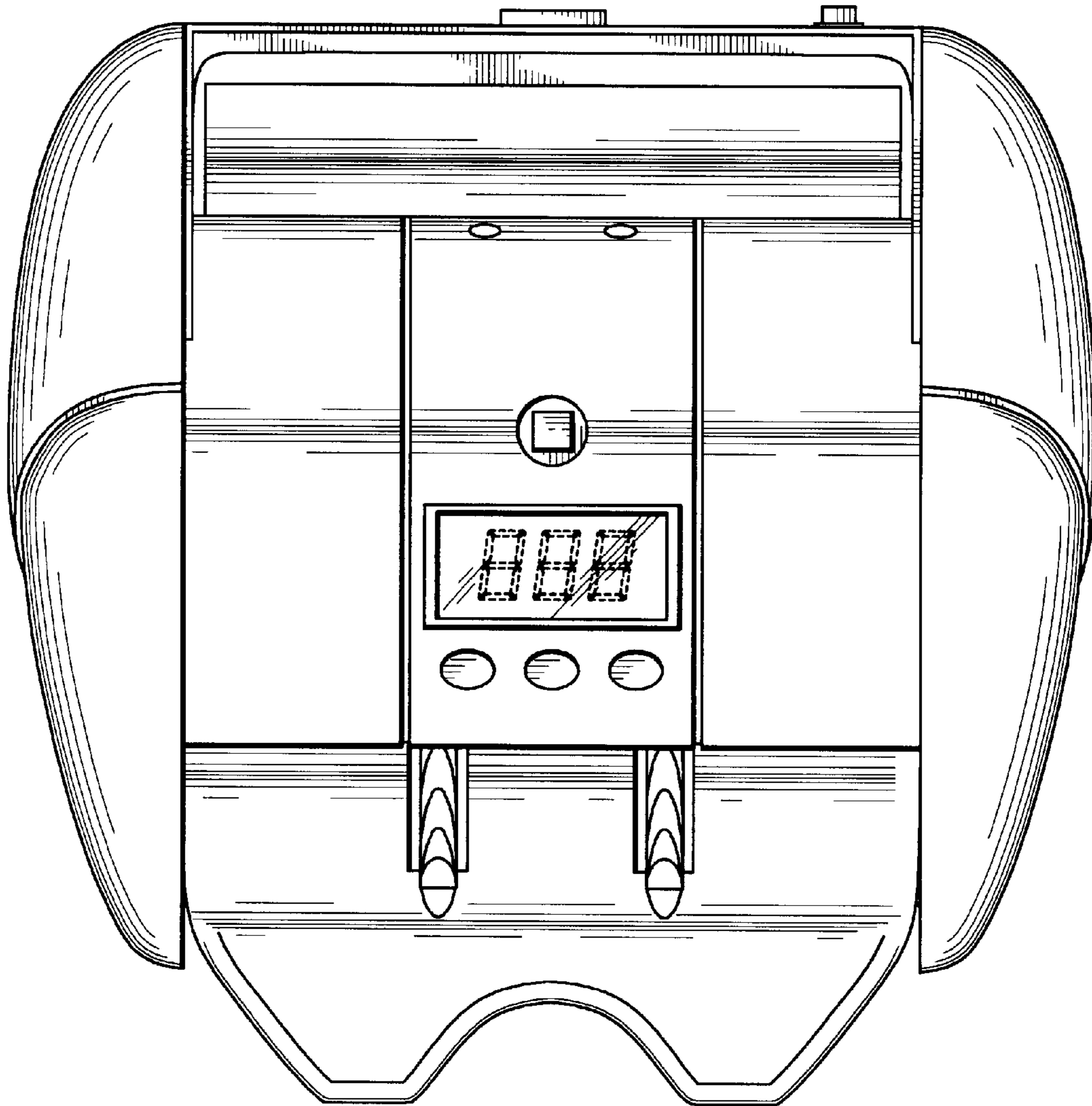


Fig. 1

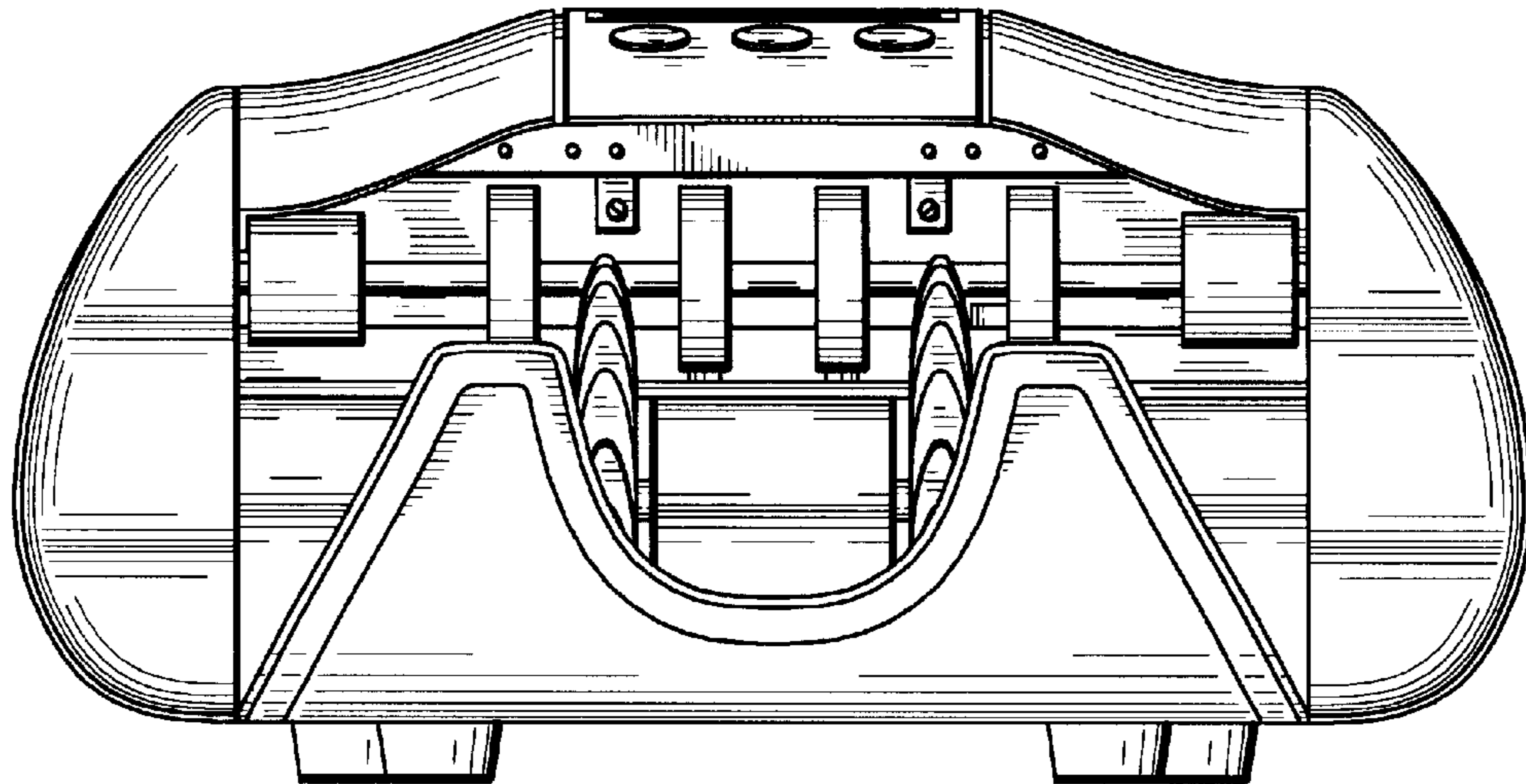


Fig. 2

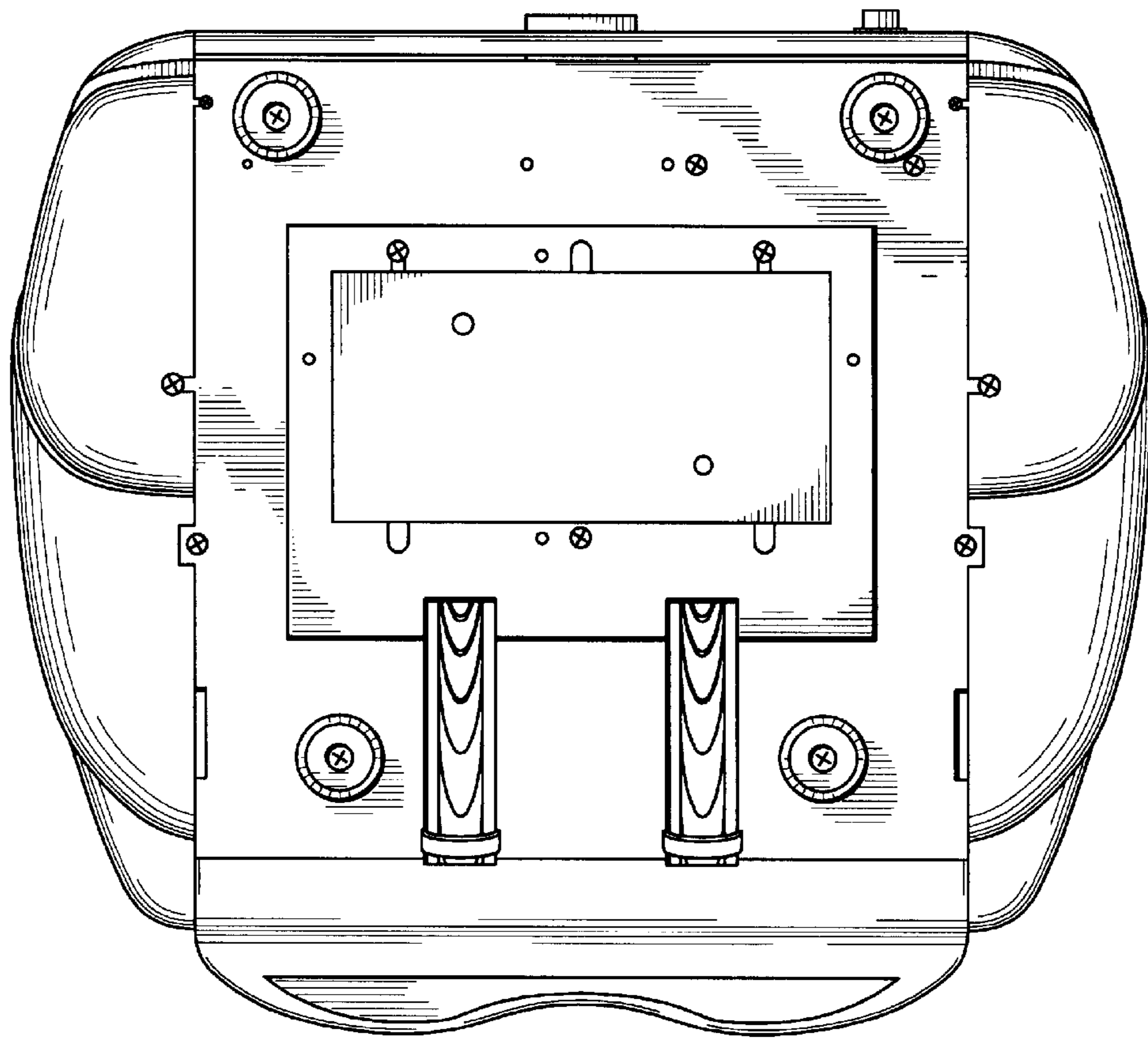


Fig. 3

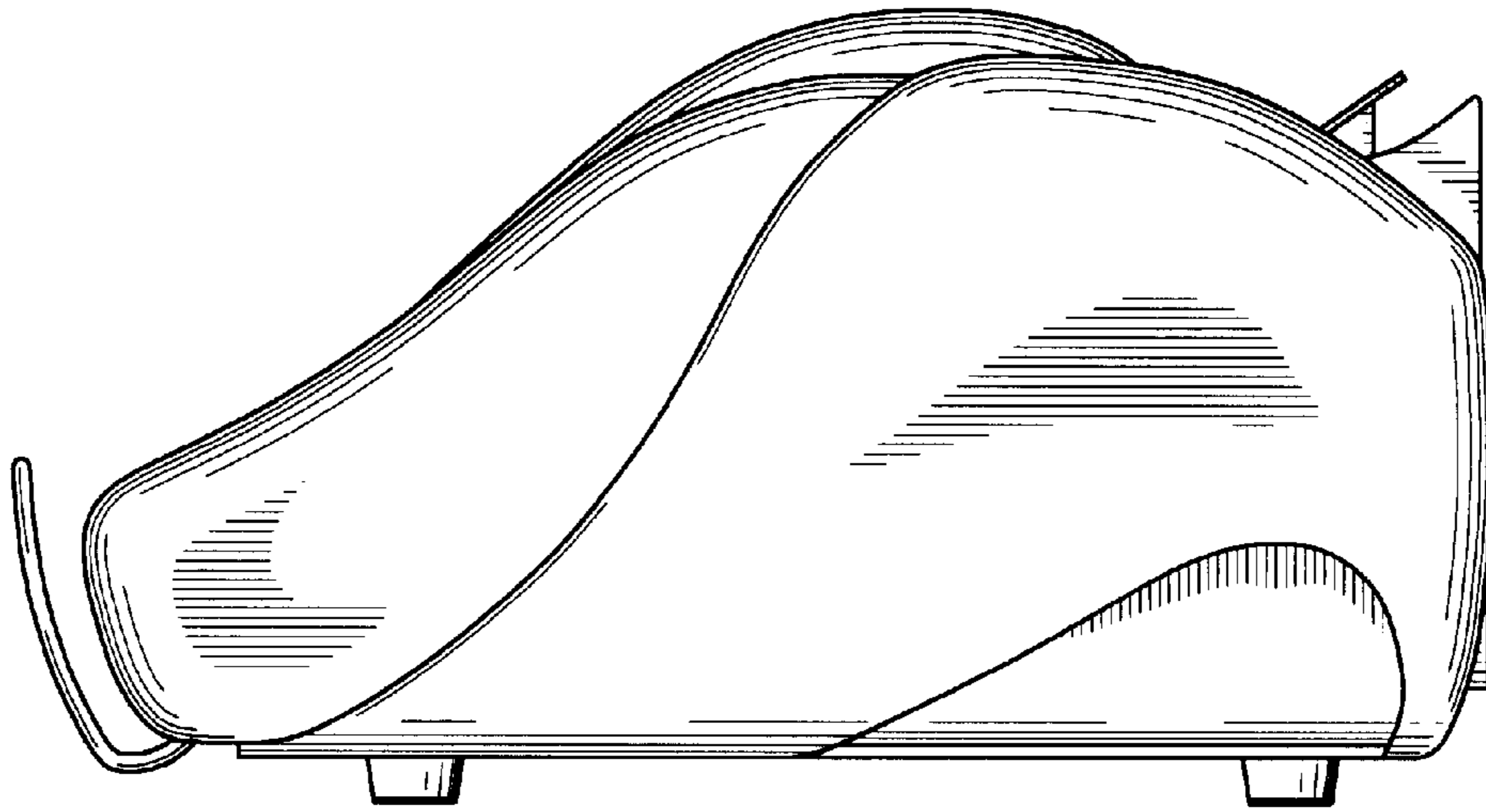


Fig. 4

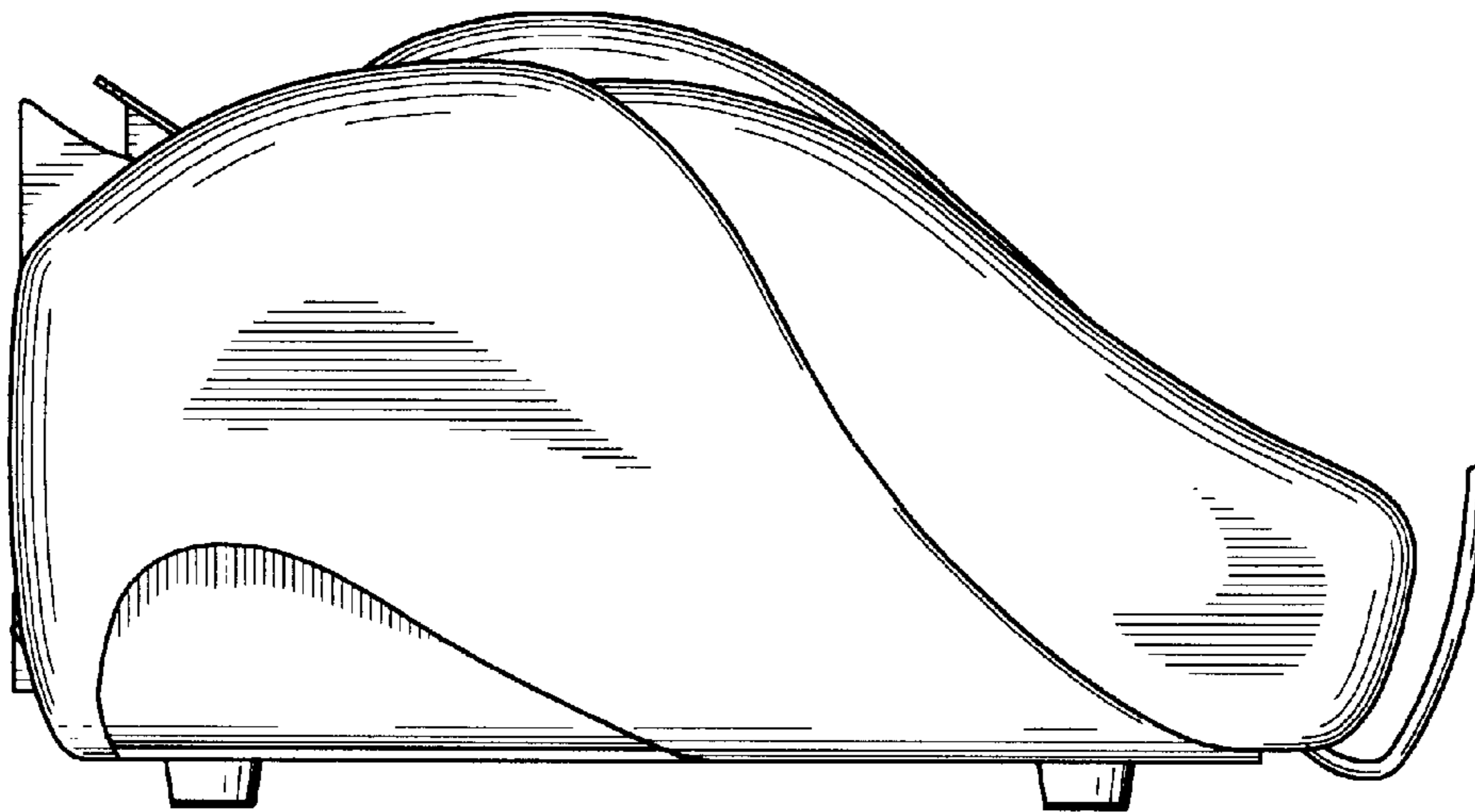


Fig. 6

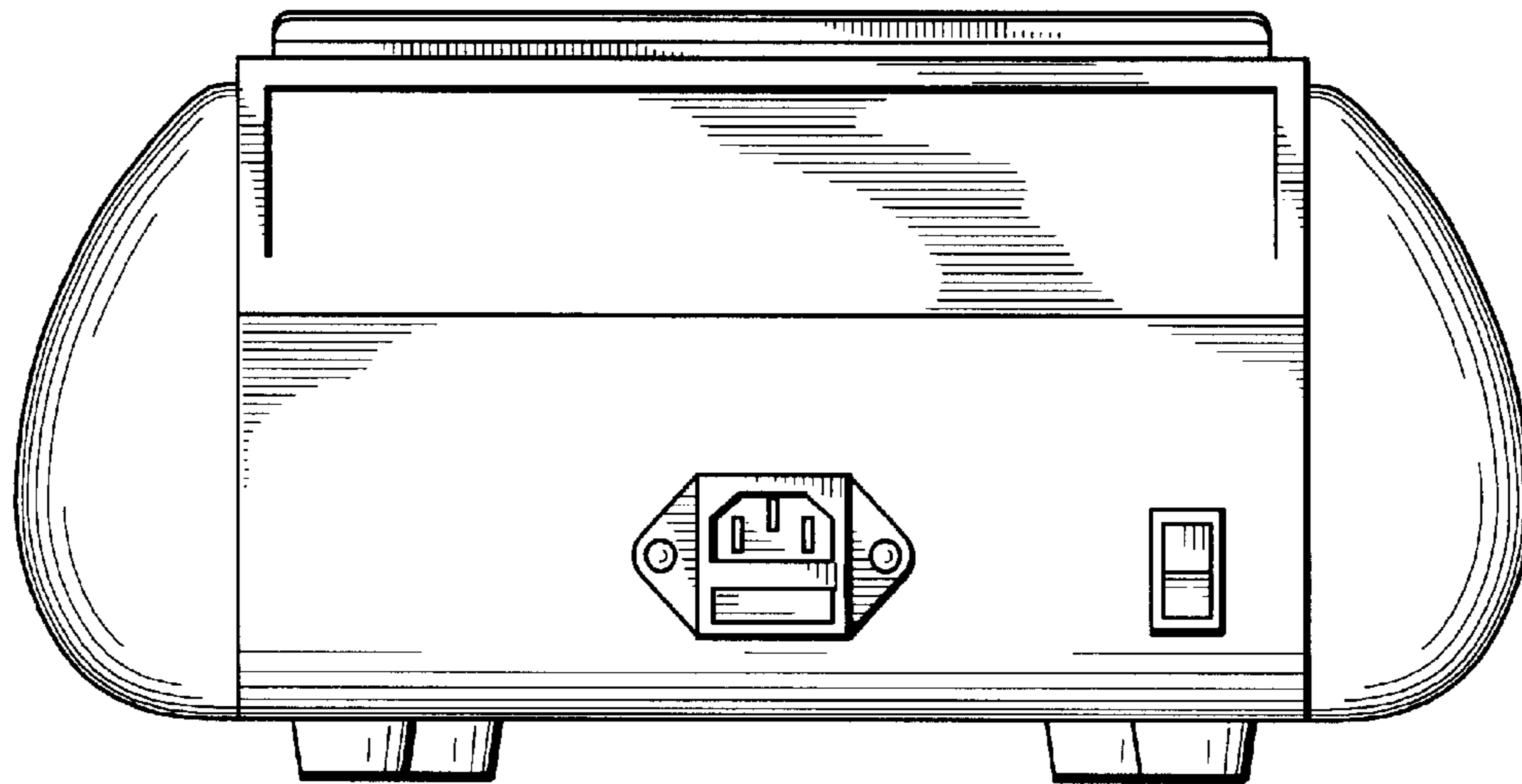


Fig. 5

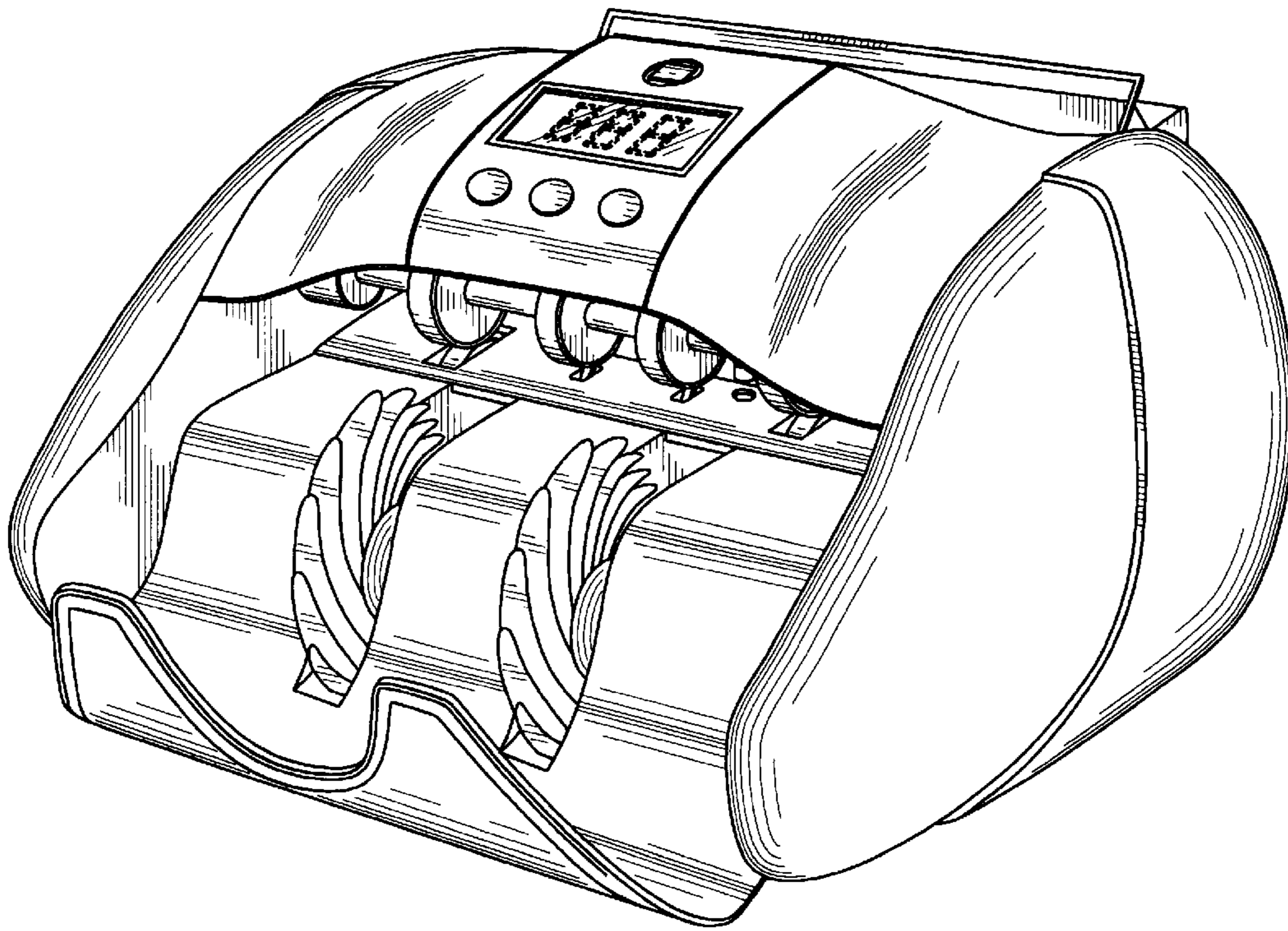


Fig. 7