

US00D539319S

(12) **United States Design Patent**
Masamitsu et al.

(10) **Patent No.:** **US D539,319 S**
(45) **Date of Patent:** **** Mar. 27, 2007**

(54) **CAMERA HOUSING**

(75) Inventors: **Satoshi Masamitsu**, Tokyo (JP);
Hirohisa Tanaka, Tokyo (JP)

(73) Assignee: **Sony Corporation**, Tokyo (JP)

(**) Term: **14 Years**

(21) Appl. No.: **29/236,355**

(22) Filed: **Aug. 16, 2005**

(30) **Foreign Application Priority Data**

Feb. 16, 2005 (EM) 000296140-0005

(51) **LOC (8) Cl.** **16-01**

(52) **U.S. Cl.** **D16/218; D16/200**

(58) **Field of Classification Search** D16/200-205,
D16/208, 218; 348/373-376; 358/909.1;
396/535-541

See application file for complete search history.

(56) **References Cited**

U.S. PATENT DOCUMENTS

D407,098 S	*	3/1999	Goto et al.	D16/200
D418,851 S	*	1/2000	Goto et al.	D16/202
D424,085 S	*	5/2000	Naito	D16/218
D435,572 S		12/2000	Maeyama		

D442,614 S		5/2001	Sumita		
D448,038 S	*	9/2001	Nakamura	D16/202
D456,431 S	*	4/2002	Kim	D16/202
6,463,222 B1	*	10/2002	Ito et al.	396/541
D503,417 S		3/2005	Kawase		
D507,586 S	*	7/2005	Nakamura	D16/218
7,060,921 B2	*	6/2006	Kubo	206/316.2
D525,638 S	*	7/2006	Nakamura	D16/202
D528,579 S	*	9/2006	Yasutomi	D16/202

* cited by examiner

Primary Examiner—Adir Aronovich

(74) *Attorney, Agent, or Firm*—Rader, Fishman & Grauer PLLC

(57) **CLAIM**

The ornamental design for a camera housing, as shown.

DESCRIPTION

FIG. 1 is a perspective view of a camera housing showing our new design;
FIG. 2 is a front elevational view thereof;
FIG. 3 is a rear elevational view thereof;
FIG. 4 is a left side elevational view thereof;
FIG. 5 is a right side elevational view thereof;
FIG. 6 is a top plan view thereof; and,
FIG. 7 is a bottom plan view thereof.

1 Claim, 7 Drawing Sheets

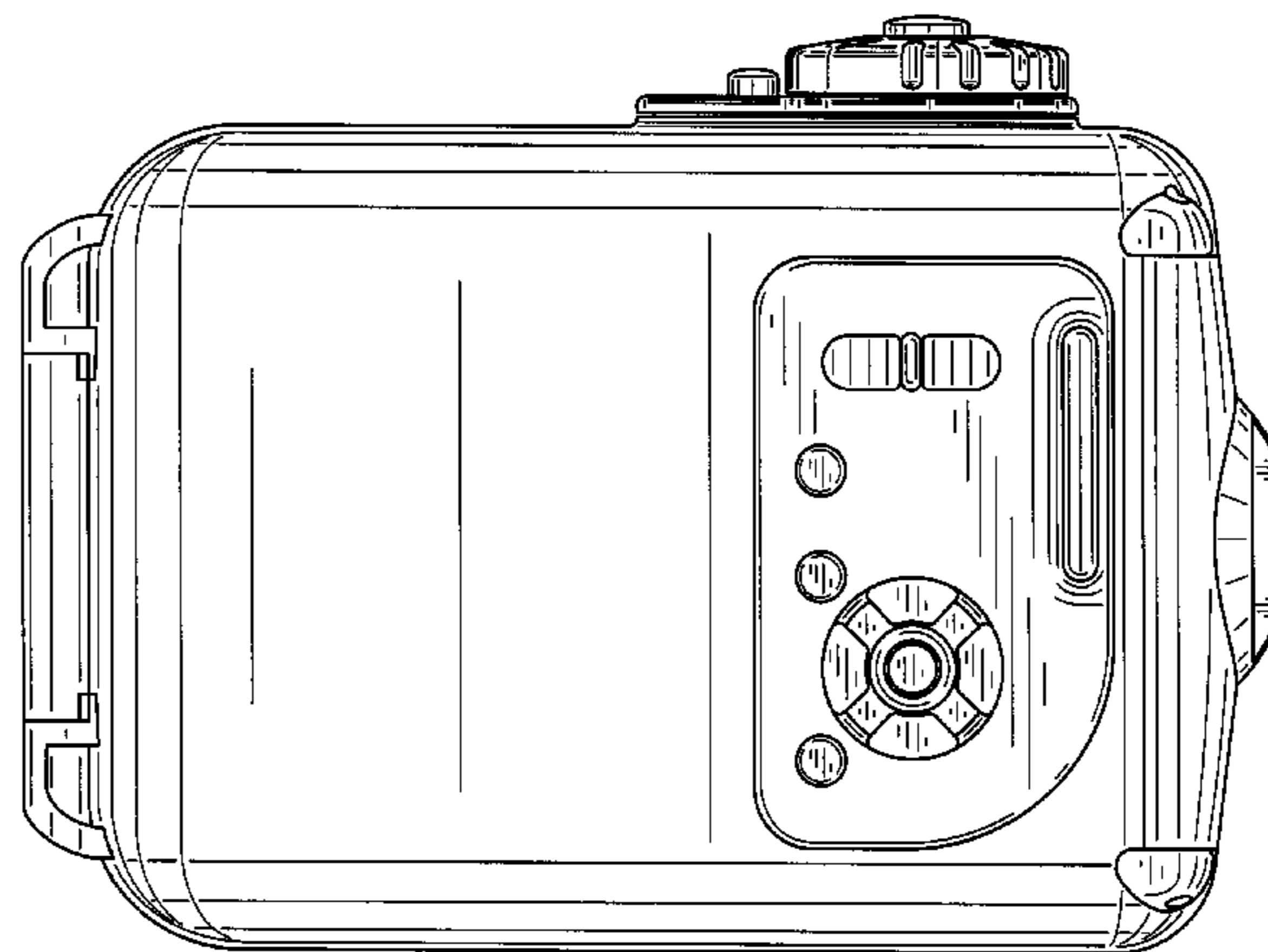
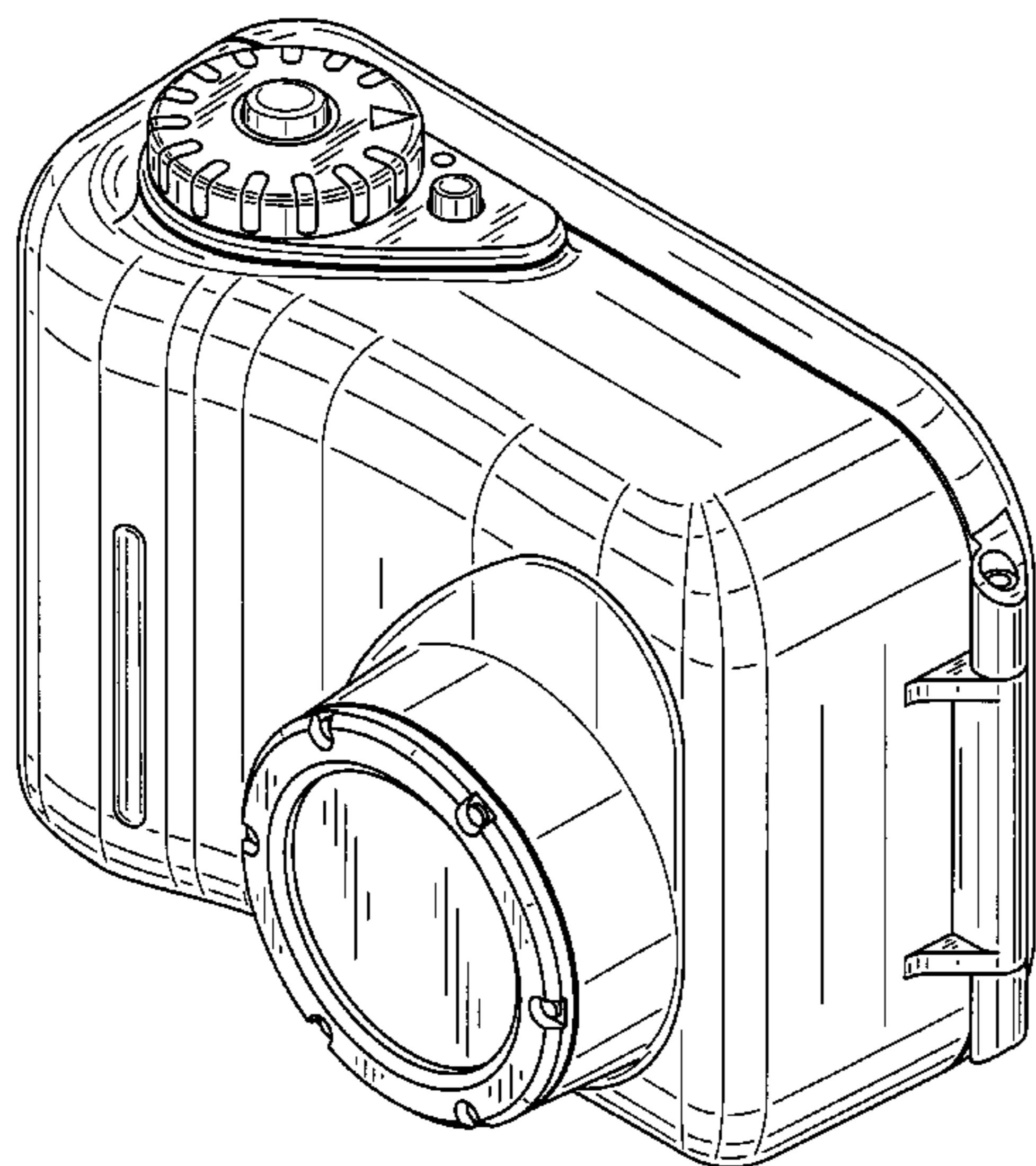


Fig. 1

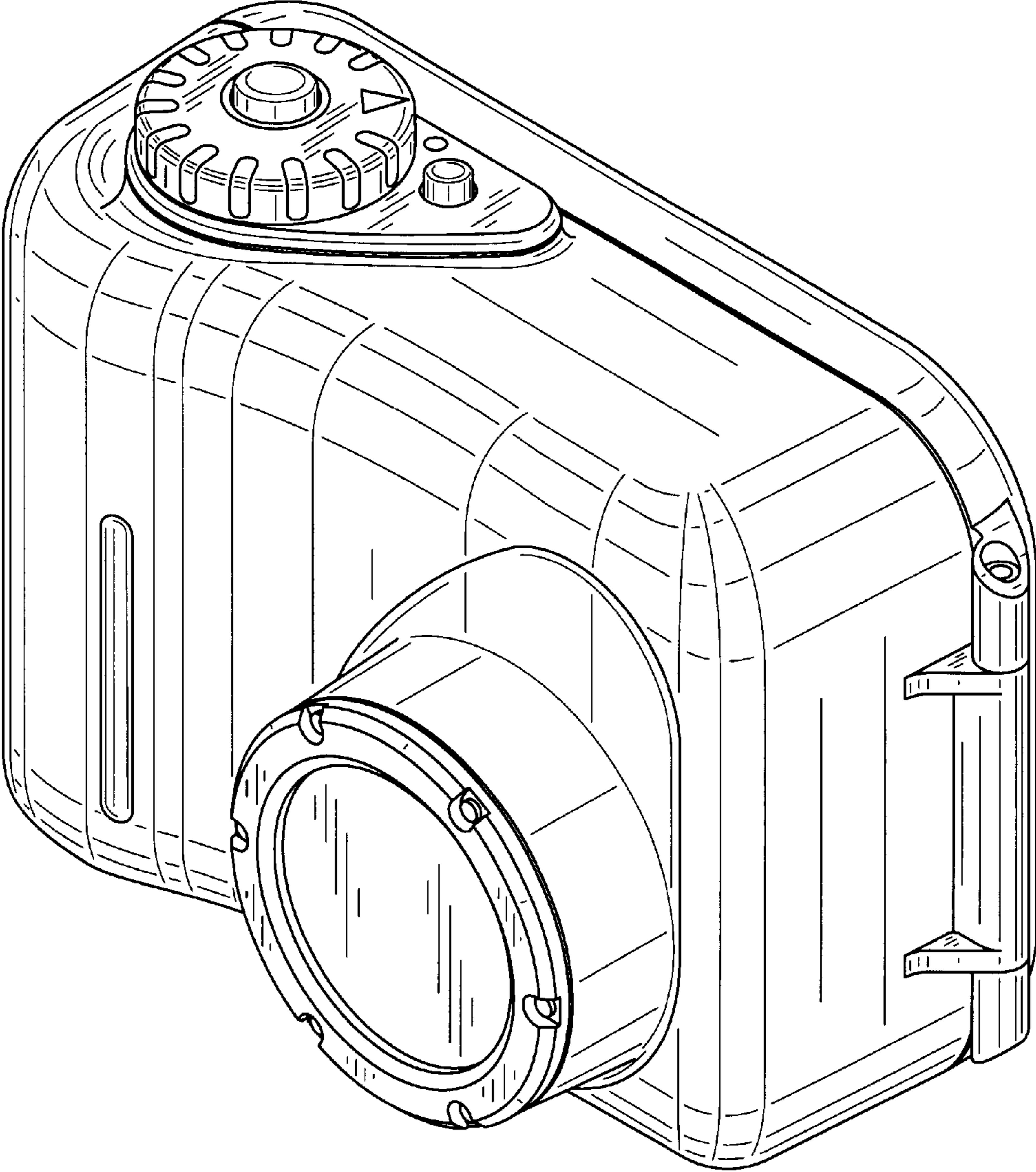


Fig.2

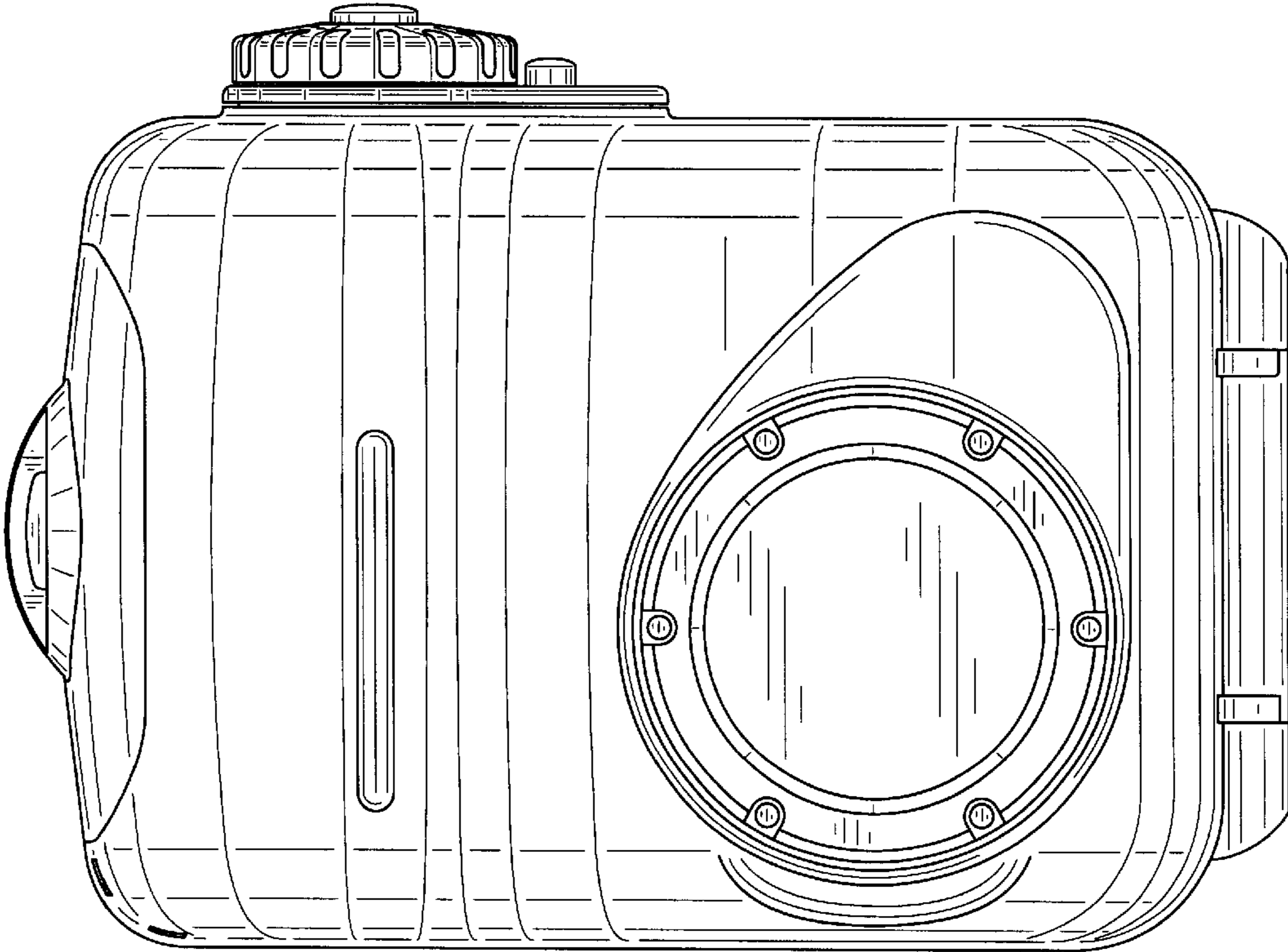


Fig.3

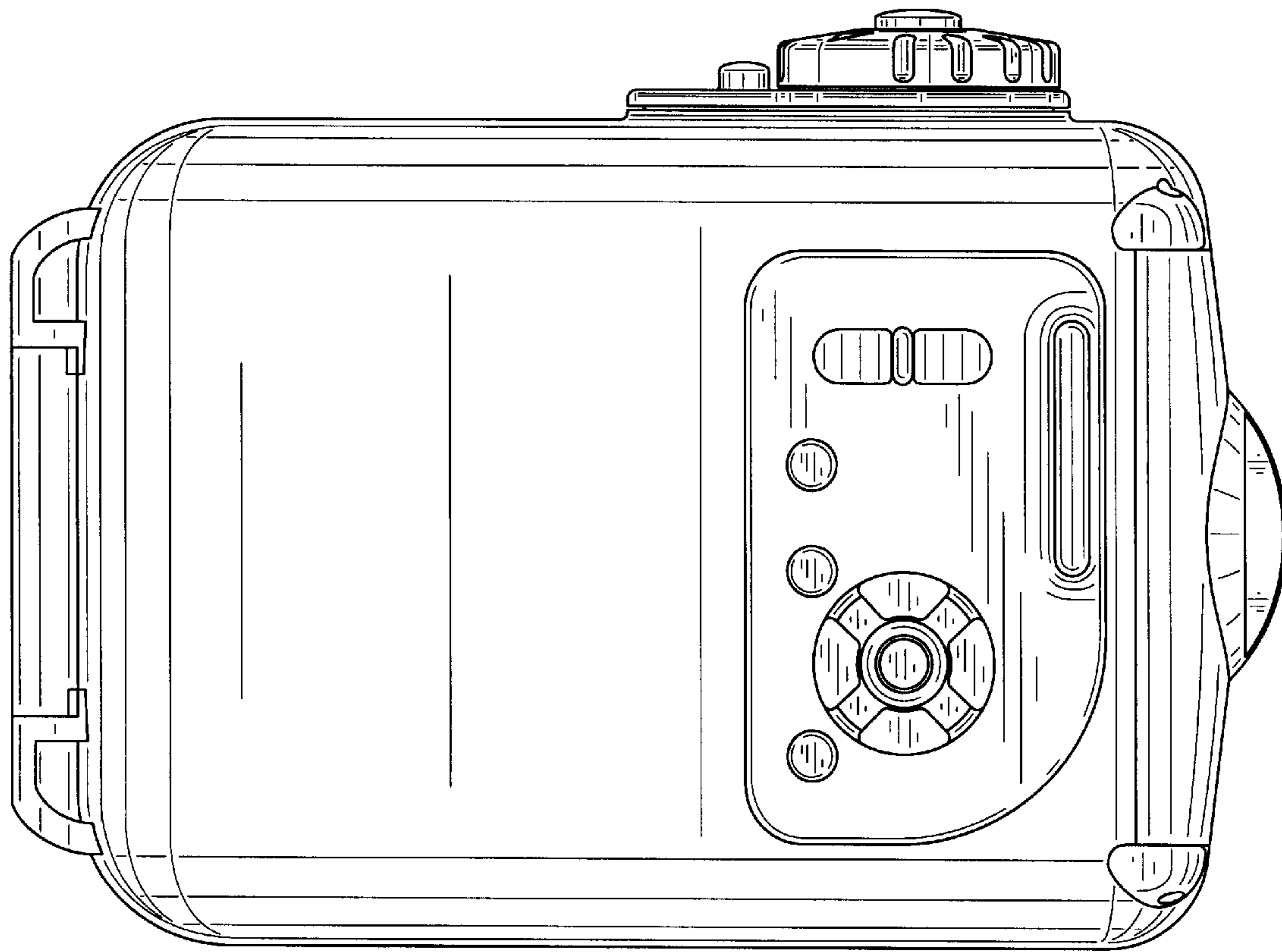


Fig.4

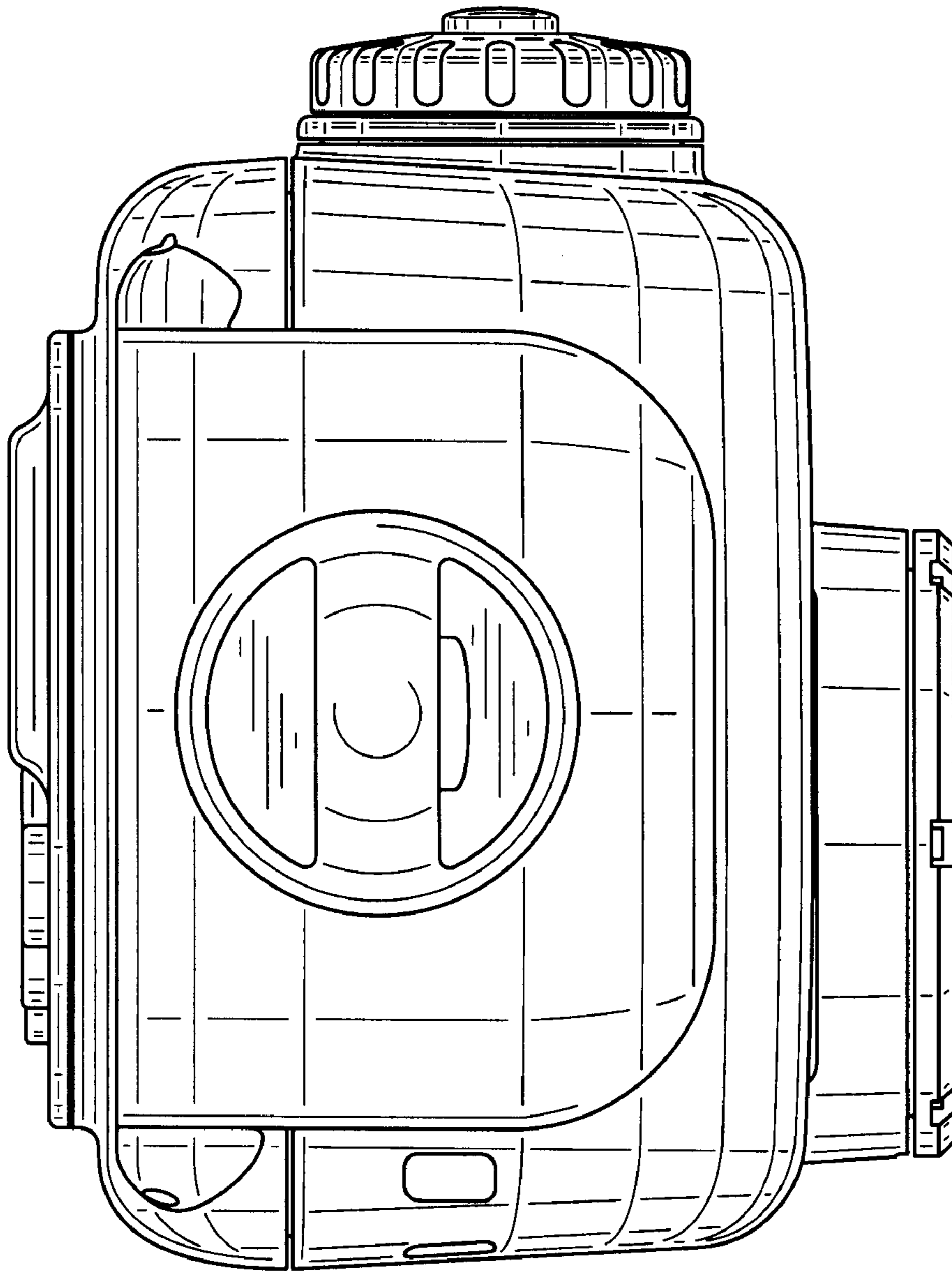


Fig.5

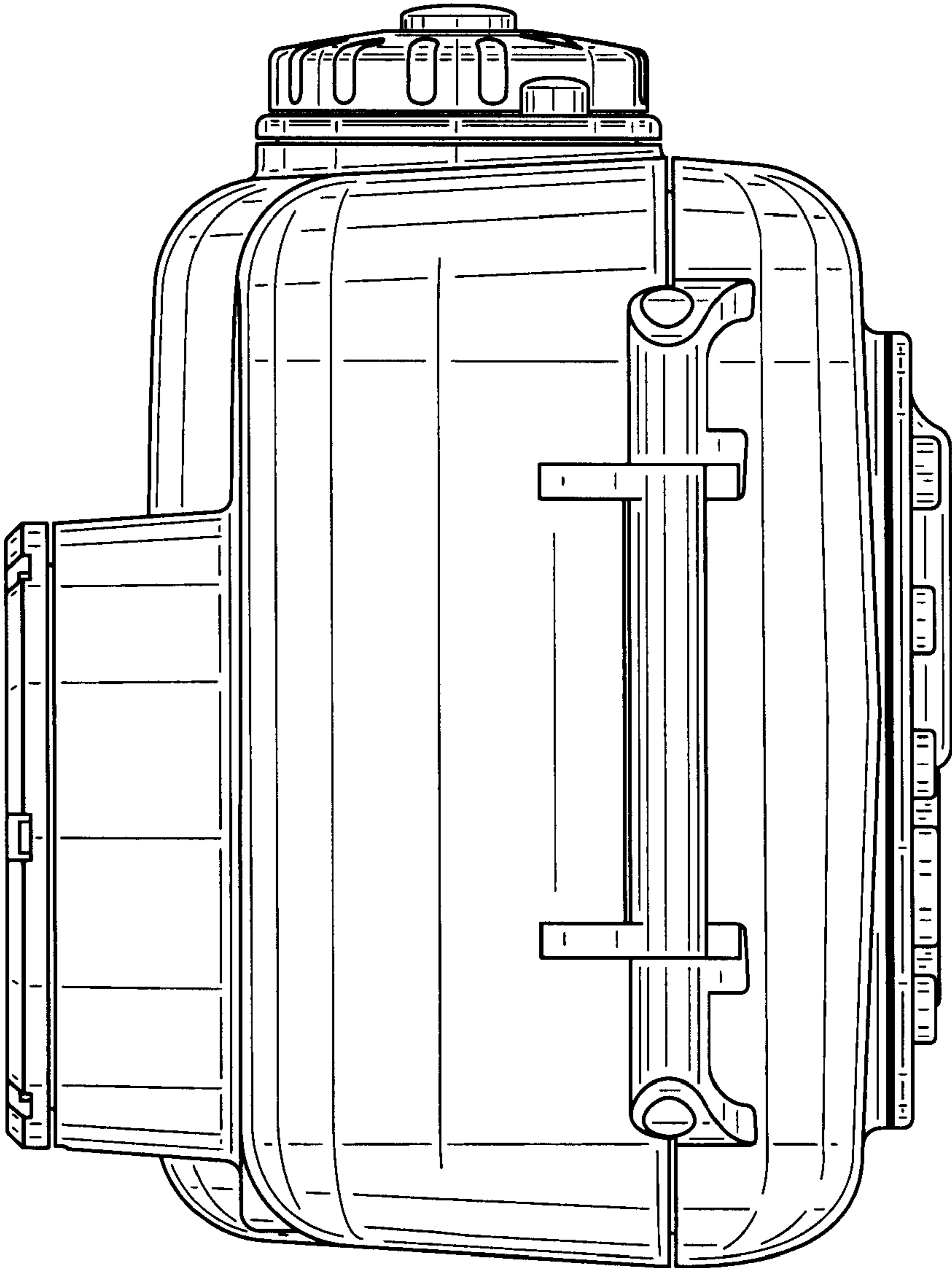


Fig.6

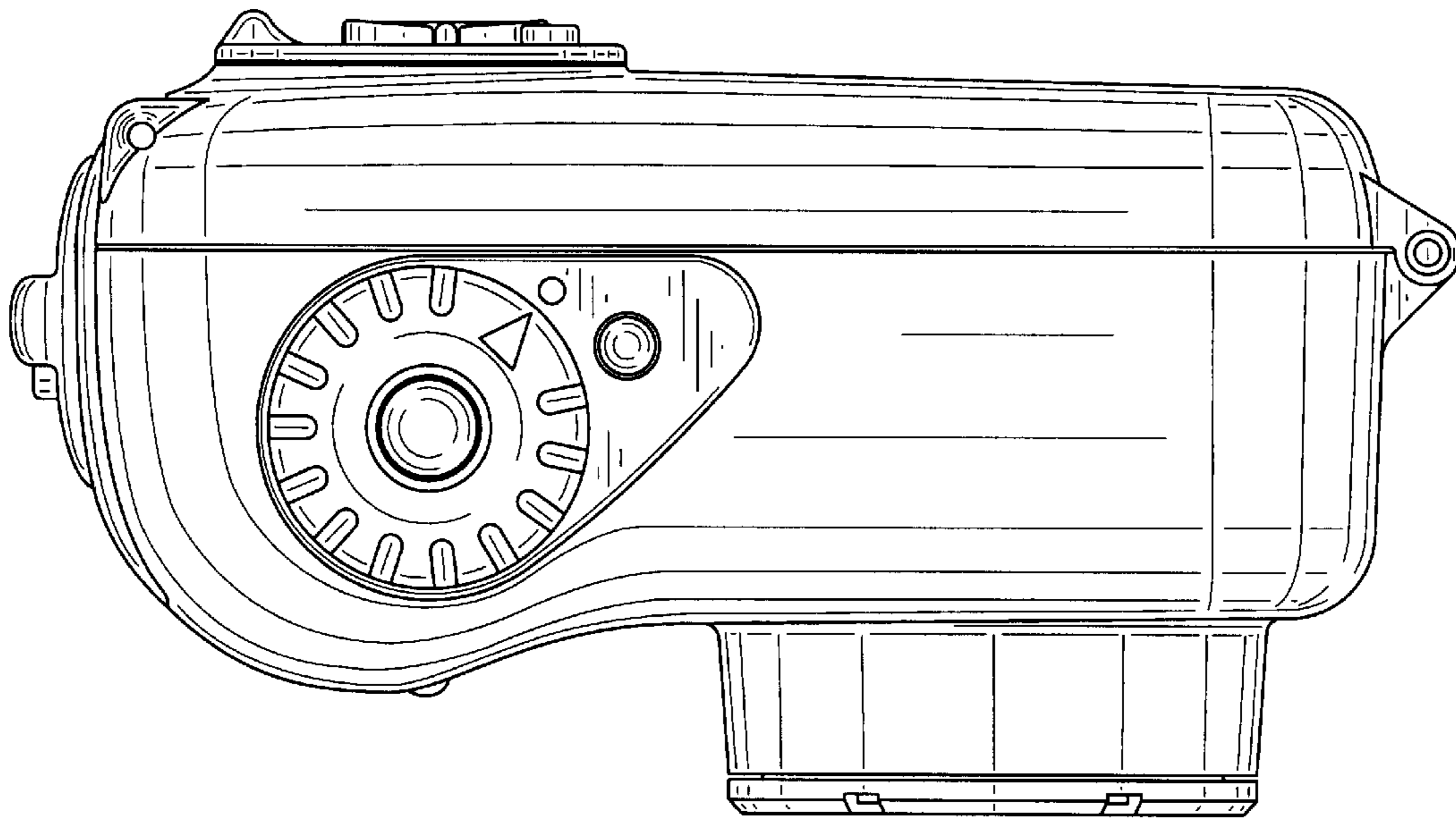


Fig.7

