

US00D539317S

(12) **United States Design Patent**
Tonhofer

(10) **Patent No.:** **US D539,317 S**

(45) **Date of Patent:** **** Mar. 27, 2007**

(54) **MONOCULAR**

(75) Inventor: **Frédéric Tonhofer**, Bertrange (LU)

(73) Assignee: **Noctron Sarl**, Luxembourg (LU)

(**) Term: **14 Years**

(21) Appl. No.: **29/254,753**

(22) Filed: **Feb. 28, 2006**

(51) **LOC (8) Cl.** **16-06**

(52) **U.S. Cl.** **D16/132**

(58) **Field of Classification Search** D16/202,
D16/203, 130, 132; D22/109; 2/421, 422;
359/815–818, 420, 422, 428, 809; 362/157–158;
250/214 VT, 330; D26/37; 396/28
See application file for complete search history.

(56) **References Cited**

U.S. PATENT DOCUMENTS

D228,027 S	*	7/1973	Heckel	D16/132
D258,444 S	*	3/1981	Mineshima	D16/218
4,335,944 A	*	6/1982	Marshall	396/282
4,669,833 A	*	6/1987	Mise	359/420
D300,039 S	*	2/1989	Huckenbeck	D16/132
D351,397 S	*	10/1994	Dor	D16/130
D369,613 S	*	5/1996	Palmer	D16/132
D380,222 S	*	6/1997	Bryant	D16/132
D418,853 S	*	1/2000	Kubota	D16/203

D482,710 S	*	11/2003	Ho	D16/132
D512,087 S	*	11/2005	Kato et al.	D16/203
D522,031 S	*	5/2006	Siu	D16/132
D528,576 S	*	9/2006	Chung et al.	D16/202

* cited by examiner

Primary Examiner—Paula A. Greene

(74) *Attorney, Agent, or Firm*—Polster, Lieder, Woodruff & Lucchesi, L.C.

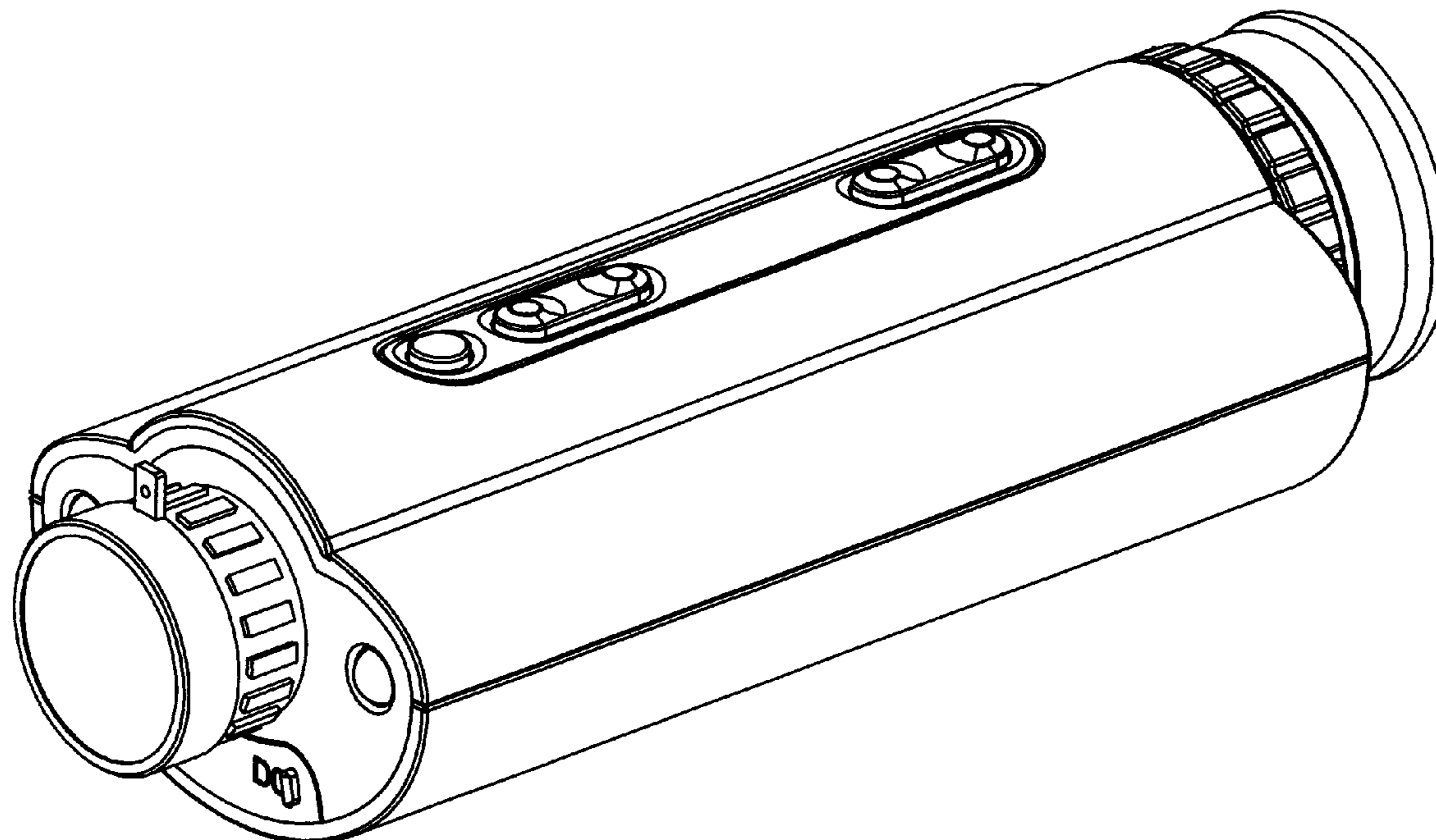
(57) **CLAIM**

The ornamental design for a monocular, as shown and described.

DESCRIPTION

FIG. 1 is a front perspective view of a monocular showing my new design;
 FIG. 2 is a top plan view of the embodiment shown in FIG. 1 illustrating a control button arrangement;
 FIG. 3 is a right side elevational view thereof, the left side is a mirror image;
 FIG. 4 is a bottom plan view of the embodiment shown in FIG. 1;
 FIG. 5 is a front elevational view thereof, the broken line showing of the labels is for illustrative purposes only and forms no part of the claimed design; and,
 FIG. 6 is a rear plan view of the embodiment shown in FIG. 1, illustrating the ocular placement.

1 Claim, 3 Drawing Sheets



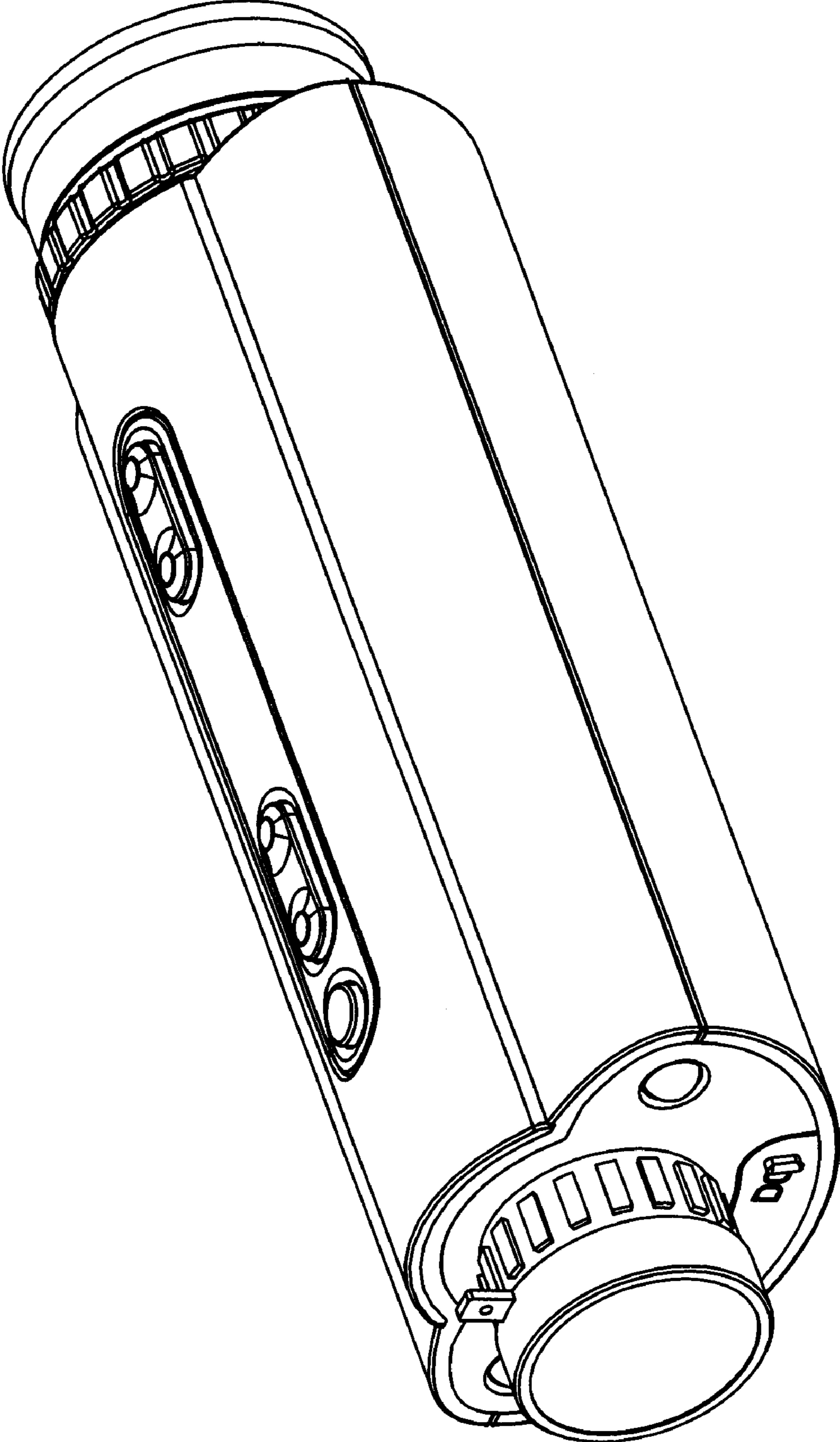


FIGURE 1

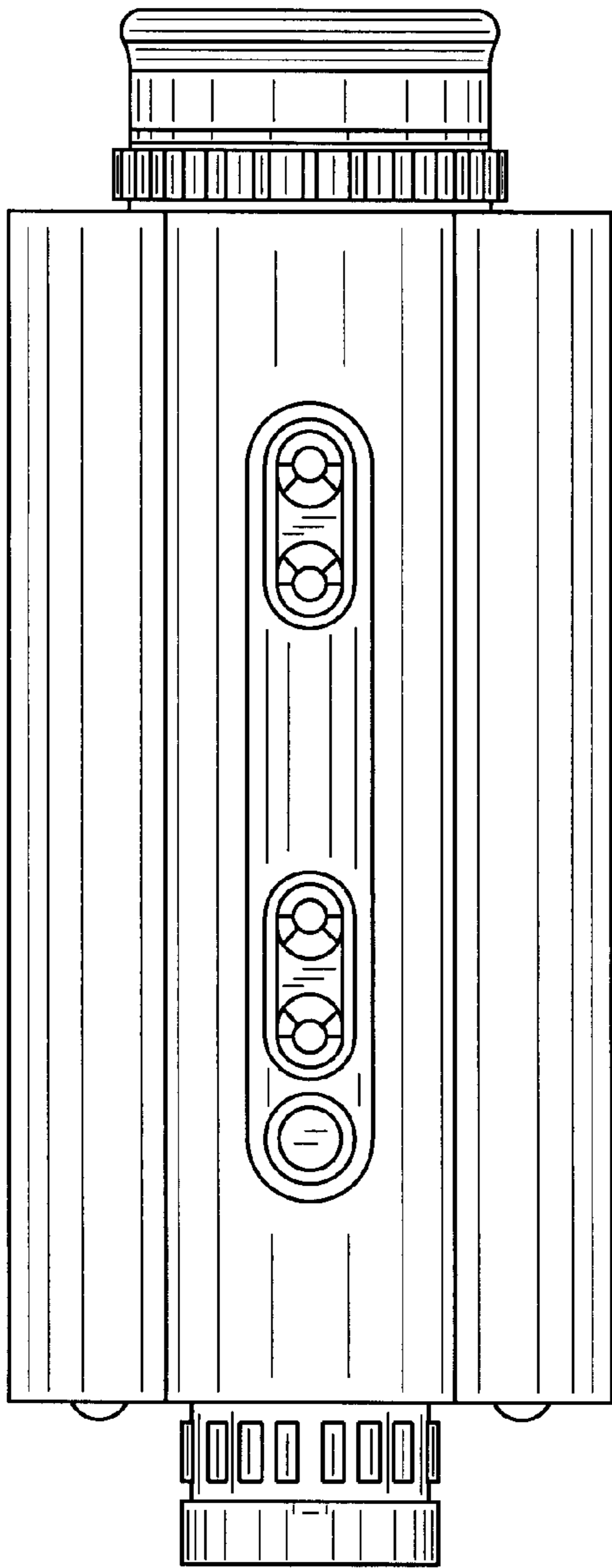


FIG. 2

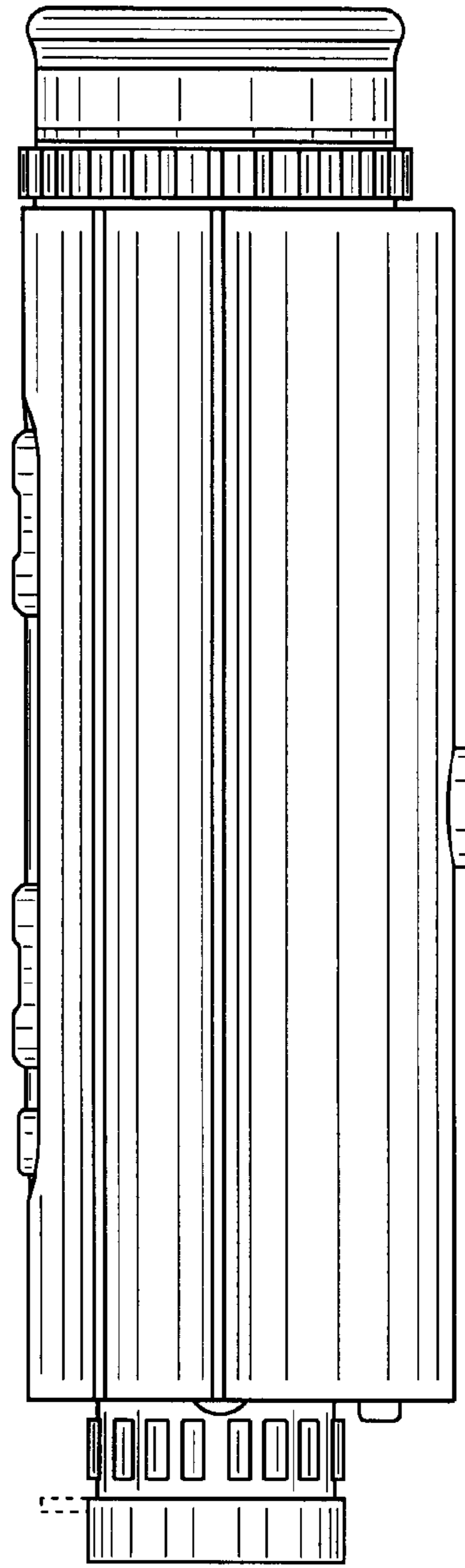


FIG. 3

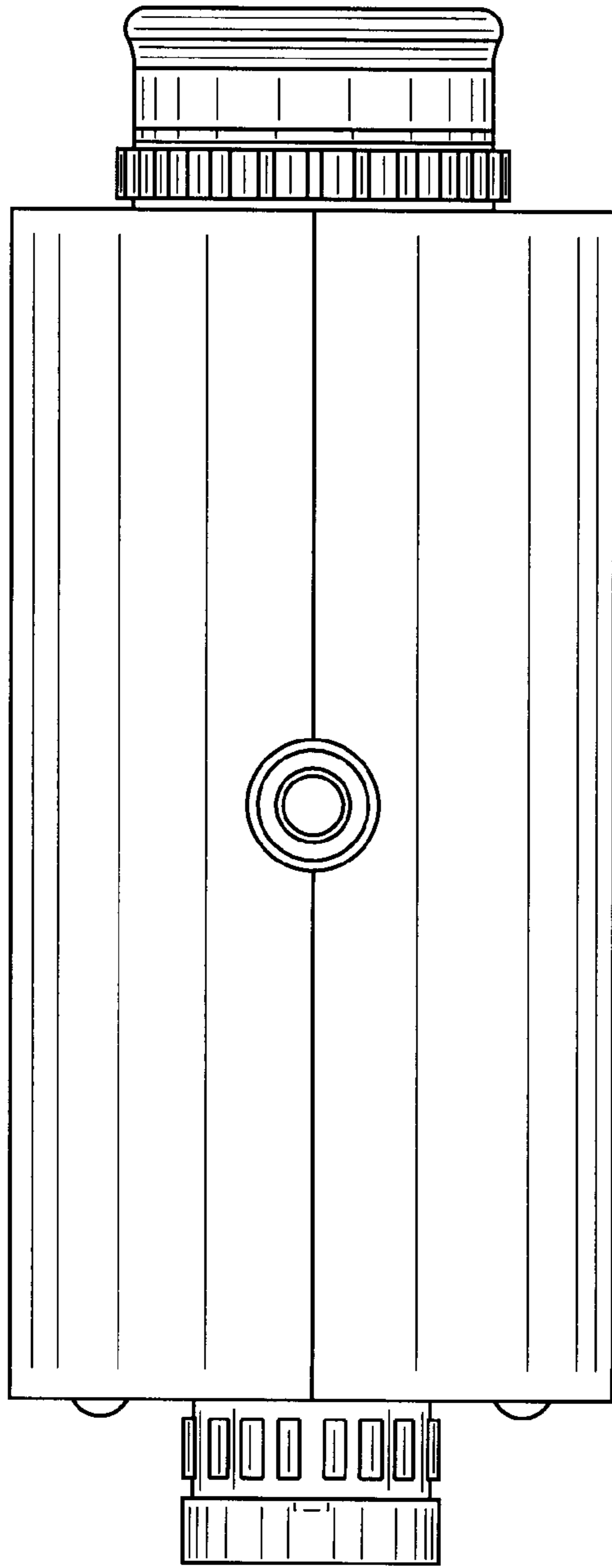


FIG. 4

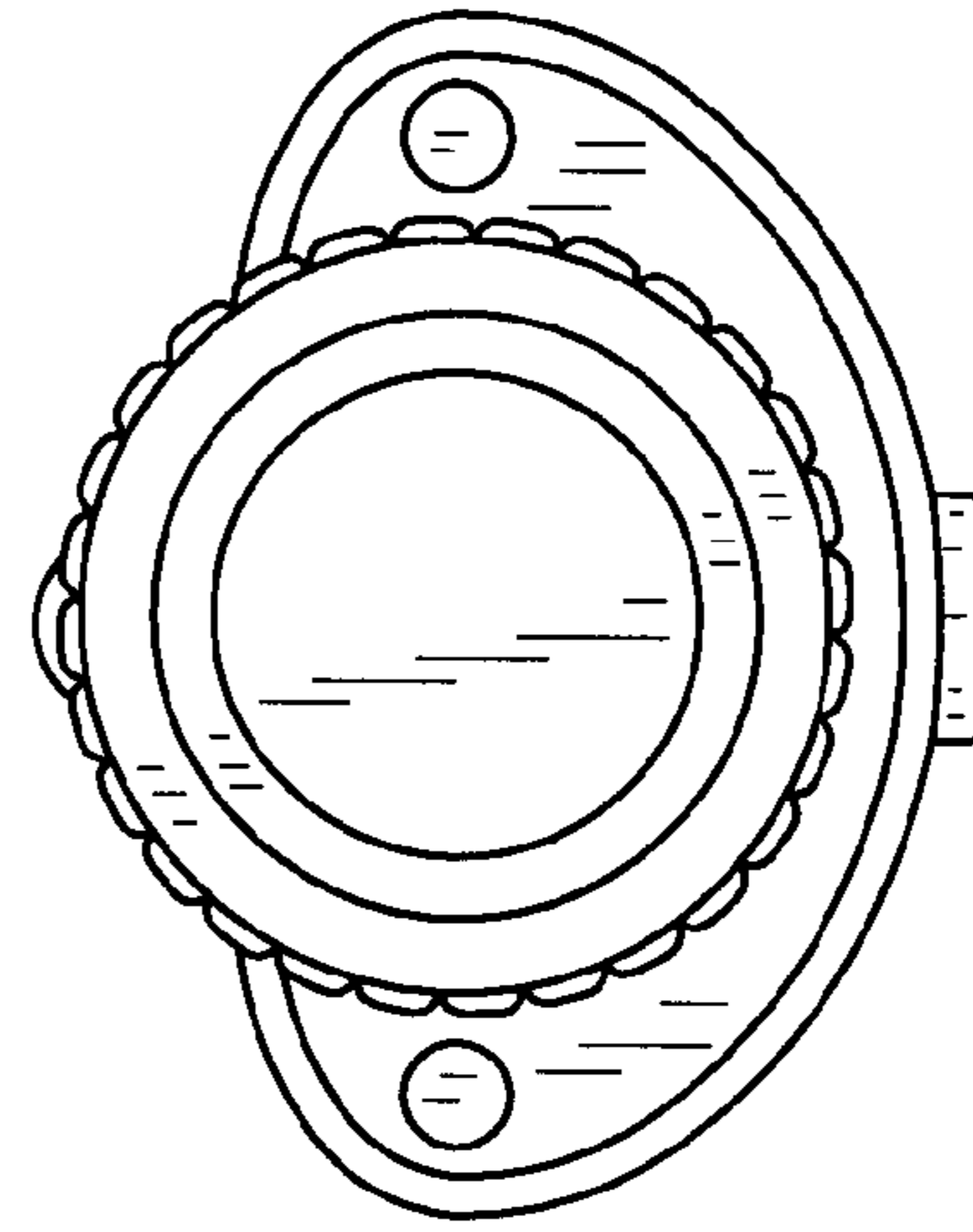


FIG. 6

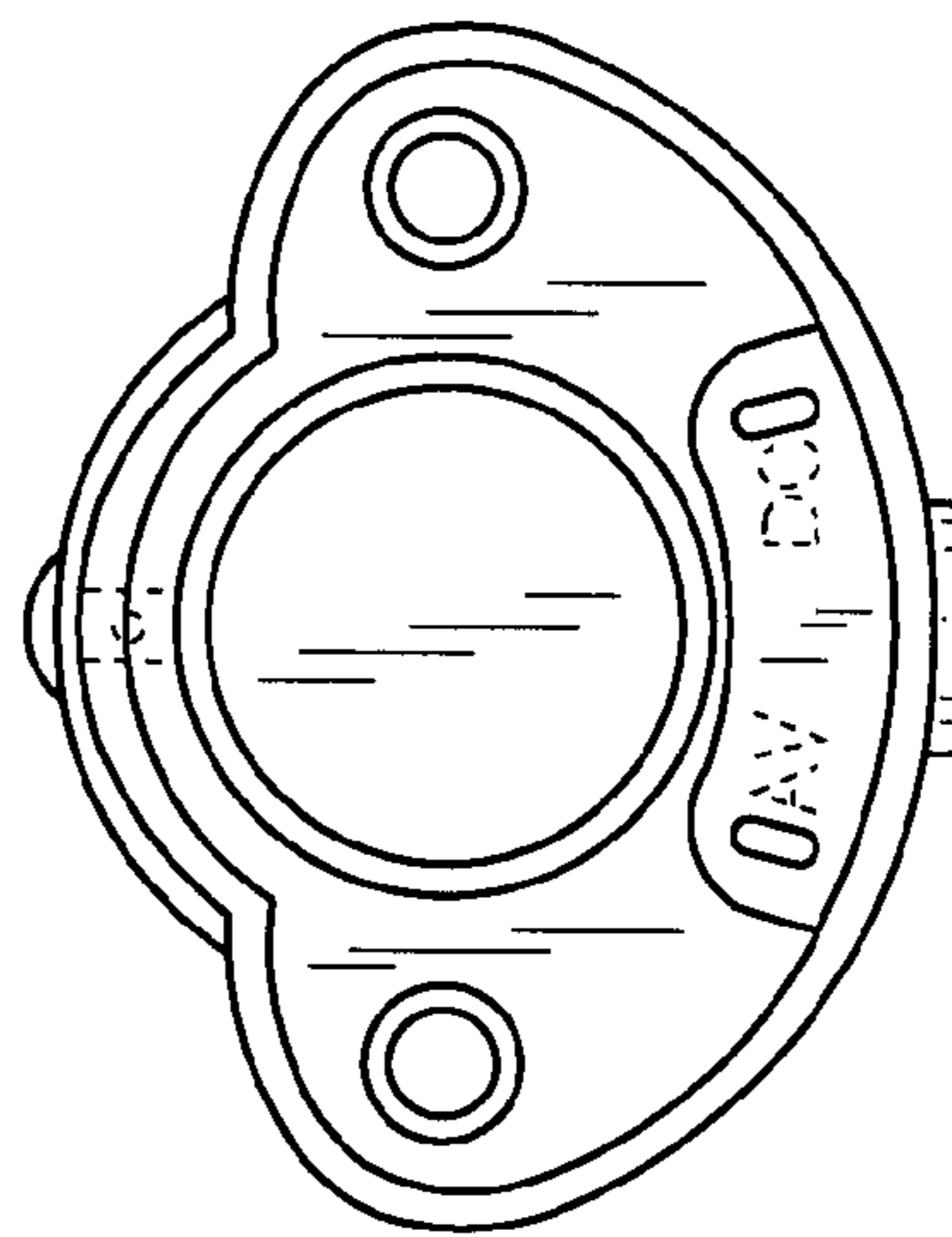


FIG. 5