



US00D539316S

(12) **United States Design Patent**
Tempel

(10) **Patent No.:** **US D539,316 S**
(45) **Date of Patent:** **** Mar. 27, 2007**

(54) **BRAKE CUTTING TOOL**

(76) Inventor: **Daryl K. Tempel**, 1726 E. Lambright,
Tampa, FL (US) 33610

(**) Term: **14 Years**

(21) Appl. No.: **29/228,885**

(22) Filed: **Apr. 29, 2005**

(51) **LOC (8) Cl.** **15-09**

(52) **U.S. Cl.** **D15/139**

(58) **Field of Classification Search** D15/139;
407/107-119

See application file for complete search history.

(56) **References Cited**

U.S. PATENT DOCUMENTS

916,407	A	*	3/1909	Barry, Jr.	407/112
2,645,471	A	*	7/1953	King	299/112 R
5,477,755	A	*	12/1995	Blakesley et al.	76/101.1
D381,029	S	*	7/1997	Bartlett	D15/139
D459,741	S	*	7/2002	Erickson	D15/139

* cited by examiner

Primary Examiner—Antoine D. Davis

Assistant Examiner—Patricia Palasik

(74) *Attorney, Agent, or Firm*—Russell Slifer

(57) **CLAIM**

The ornamental design for a brake cutting tool, as shown and described.

DESCRIPTION

FIG. 1 is a front perspective view of a second brake cutting tool of the set of cutting tools incorporating a design according to the invention.

FIG. 2 is a front view of the brake cutting tool of FIG. 1.

FIG. 3 is a back view of the brake cutting tool of FIG. 1.

FIG. 4 is a top view of the brake cutting tool of FIG. 1.

FIG. 5 is a bottom side view of the brake cutting tool of FIG. 1.

FIG. 6 is a left end view of the brake cutting tool of FIG. 1.

FIG. 7 is a right end view of the brake cutting tool of FIG. 1.

FIG. 8 is a front perspective view of a third brake cutting tool of the set of cutting tools incorporating a design according to the invention.

FIG. 9 is a front view of the brake cutting tool of FIG. 8.

FIG. 10 is a back view of the brake cutting tool of FIG. 8.

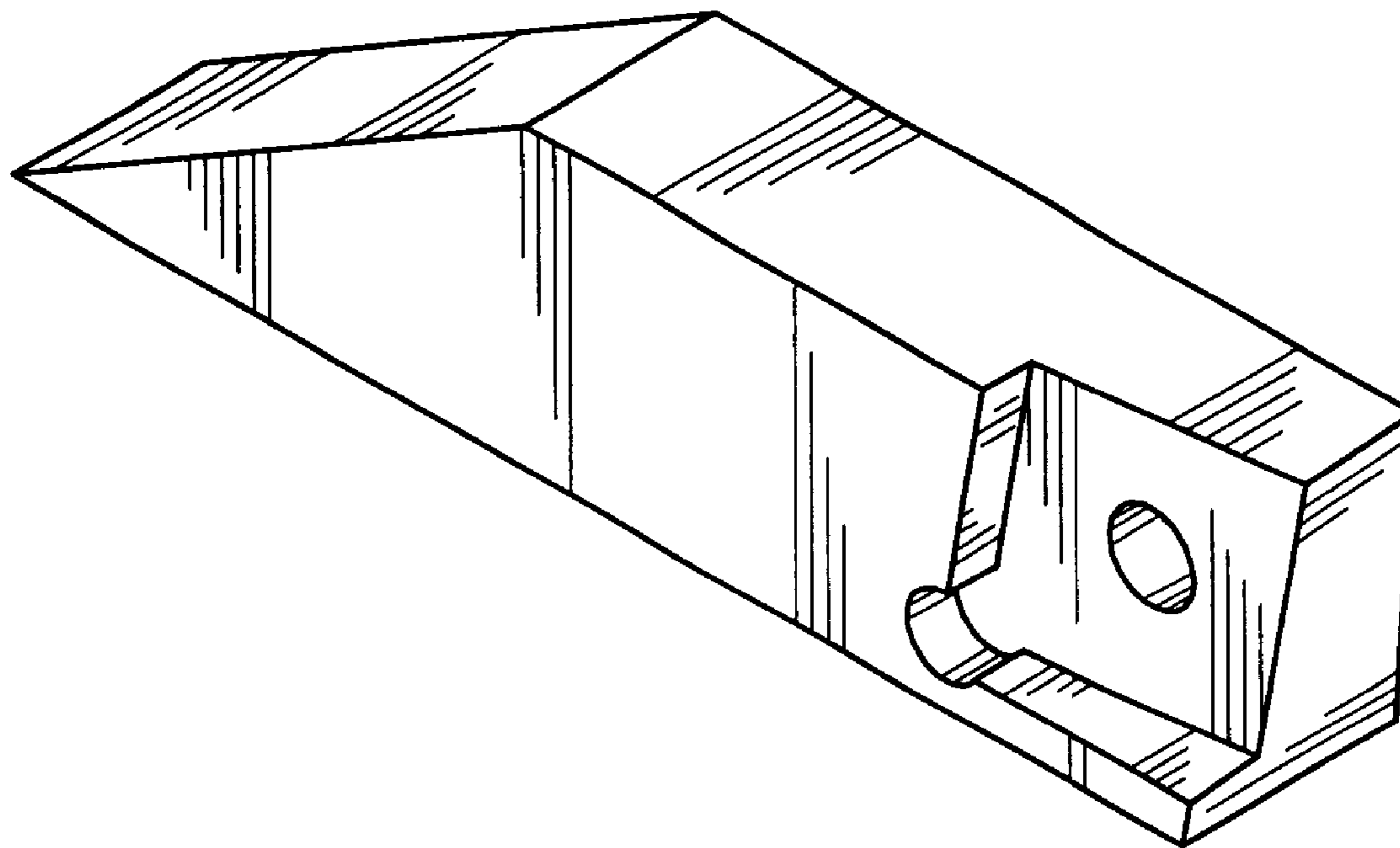
FIG. 11 is a top view of the brake cutting tool of FIG. 8.

FIG. 12 is a bottom side view of the brake cutting tool of FIG. 8.

FIG. 13 is a left end view of the brake cutting tool of FIG. 8; and,

FIG. 14 is a right end view of the brake cutting tool of FIG. 8.

1 Claim, 4 Drawing Sheets



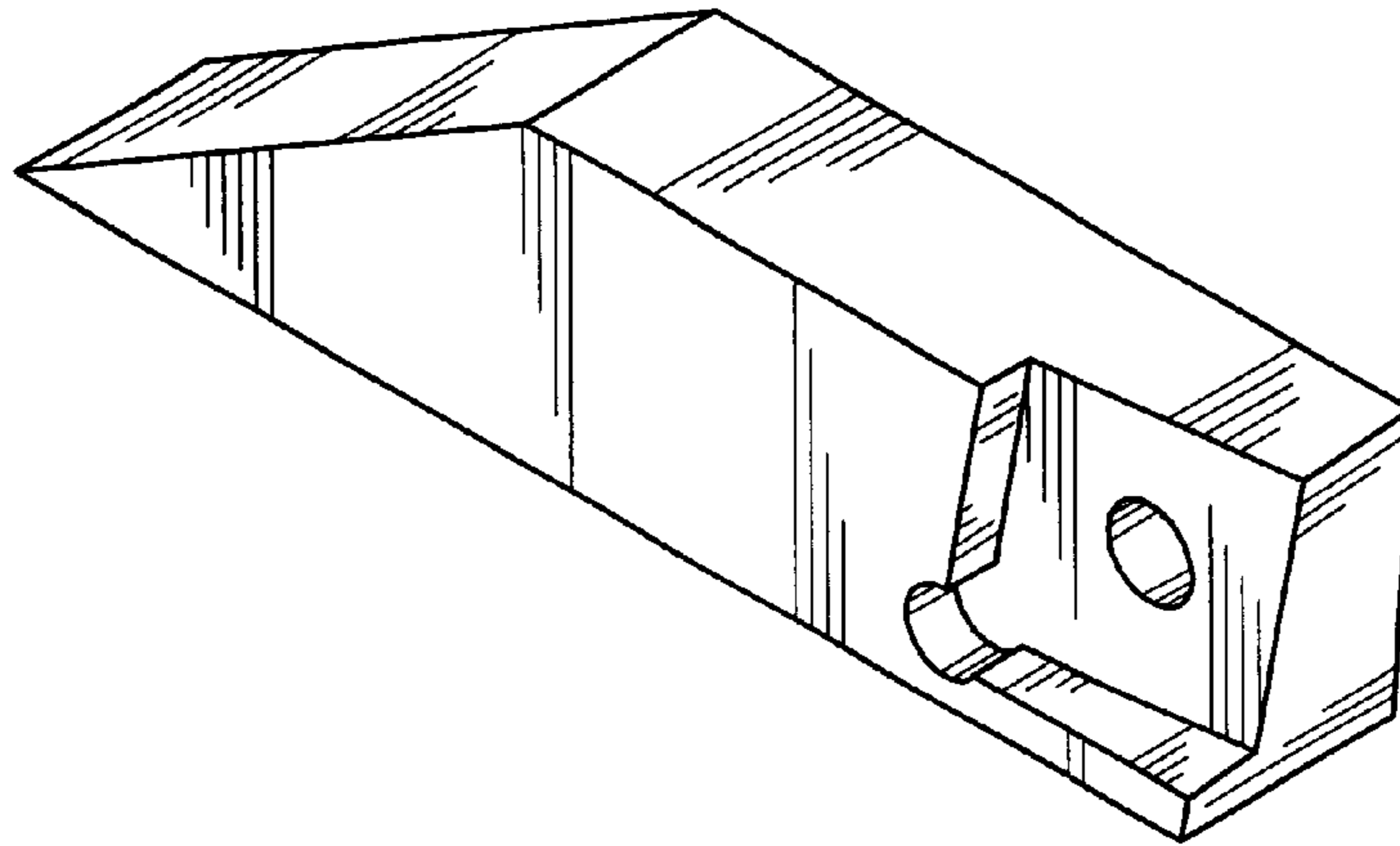


FIG. 1

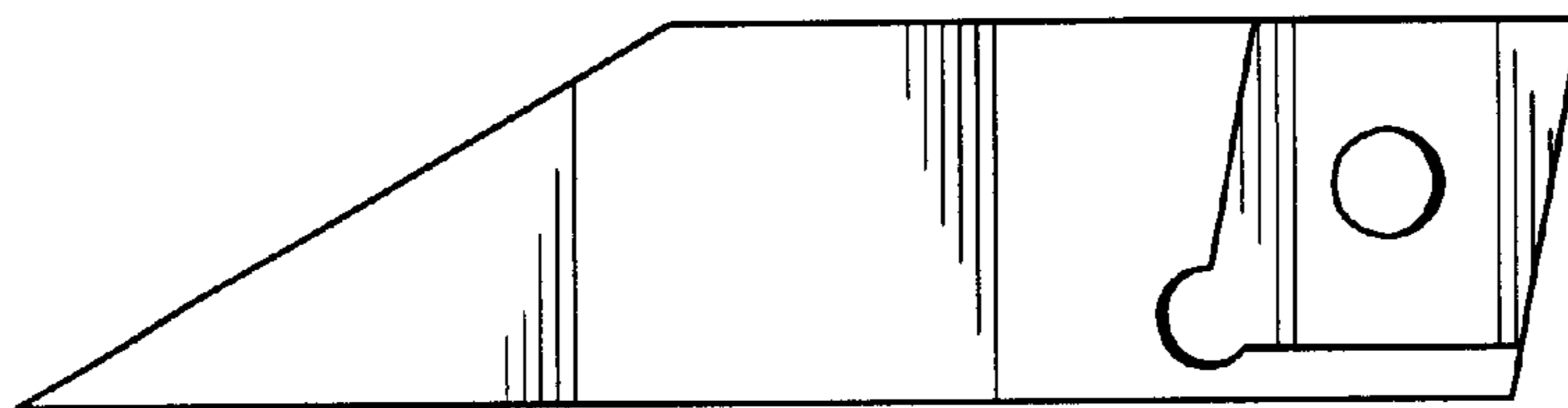


FIG. 2

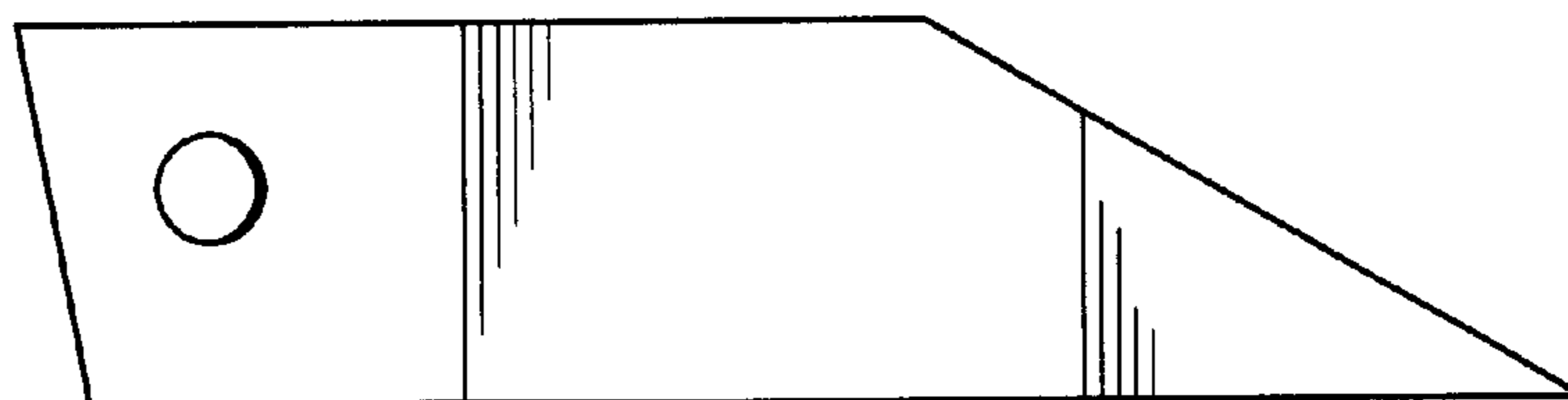


FIG. 3

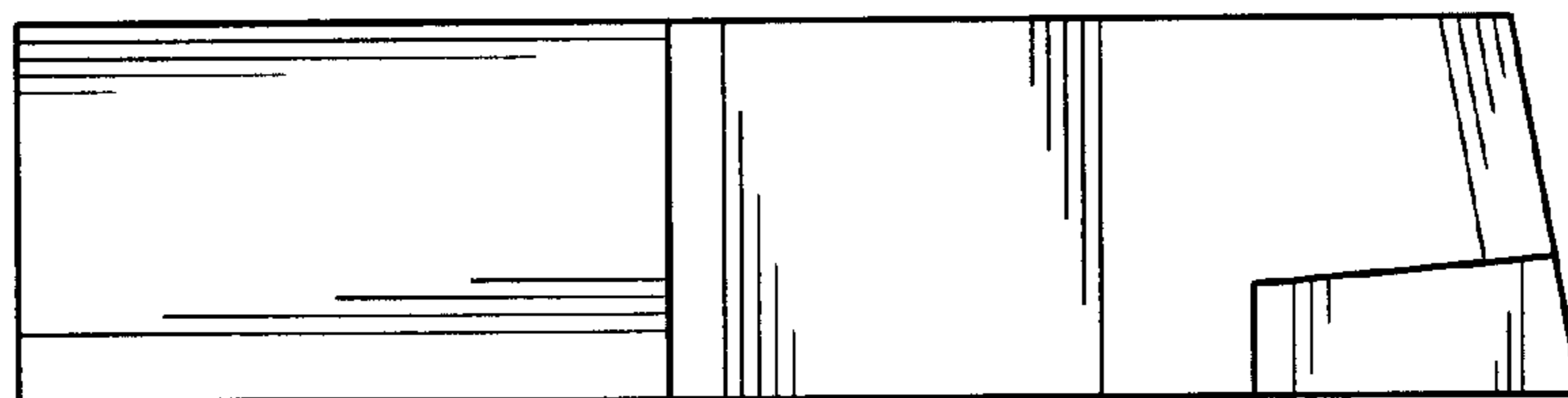


FIG. 4

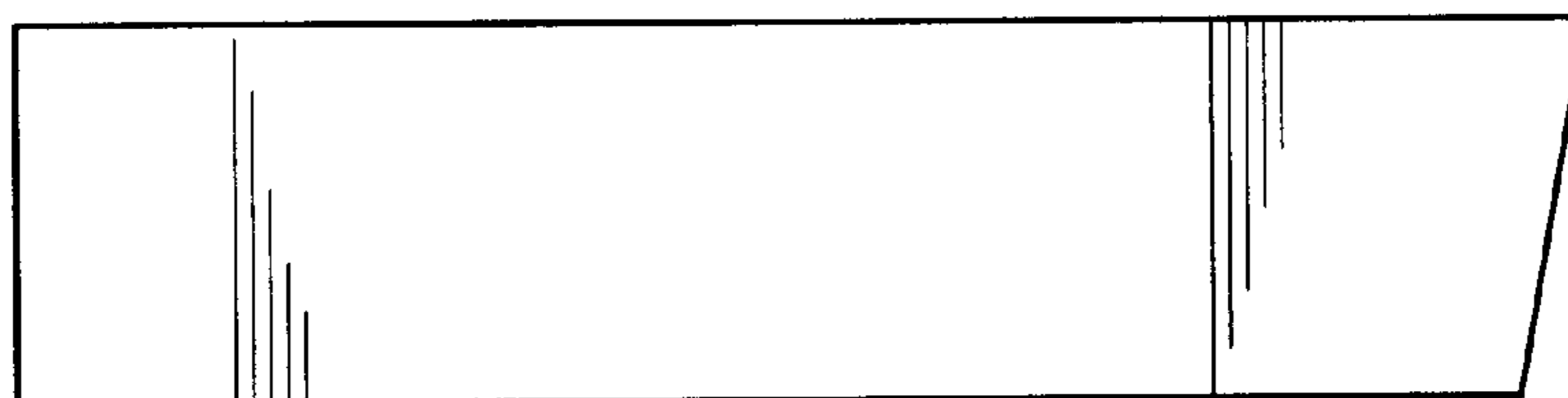


FIG. 5

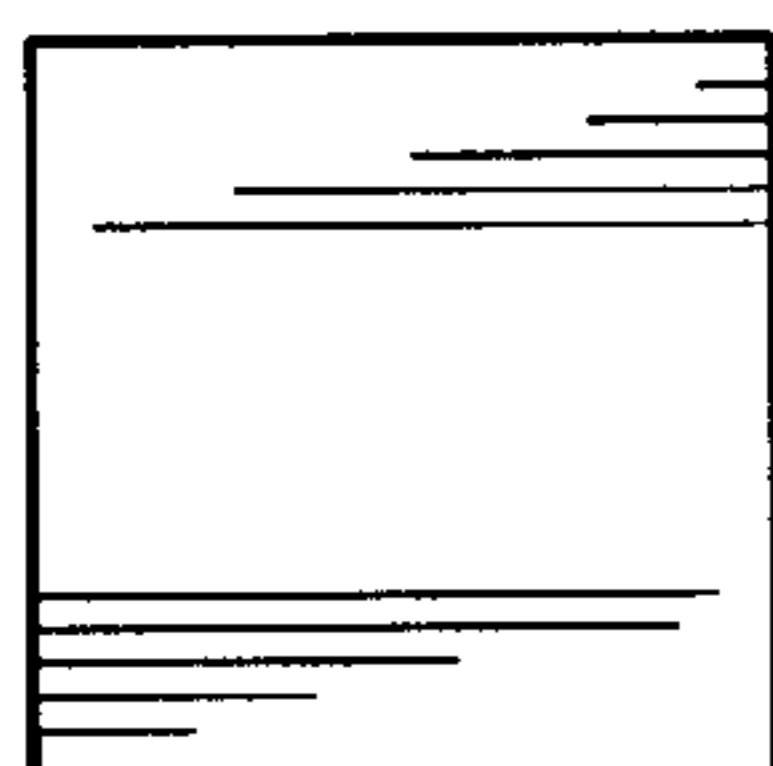


FIG. 6

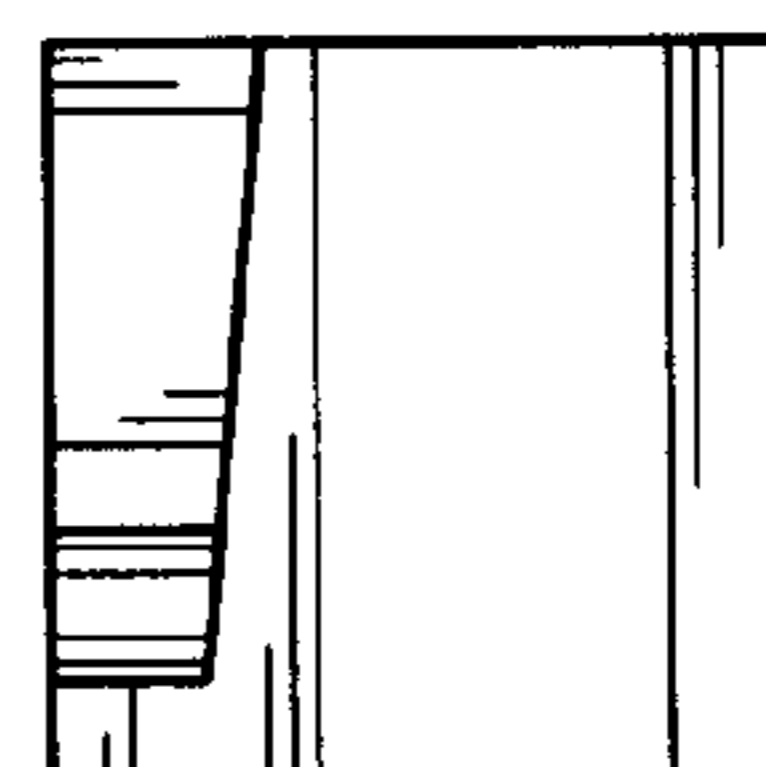


FIG. 7

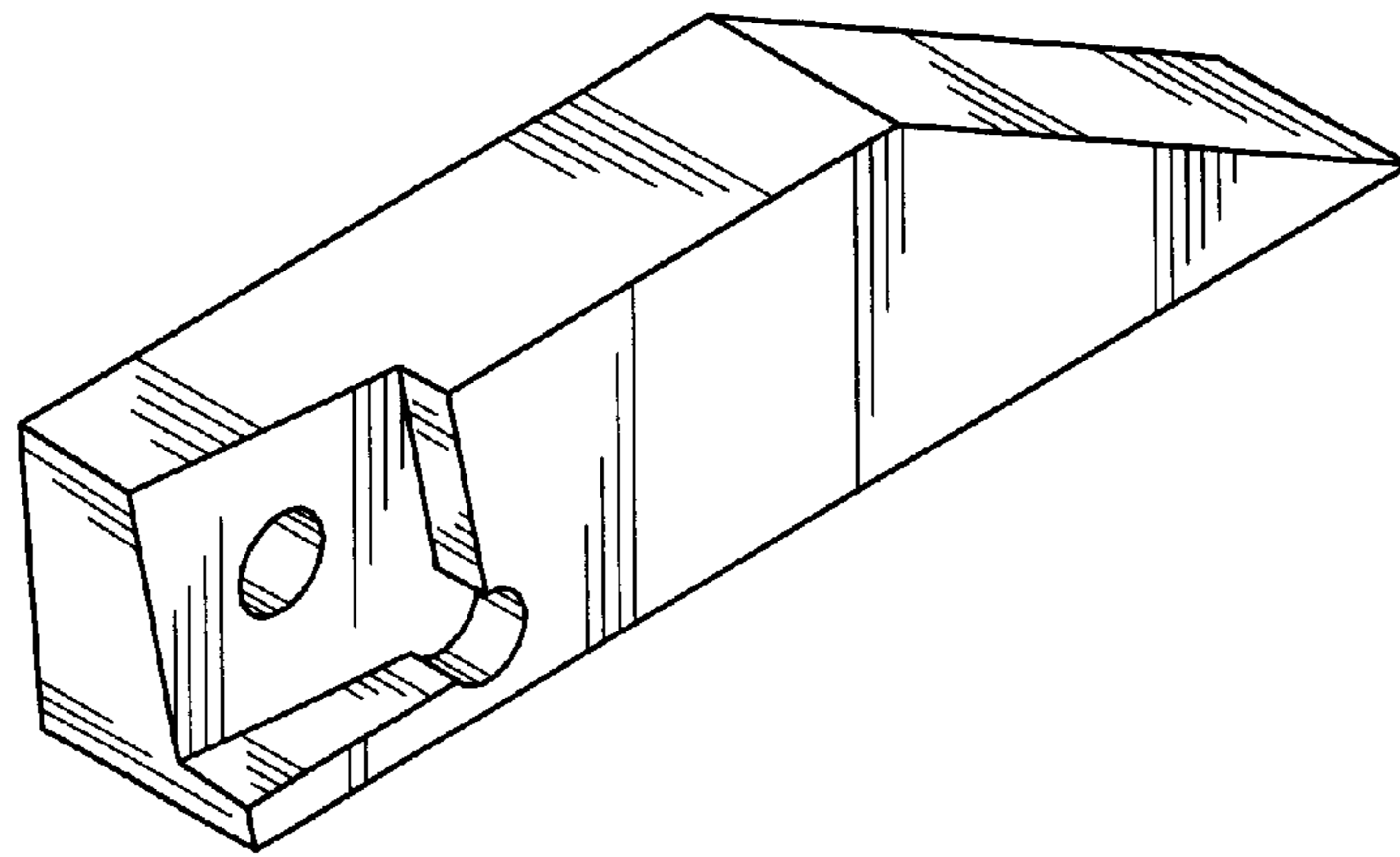


FIG. 8

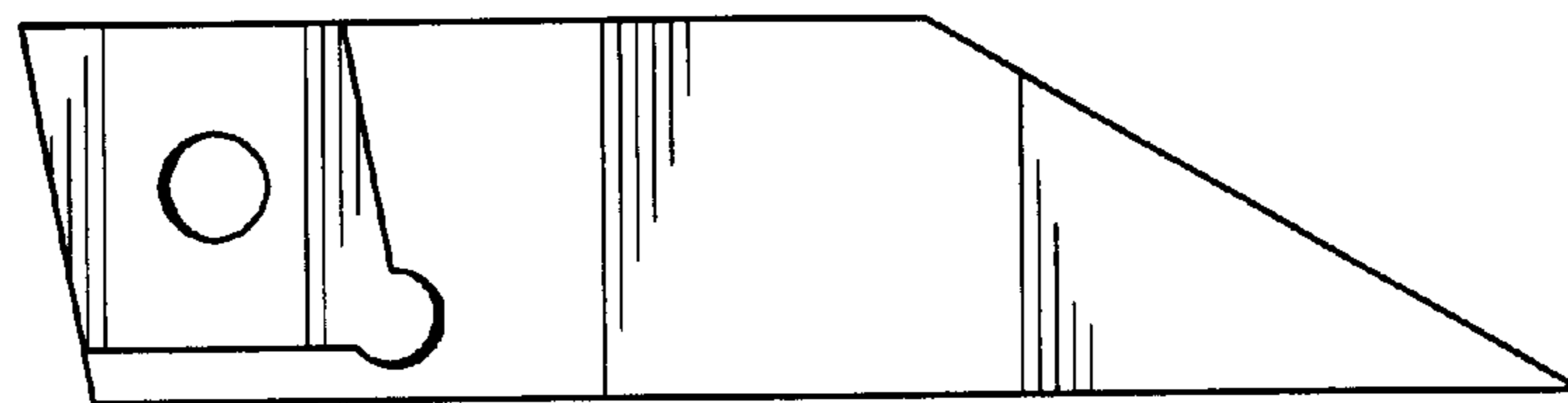


FIG. 9

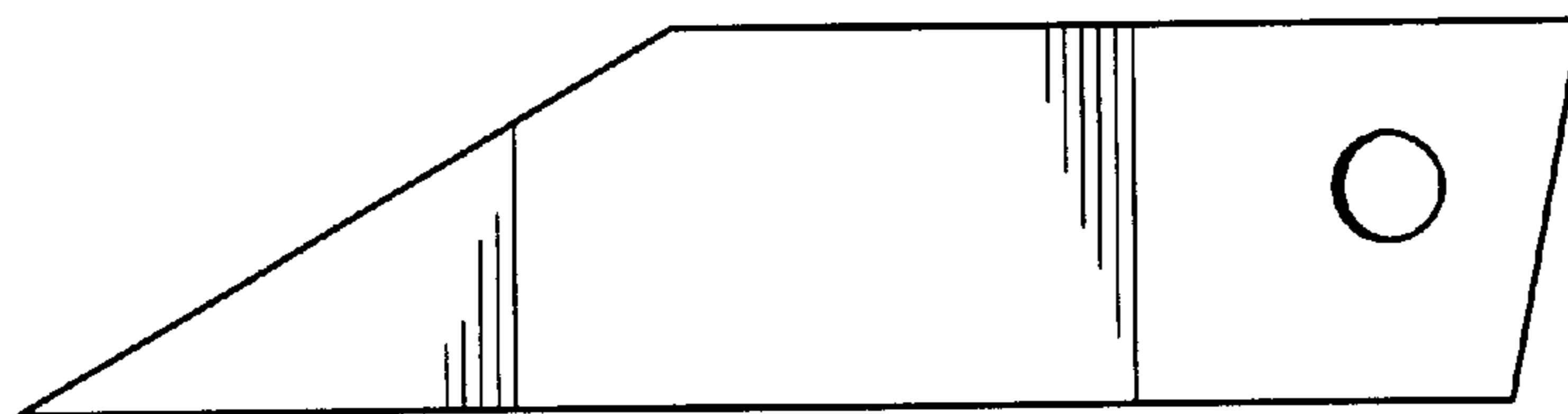


FIG. 10

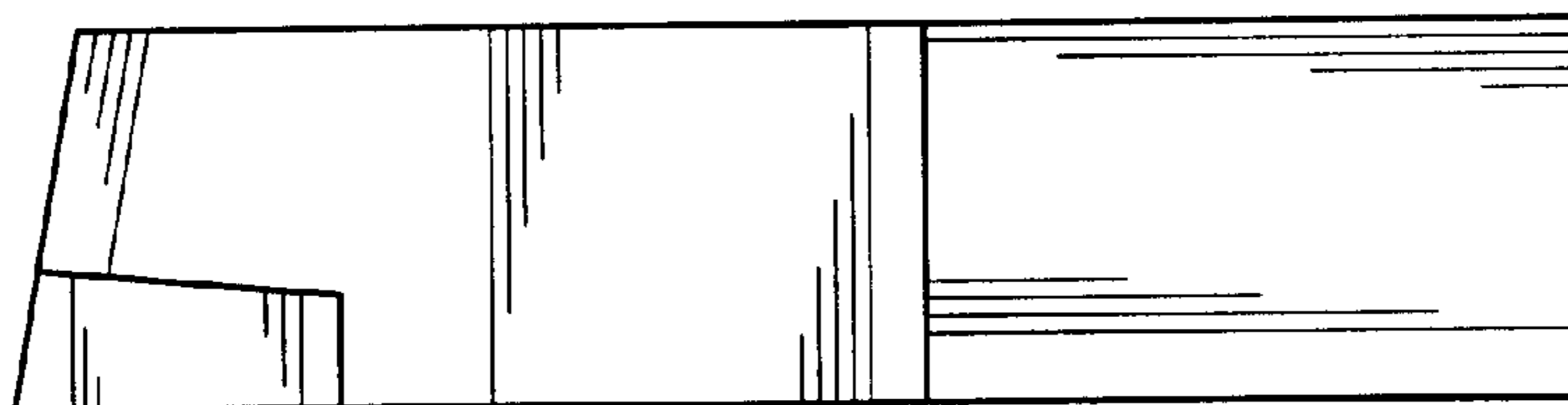


FIG. 11

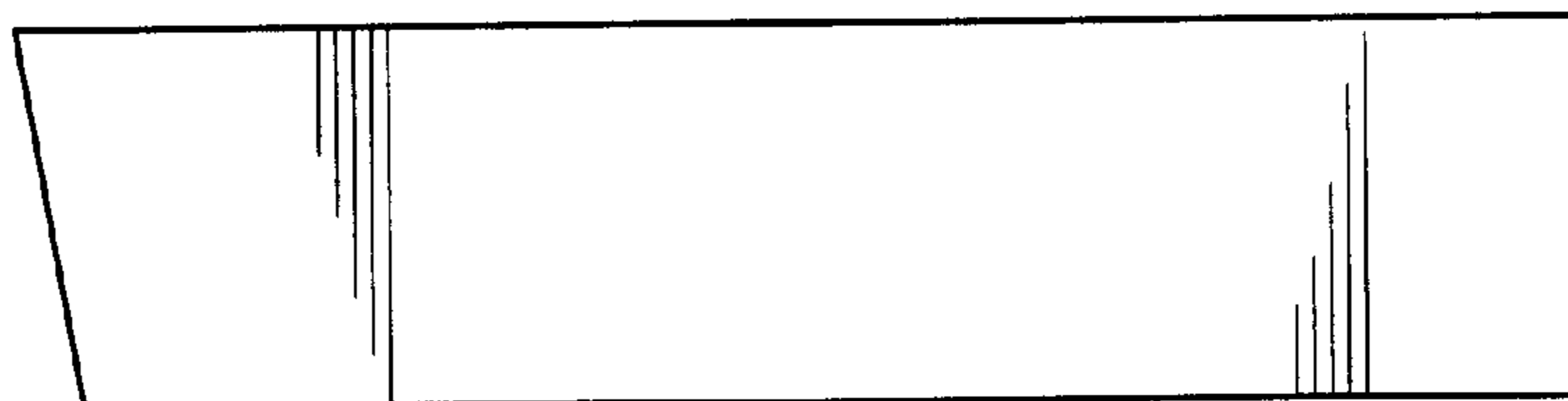


FIG. 12

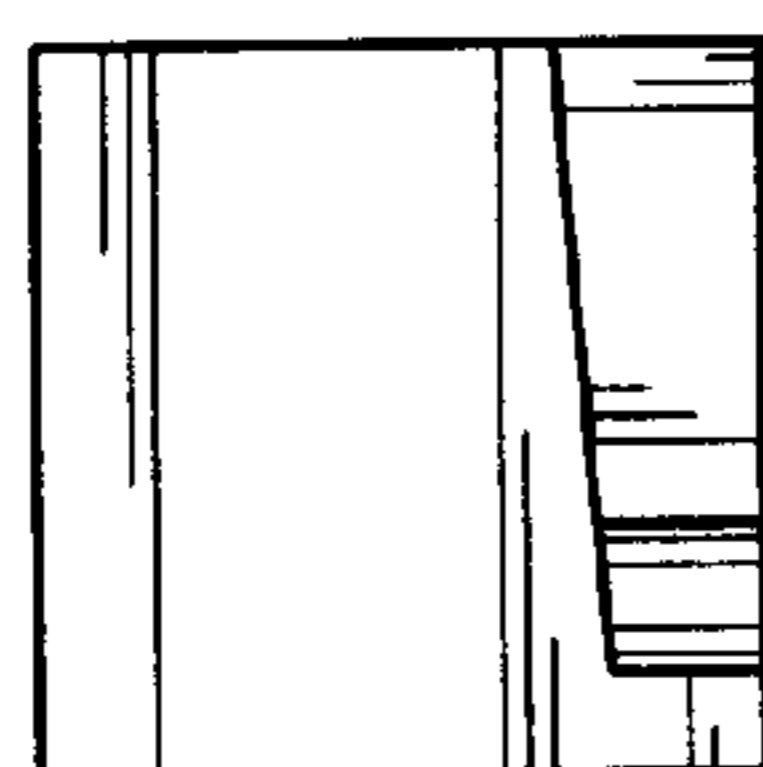


FIG. 13

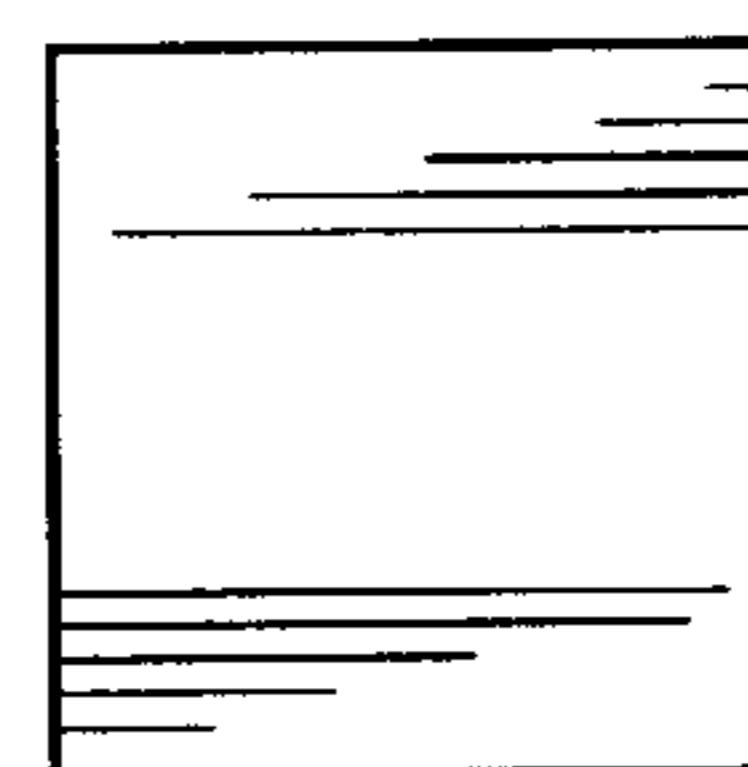


FIG. 14