

US00D539314S

(12) **United States Design Patent**  
**Buies**

(10) **Patent No.:** **US D539,314 S**

(45) **Date of Patent:** **\*\* Mar. 27, 2007**

(54) **COUNTER MOLDING TEMPLATE**

(76) **Inventor:** **Jacques Buies**, 1465, Avenue Ronsard,  
Québec (Québec) (CA), G1P 2A3

(\*\*) **Term:** **14 Years**

(21) **Appl. No.:** **29/230,532**

(22) **Filed:** **May 24, 2005**

(30) **Foreign Application Priority Data**

Feb. 28, 2005 (CA) ..... 110138

(51) **LOC (8) Cl.** ..... **15-09**

(52) **U.S. Cl.** ..... **D15/136**

(58) **Field of Classification Search** ..... D15/135,  
D15/136; 33/97, 98, 102, 103; 72/462, 470,  
72/475, 478; 144/27, 85, 144.1, 144.51, 145.1,  
144/346; 156/250, 256, 297; 249/15; 264/138,  
264/259, 260; 409/125, 130, 182; 425/110,  
425/404, 406

See application file for complete search history.

(56) **References Cited**

**U.S. PATENT DOCUMENTS**

1,842,828 A \* 1/1932 Giuliani ..... 52/778

2,433,318 A \* 12/1947 Chamberlain ..... 12/66

4,102,374 A \* 7/1978 Klein ..... 144/346  
4,356,849 A \* 11/1982 Fredrickson ..... 144/144.1  
D397,703 S \* 9/1998 Williamson ..... D15/136  
D502,186 S \* 2/2005 McClung ..... D15/136  
2004/0222550 A1 \* 11/2004 Baldoni ..... 264/259  
2005/0252603 A1 \* 11/2005 Rule ..... 425/406

\* cited by examiner

*Primary Examiner*—Antoine D. Davis

*Assistant Examiner*—Patricia Palasik

(74) *Attorney, Agent, or Firm*—Ogilvy Renault, LLP

(57) **CLAIM**

A ornamental design for a counter molding template, as shown.

**DESCRIPTION**

FIG. 1 is a perspective view of a counter molding template, showing my new design;

FIG. 2 is a front elevation view thereof;

FIG. 3 is a rear elevation view thereof;

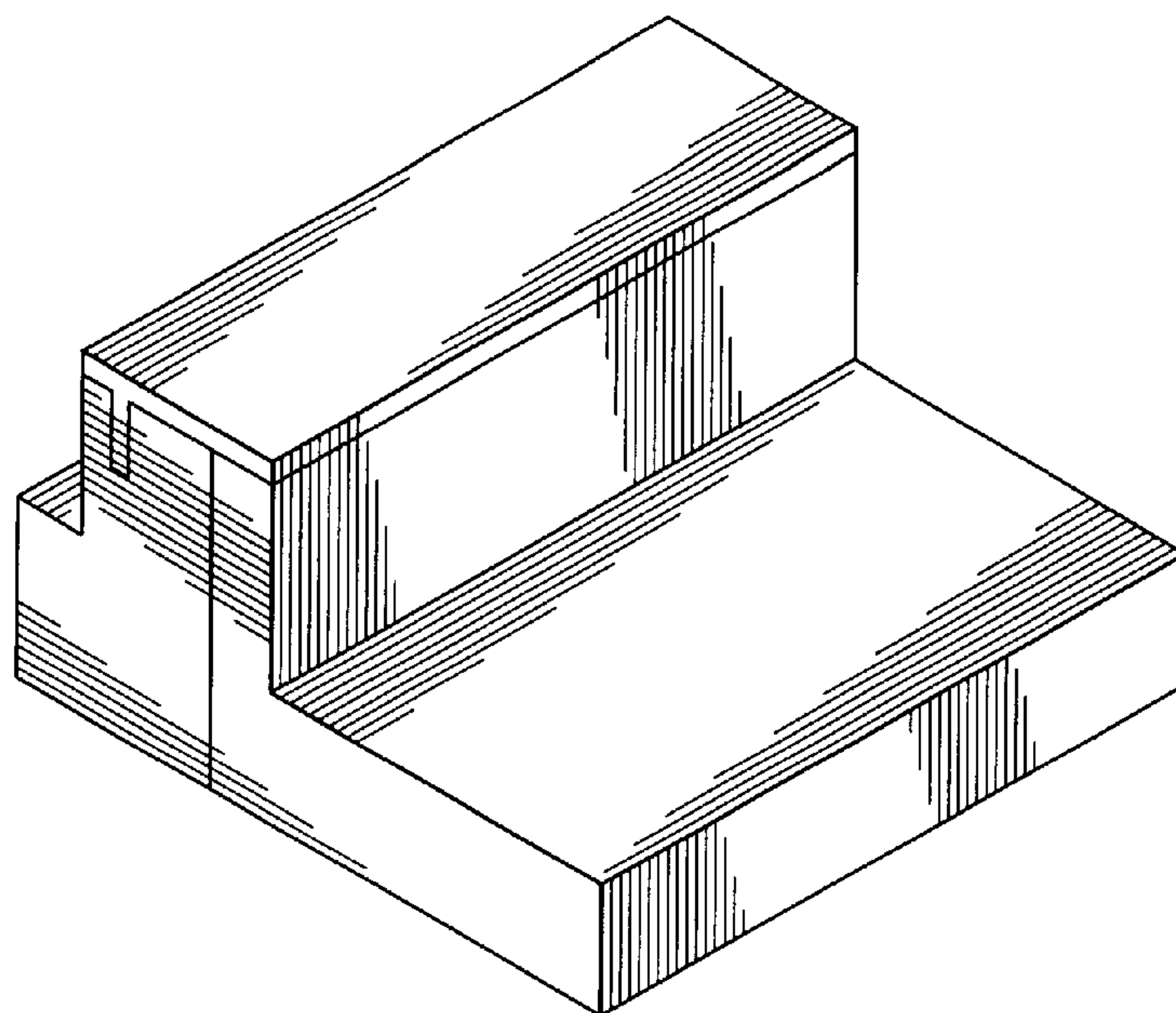
FIG. 4 is a side elevation view thereof;

FIG. 5 is a top plan view thereof;

FIG. 6 is a bottom plan view thereof; and,

FIG. 7 is an exploded perspective view thereof.

**1 Claim, 3 Drawing Sheets**



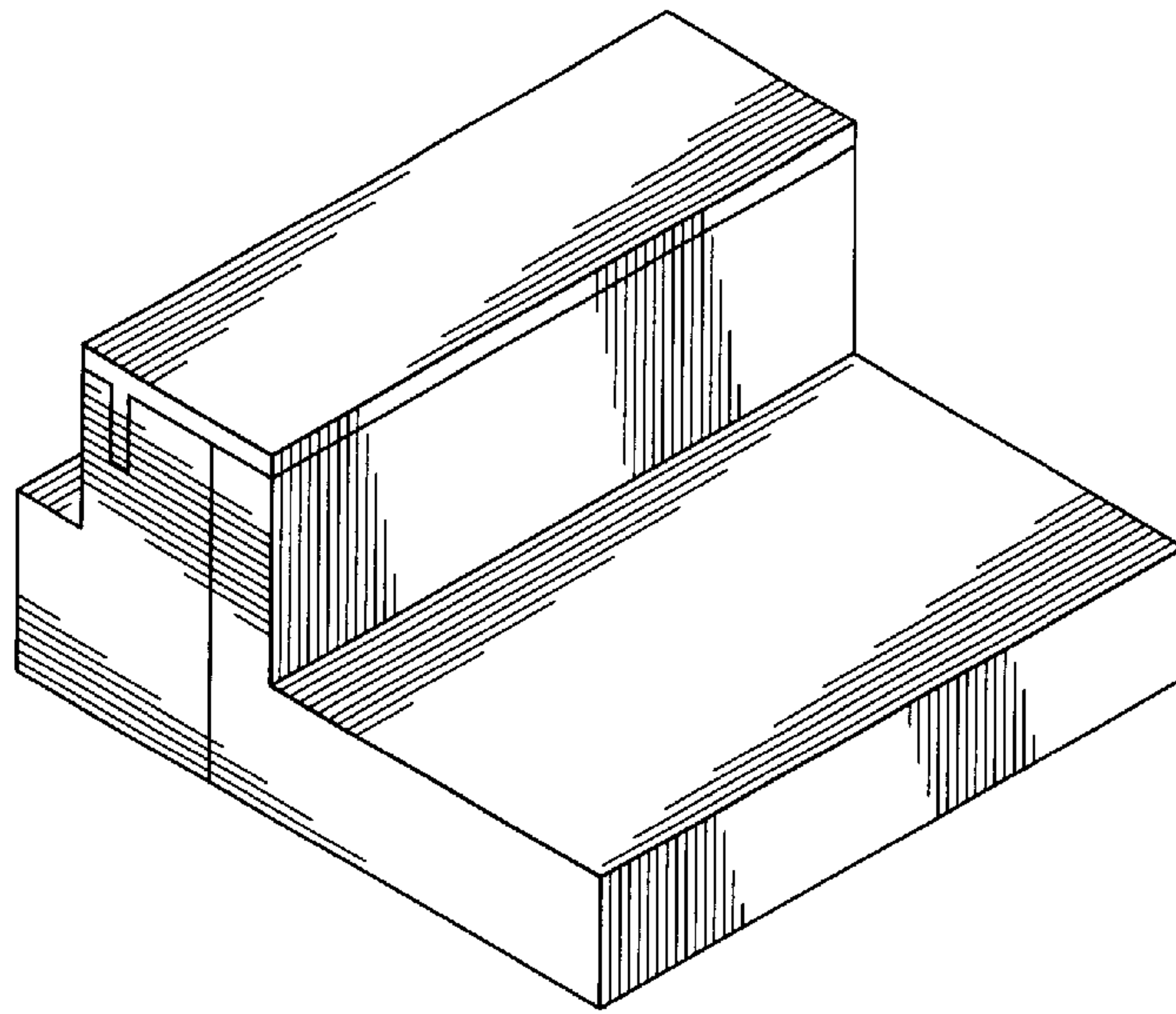


FIG. 1

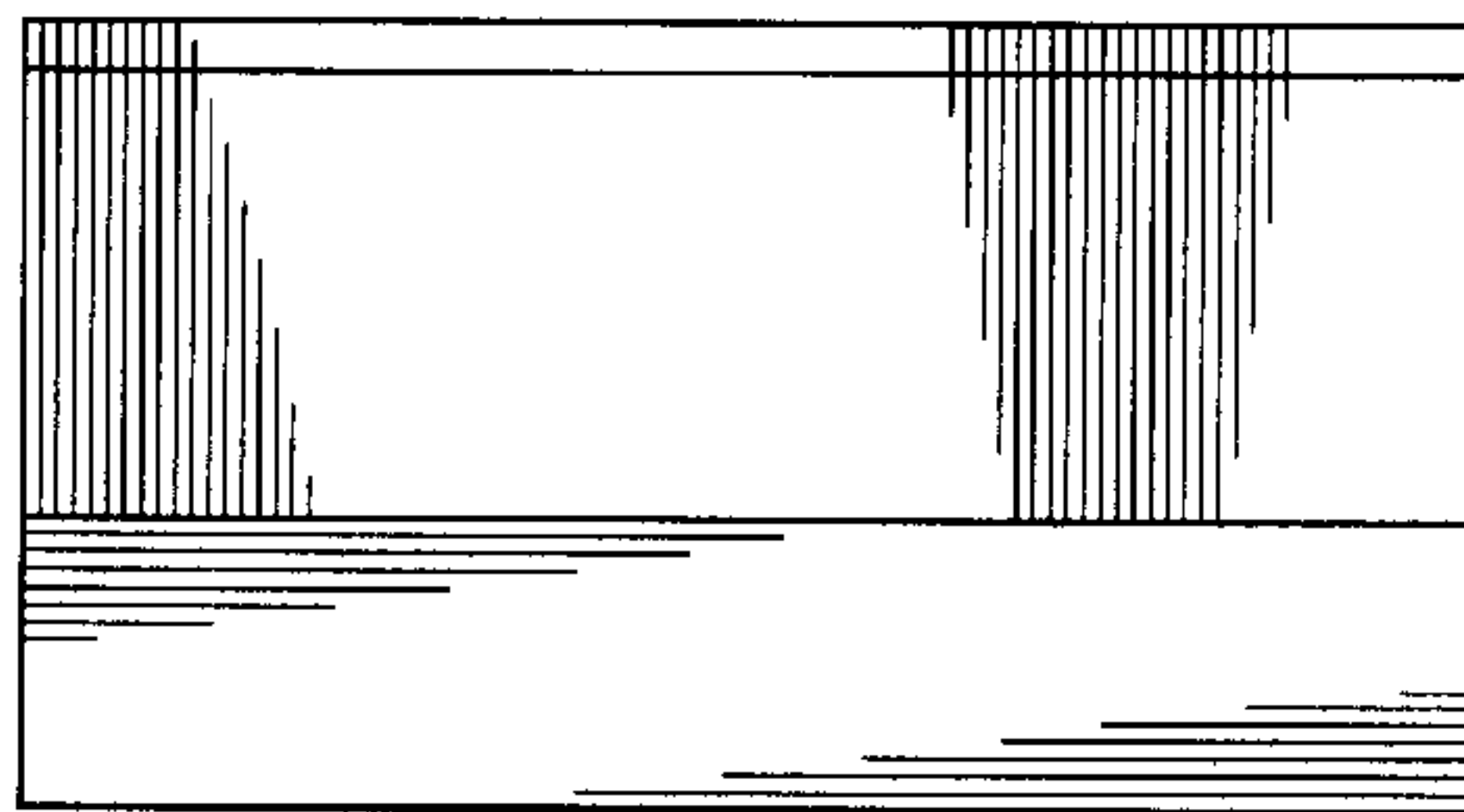


FIG. 2

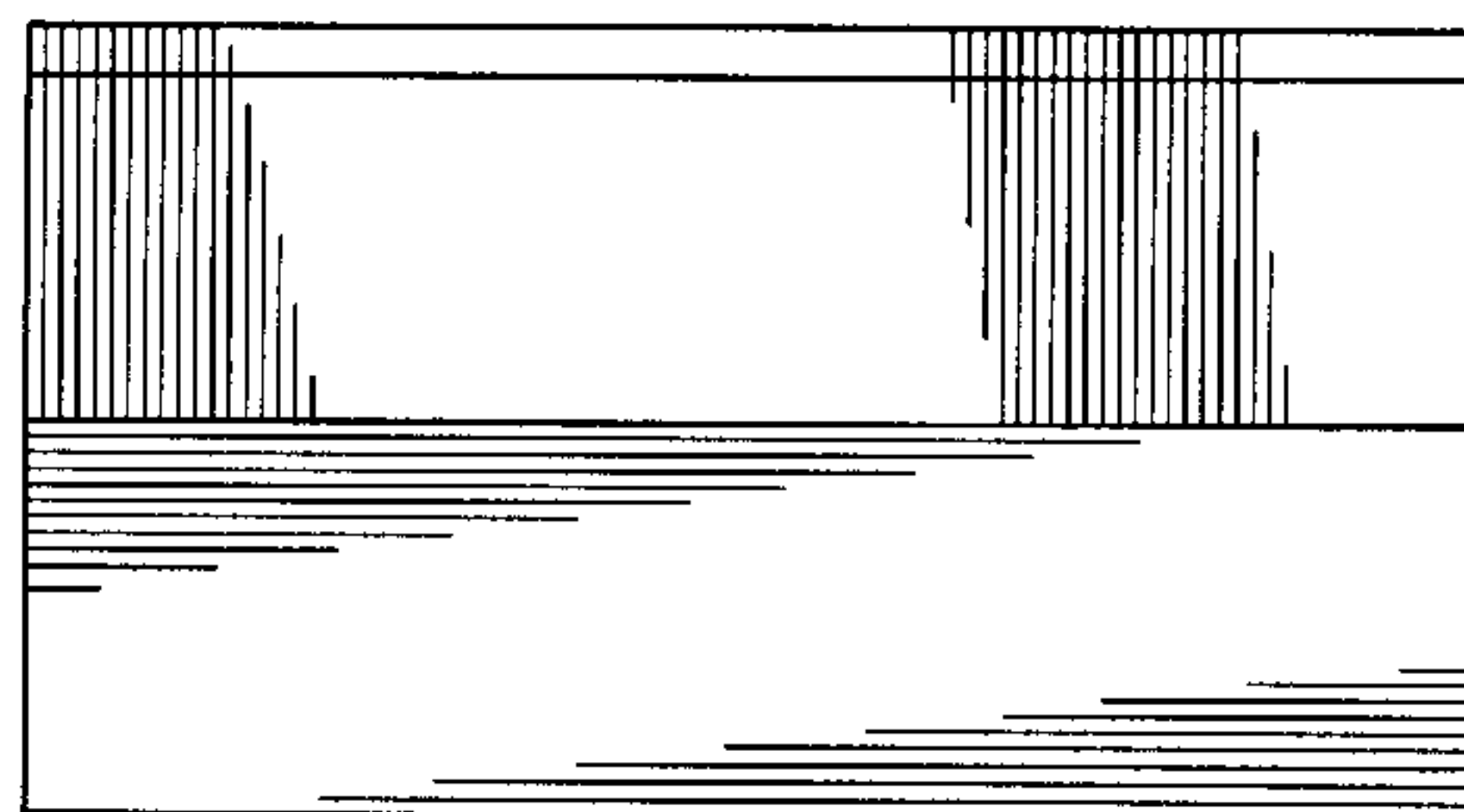


FIG. 3



FIG. 4



FIG. 5

