



US00D539313S

(12) **United States Design Patent**  
**Chang**

(10) **Patent No.:** **US D539,313 S**

(45) **Date of Patent:** **\*\* Mar. 27, 2007**

(54) **BODY OF THE BAND SAW MACHINE**

6,601,493 B1 \* 8/2003 Crofutt ..... 83/438  
2003/0005805 A1 \* 1/2003 Lee ..... 83/816

(75) Inventor: **Richard Chang**, Fang Yuan (TW)

\* cited by examiner

(73) Assignee: **Kingsand Machinery Ltd.**, Taichung  
Hsien (TW)

*Primary Examiner*—Antoine D. Davis

*Assistant Examiner*—Patricia Palasik

(\*\*) Term: **14 Years**

(74) *Attorney, Agent, or Firm*—Troxell Law Office, PLLC

(21) Appl. No.: **29/220,325**

(57) **CLAIM**

(22) Filed: **Dec. 30, 2004**

I claim the ornamental design for a body of the band saw machine, as shown and described.

(51) **LOC (8) Cl.** ..... **15-09**

**DESCRIPTION**

(52) **U.S. Cl.** ..... **D15/134**

(58) **Field of Classification Search** ..... D15/133,  
D15/134; 83/72, 76.7, 814–819

FIG. 1 is a front perspective view of a body of the band saw machine showing my new design;

FIG. 2 is a front elevational view thereof;

FIG. 3 is a rear elevational view thereof.

FIG. 4 is a left side elevational view thereof;

FIG. 5 is a right side elevational view thereof;

FIG. 6 is a top plan view thereof; and,

FIG. 7 is a bottom plan view thereof.

See application file for complete search history.

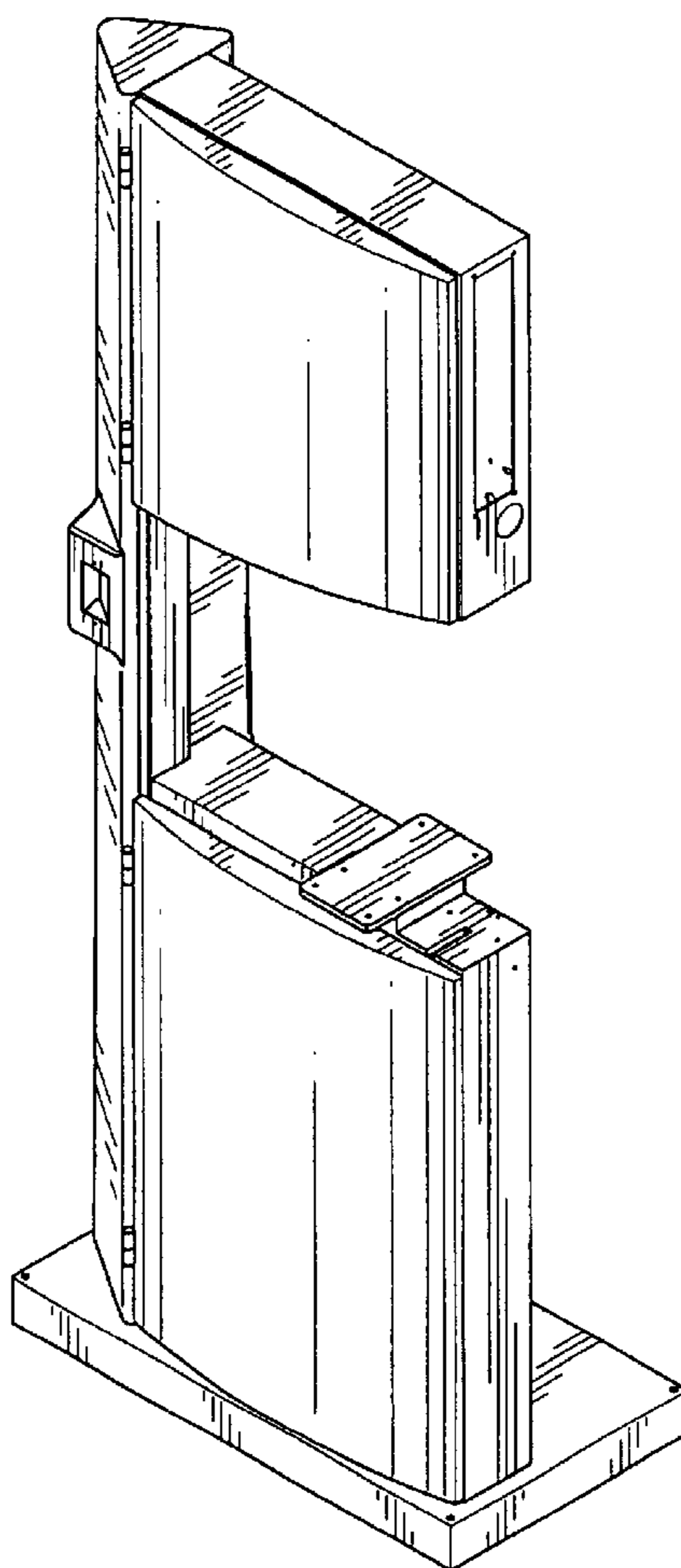
(56) **References Cited**

**U.S. PATENT DOCUMENTS**

D286,537 S \* 11/1986 Yamamoto ..... D15/134

6,595,097 B2 \* 7/2003 Lee ..... 83/814

**1 Claim, 6 Drawing Sheets**



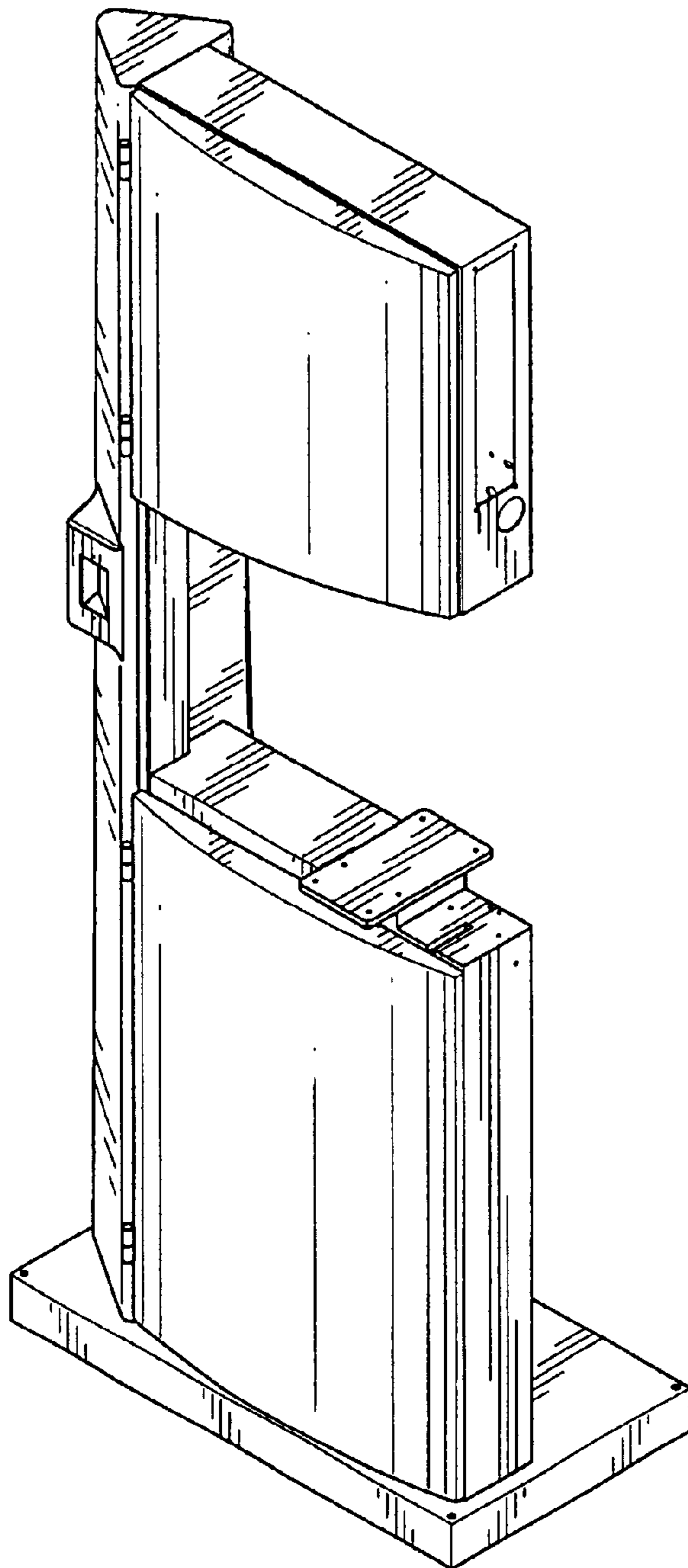


FIG. 1

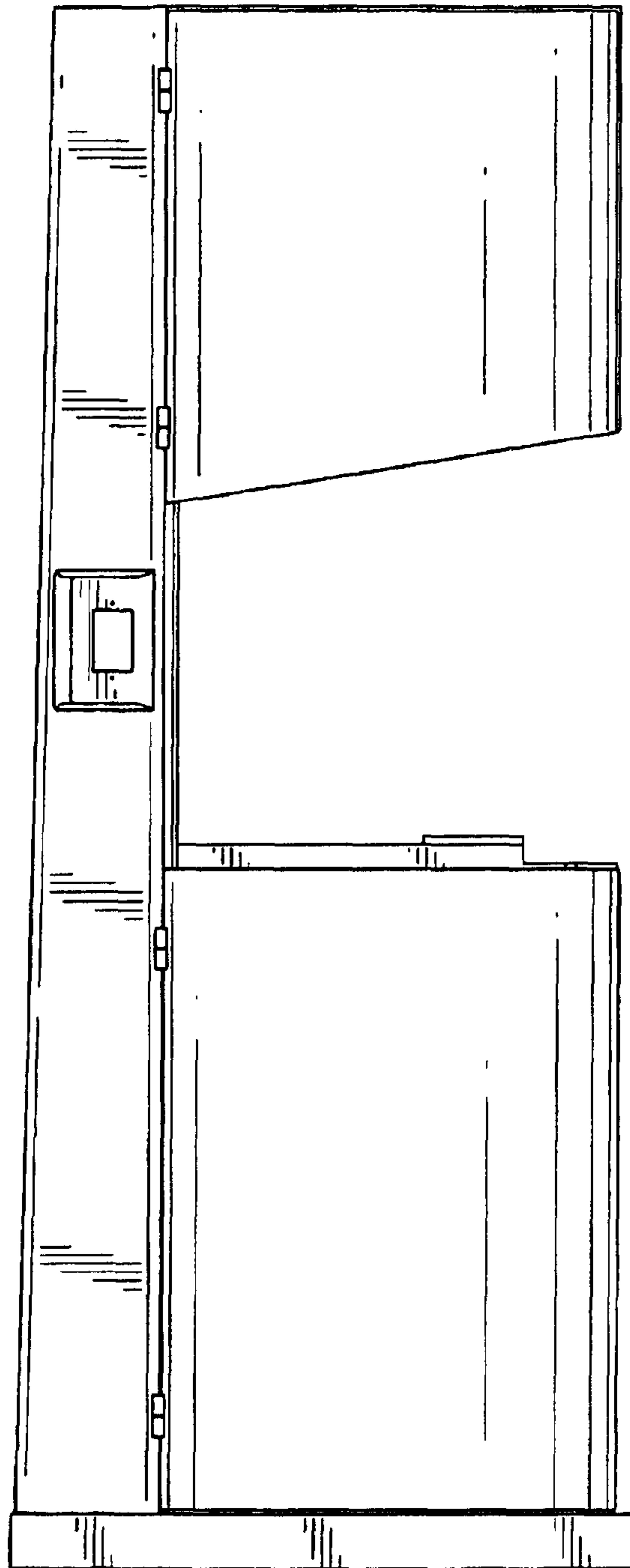


FIG. 2

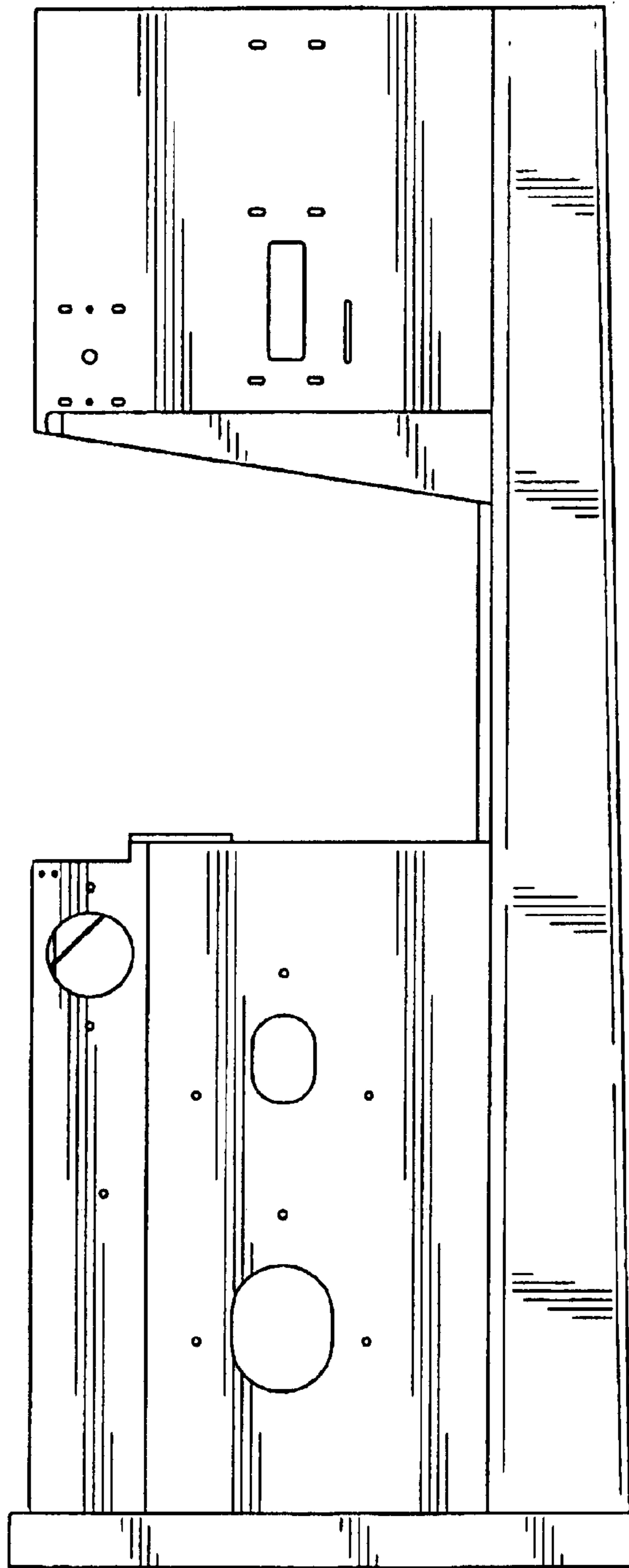


FIG. 3

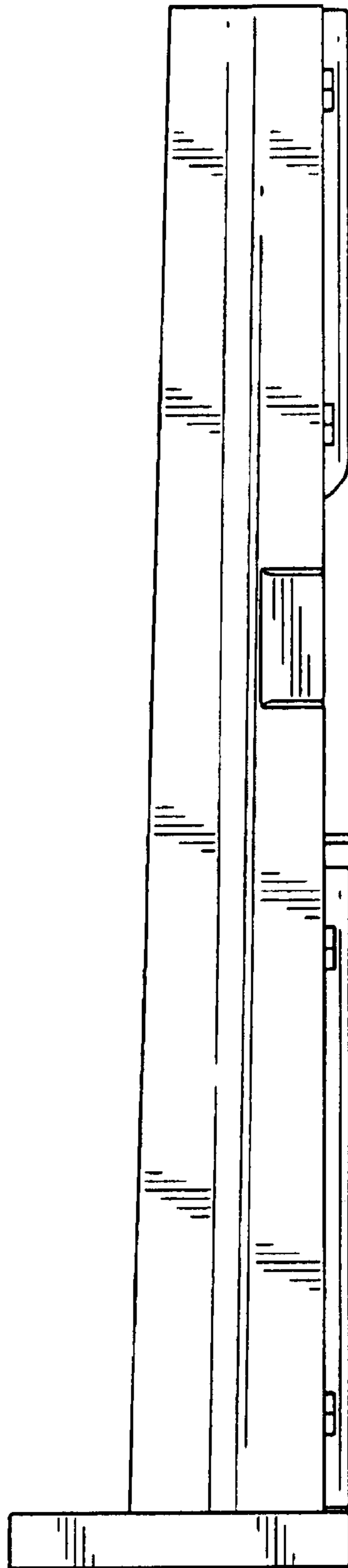


FIG. 4

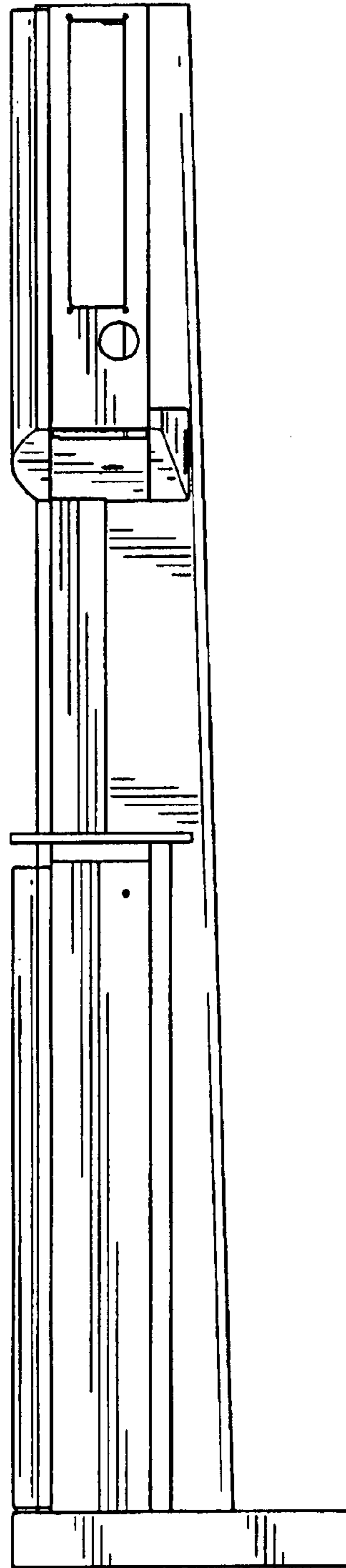


FIG. 5

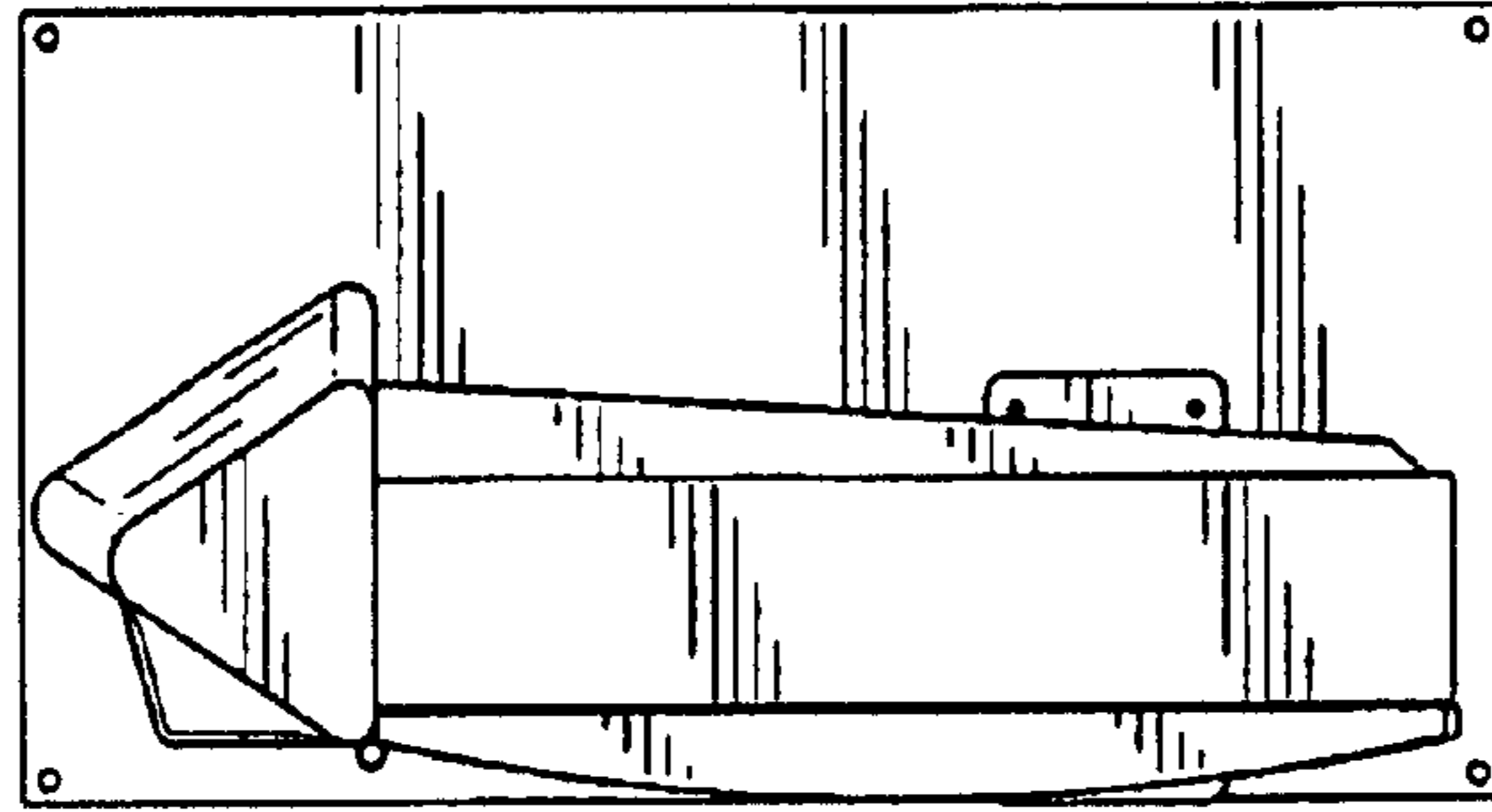


FIG. 6

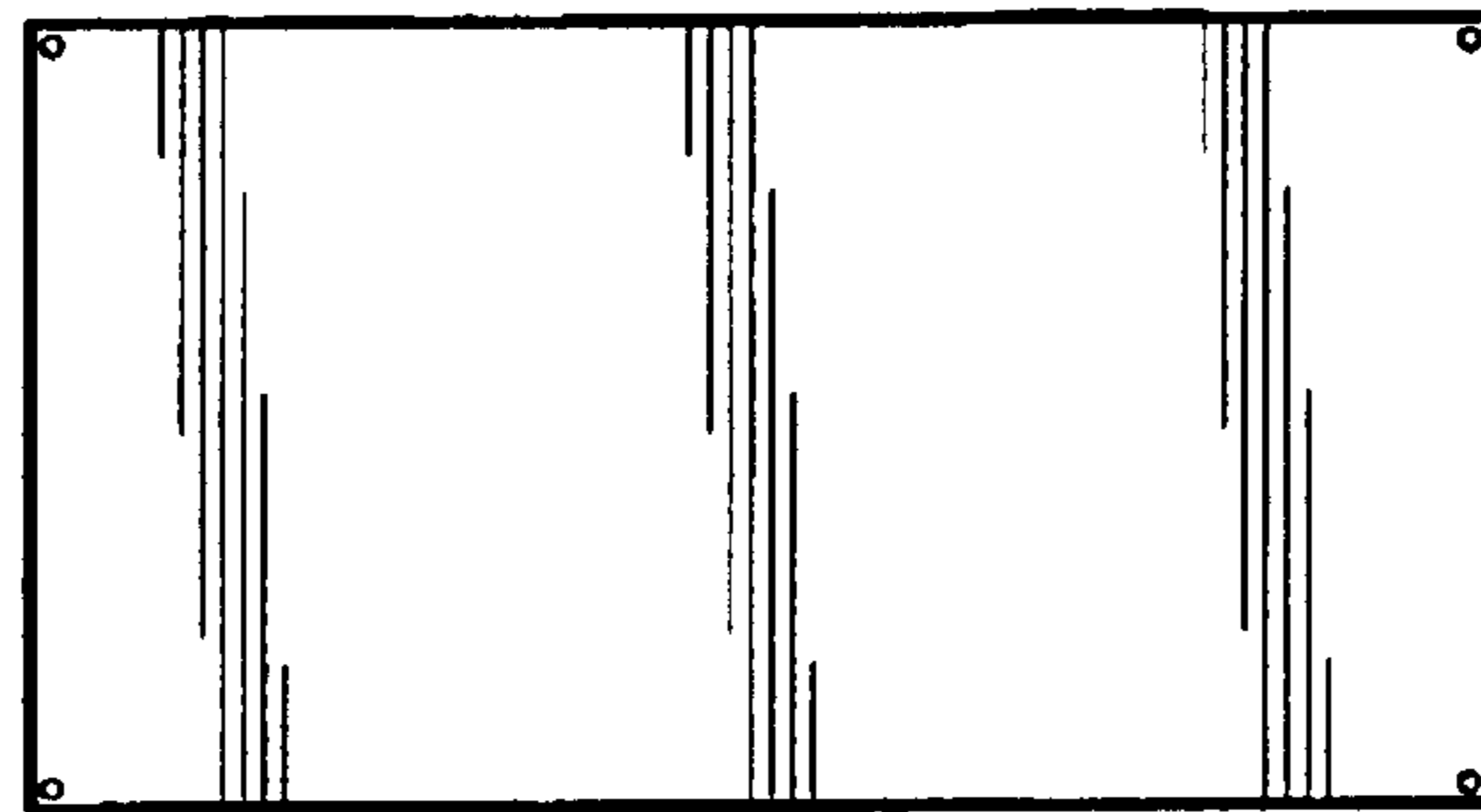


FIG. 7