



US00D539311S

(12) **United States Design Patent**
Honda et al.

(10) **Patent No.: US D539,311 S**

(45) **Date of Patent: ** *Mar. 27, 2007**

(54) **ARMREST FOR A WORKING MACHINE**

(75) Inventors: **Katsuhiko Honda**, Tondabayashi (JP);
Nobuyuki Okabe, Izumi (JP)

(73) Assignee: **Kubota Corporation** (JP)

(*) Notice: This patent is subject to a terminal disclaimer.

(**) Term: **14 Years**

(21) Appl. No.: **29/224,960**

(22) Filed: **Mar. 9, 2005**

(30) **Foreign Application Priority Data**

Sep. 27, 2004 (JP) 2004-29143

(51) **LOC (8) Cl.** **15-03**

(52) **U.S. Cl.** **D15/28**

(58) **Field of Classification Search** D15/10,
D15/17, 22-26, 28, 30; D12/192; D21/329;
D34/28, 35; 74/491, 469, 471 R, 471 XY;
280/752; 296/1.09, 191, 153; 297/411.36,
297/217.3, 411.2, 411.21; 180/333, 315,
180/326, 332, 329, 331, 90, 334
See application file for complete search history.

(56) **References Cited**

U.S. PATENT DOCUMENTS

D374,535 S * 10/1996 Feider et al. D34/35
D376,244 S * 12/1996 Feider et al. D34/35

D420,685 S * 2/2000 Muranen D15/30
D427,207 S * 6/2000 Altmann et al. D15/28
D427,208 S * 6/2000 Altmann et al. D15/28
D432,963 S * 10/2000 Meinhardt D12/192
D444,750 S * 7/2001 Meinhardt D12/192
D463,459 S * 9/2002 Tamaru et al. D15/28

* cited by examiner

Primary Examiner—Stella Reid

Assistant Examiner—Mark Goodwin

(74) *Attorney, Agent, or Firm*—The Webb Law Firm

(57) **CLAIM**

The ornamental design for an armrest for a working machine, as shown and described.

DESCRIPTION

FIG. 1 is a front view of an armrest for a working machine in accordance with our invention;
FIG. 2 is a rear view thereof;
FIG. 3 is a left side view thereof;
FIG. 4 is a right side view thereof;
FIG. 5 is a top plan view thereof;
FIG. 6 is a bottom view thereof;
FIG. 7 is an enlarged end view thereof taken on line 7—7 in FIG. 1 omitting an internal mechanism;
FIG. 8 is an enlarged end view thereof taken on line 8—8 in FIG. 1;
FIG. 9 is a perspective view thereof; and,
FIG. 10 is a perspective view thereof.

1 Claim, 10 Drawing Sheets

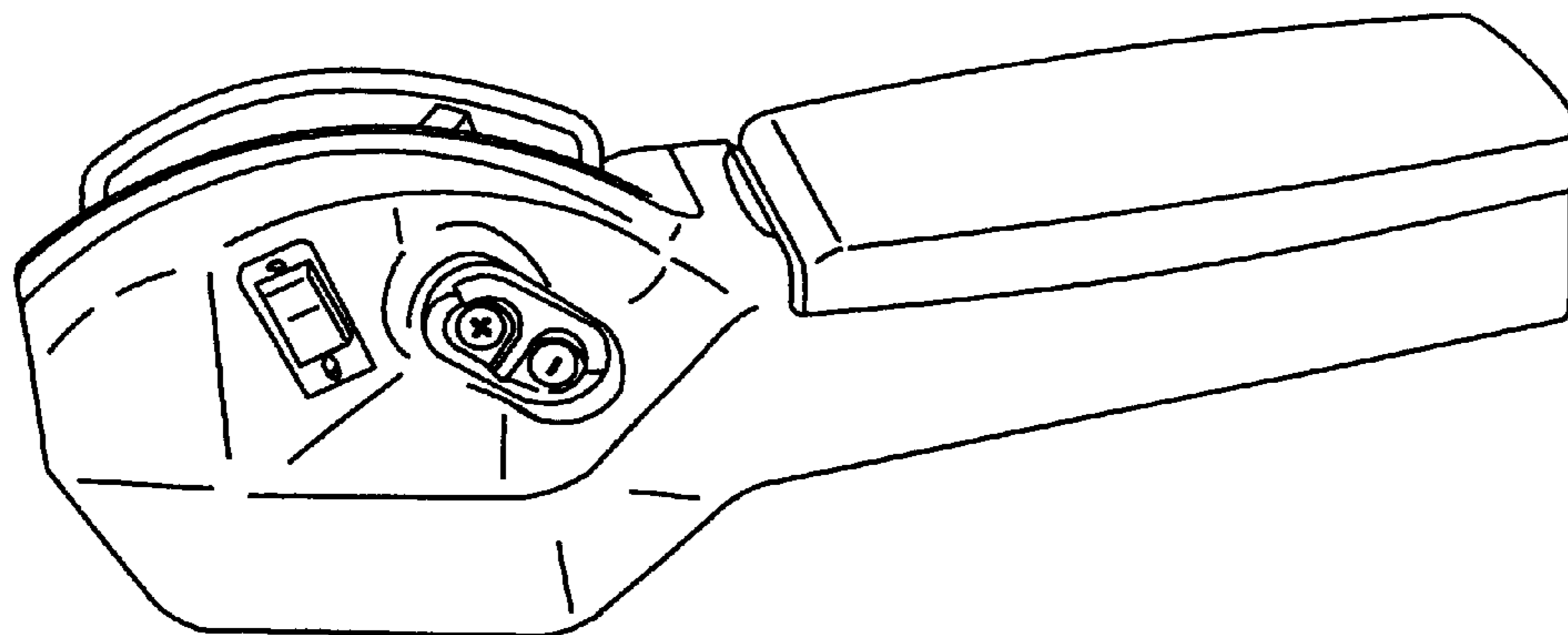


FIG. 1

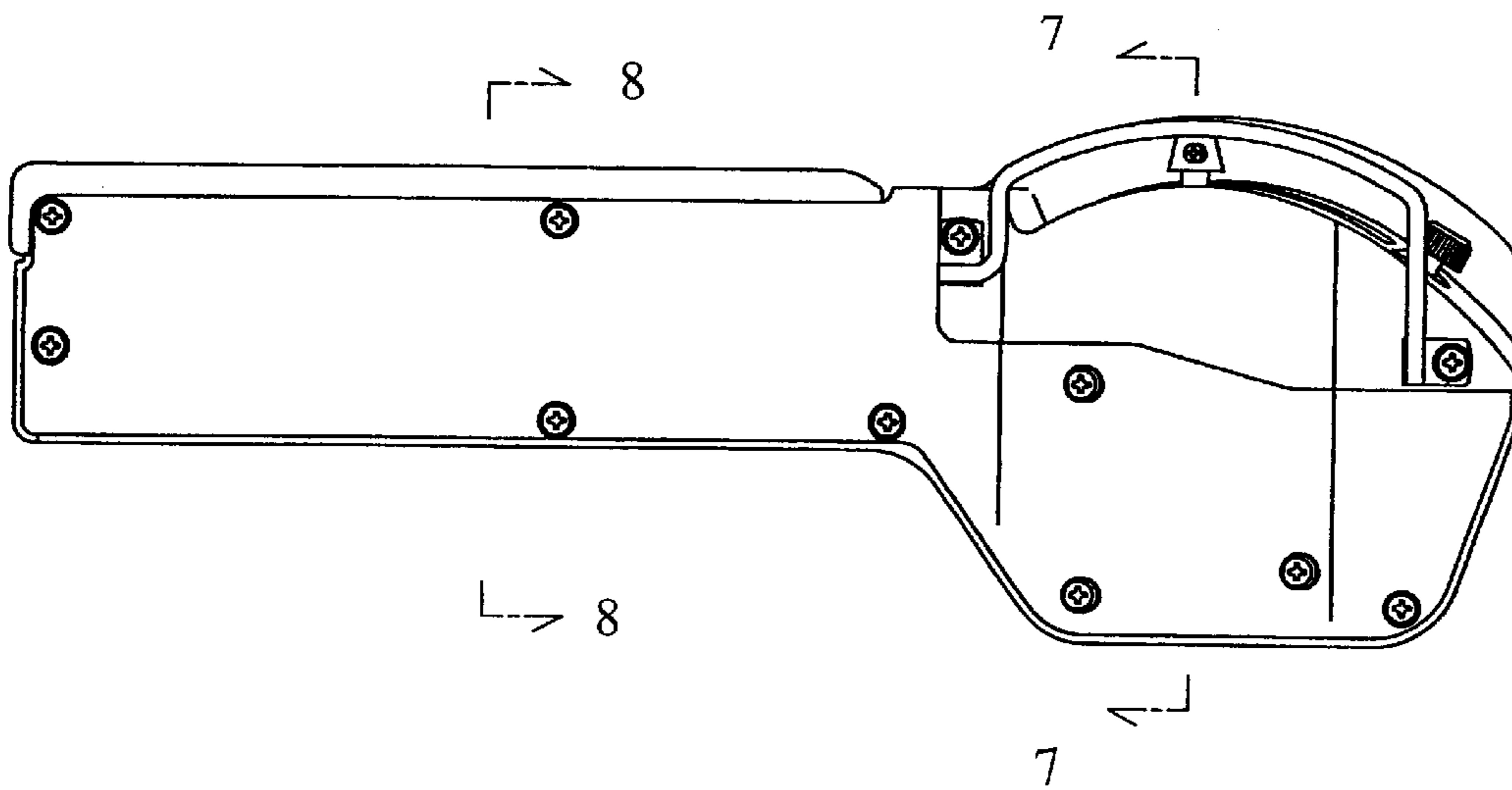


FIG. 2

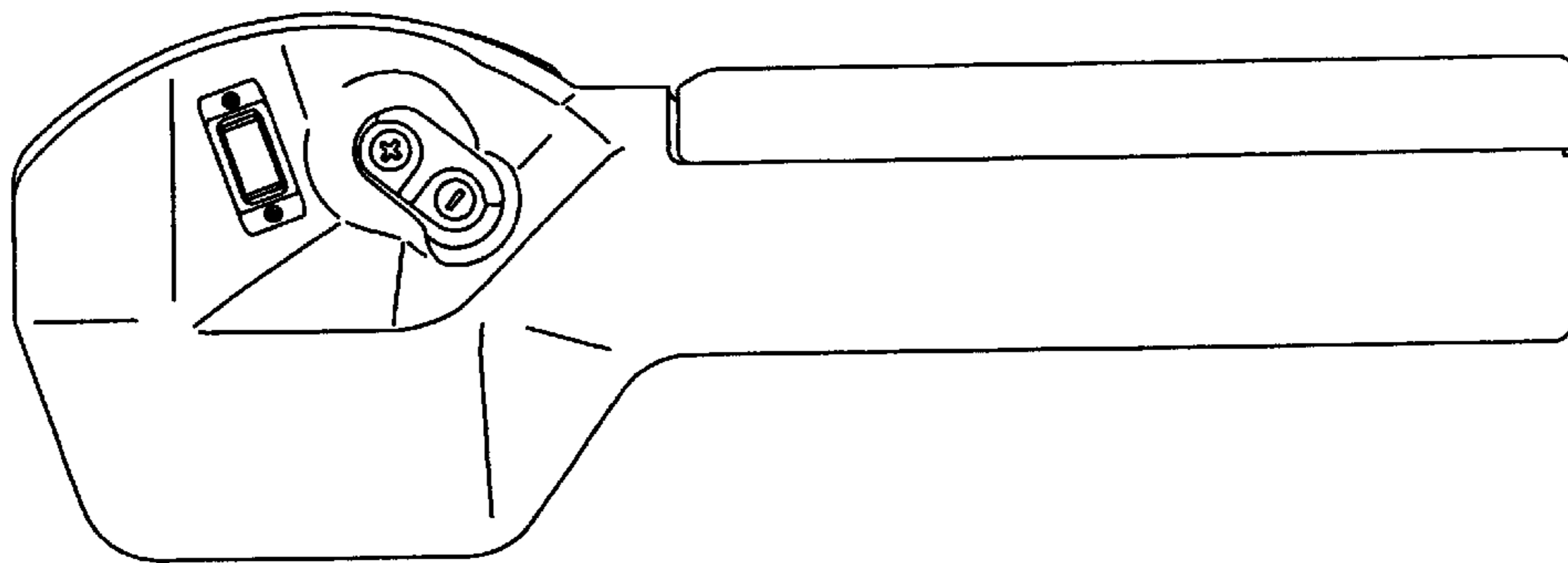


FIG. 3

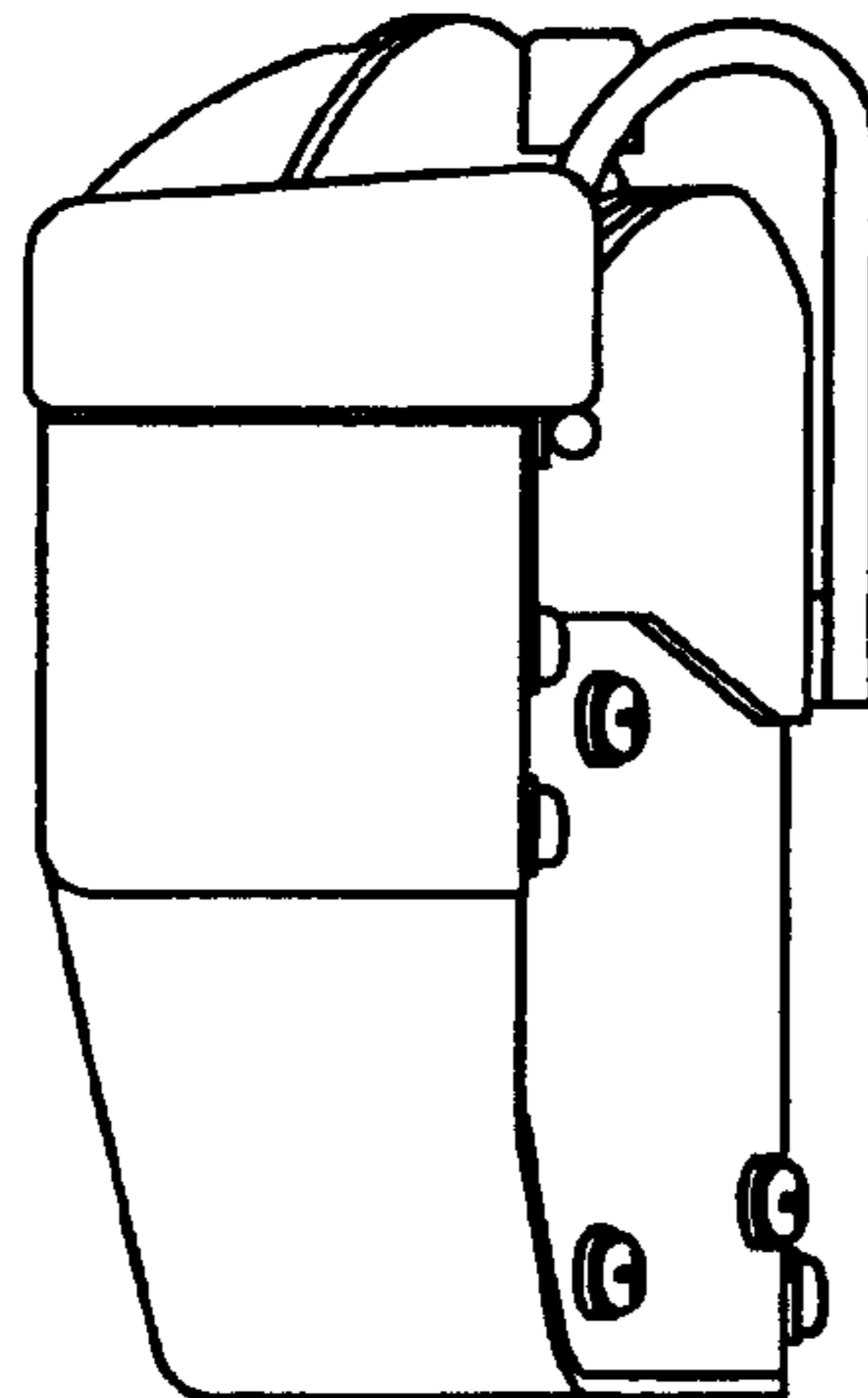


FIG. 4

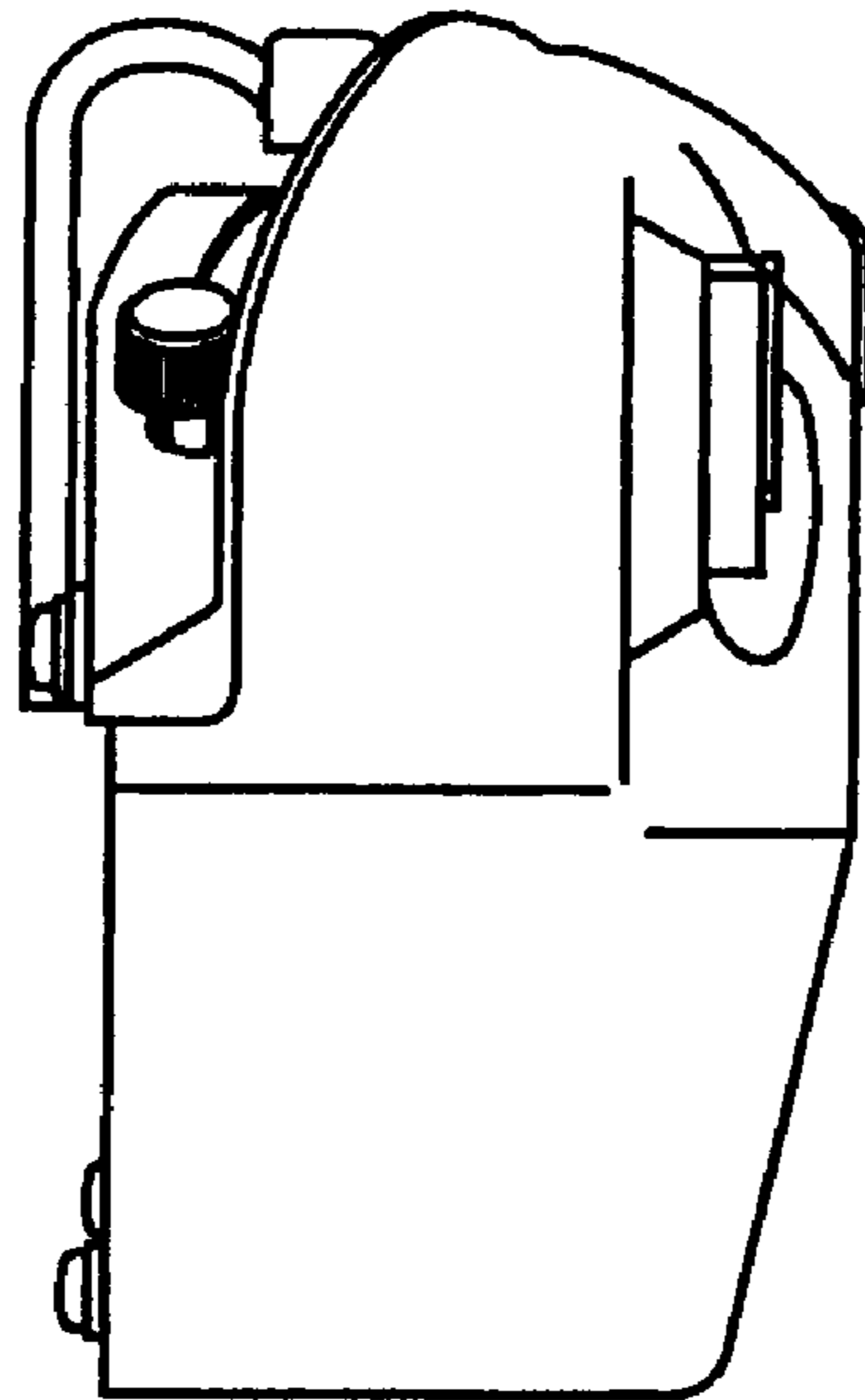


FIG. 5

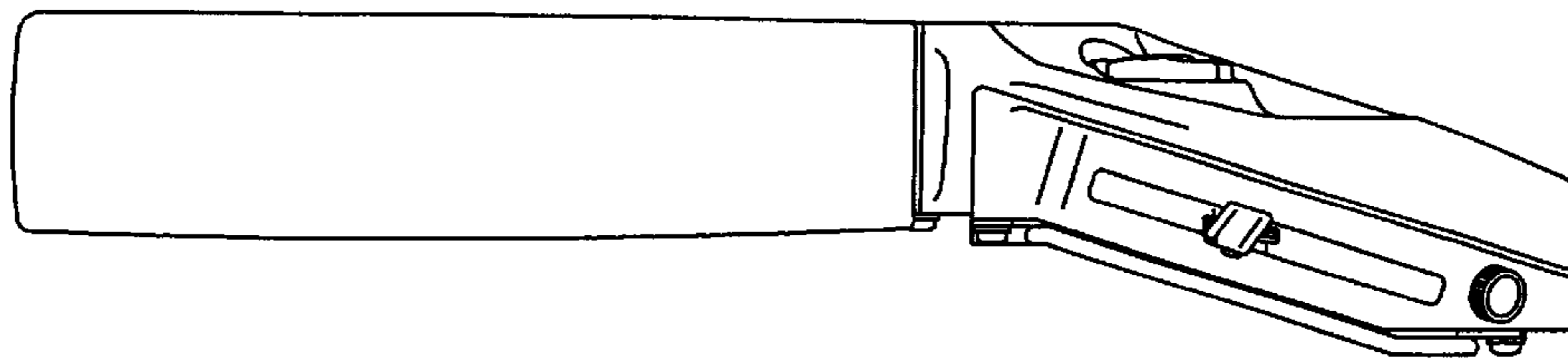


FIG. 6

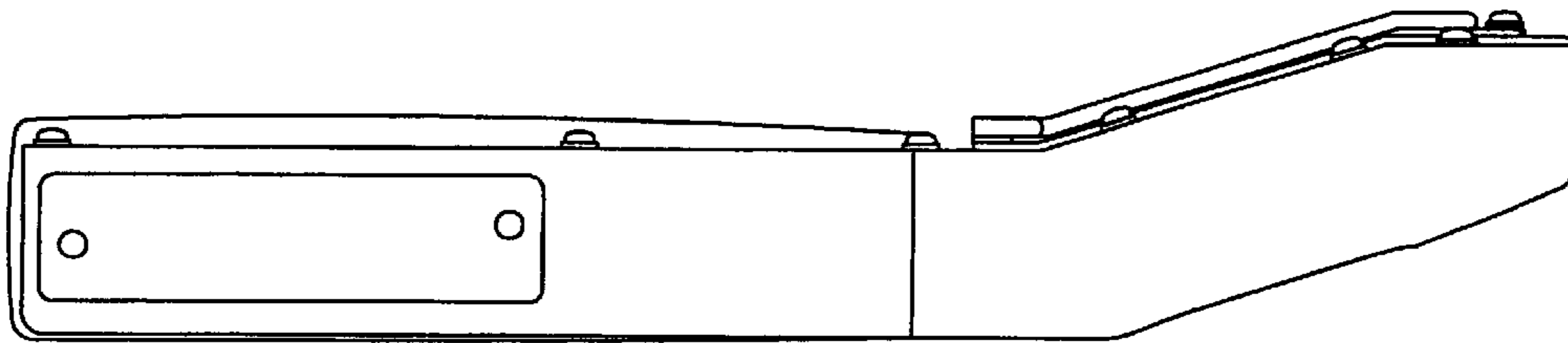


FIG. 7

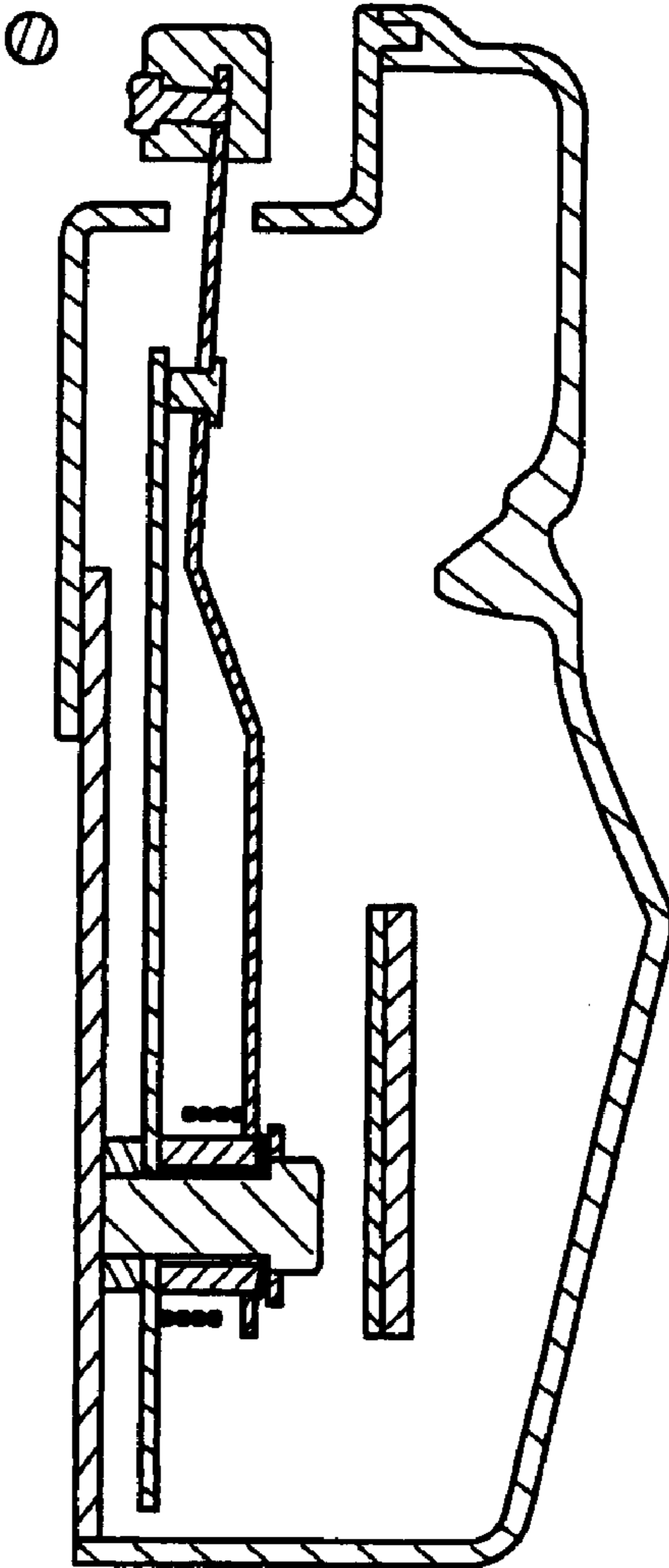


FIG. 8

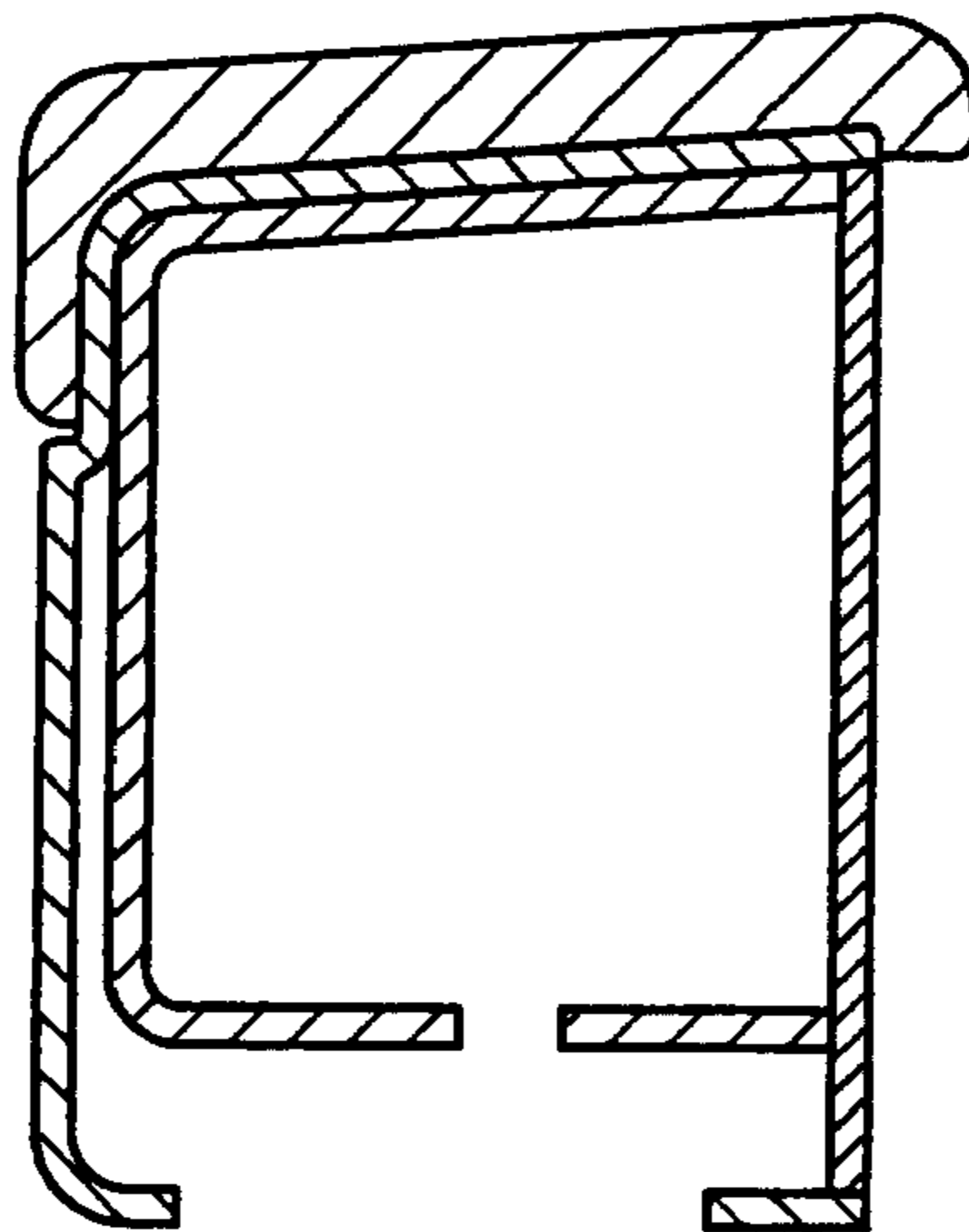


FIG. 9

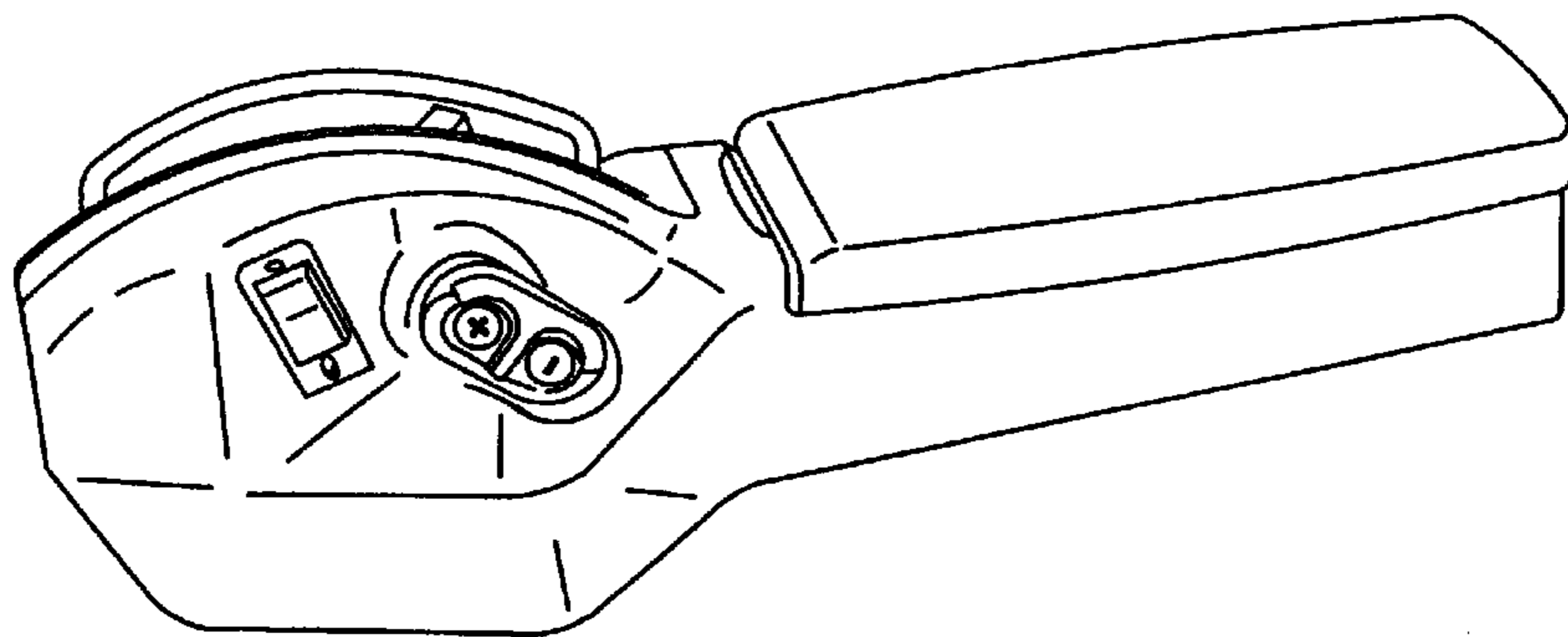


FIG. 10

