



US00D539309S

(12) **United States Design Patent**
Matsuoka et al.

(10) **Patent No.:** **US D539,309 S**
(45) **Date of Patent:** **** Mar. 27, 2007**

(54) **AIR COMPRESSOR**

D499,429 S * 12/2004 Leasure D15/9
D516,091 S * 2/2006 Leasure et al. D15/9
D519,126 S * 4/2006 Leasure et al. D15/9

(75) Inventors: **Takeshi Matsuoka**, Hitachinaka (JP);
Masato Sakai, Hitachinaka (JP);
Mitsuhiro Sunaoshi, Hitachinaka (JP)

* cited by examiner

(73) Assignee: **Hitachi Koki Co., Ltd.**, Tokyo (JP)

Primary Examiner—Ralf Seifert

(**) Term: **14 Years**

(74) *Attorney, Agent, or Firm*—Sughrue Mion, PLLC

(21) Appl. No.: **29/254,168**

(57) **CLAIM**

(22) Filed: **Feb. 21, 2006**

The ornamental design for an air compressor, as shown.

(30) **Foreign Application Priority Data**

DESCRIPTION

Aug. 23, 2005 (JP) 2005-024323

FIG. 1 is a perspective view of the top, front and right side of an air compressor showing our new design;

(51) **LOC (8) Cl.** **15-02**

FIG. 2 is a right side elevational view thereof;

(52) **U.S. Cl.** **D15/9**

FIG. 3 is a left side elevational view thereof;

(58) **Field of Classification Search** D15/7-9;
D23/232, 231; 417/359, 415-416, 410.1,
417/321, 265, 405

FIG. 4 is a front elevational view thereof;

See application file for complete search history.

FIG. 5 is a rear elevational view thereof;

(56) **References Cited**

FIG. 6 is a top plan view thereof; and,

U.S. PATENT DOCUMENTS

FIG. 7 is a bottom plan view thereof.

D454,884 S * 3/2002 Christiansen et al. D15/7

1 Claim, 4 Drawing Sheets

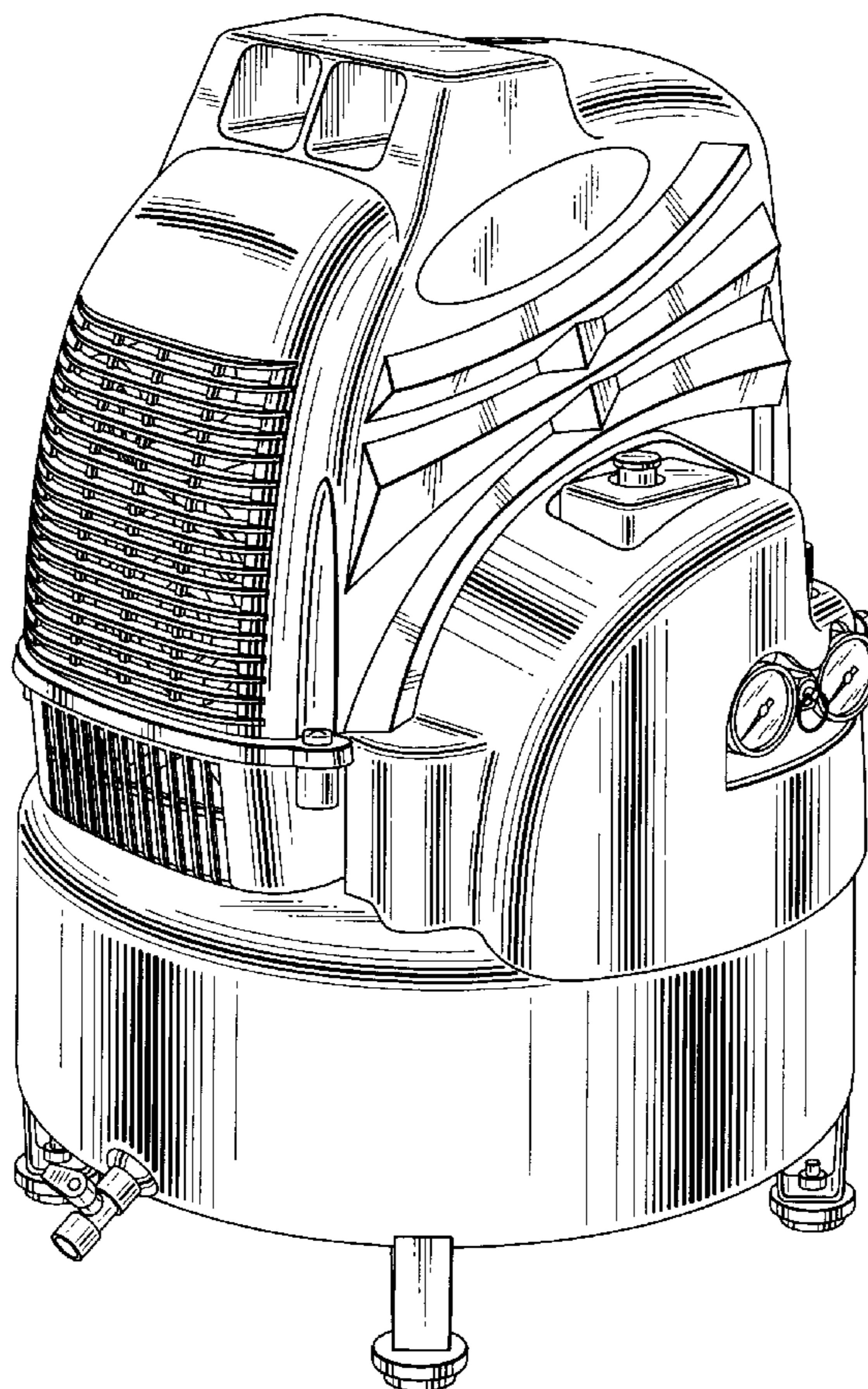


FIG. 1

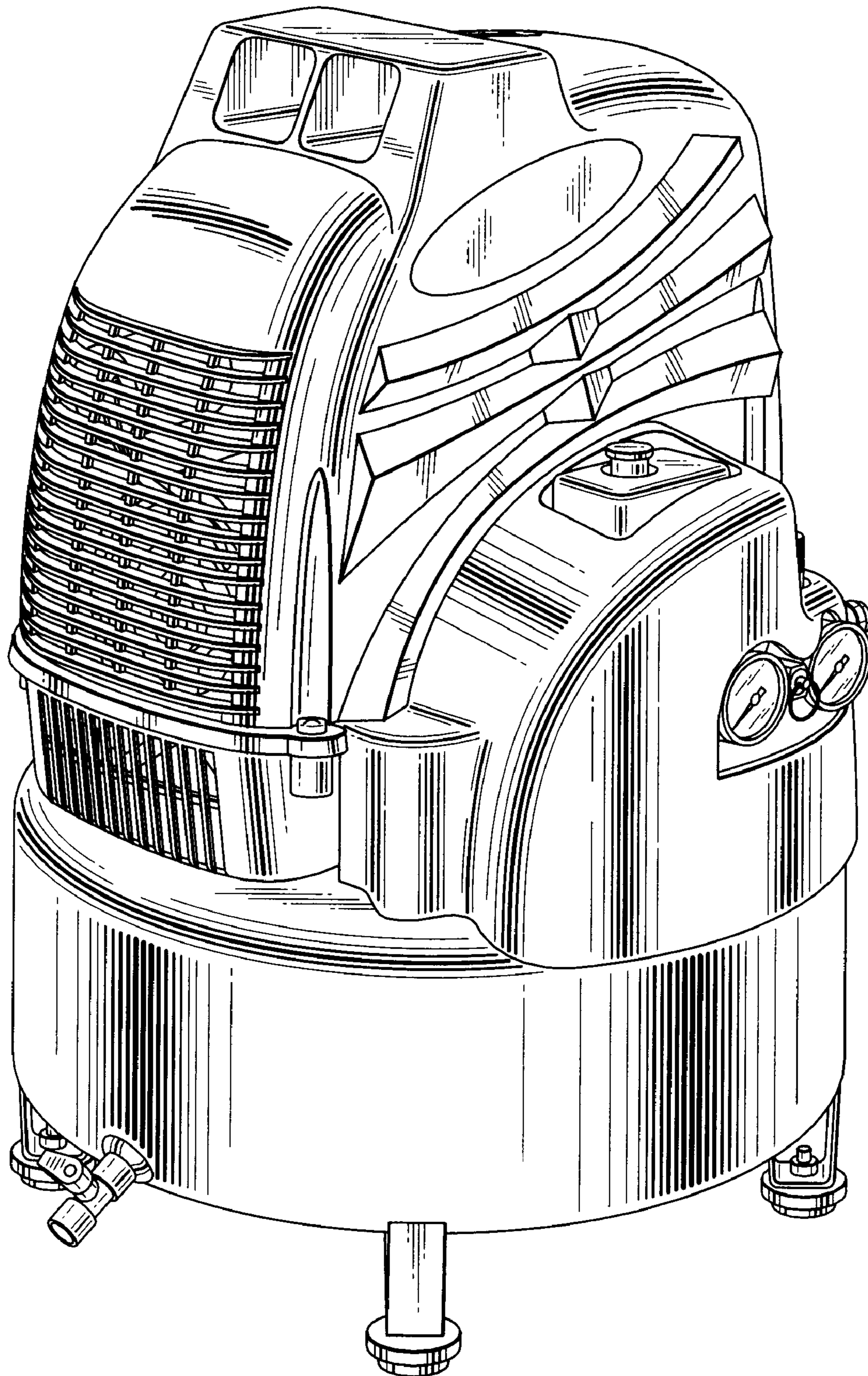


FIG.3

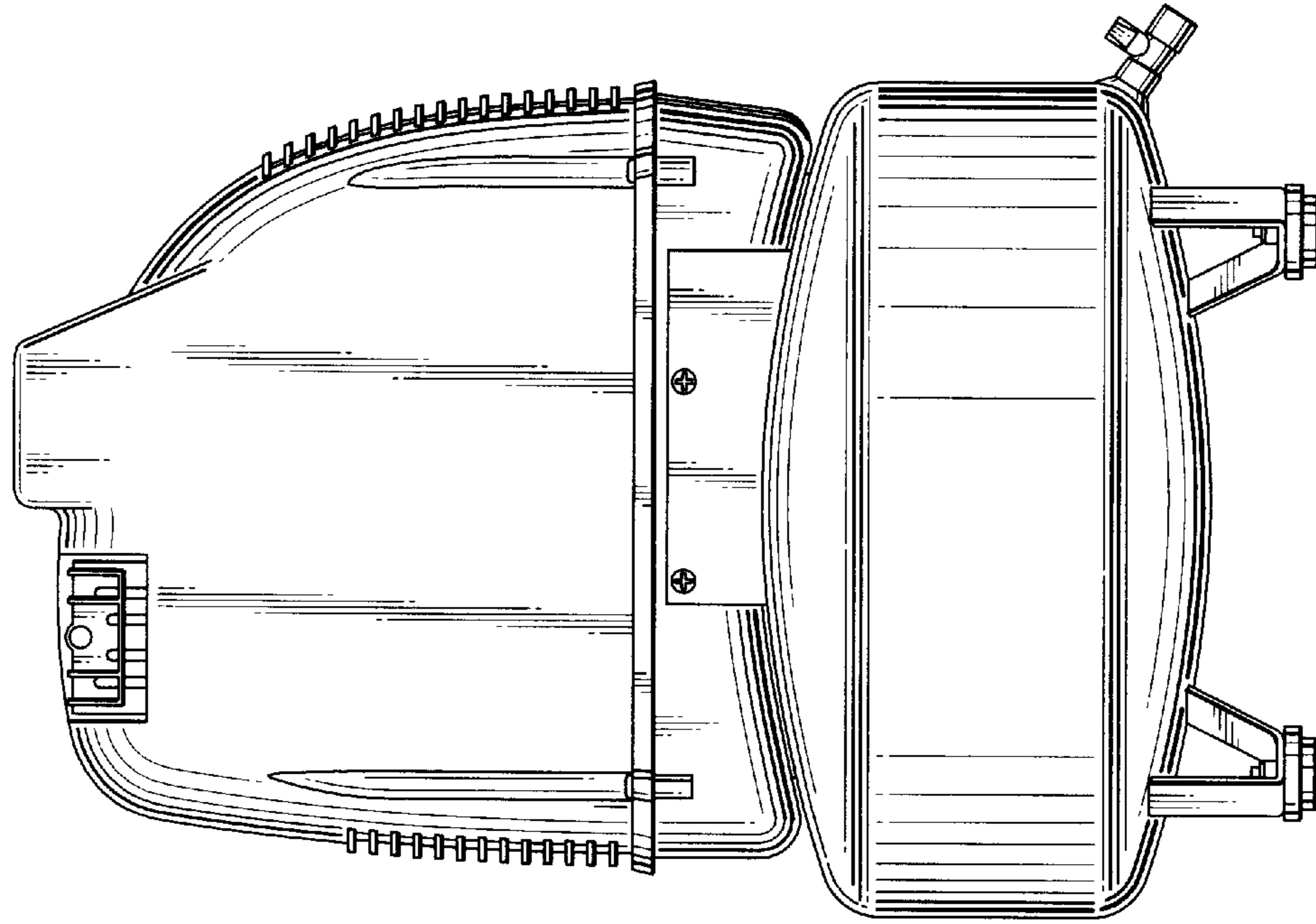


FIG.2

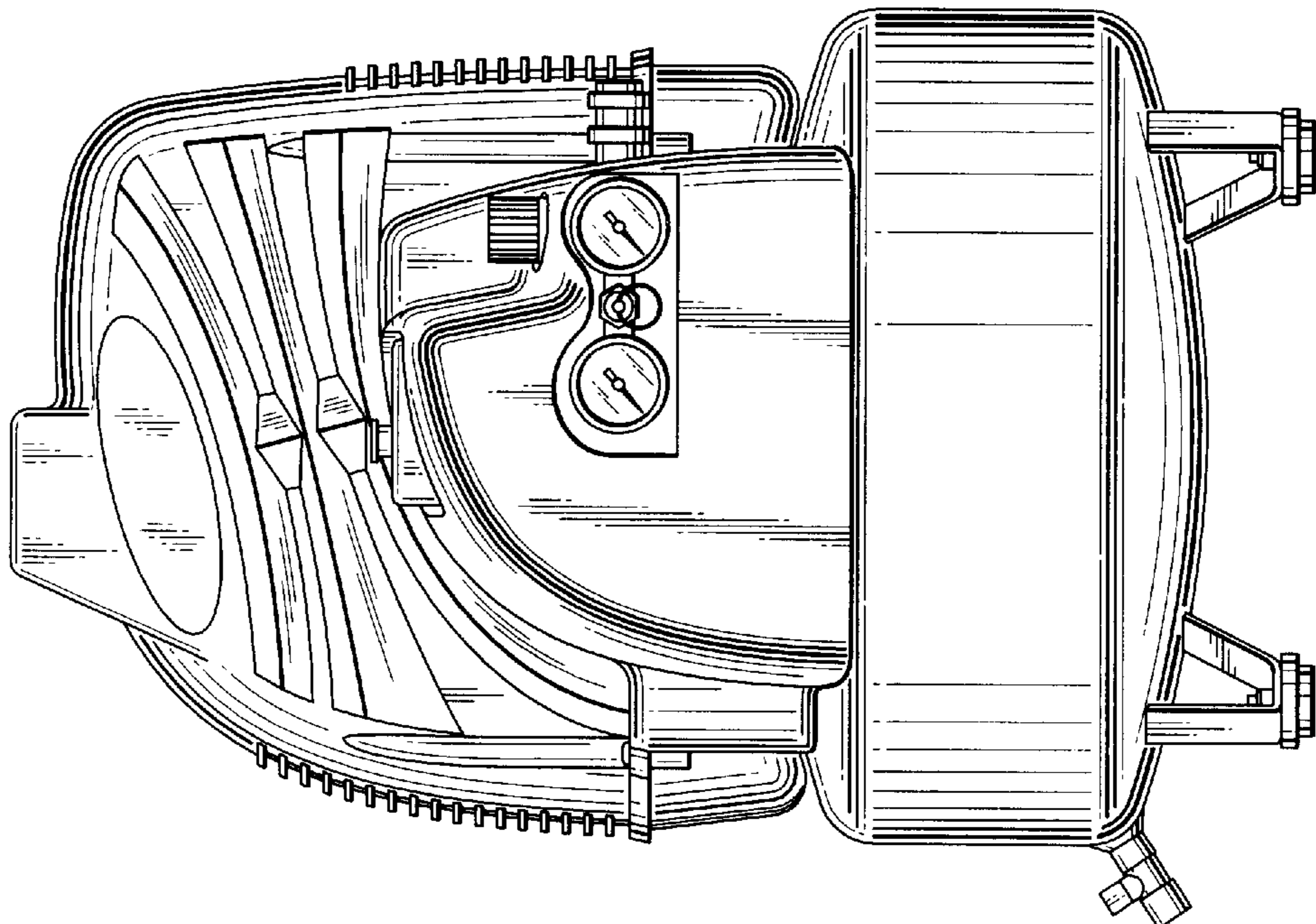


FIG.5

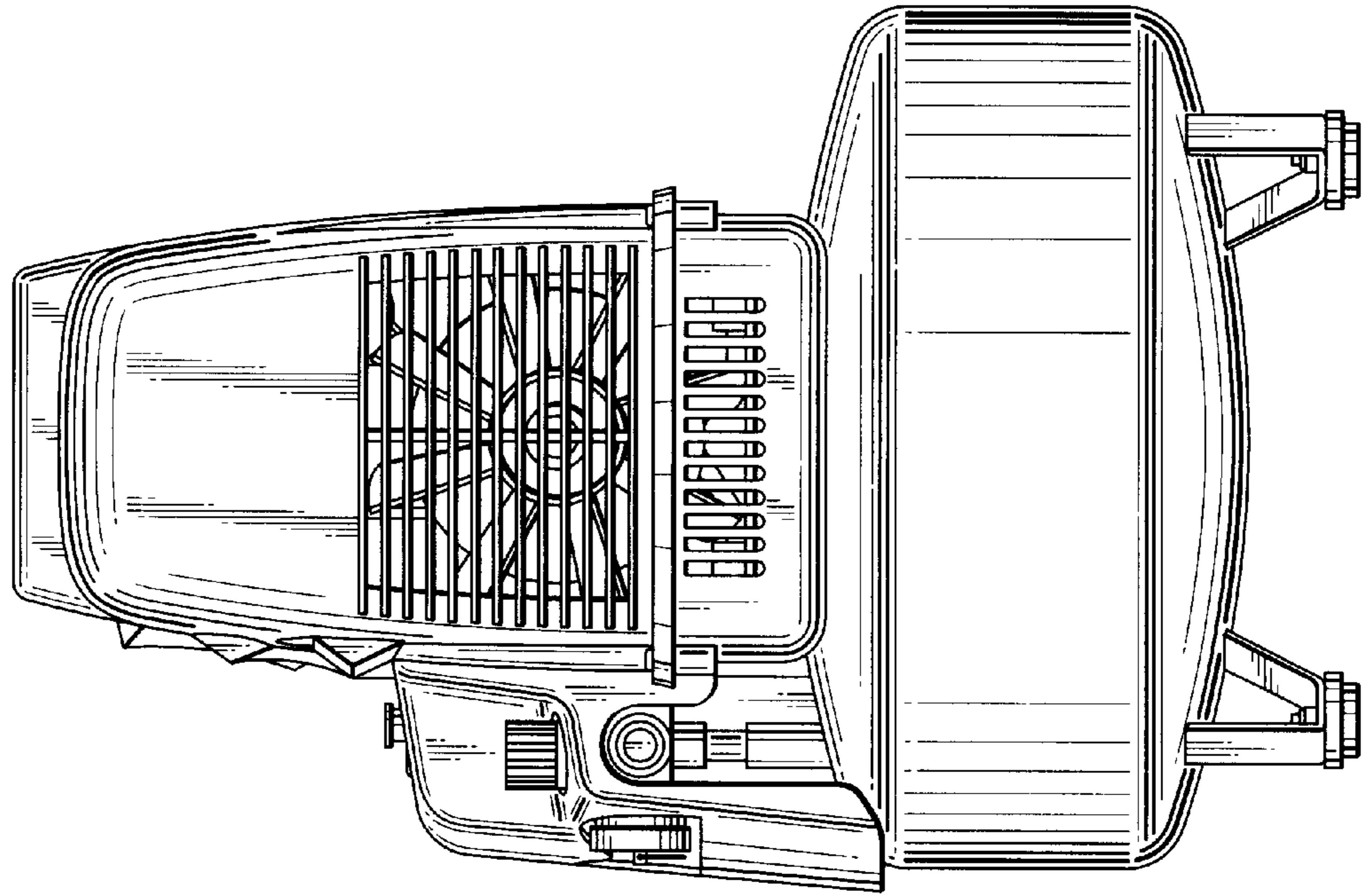


FIG.4

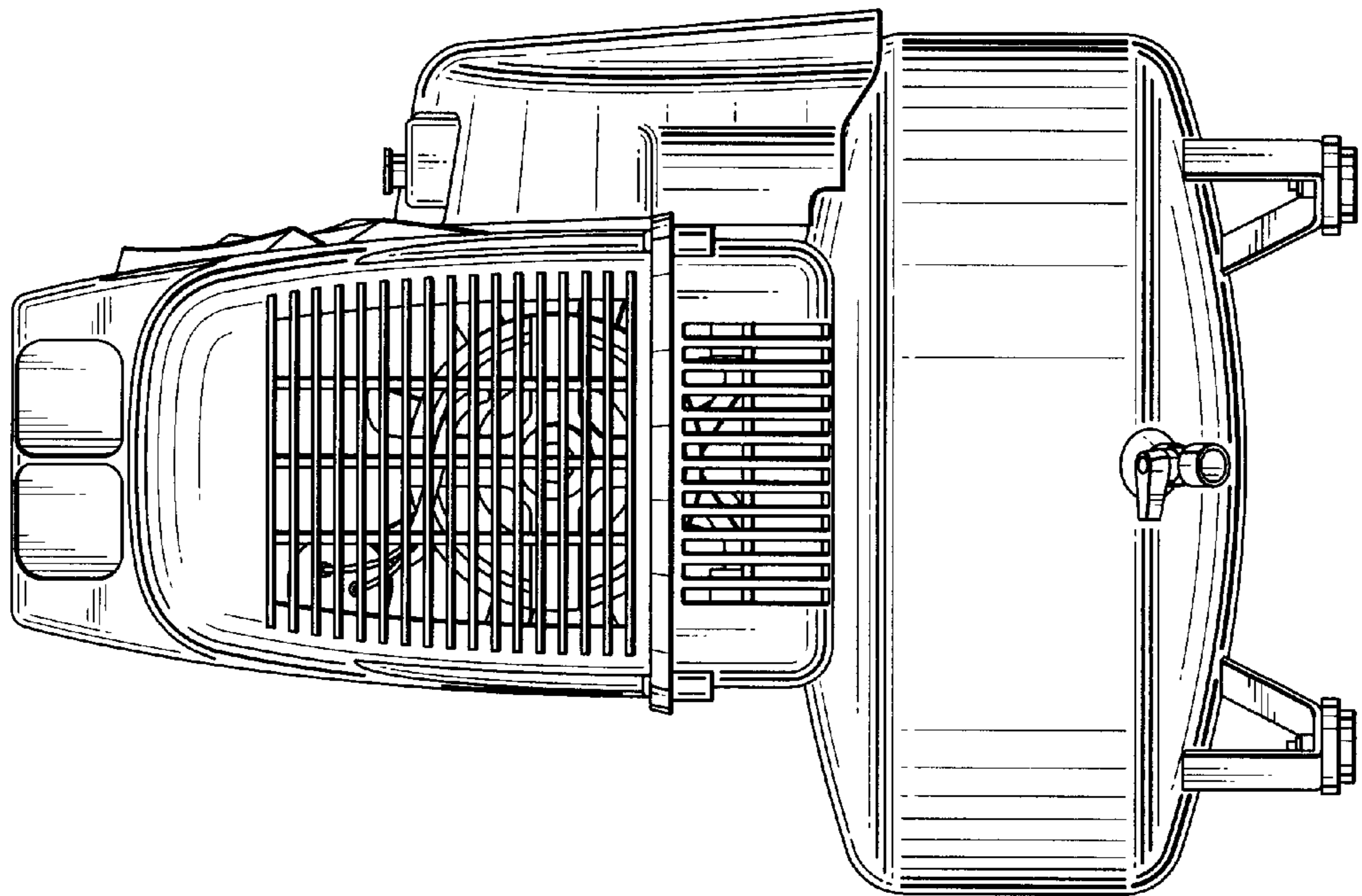


FIG.6

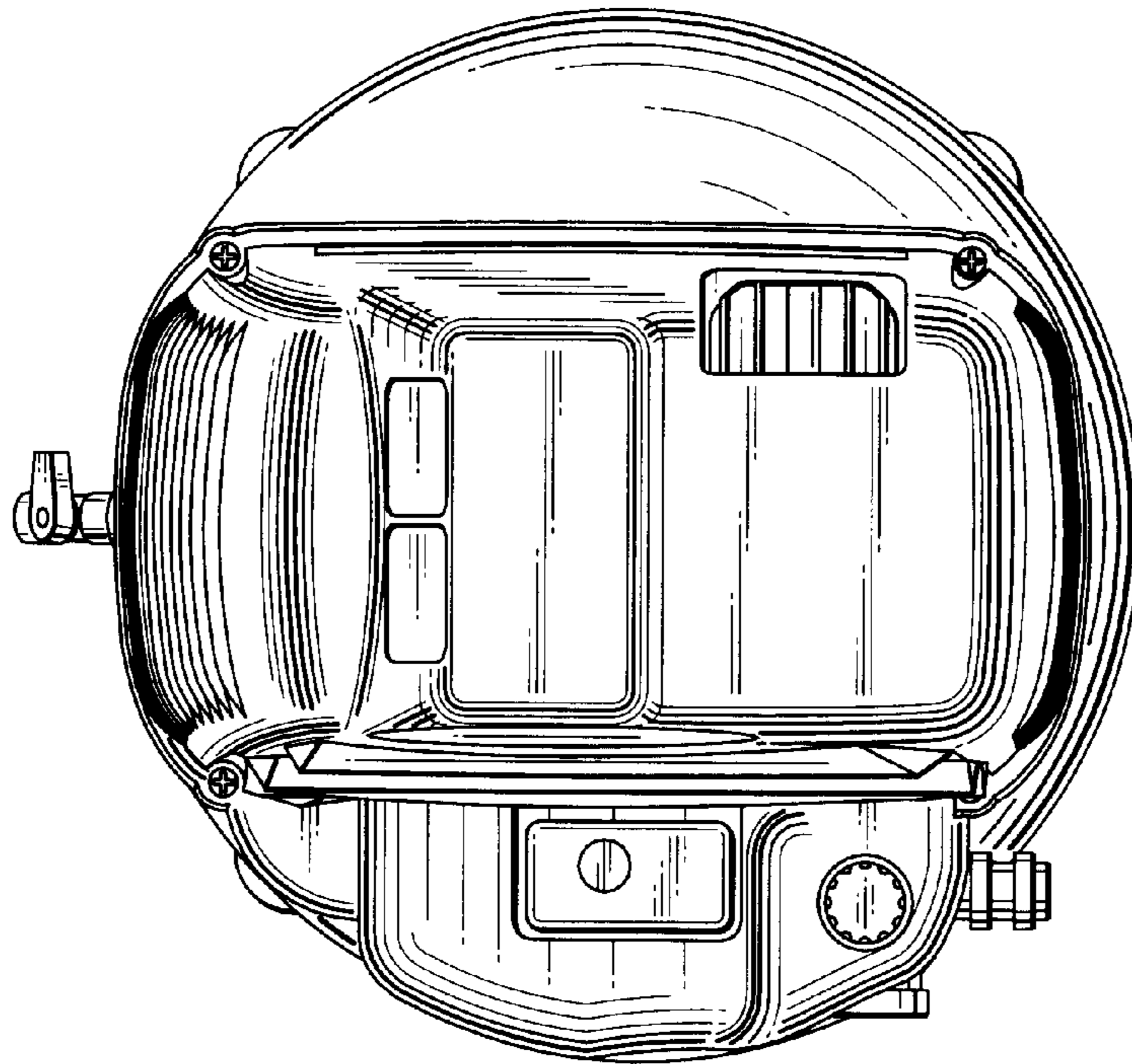


FIG.7

