

US00D539308S

(12) **United States Design Patent**  
**Moser**

(10) **Patent No.:** **US D539,308 S**

(45) **Date of Patent:** **\*\* Mar. 27, 2007**

(54) **PORTABLE AIR COMPRESSOR WITH BATTERY**

(76) Inventor: **John Moser**, 5239 Waltann La., Scottsdale, AZ (US) 85254

(\*\*) Term: **14 Years**

(21) Appl. No.: **29/253,620**

(22) Filed: **Feb. 9, 2006**

(51) **LOC (8) Cl.** ..... **15-02**

(52) **U.S. Cl.** ..... **D15/9**

(58) **Field of Classification Search** ..... D15/7-9;  
D23/232, 231; 417/359, 415-416, 410.1,  
417/321, 265, 405

See application file for complete search history.

(56) **References Cited**

**U.S. PATENT DOCUMENTS**

D486,835 S	*	2/2004	Hsiao	.....	D15/9
D499,745 S	*	12/2004	Hsiao	.....	D15/9
D507,278 S	*	7/2005	Moser, III	.....	D15/9
D508,922 S	*	8/2005	Li et al.	.....	D15/9
D520,025 S	*	5/2006	Chu	.....	D15/9
D520,522 S	*	5/2006	Bakker et al.	.....	D15/7

\* cited by examiner

*Primary Examiner*—Ralf Seifert  
(74) *Attorney, Agent, or Firm*—Michael C. Cesarano; Feldman Gate, P.A.

(57) **CLAIM**

I claim the ornamental design for a portable air compressor with battery, as shown.

**DESCRIPTION**

FIG. 1 Is a front top perspective view of the portable air compressor with battery.

FIG. 2 is a left elevational view of the portable air compressor with battery.

FIG. 3 is a right elevational view of the portable air compressor with battery.

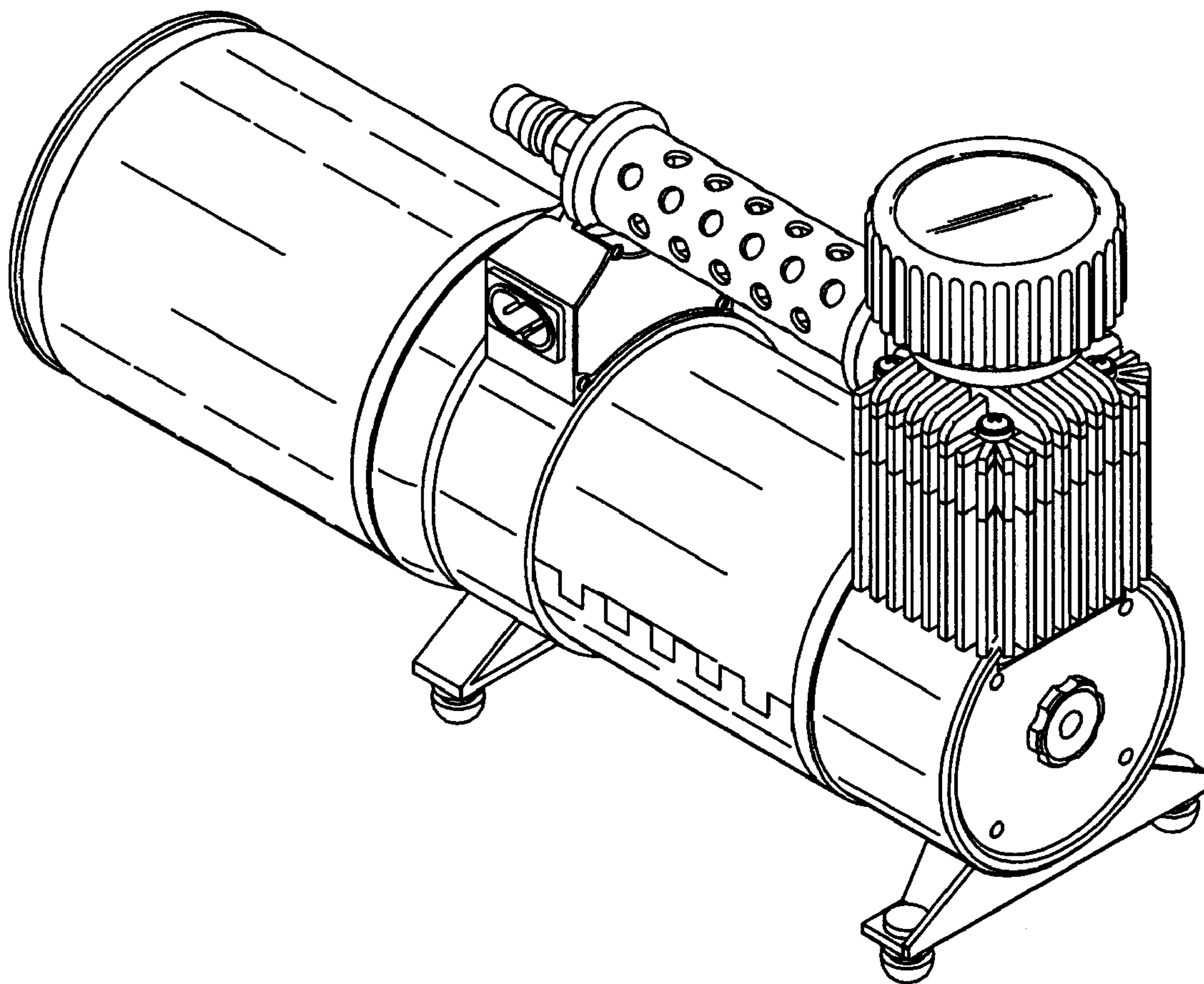
FIG. 4 is a front elevational view of the portable air compressor with battery.

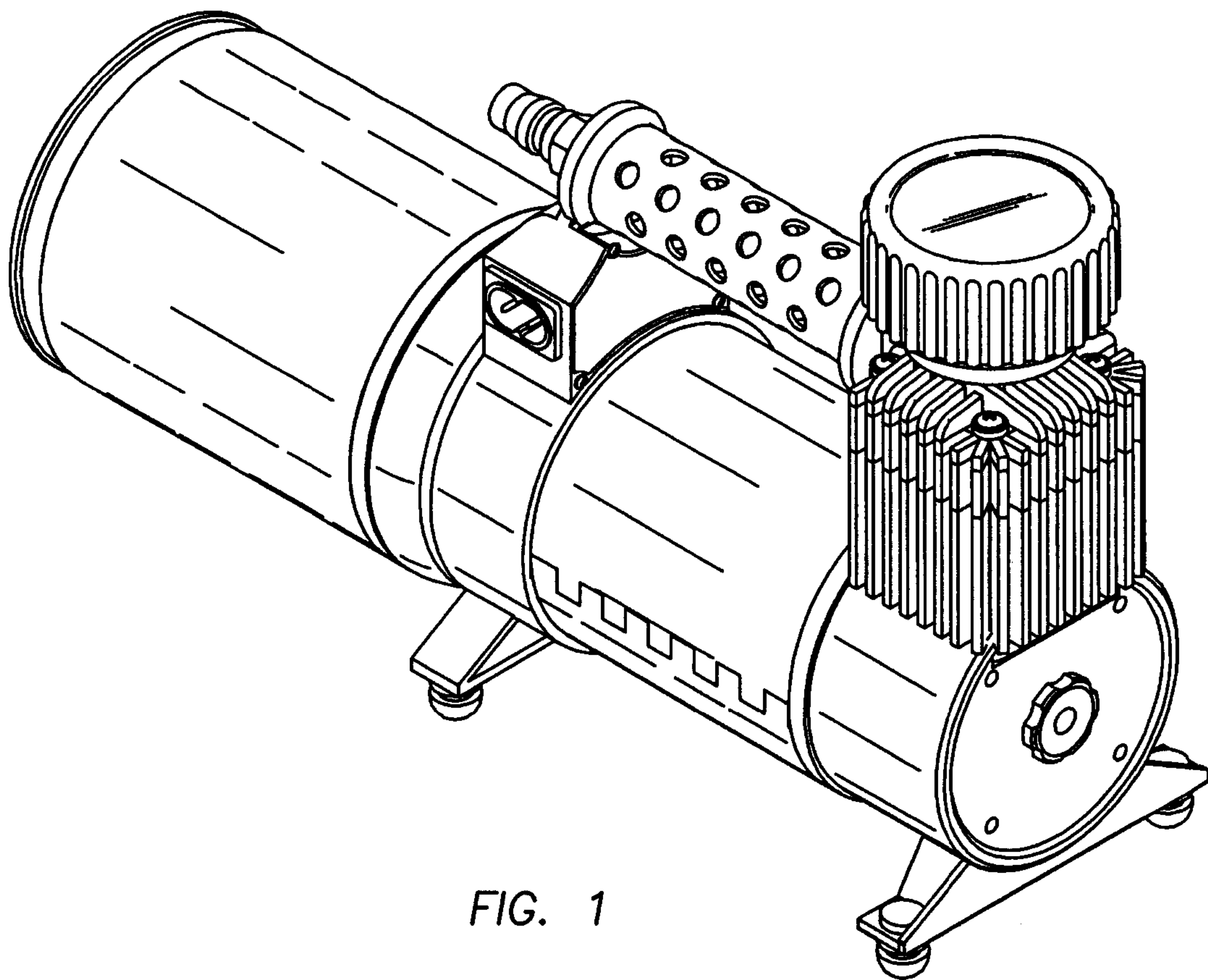
FIG. 5 is a rear elevational view of the portable air compressor with battery.

FIG. 6 is a top plan view of the portable air compressor with battery; and,

FIG. 7 is a bottom plan view of the portable air compressor with battery.

**1 Claim, 4 Drawing Sheets**





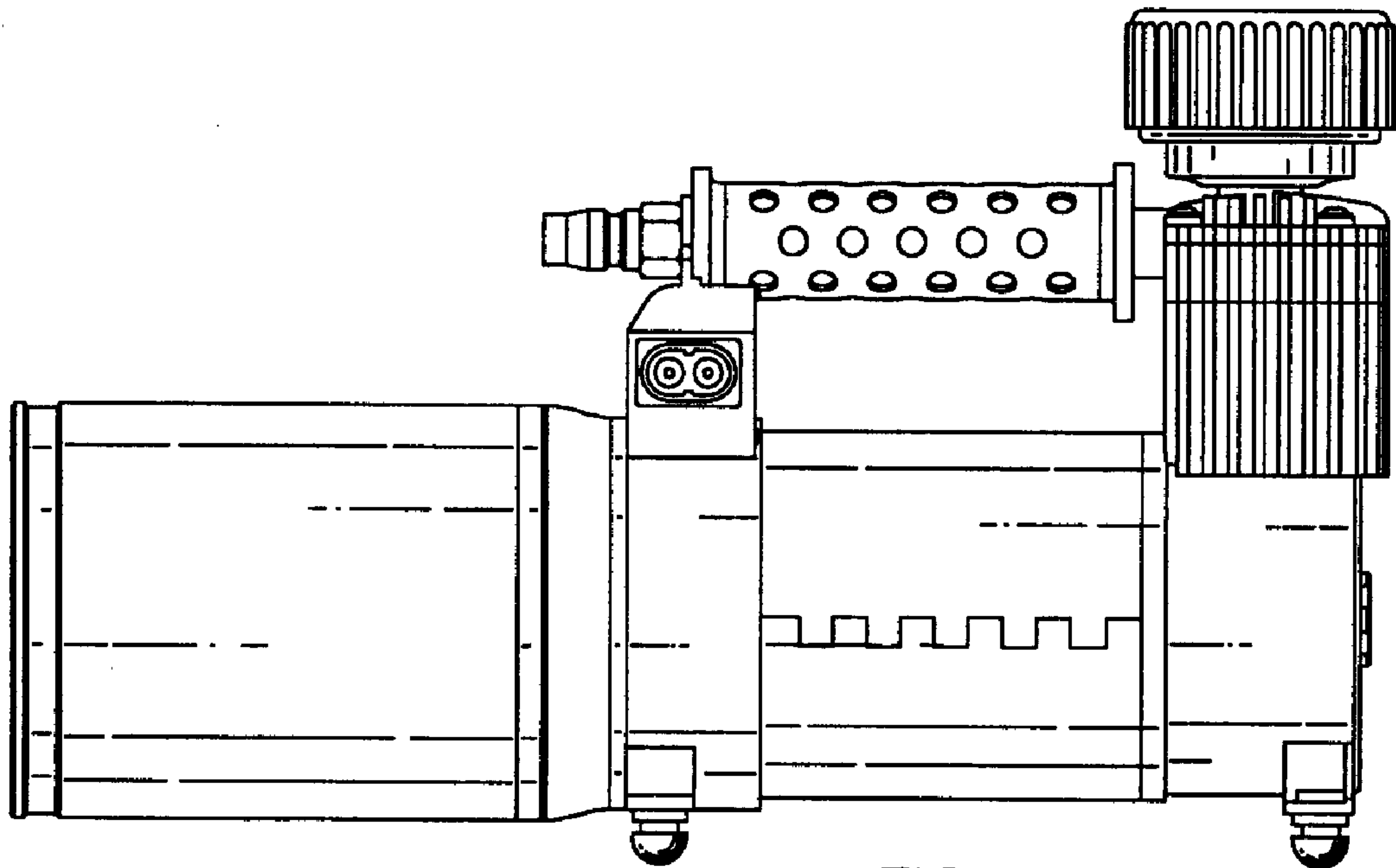


FIG. 2

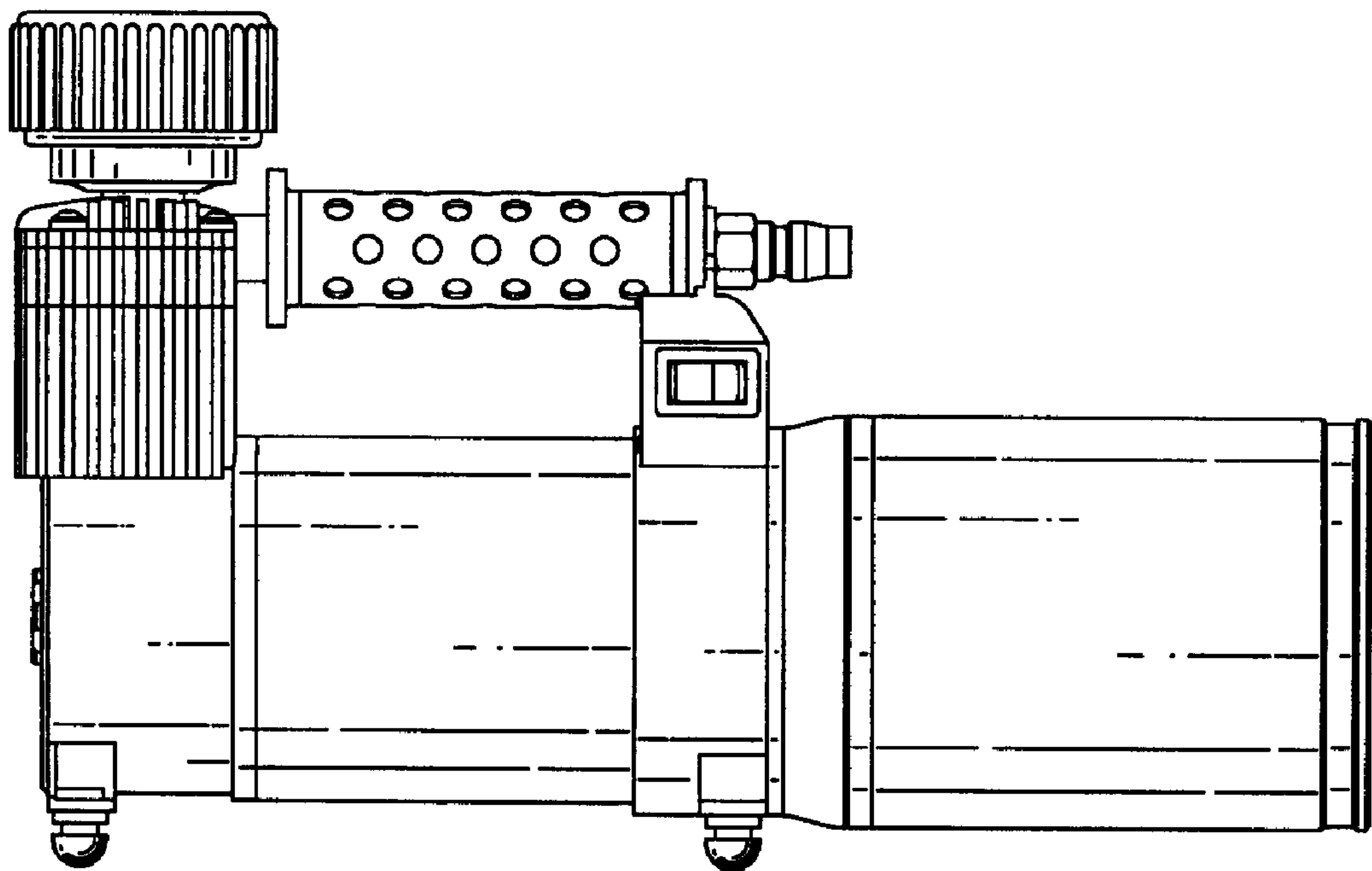


FIG. 3

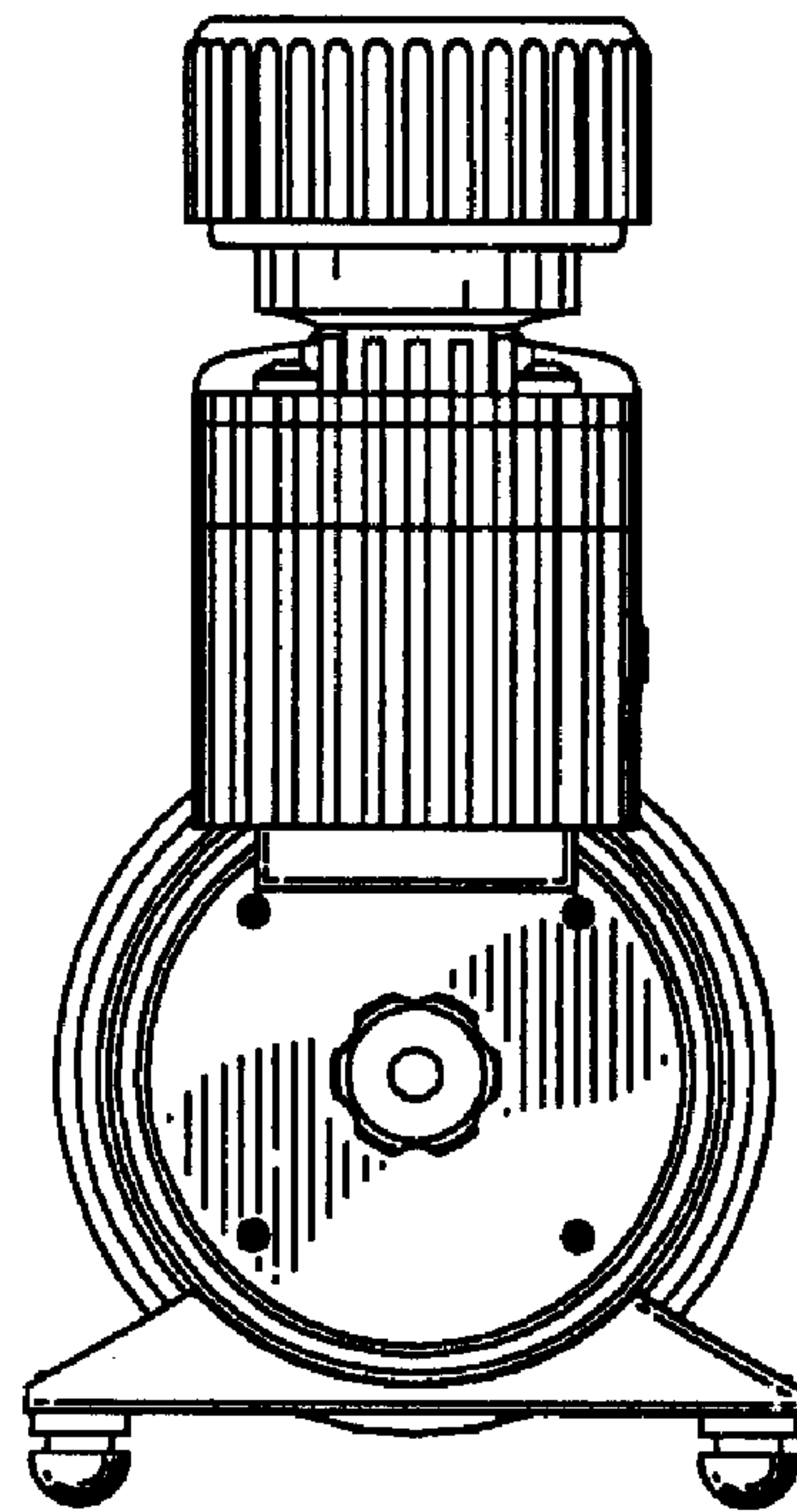


FIG. 4

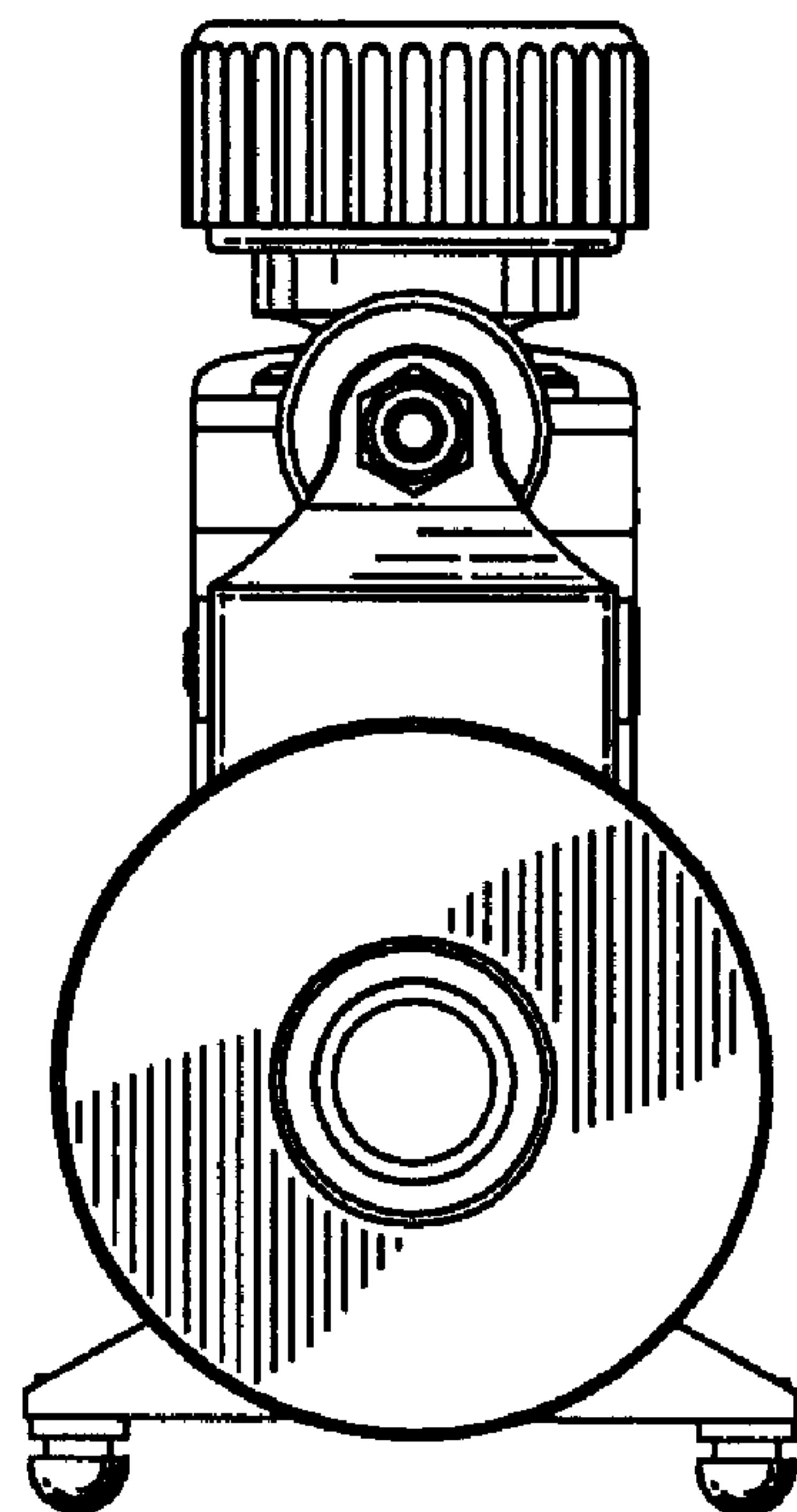


FIG. 5

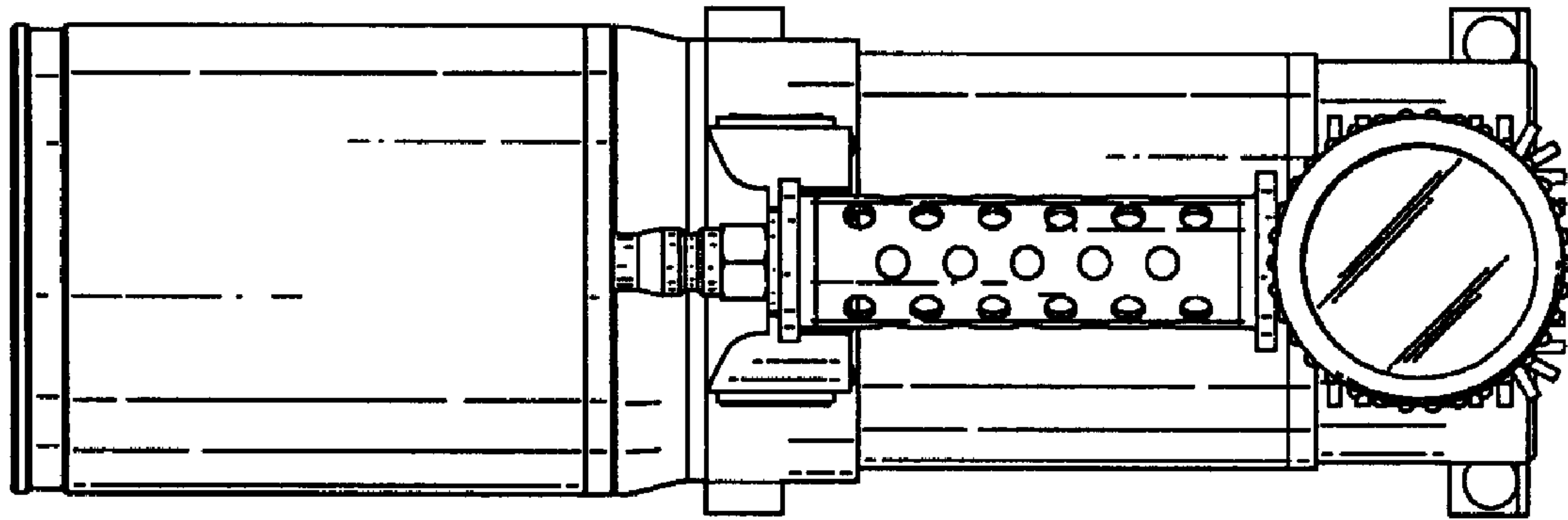


FIG. 6

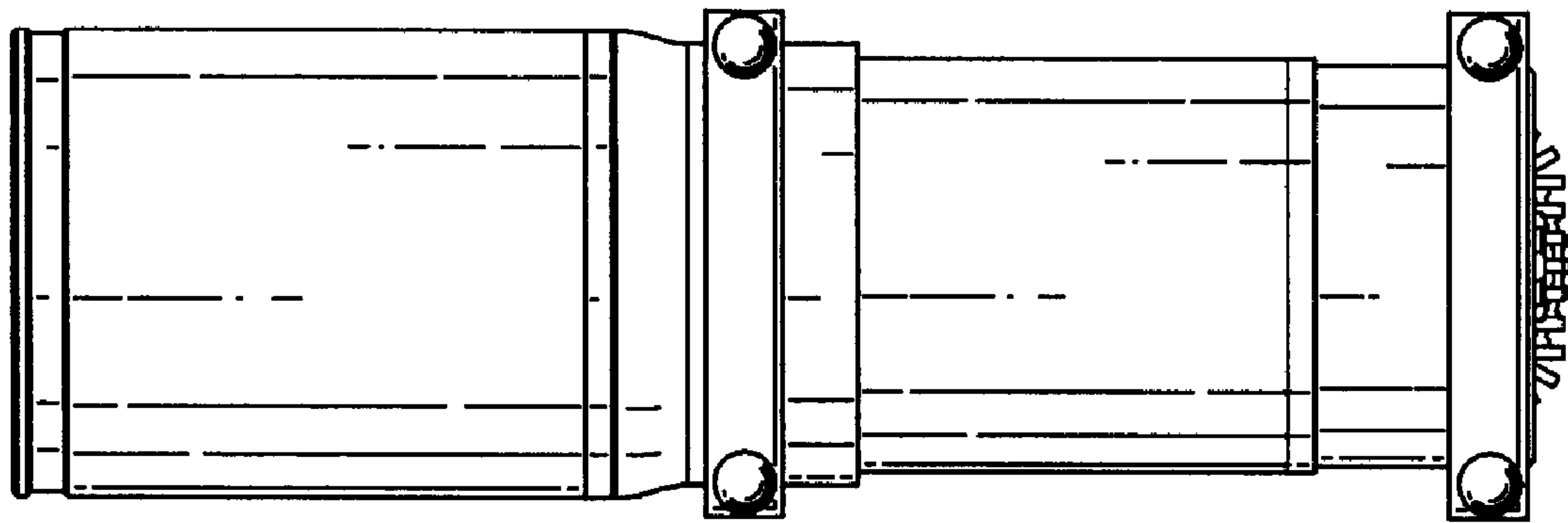


FIG. 7