



US00D539307S

(12) **United States Design Patent**  
**Cimbura**

(10) **Patent No.:** **US D539,307 S**

(45) **Date of Patent:** **\*\* \*Mar. 27, 2007**

(54) **NARROW BASE FUEL INJECTION HOUSING**

4,064,854 A \* 12/1977 Fehrenbach et al. .... 123/452  
4,197,823 A \* 4/1980 Schwartz et al. .... 123/587  
5,501,192 A \* 3/1996 Cutler ..... 123/336  
6,168,135 B1 \* 1/2001 Fochtman ..... 251/129.15

(75) Inventor: **David J. Cimbura**, Denver, CO (US)

\* cited by examiner

(73) Assignee: **Momar Injection, Inc.**, Denver, CO (US)

*Primary Examiner*—Jeffrey Asch

*Assistant Examiner*—Maurice Stevens

(\*) Notice: This patent is subject to a terminal disclaimer.

(74) *Attorney, Agent, or Firm*—Edwin H. Crabtree; Ramon L. Pizarro

(\*\*) Term: **14 Years**

(57) **CLAIM**

(21) Appl. No.: **29/239,637**

The ornamental design for a narrow base fuel injection housing, as shown and described.

(22) Filed: **Sep. 30, 2005**

**DESCRIPTION**

(51) **LOC (8) Cl.** ..... **15-01**

(52) **U.S. Cl.** ..... **D15/5; D23/233**

(58) **Field of Classification Search** ..... D23/233;  
D15/5; 123/587–588, 452, 533, 179.16, 495,  
123/432, 366–367, 472, 403, 590, 593, 184.21,  
123/184.32, 184.36; 251/129.15

FIG. 1 is a front perspective view of the narrow base fuel injection housing illustrating my new design.

FIG. 2 is a top view thereof;

FIG. 3 is a front view thereof;

FIG. 4 is an end view thereof;

FIG. 5 is an opposite end view thereof;

FIG. 6 is a bottom view thereof; and,

FIG. 7 is a rear perspective view thereof.

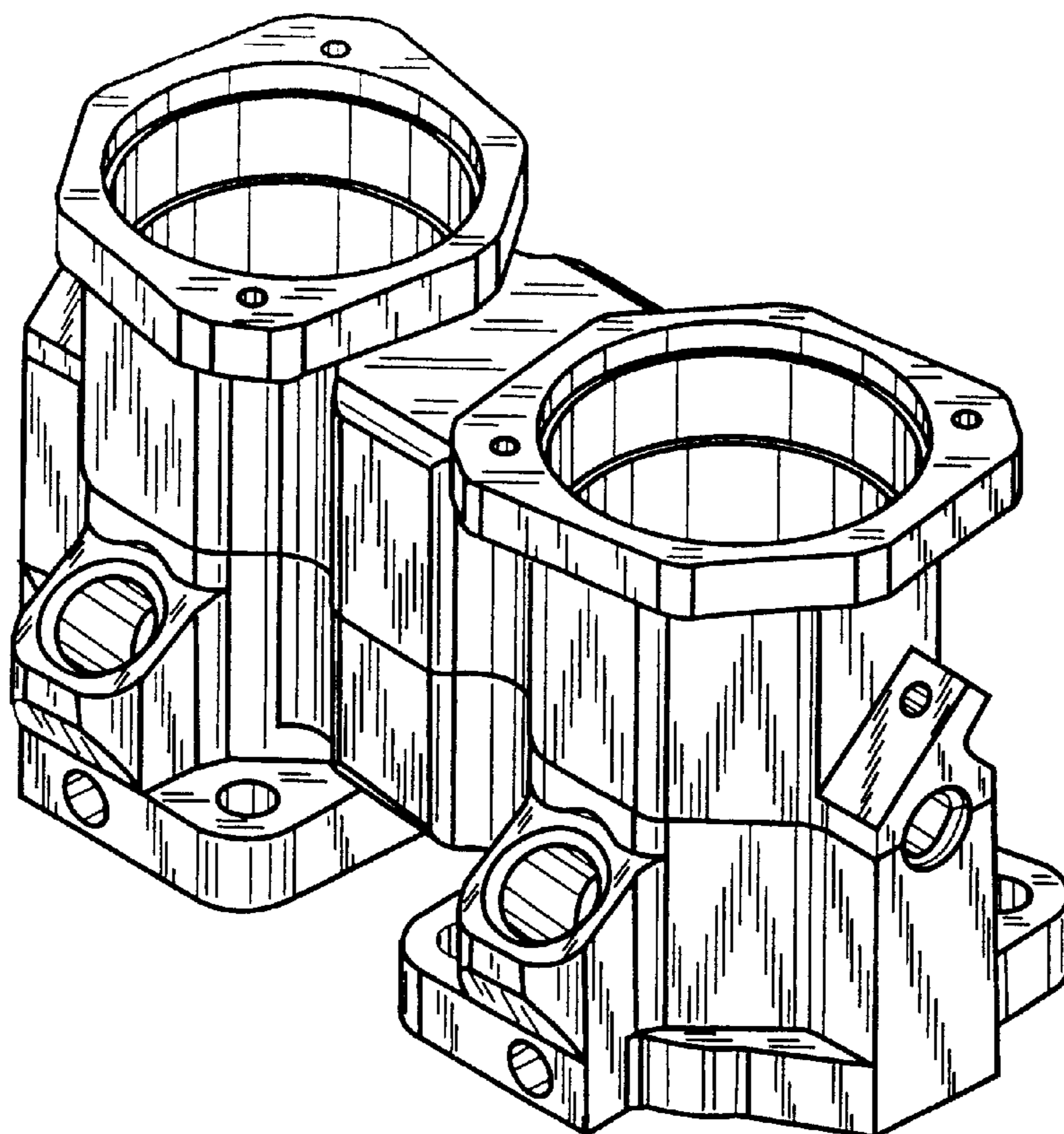
See application file for complete search history.

(56) **References Cited**

**U.S. PATENT DOCUMENTS**

1,499,794 A \* 7/1924 Wennerby ..... 123/533

**1 Claim, 2 Drawing Sheets**



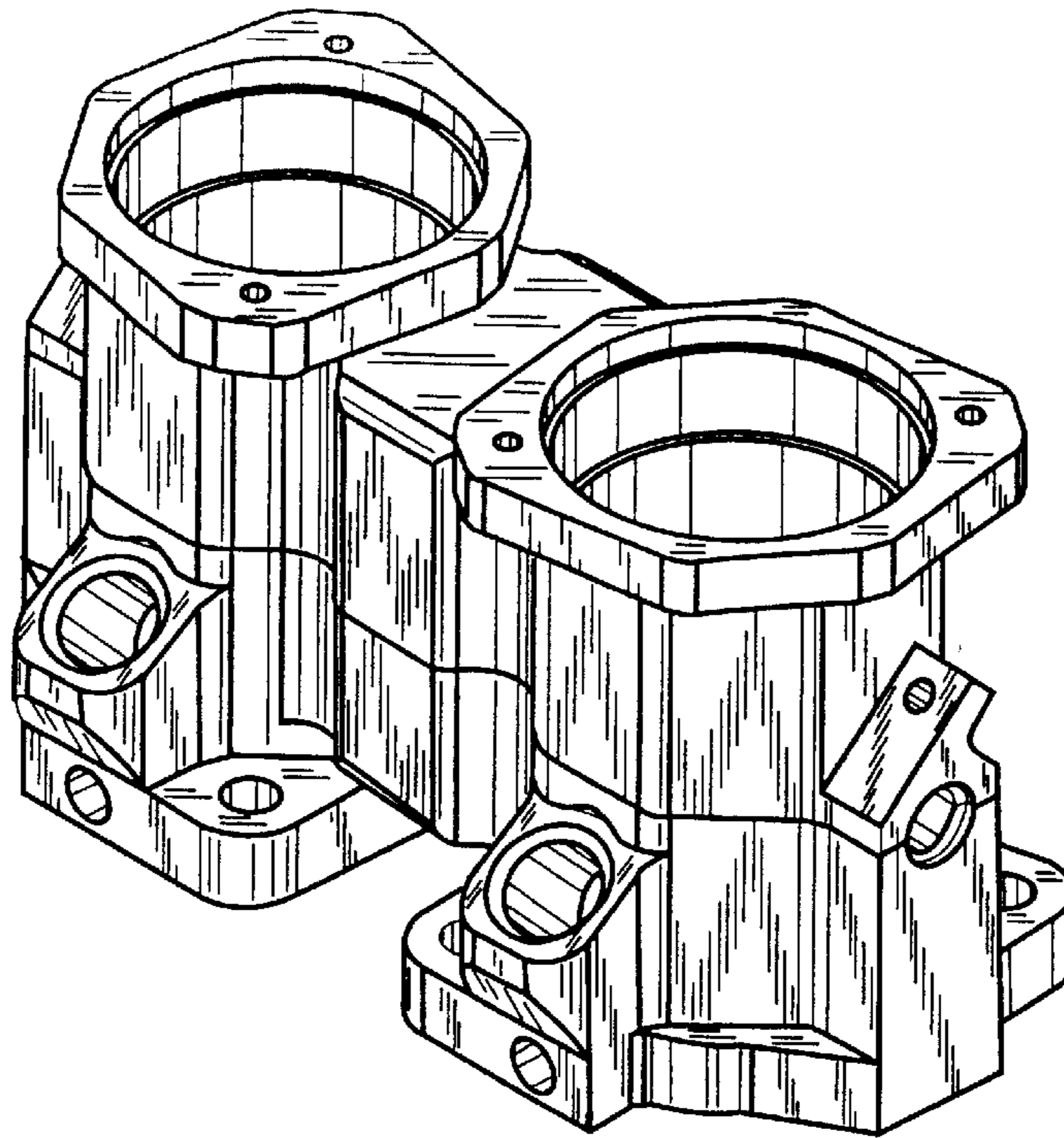


FIG. 1

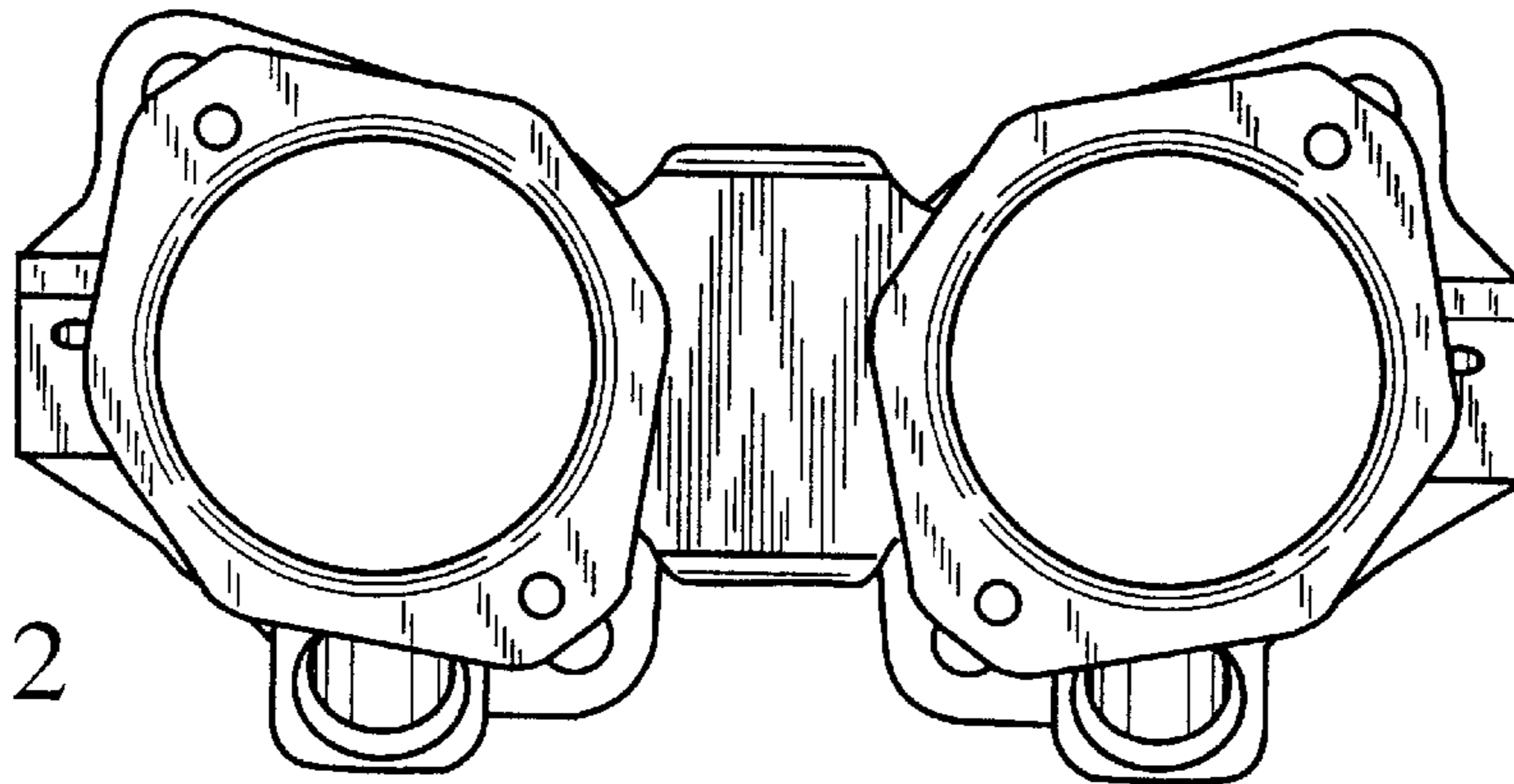


FIG. 2

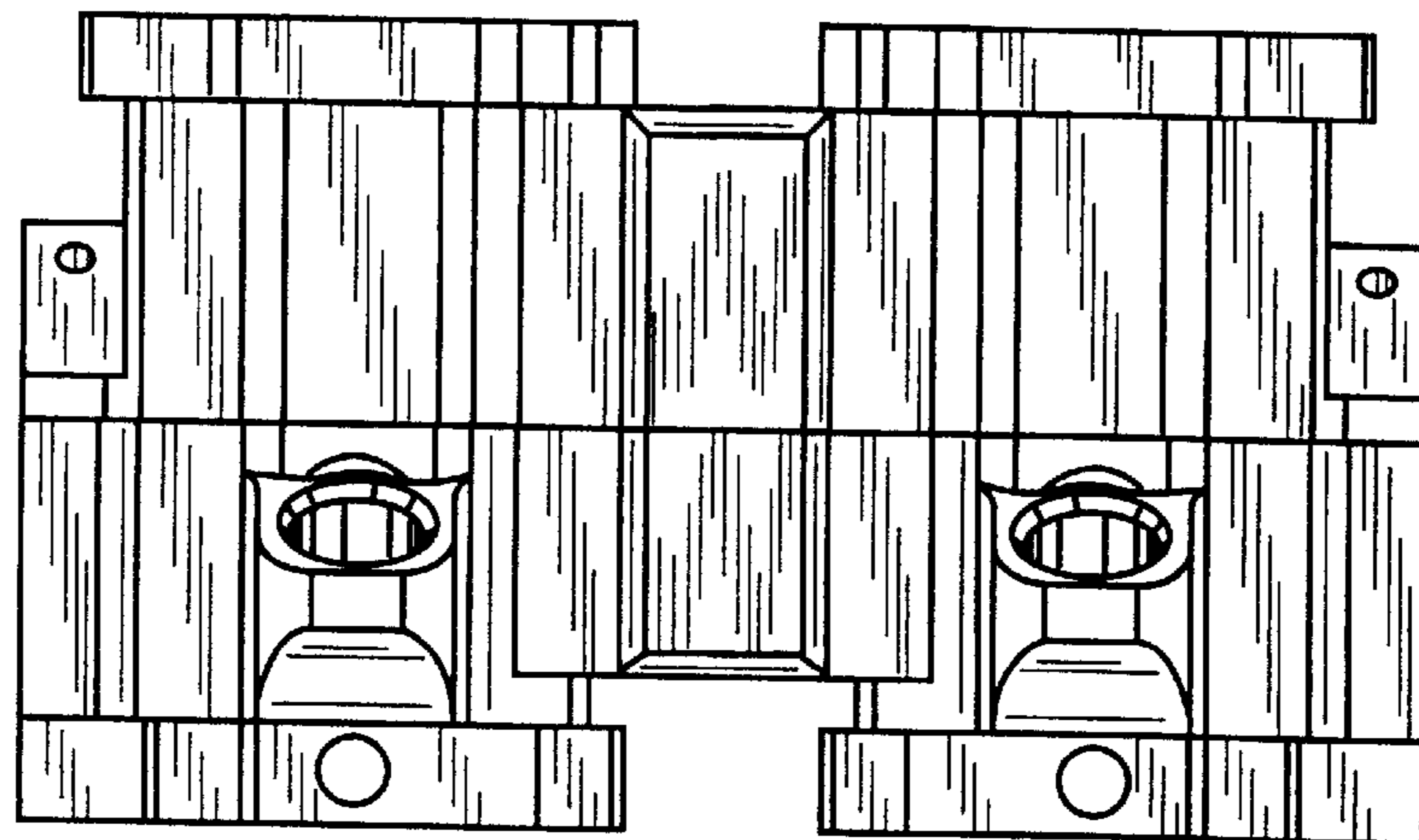


FIG. 3

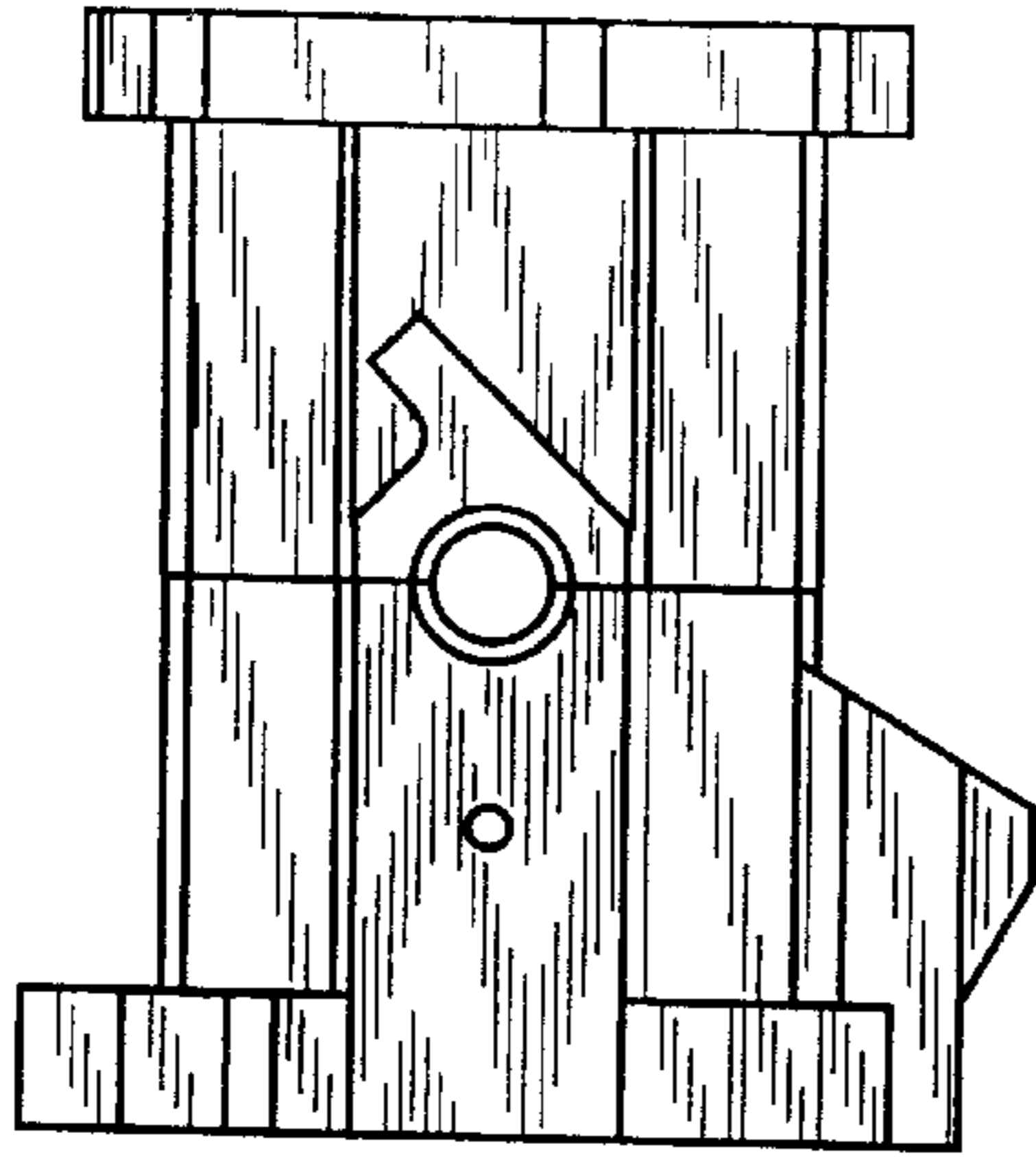


FIG. 4

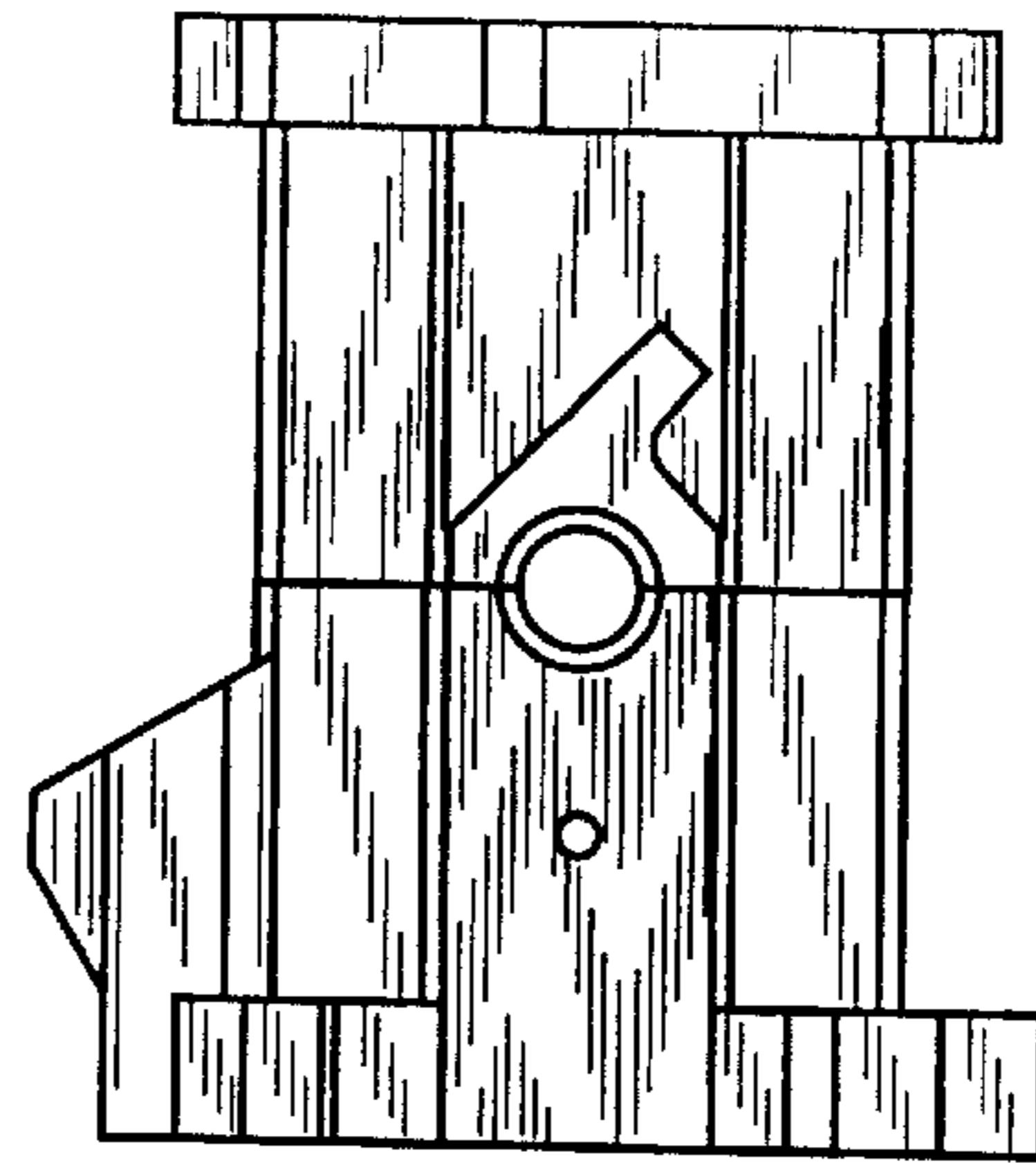


FIG. 5

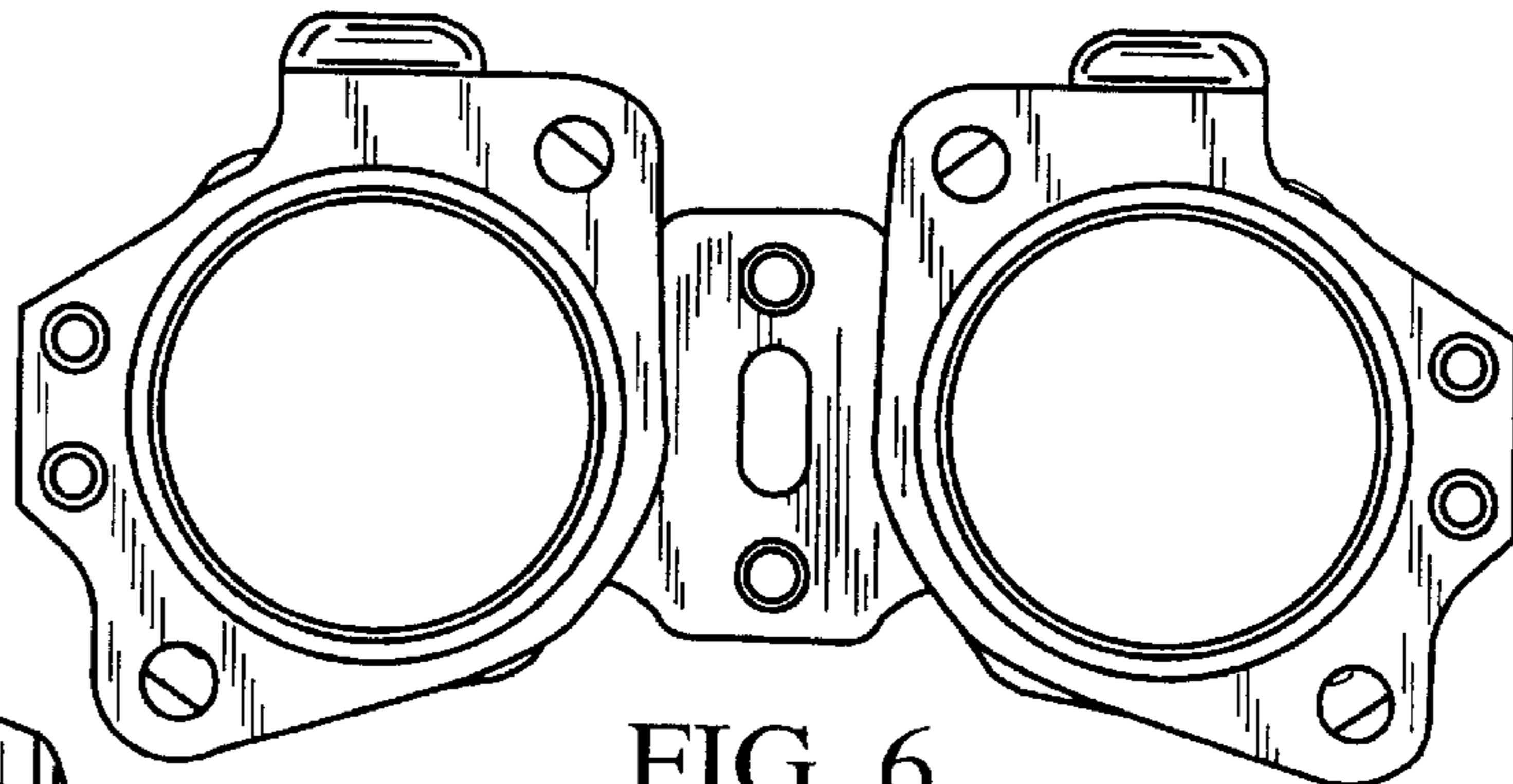


FIG. 6

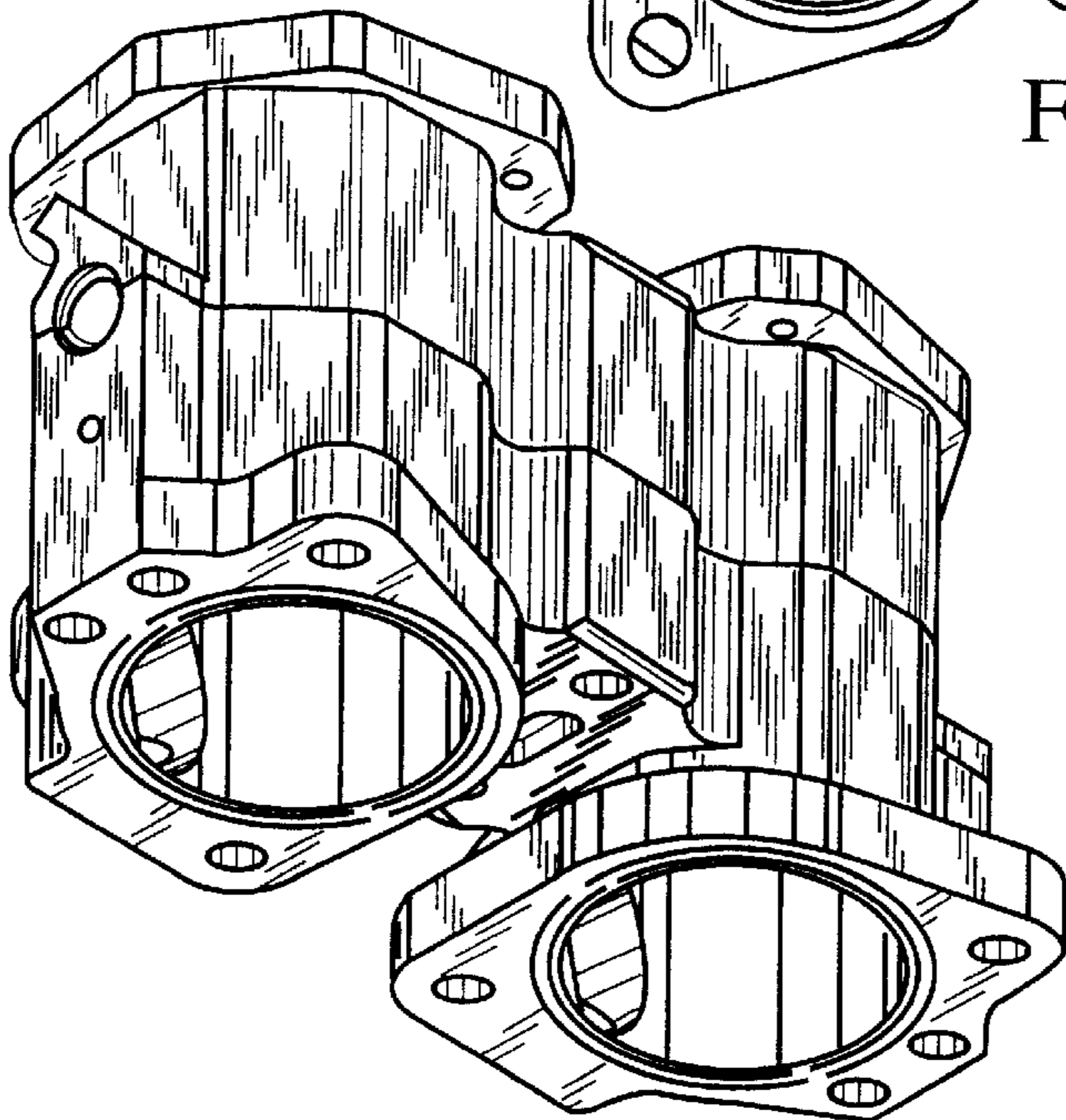


FIG. 7