



US00D539306S

(12) **United States Design Patent**
Naruki

(10) **Patent No.:** **US D539,306 S**

(45) **Date of Patent:** **** Mar. 27, 2007**

(54) **DIGITAL AUDIO PLAYER**
(75) Inventor: **Masatomo Naruki**, Kawasaki (JP)
(73) Assignee: **Kabushiki Kaisha Toshiba** (JP)
(**) Term: **14 Years**

D507,277 S * 7/2005 Sitoh D14/496
D511,347 S 11/2005 Naruki
D511,529 S * 11/2005 Sassano D14/496
D514,123 S * 1/2006 Naruki et al. D14/496
D517,088 S * 3/2006 Chong et al. D14/496

(21) Appl. No.: **29/253,998**
(22) Filed: **Feb. 16, 2006**
(30) **Foreign Application Priority Data**

FOREIGN PATENT DOCUMENTS

JP 1250837 9/2005

OTHER PUBLICATIONS

Samsung Catalog of a Digital audio player, (YP-T7), May 17, 2005.

Dec. 16, 2005 (JP) 2005-037132

* cited by examiner

(51) **LOC (8) Cl.** **14-03**
(52) **U.S. Cl.** **D14/496**
(58) **Field of Classification Search** D14/496,
D14/401, 435, 474, 483, 217, 137, 138, 160,
D14/168; 345/156, 169, 173-179, 905; 715/727-729,
715/864; 455/11.1, 773, 344-347, 93, 95;
370/342-344; 369/1, 2, 6, 12; 463/43-47;
273/148 B

Primary Examiner—Prabhakar Deshmukh
(74) *Attorney, Agent, or Firm*—Banner & Witcoff, Ltd.

See application file for complete search history.

(57) **CLAIM**

The ornamental design for a digital audio player, as shown and described.

(56) **References Cited**

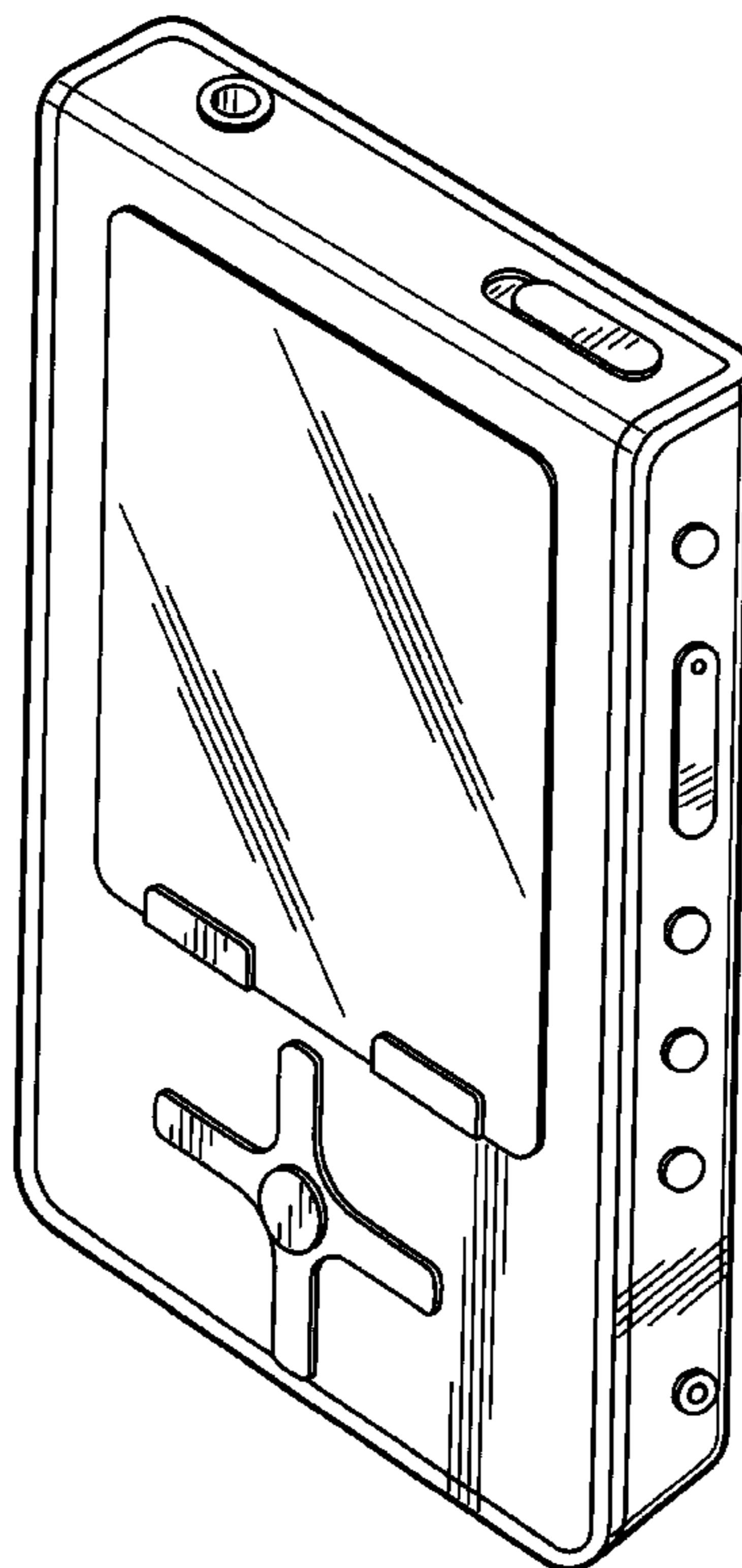
U.S. PATENT DOCUMENTS

5,661,632 A * 8/1997 Register 361/683
6,122,526 A * 9/2000 Parulski et al. 455/556.1
6,669,092 B2 * 12/2003 Leanheart et al. 235/462.13
D486,133 S * 2/2004 Martinez et al. D14/156
D489,052 S 4/2004 Shiraki et al.
D493,779 S * 8/2004 Lee D14/156

DESCRIPTION

FIG. 1 is a front, top and right side perspective view of a digital audio player, showing my new design;
FIG. 2 is a top plan view thereof;
FIG. 3 is a left side elevational view thereof;
FIG. 4 is a front elevational view thereof;
FIG. 5 is a right side elevational view thereof;
FIG. 6 is a bottom plan view thereof; and,
FIG. 7 is a rear elevational view thereof.

1 Claim, 3 Drawing Sheets



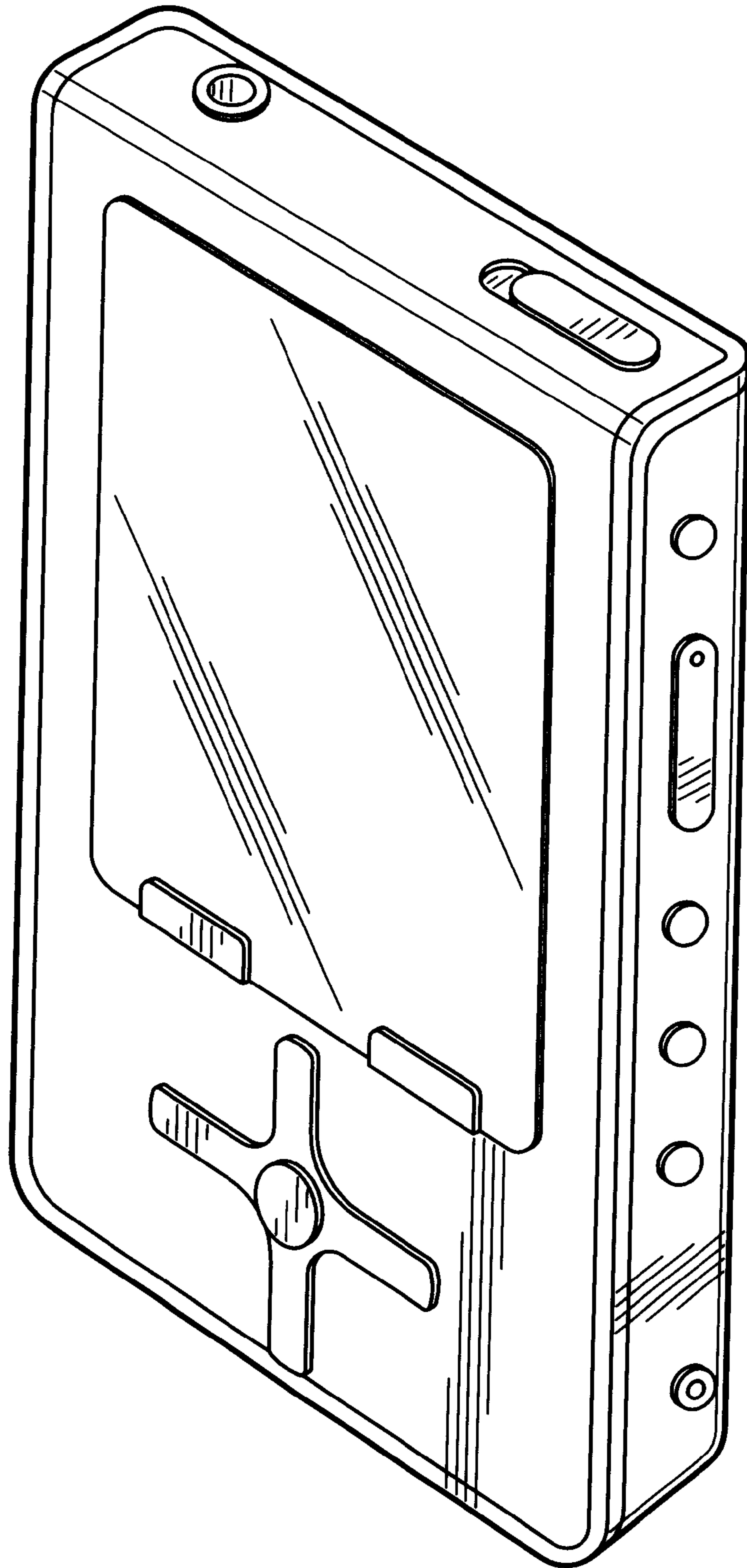


FIG. 1



FIG. 2

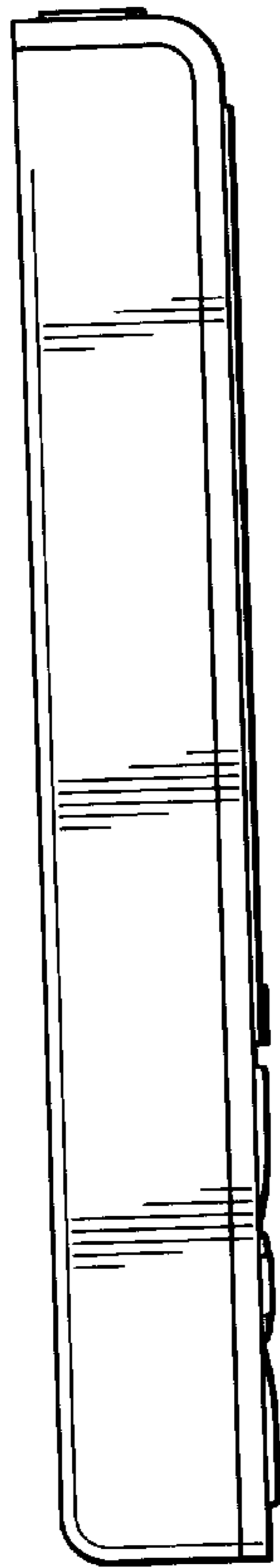


FIG. 3

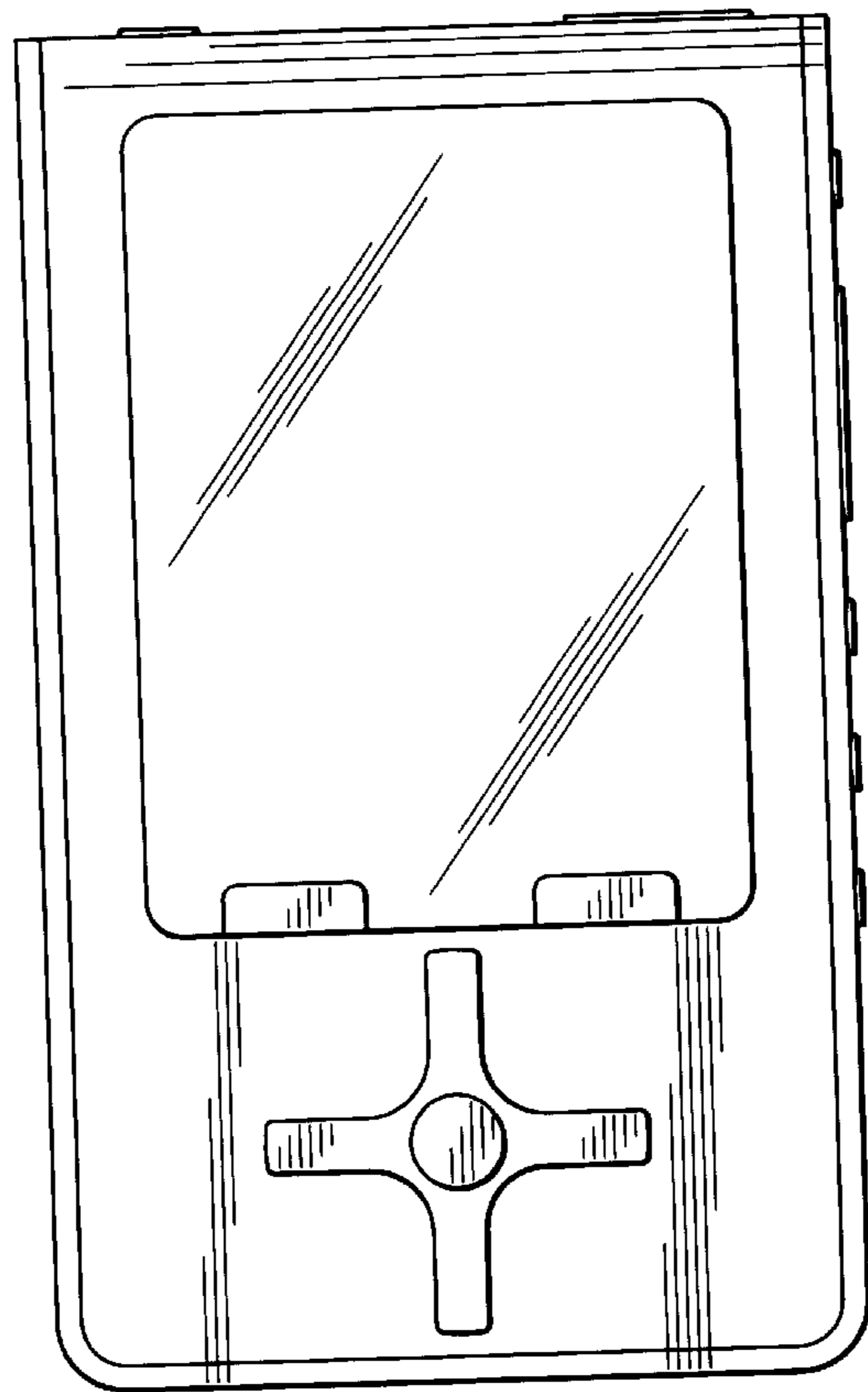


FIG. 4

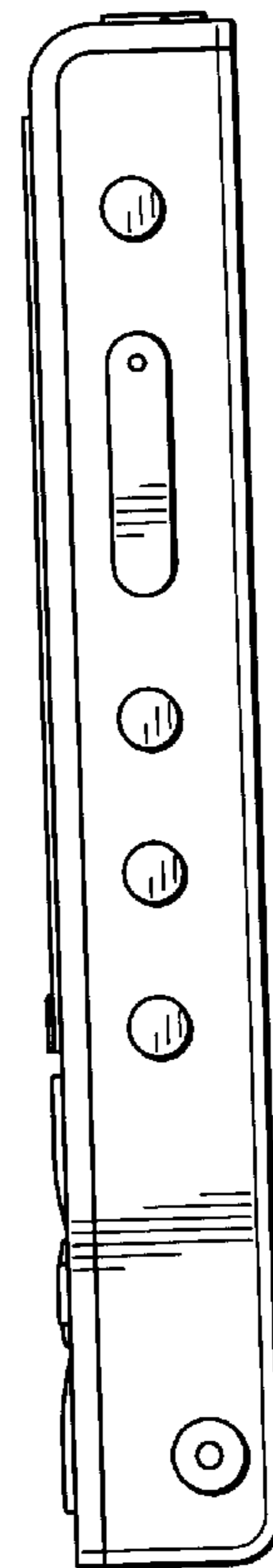


FIG. 5

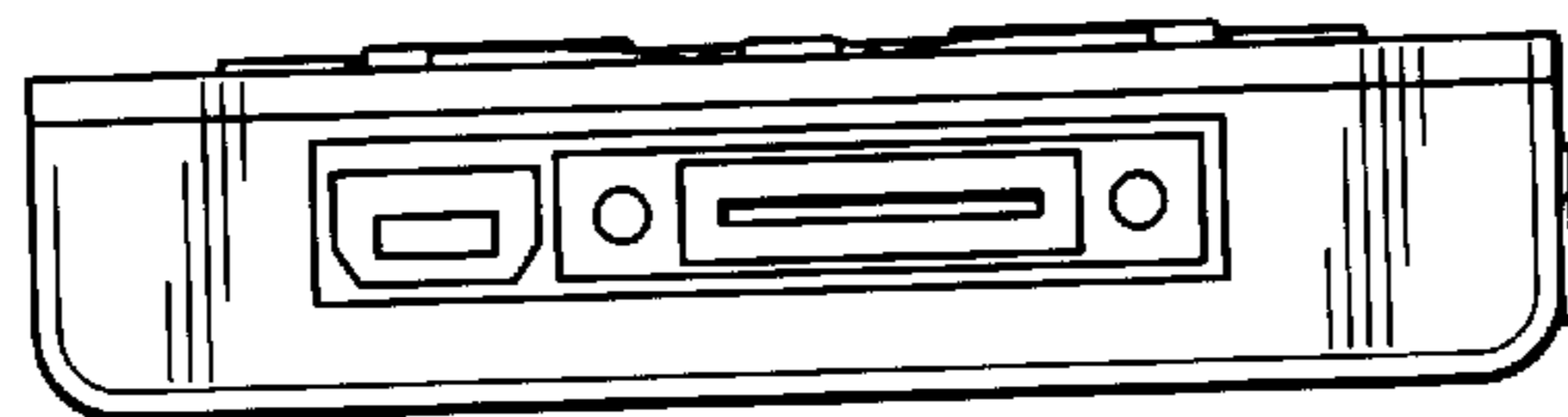


FIG. 6

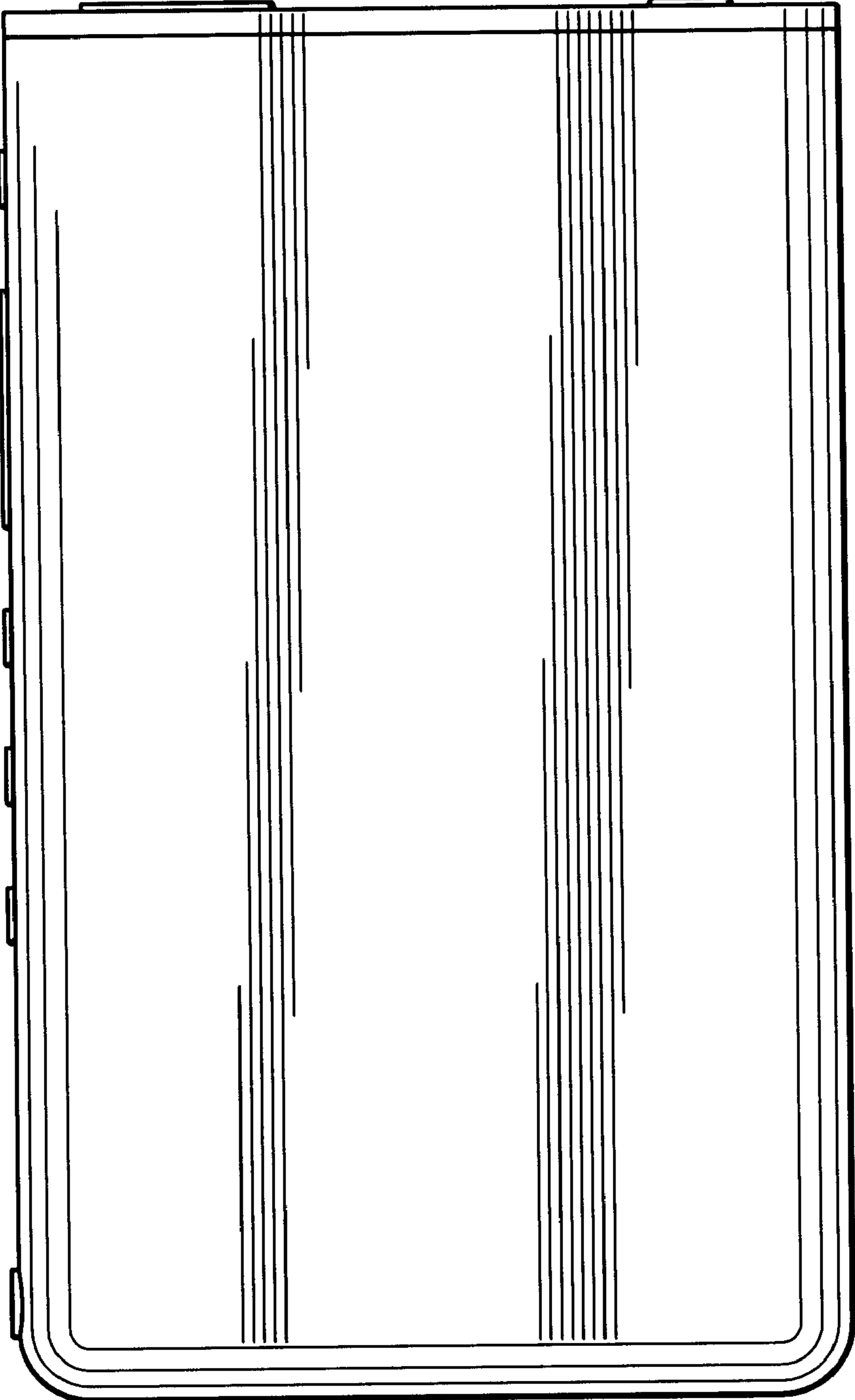


FIG.7