



US00D539305S

(12) **United States Design Patent**
Kim et al.

(10) **Patent No.:** **US D539,305 S**

(45) **Date of Patent:** **** Mar. 27, 2007**

(54) **MP3 PLAYER**

(76) Inventors: **Tae Ho Kim**, 101-802 Dongbu Apt. No. 691, Pungdukchun-Dong, Yongin-si, Gyeonggi-Do (KR); **Clive Goodwin**, 3rd Floor, 27 St. John's Lane, London (GB), EC1M 4BU; **Joo Hee Lee**, 3rd Floor, 27 St. John's Lane, London (GB), EC1M 4BU

(**) Term: **14 Years**

(21) Appl. No.: **29/244,468**

(22) Filed: **Dec. 9, 2005**

(30) **Foreign Application Priority Data**

Sep. 2, 2005 (KR) 30-2005-0029710

(51) **LOC (8) Cl.** **14-03**

(52) **U.S. Cl.** **D14/496**

(58) **Field of Classification Search** D14/496, D14/401, 435, 474, 483, 217, 137, 138, 160, D14/168; 345/156, 169, 173-179, 905; 715/727-729, 715/864; 455/11.1, 7, 73, 344-347, 93, 95; 370/342-344; 369/1, 2, 6, 12; 463/43-47; 273/148 B

See application file for complete search history.

(56) **References Cited**

U.S. PATENT DOCUMENTS

D489,701 S * 5/2004 Griffin D14/155

D491,914 S * 6/2004 Lee D14/188
D501,485 S * 2/2005 Lian et al. D14/496
6,850,256 B2 * 2/2005 Crow et al. 715/798
D504,442 S * 4/2005 Kim D14/496
D512,436 S * 12/2005 Chan D14/496
D520,518 S * 5/2006 Byun D14/496
7,046,230 B2 * 5/2006 Zadesky et al. 345/156
7,052,136 B2 * 5/2006 Johnson 353/15
D525,989 S * 8/2006 Choe D14/496

* cited by examiner

Primary Examiner—Prabhakar Deshmukh

(74) *Attorney, Agent, or Firm*—Irving Keschner

(57) **CLAIM**

The ornamental design for MP3 player, as shown.

DESCRIPTION

FIG. 1 is a perspective view of a MP3 player showing our new design;

FIG. 2 is a front elevational view thereof;

FIG. 3 is a rear elevational view thereof;

FIG. 4 is a left side elevational view thereof;

FIG. 5 is a right side elevational view thereof;

FIG. 6 is a top plan view thereof;

FIG. 7 is a bottom plan view thereof; and,

FIG. 8 is a rear perspective view with the clip stand shown in an extended position.

1 Claim, 3 Drawing Sheets

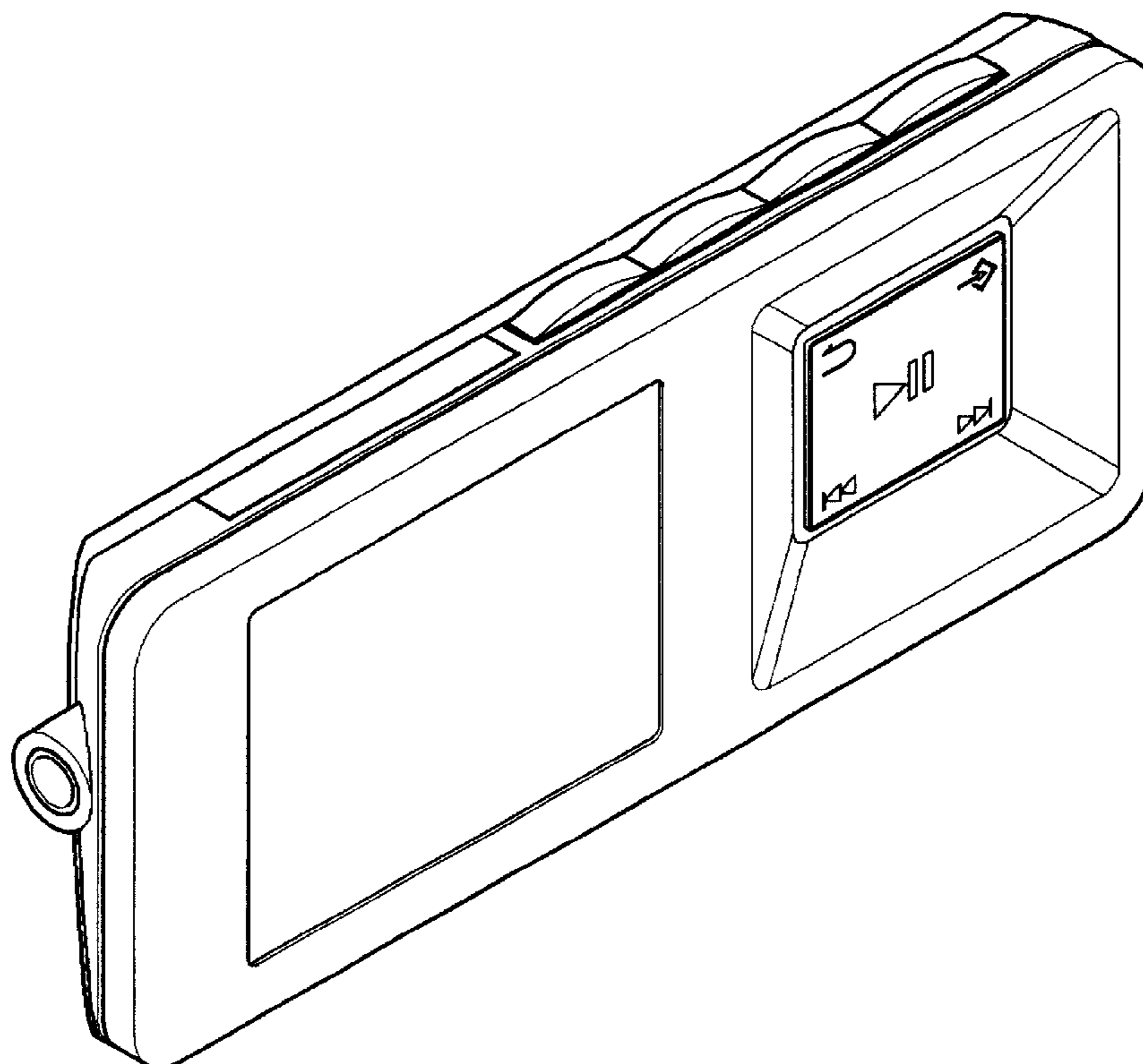


Fig. 1

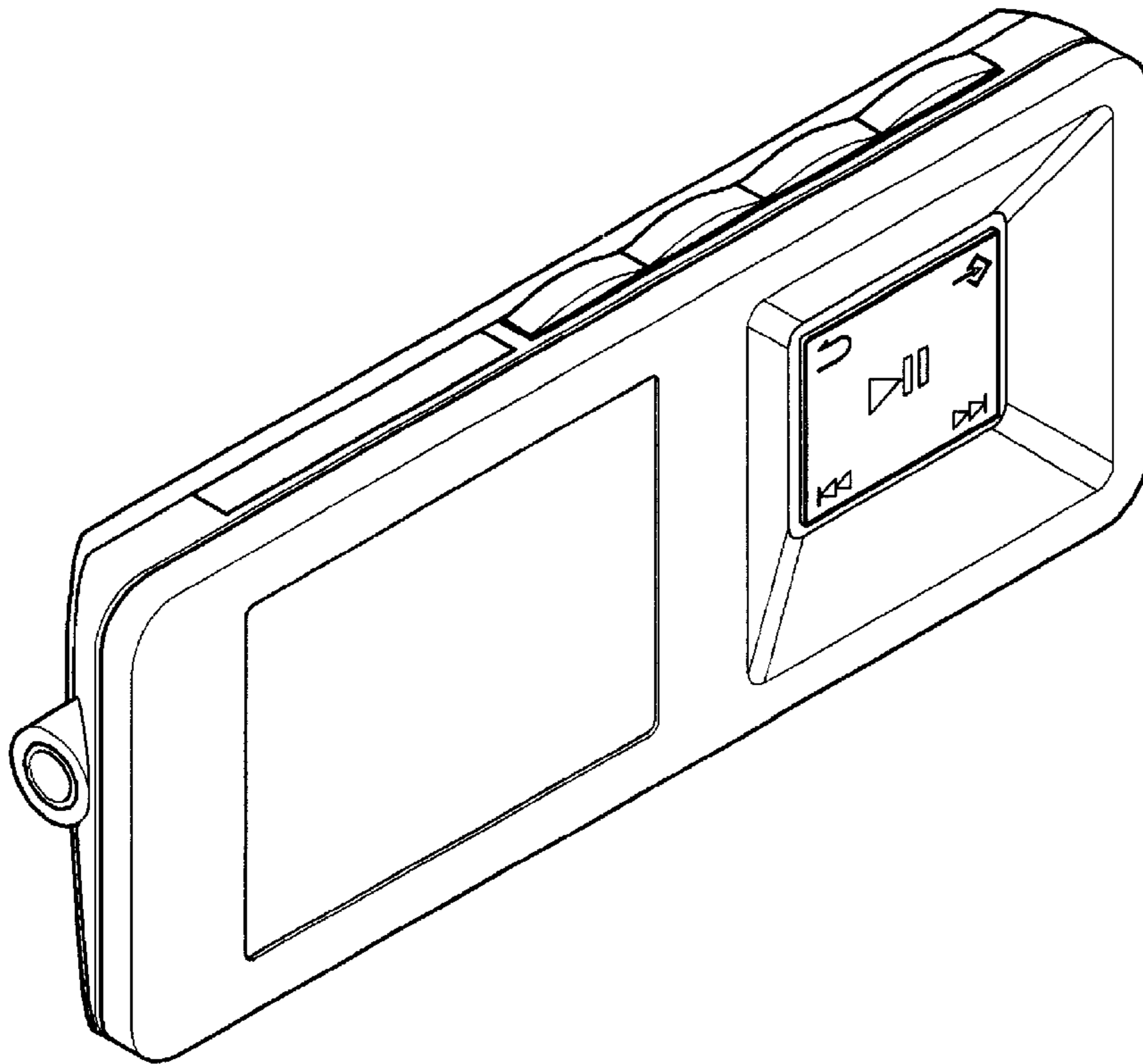


Fig. 2

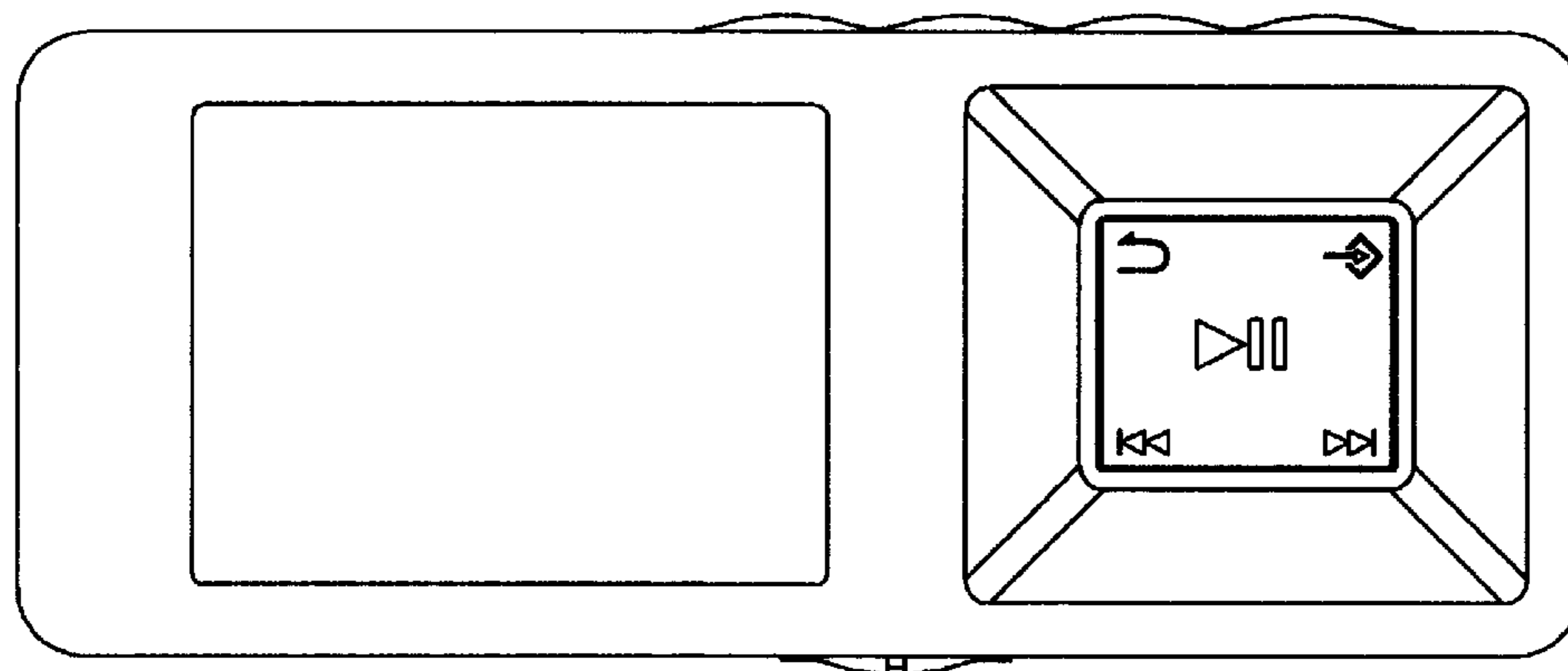


Fig. 3

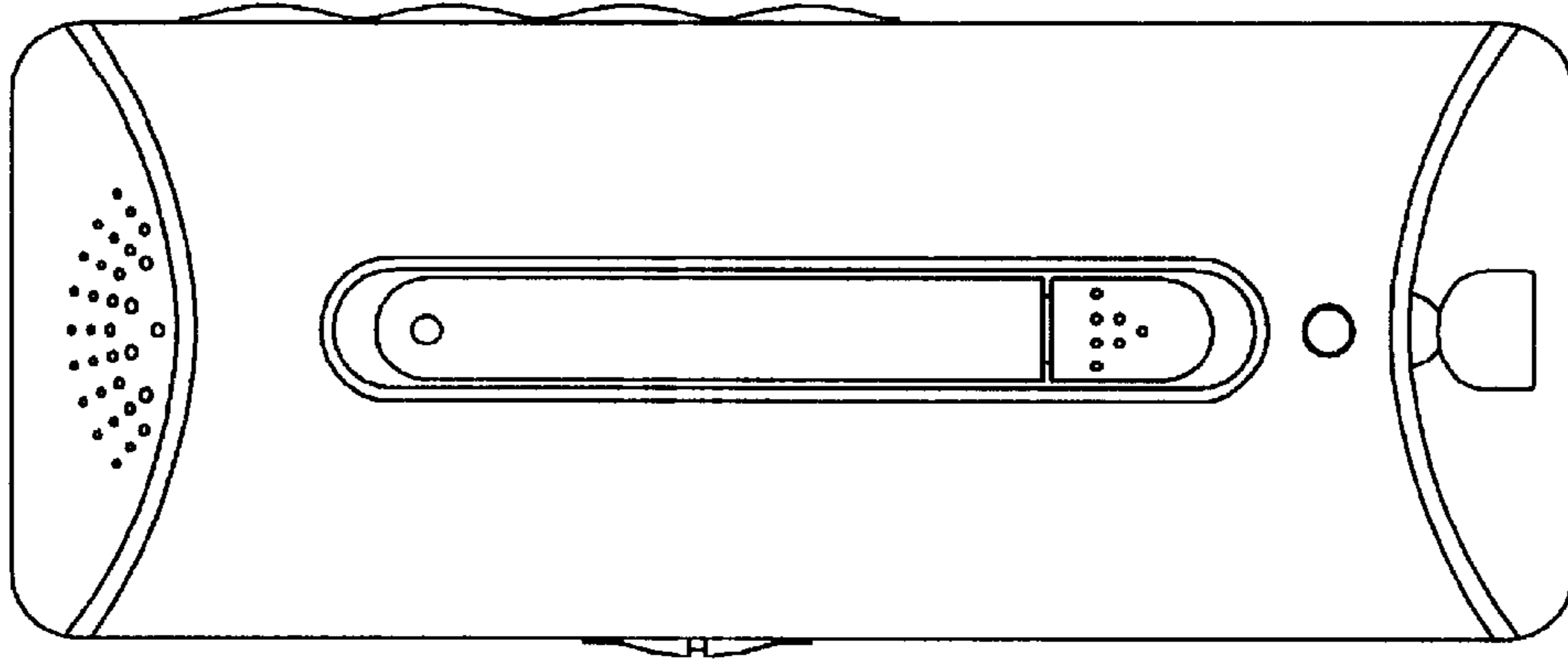


Fig. 4

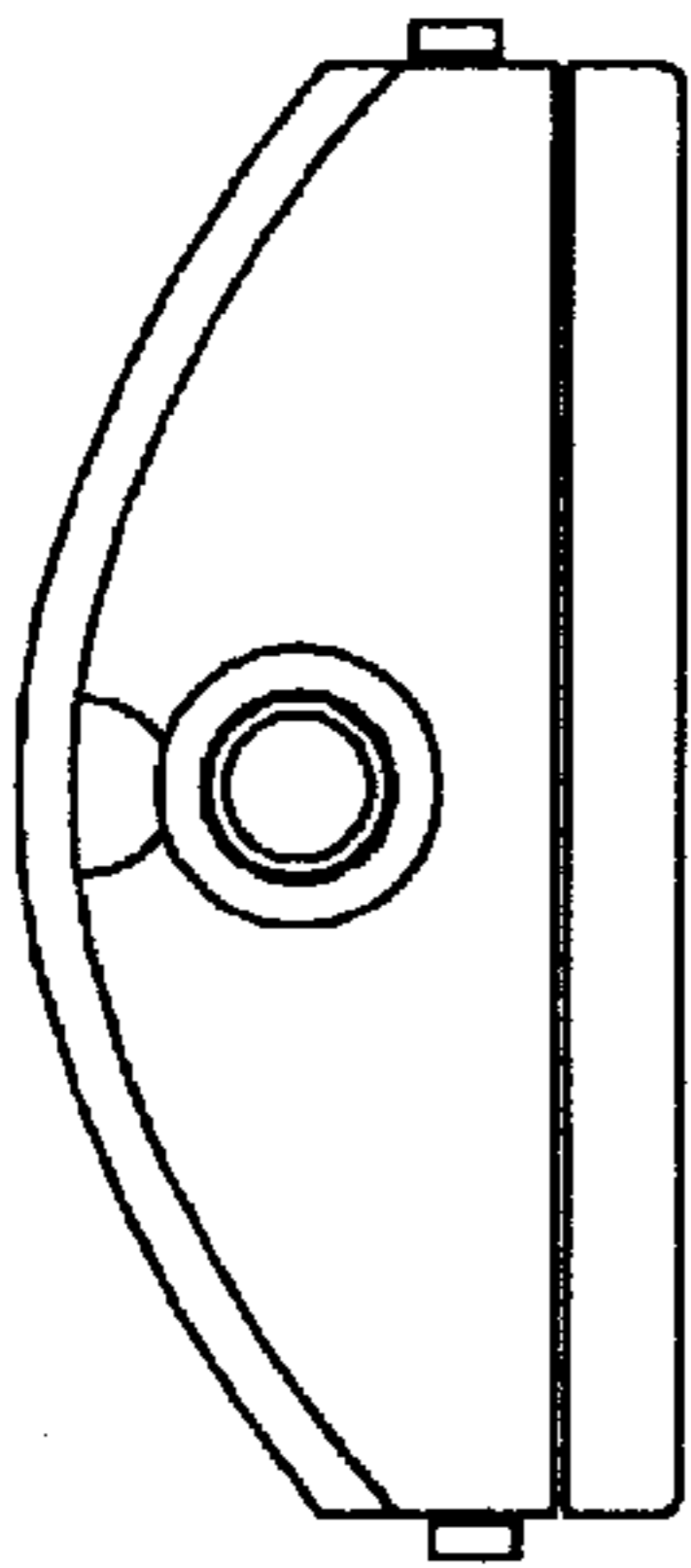


Fig. 5

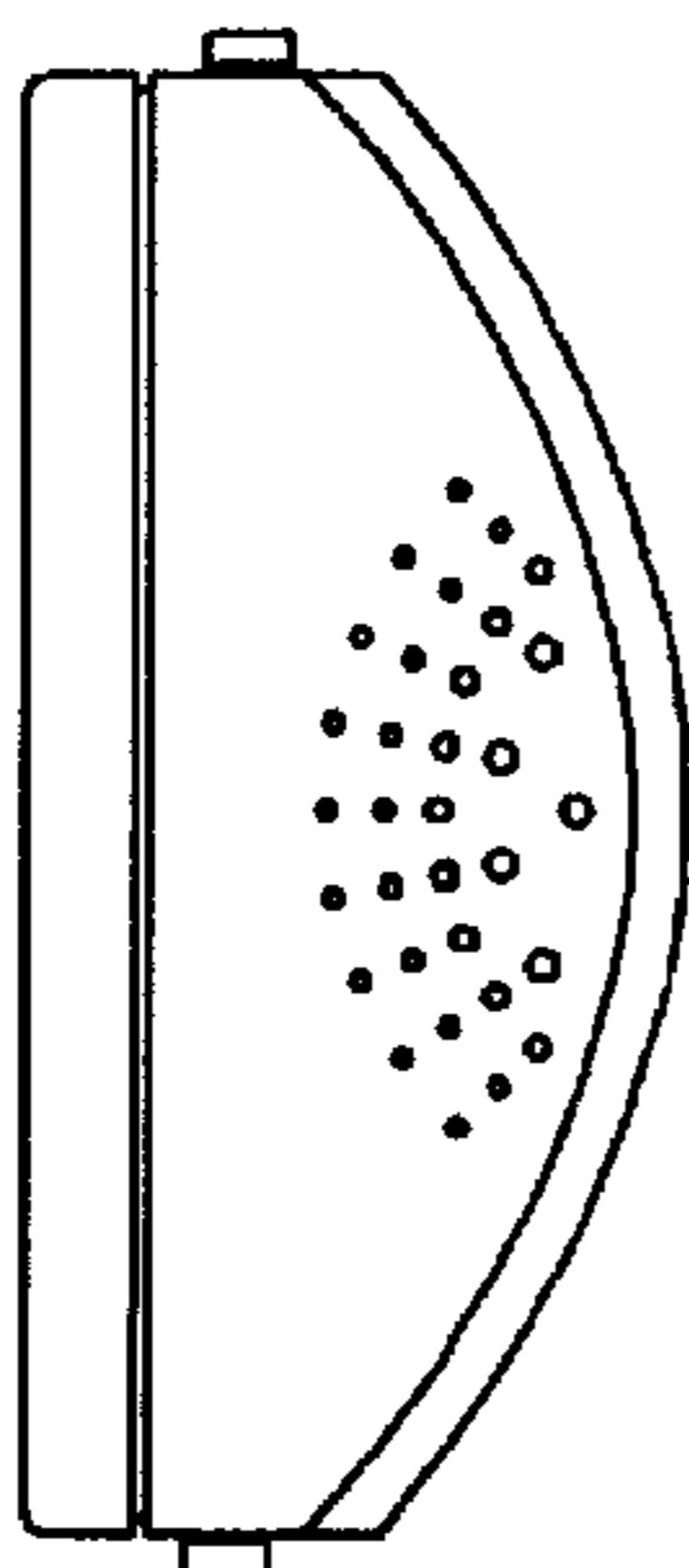


Fig. 6

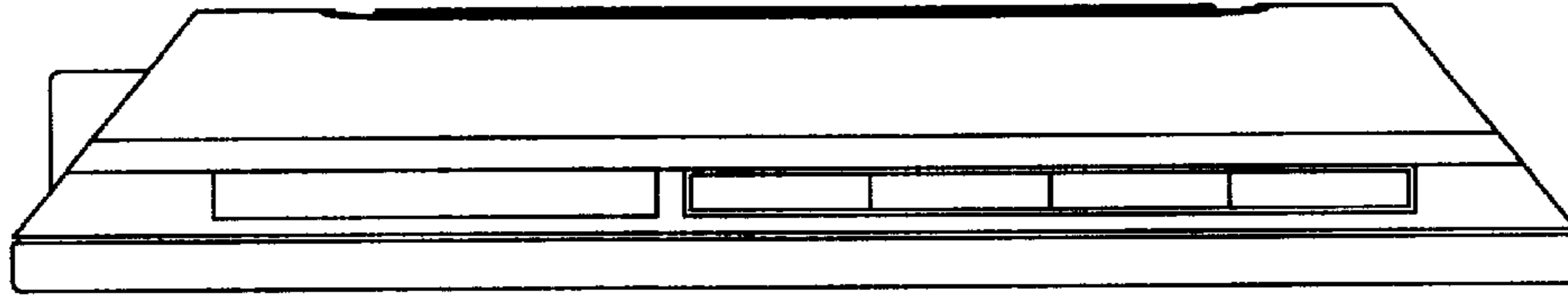


Fig. 7

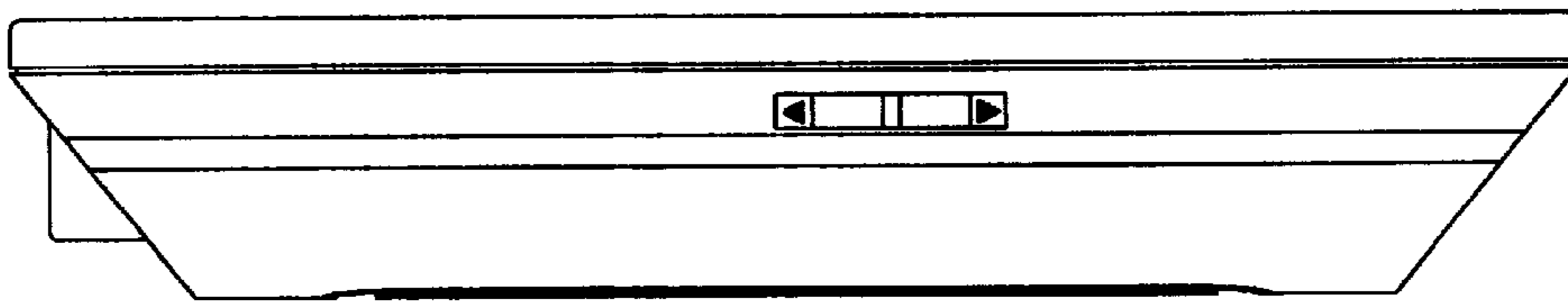


Fig. 8

