



US00D539304S

(12) **United States Design Patent**  
**Lee**

(10) **Patent No.:** **US D539,304 S**  
(45) **Date of Patent:** **\*\* Mar. 27, 2007**

- (54) **MP3 PLAYER**
- (75) Inventor: **Johann Lee**, Maspeth, NY (US)
- (73) Assignee: **Coby Electronics Corporation**,  
Maspeth, NY (US)
- (\*\*) Term: **14 Years**
- (21) Appl. No.: **29/233,850**
- (22) Filed: **Jul. 12, 2005**
- (51) **LOC (8) Cl.** ..... **14-03**
- (52) **U.S. Cl.** ..... **D14/496**
- (58) **Field of Classification Search** ..... D14/496,  
D14/401, 435, 474, 483, 217, 137, 138, 160,  
D14/168; 345/156, 169, 173-179, 905; 715/727-729,  
715/864; 455/11.1, 7, 73, 344-347, 93, 95;  
370/342-344; 369/1, 2, 6, 12  
See application file for complete search history.

- D467,892 S \* 12/2002 Lewis ..... D14/156
- D477,820 S 7/2003 Suzuki et al.
- D478,889 S 8/2003 Kulkarni
- D481,375 S 10/2003 Suzuki
- D485,254 S 1/2004 Tien
- D489,350 S 5/2004 Lee
- D489,704 S 5/2004 Kim
- D491,910 S 6/2004 Zeitman
- D492,279 S 6/2004 Lee
- D492,941 S 7/2004 Komiyama
- D496,668 S \* 9/2004 Huang ..... D14/496
- D511,337 S \* 11/2005 Kim ..... D14/156
- D514,122 S \* 1/2006 Rodarte ..... D14/496
- D518,065 S \* 3/2006 Kobayashi ..... D14/496
- D521,022 S \* 5/2006 Chen ..... D14/496
- D527,017 S \* 8/2006 Kim ..... D14/496

\* cited by examiner

*Primary Examiner*—Prabhakar Deshmukh  
(74) *Attorney, Agent, or Firm*—Mayer, Brown, Rowe & Maw, LLP

(56) **References Cited**  
U.S. PATENT DOCUMENTS

- D328,074 S 7/1992 Yamazaki et al.
- D338,010 S 8/1993 Yamatogi
- D345,162 S 3/1994 Yamatogi
- D345,163 S 3/1994 Yamatogi
- D348,465 S 7/1994 Yamatogi
- D348,466 S 7/1994 Yamatogi
- D358,389 S 5/1995 Isono
- D377,021 S 12/1996 Isono
- D394,062 S 5/1998 Chun
- D399,206 S 10/1998 Yasutomi et al.
- D404,035 S 1/1999 Delazzer
- D431,544 S 10/2000 Kobayashi
- D439,574 S 3/2001 Katayama
- 6,227,966 B1 \* 5/2001 Yokoi ..... 463/1
- D444,140 S 6/2001 Ishibashi
- D446,203 S \* 8/2001 Arpe ..... D14/156
- 6,287,193 B1 \* 9/2001 Rehkemper et al. .... 463/1
- D453,015 S 1/2002 Yuyama
- D456,383 S 4/2002 Chen
- D458,245 S 6/2002 Masude
- D463,396 S 9/2002 Beraut et al.

(57) **CLAIM**

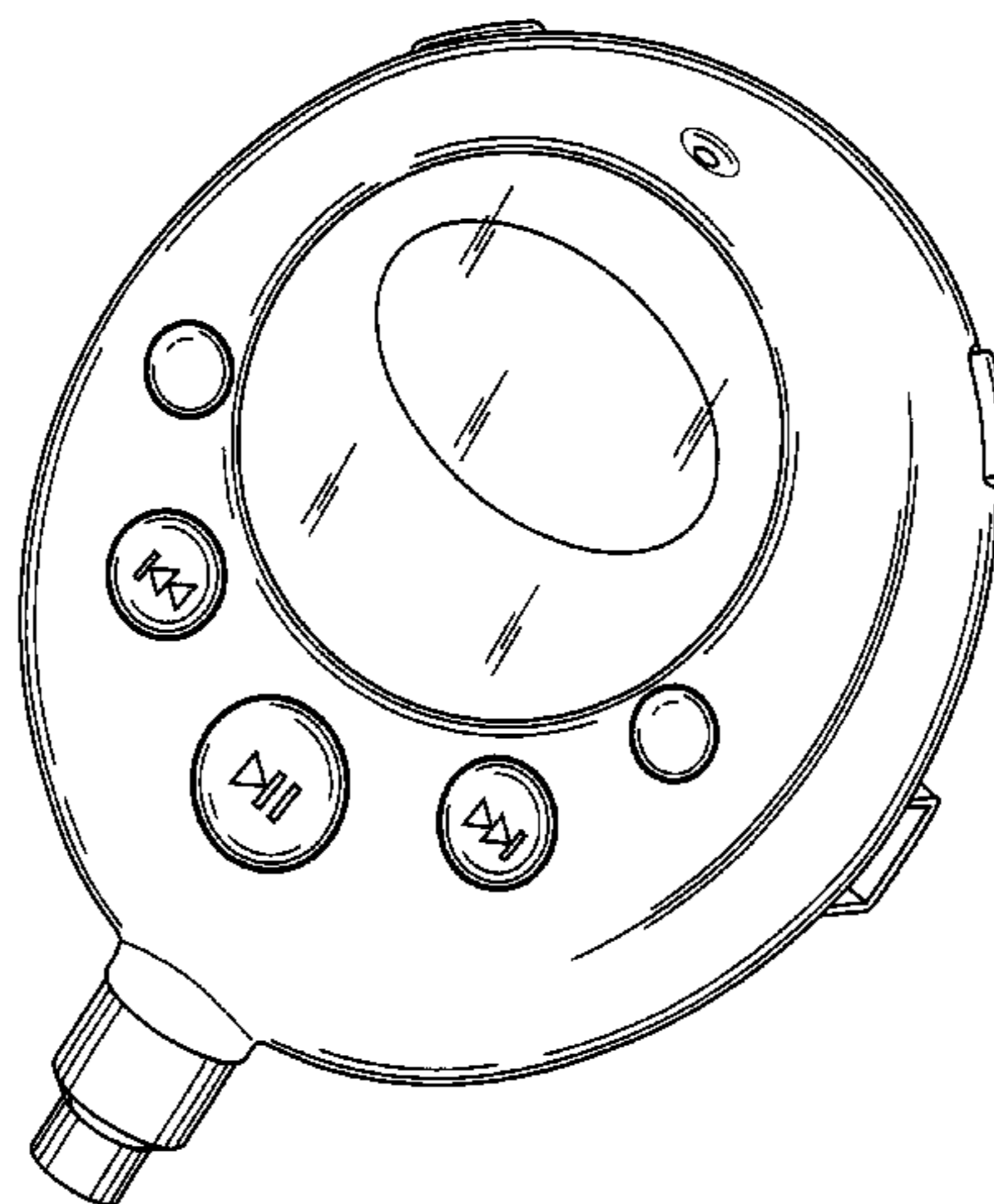
The ornamental design for a MP3 player, as shown and described.

**DESCRIPTION**

A portion of this patent document contains material which is subject to copyright protection. The copyright owner has no objection to the facsimile reproduction by anyone of the patent document or the patent disclosure, as it appears in the Patent and Trademark Office patent files or records, but otherwise reserves all copyrights whatsoever.

- FIG. 1 is a perspective view of an MP3 player according to an embodiment of my new design;
- FIG. 2 is a front elevation view thereof;
- FIG. 3 is a rear elevation view thereof;
- FIG. 4 is a right side elevation view thereof;
- FIG. 5 is a left side elevation view thereof;
- FIG. 6 is top plan view thereof; and,
- FIG. 7 is a bottom plan view thereof.

**1 Claim, 3 Drawing Sheets**



*FIG. 1*

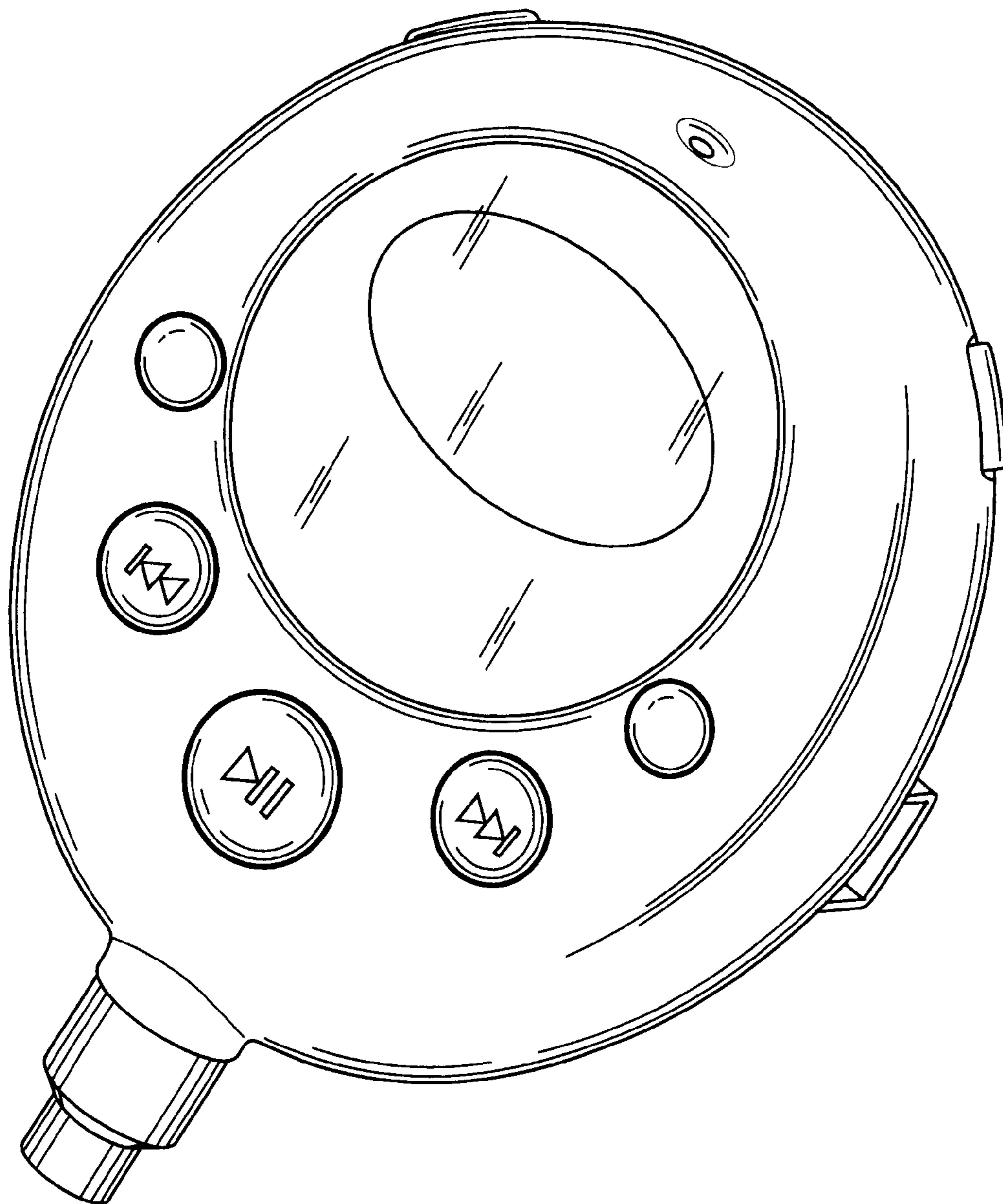


FIG. 3

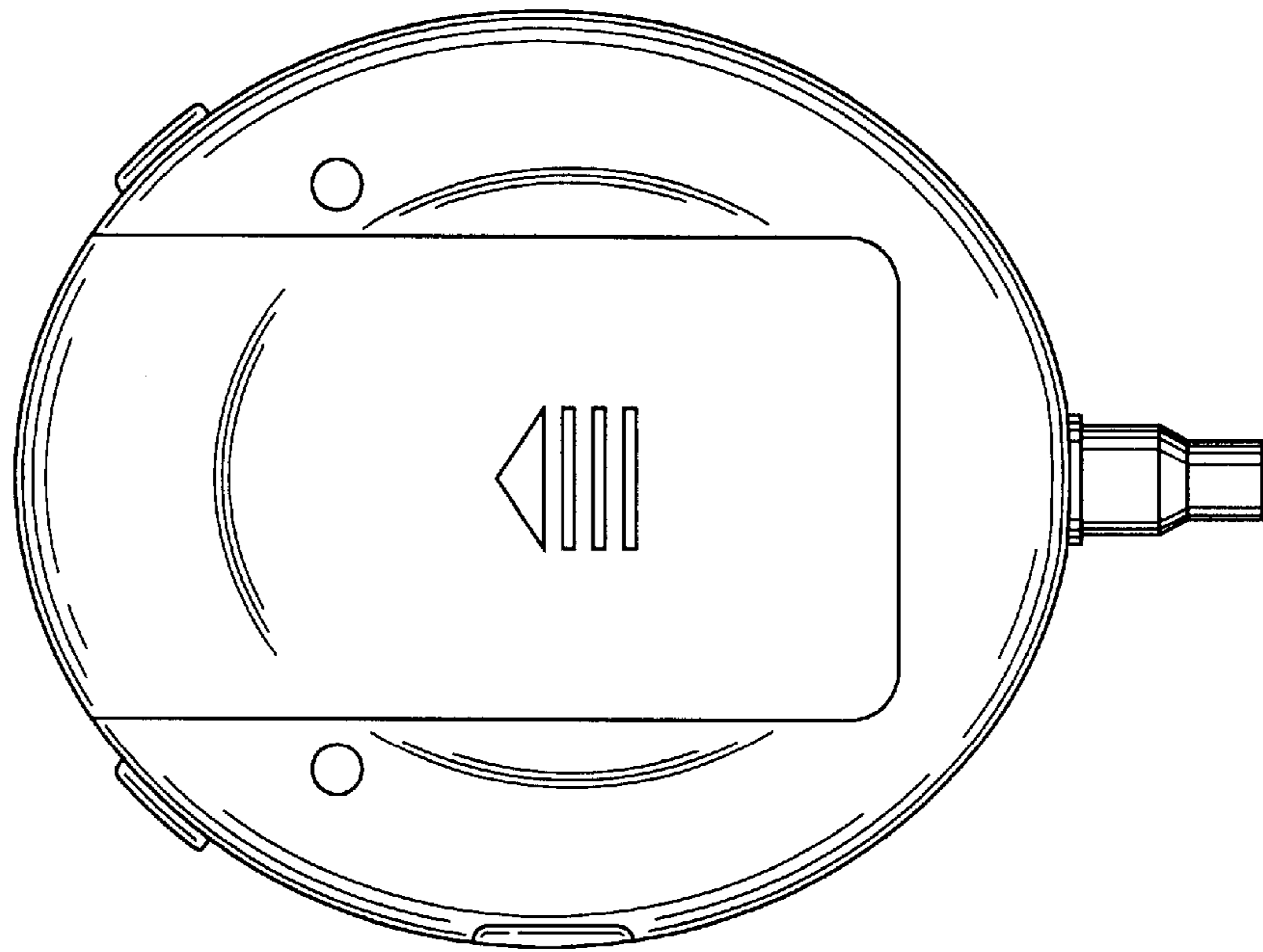
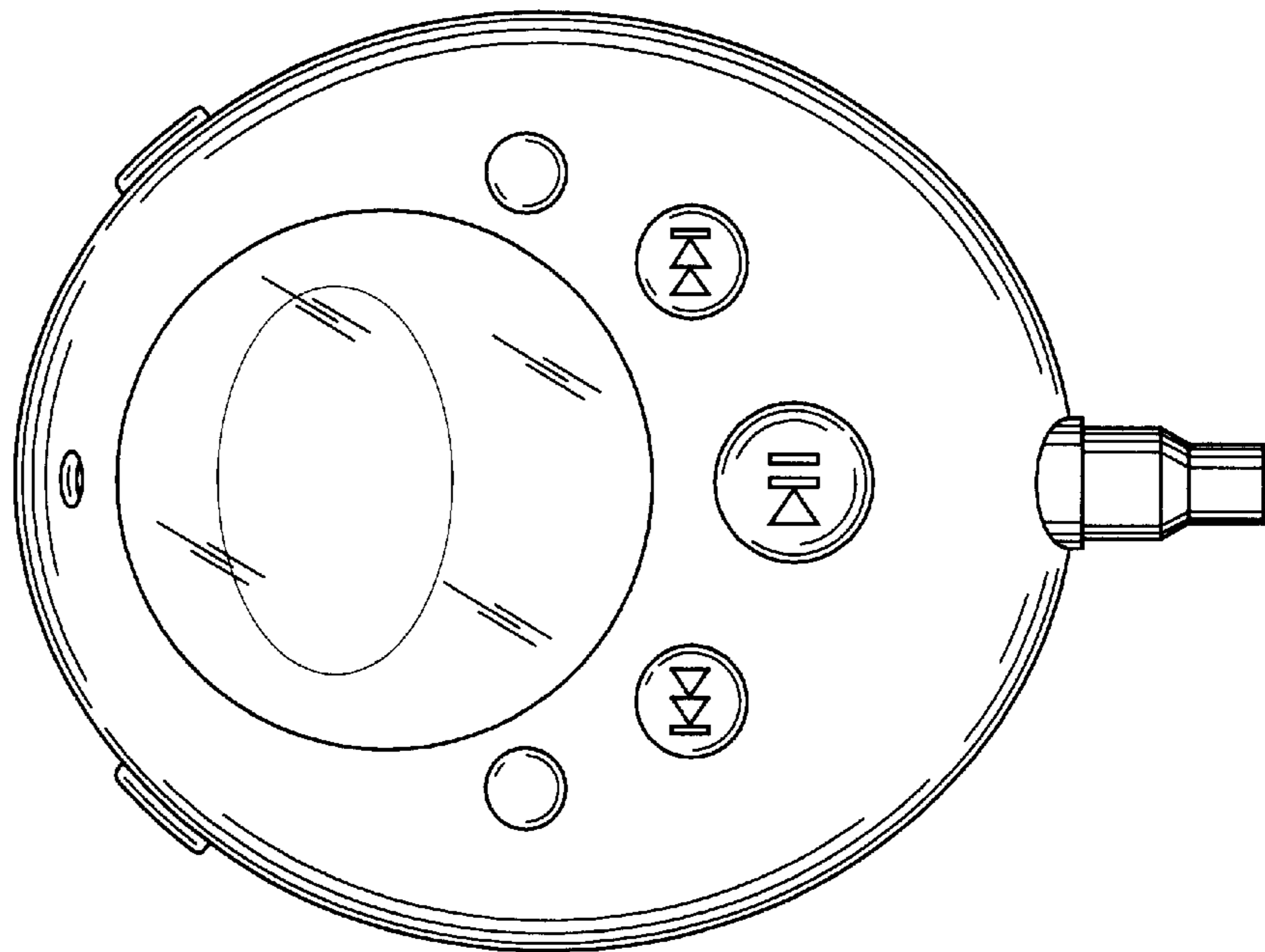
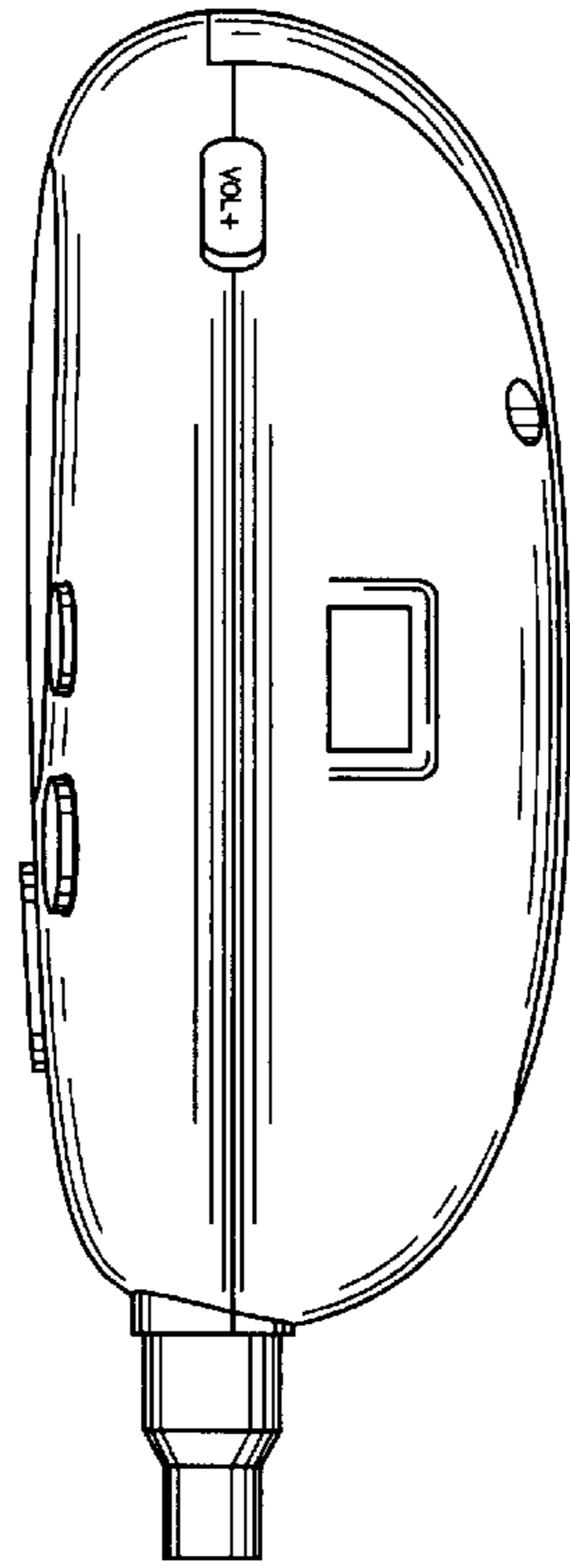


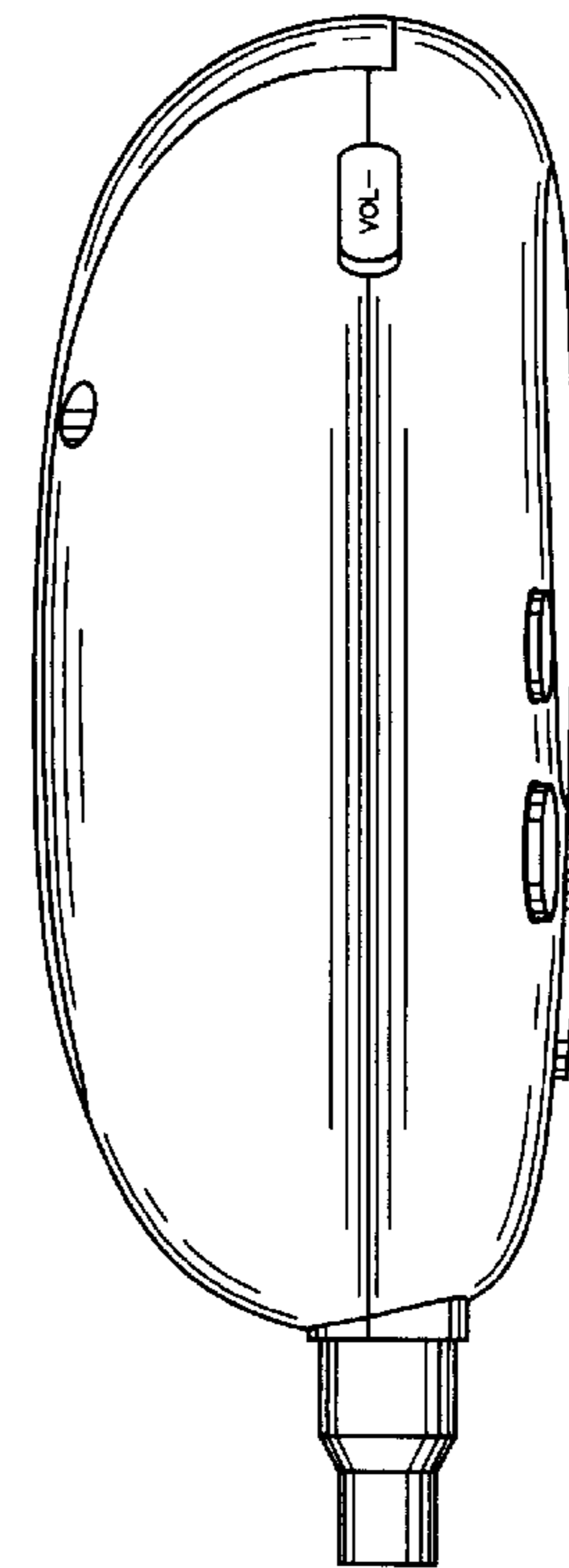
FIG. 2



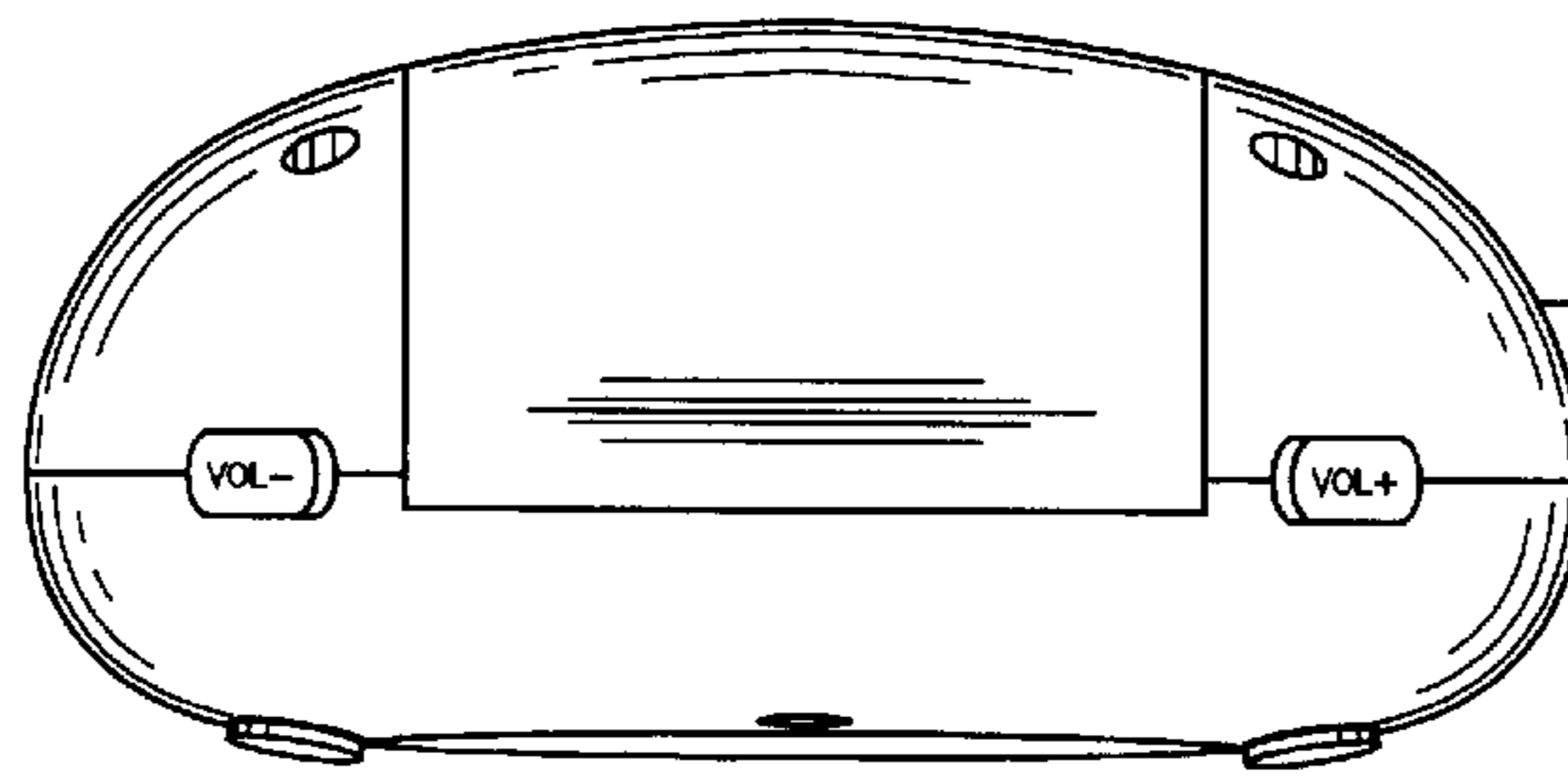
*FIG. 4*



*FIG. 5*



*FIG. 6*



*FIG. 7*

