

US00D539296S

(12) **United States Design Patent**
Hayashi et al.

(10) **Patent No.:** **US D539,296 S**

(45) **Date of Patent:** **** Mar. 27, 2007**

(54) **ROTARY DAMPER**

(75) Inventors: **Ken Hayashi**, Aichi (JP); **Shun Cho**, Tokyo (JP); **Kazuyoshi Koizumi**, Kanagawa (JP); **Yoshihisa Takei**, Kanagawa (JP)

(73) Assignee: **Nifco Inc.**, Yokohama (JP)

(**) Term: **14 Years**

(21) Appl. No.: **29/242,967**

(22) Filed: **Nov. 17, 2005**

(30) **Foreign Application Priority Data**

May 19, 2005 (JP) 2005-014390

(51) **LOC (8) Cl.** **14-99**

(52) **U.S. Cl.** **D14/483**

(58) **Field of Classification Search** D14/474-483, D14/496, 299; D8/499, 323; 360/220, 221.1, 360/230, 137; 475/92; 188/290, 262, 371, 188/378; 74/572, 574; D15/147, 199, 143
See application file for complete search history.

(56) **References Cited**

U.S. PATENT DOCUMENTS

4,571,773 A * 2/1986 Yuda 16/85

5,211,267 A * 5/1993 Clark 188/276
5,269,397 A * 12/1993 Kawamoto et al. 188/290
5,277,282 A * 1/1994 Umemura 188/290
5,355,979 A * 10/1994 Stephan et al. 188/290
5,392,884 A * 2/1995 Ojima 188/293
5,839,548 A * 11/1998 Parker et al. 188/82.1
D479,242 S * 9/2003 Kurachi et al. D14/483
D486,833 S * 2/2004 Koizumi et al. D14/483
D513,264 S * 12/2005 Hayashi D14/483
7,065,829 B2 * 6/2006 Okabayashi et al. 16/51

* cited by examiner

Primary Examiner—Prabhakar Deshmukh

(74) *Attorney, Agent, or Firm*—Manabu Kanesaka

(57) **CLAIM**

The ornamental design for a rotary damper, as shown and described.

DESCRIPTION

FIG. 1 is a front view of a rotary damper showing our new design;
FIG. 2 is a rear view thereof;
FIG. 3 is a right side view thereof;
FIG. 4 is a left side view thereof;
FIG. 5 is a plan view thereof;
FIG. 6 is a bottom view thereof; and,
FIG. 7 is a section view taken along line 7—7 in FIG.5.

1 Claim, 3 Drawing Sheets

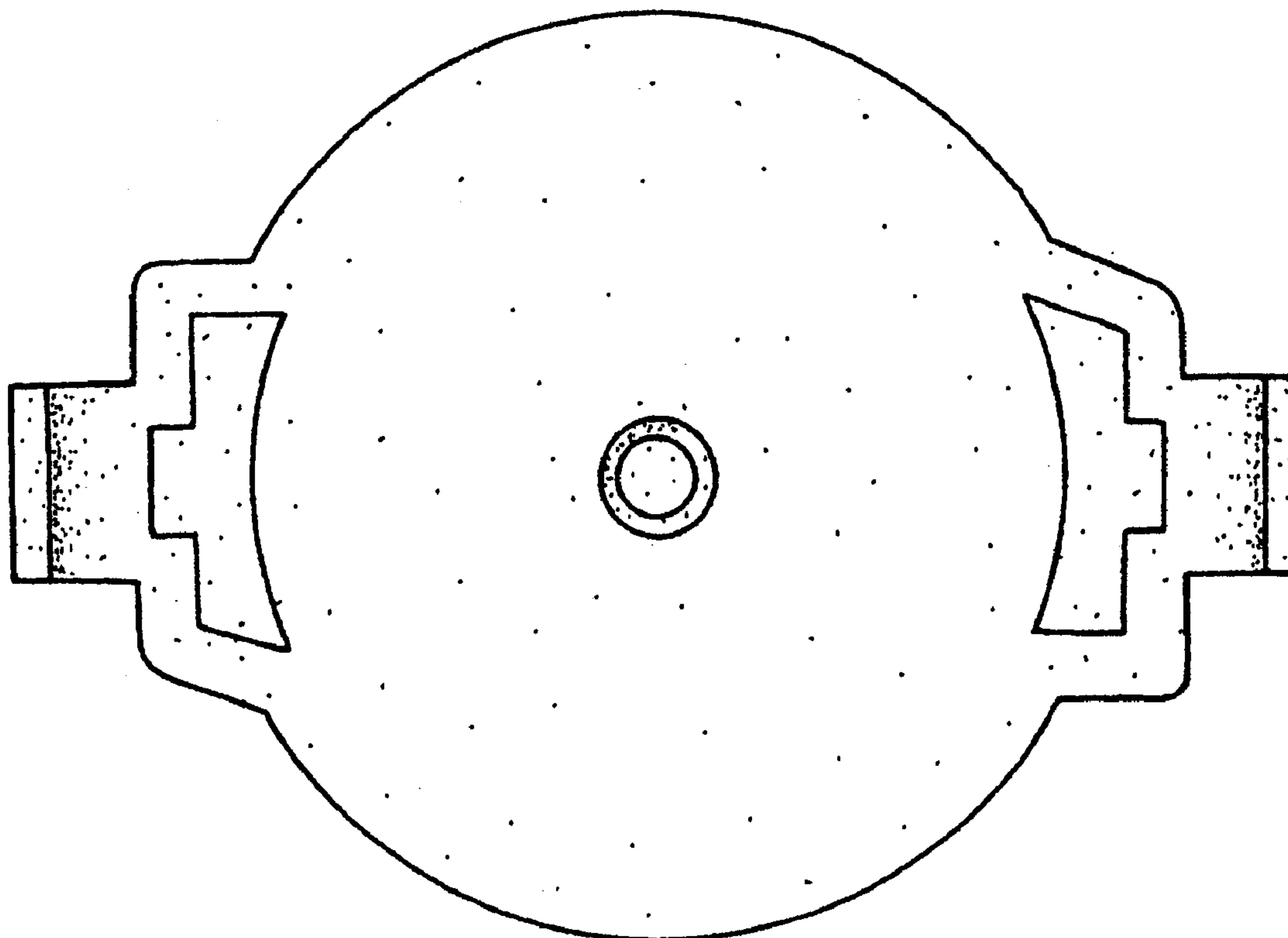


Fig. 1

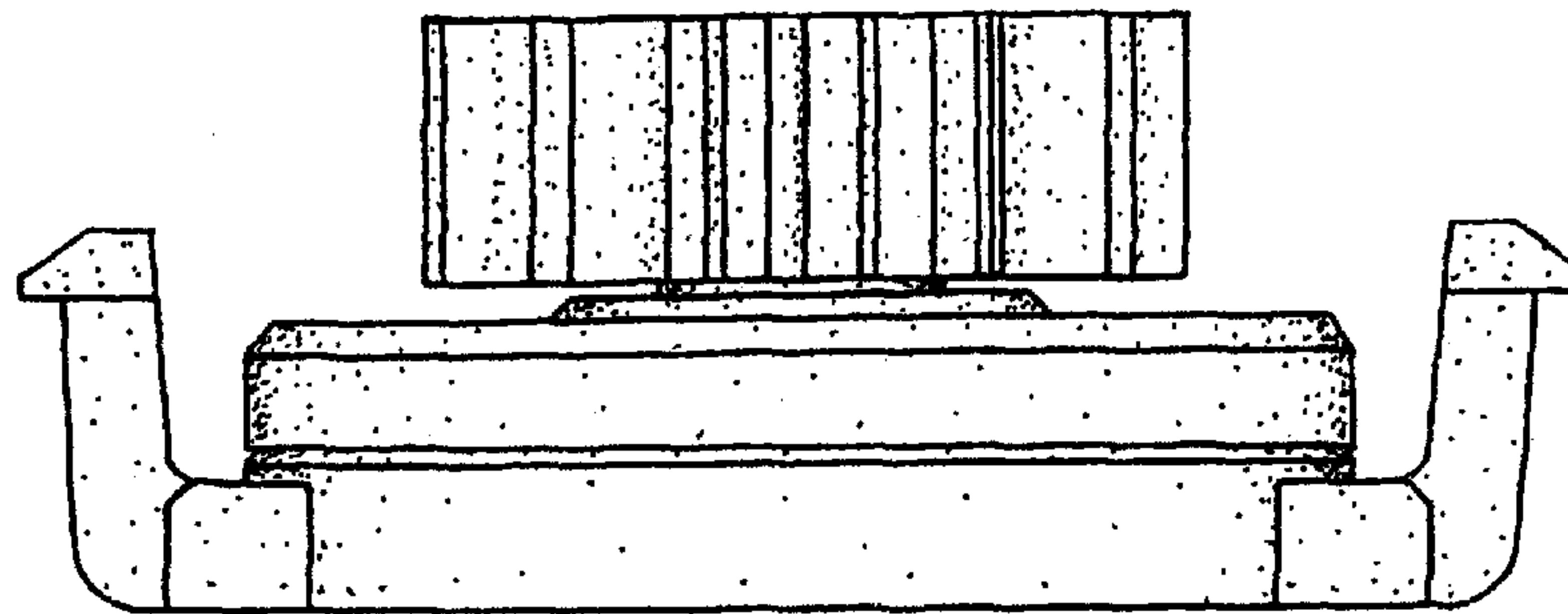


Fig. 2

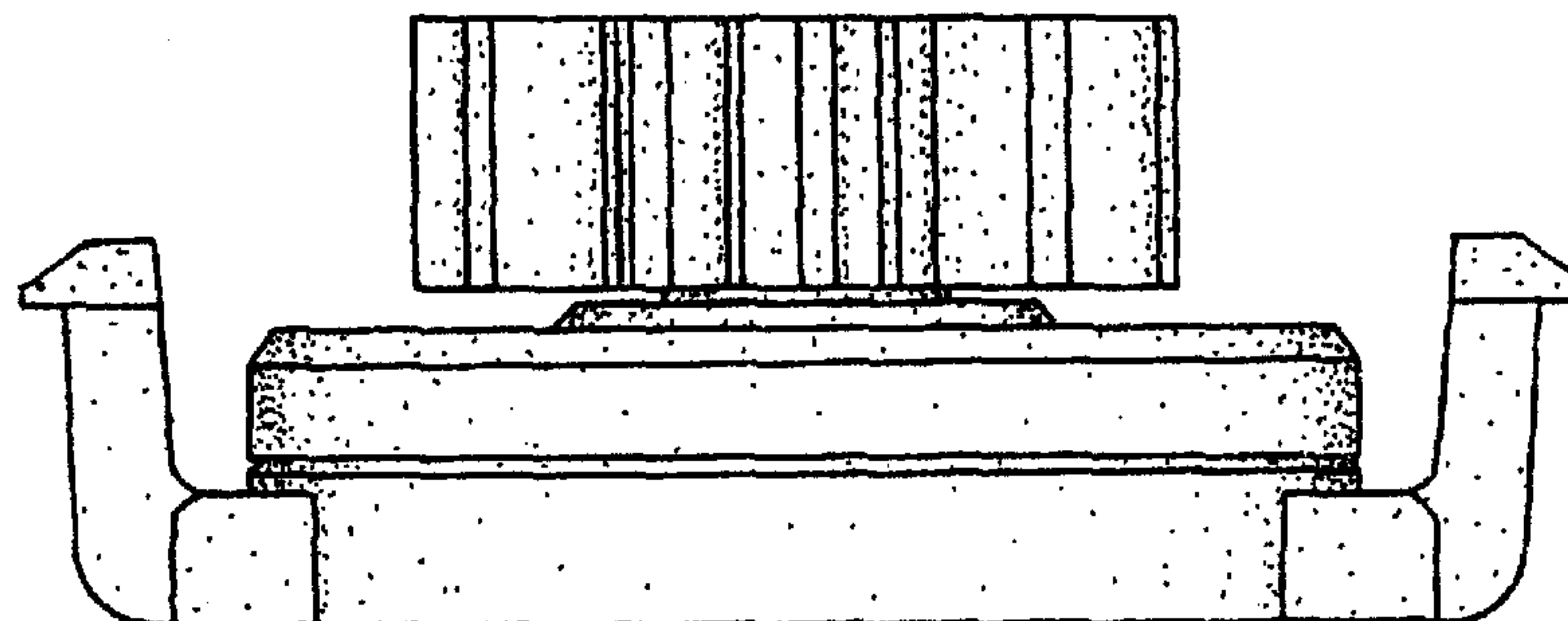


Fig. 3

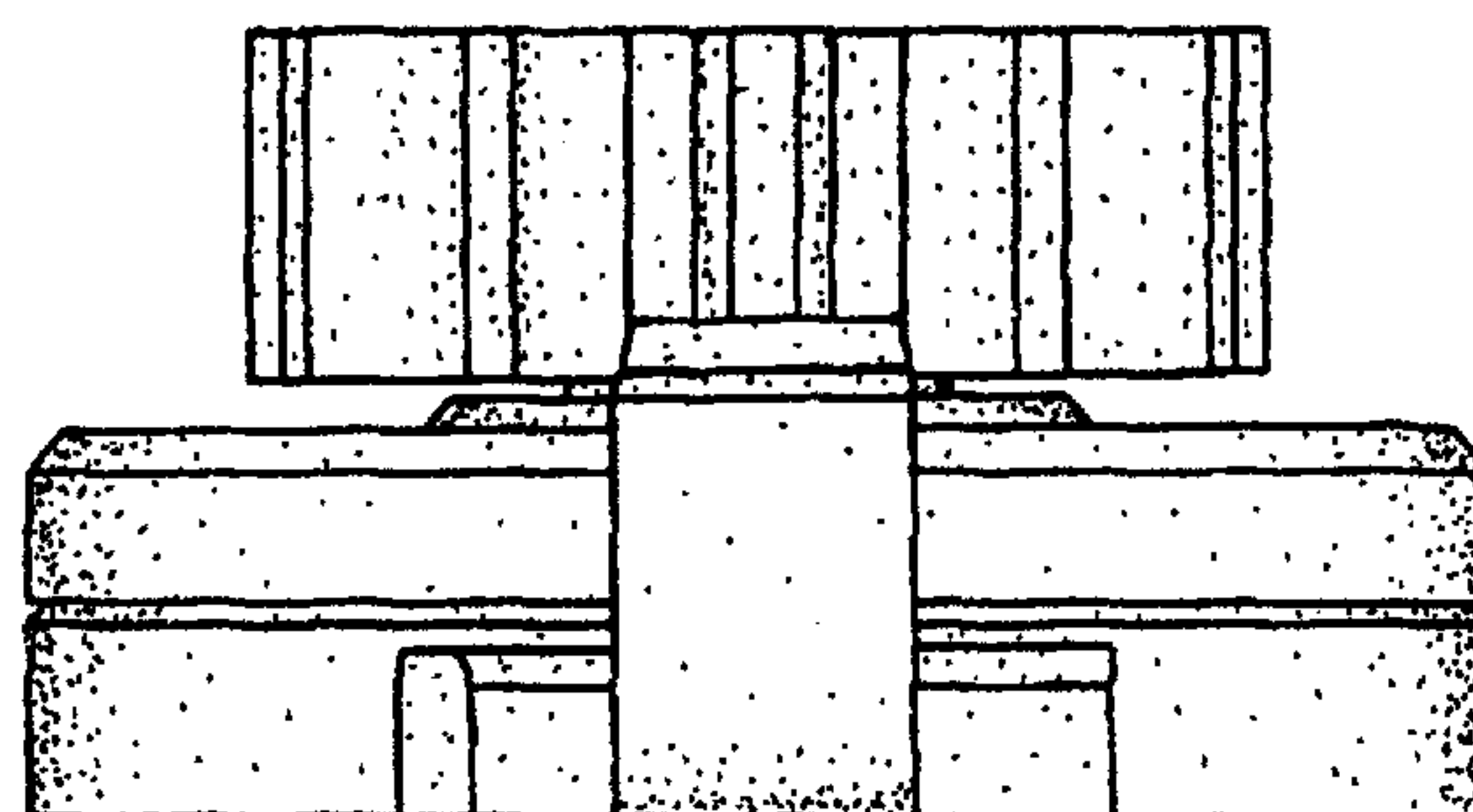


Fig. 4

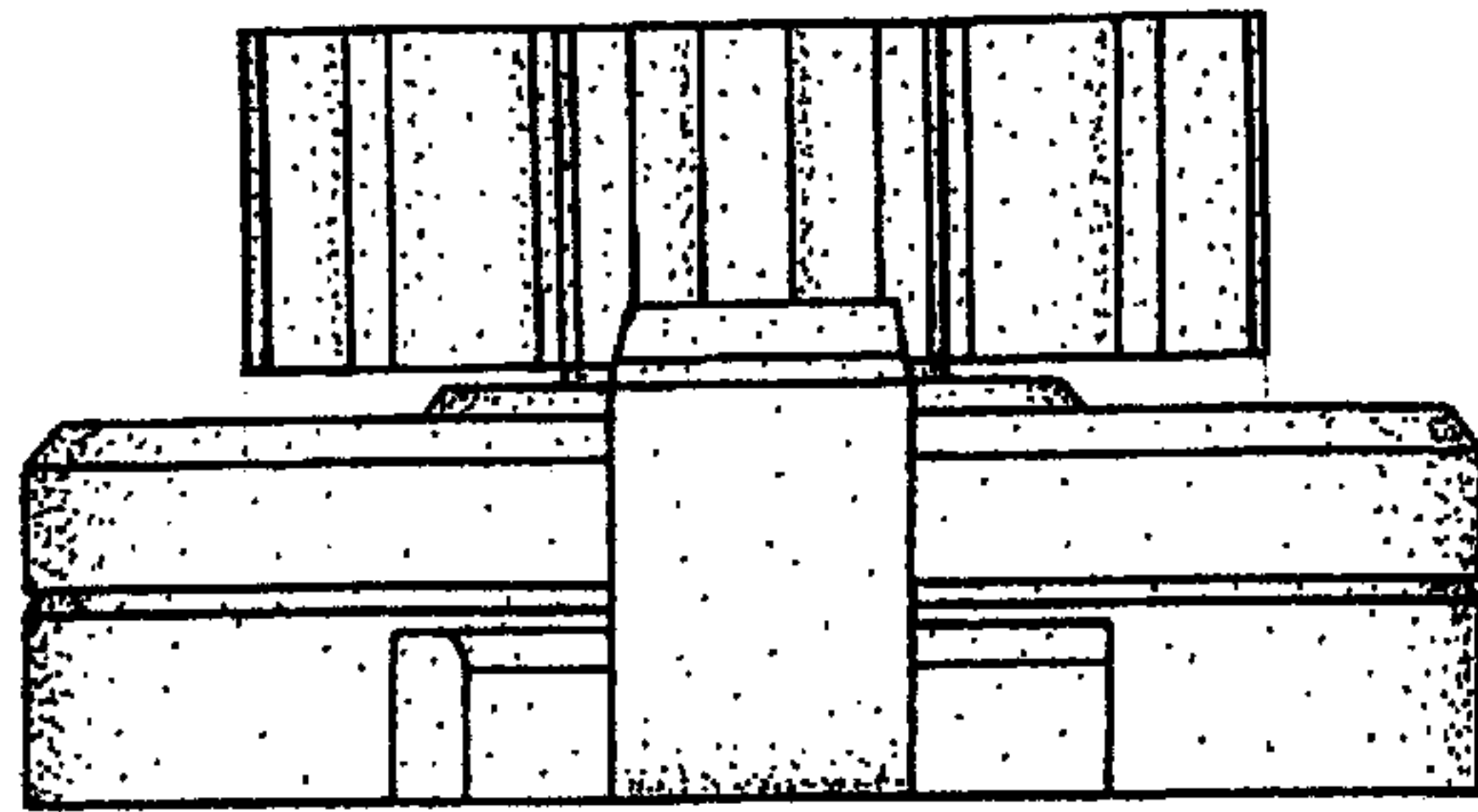


Fig. 5

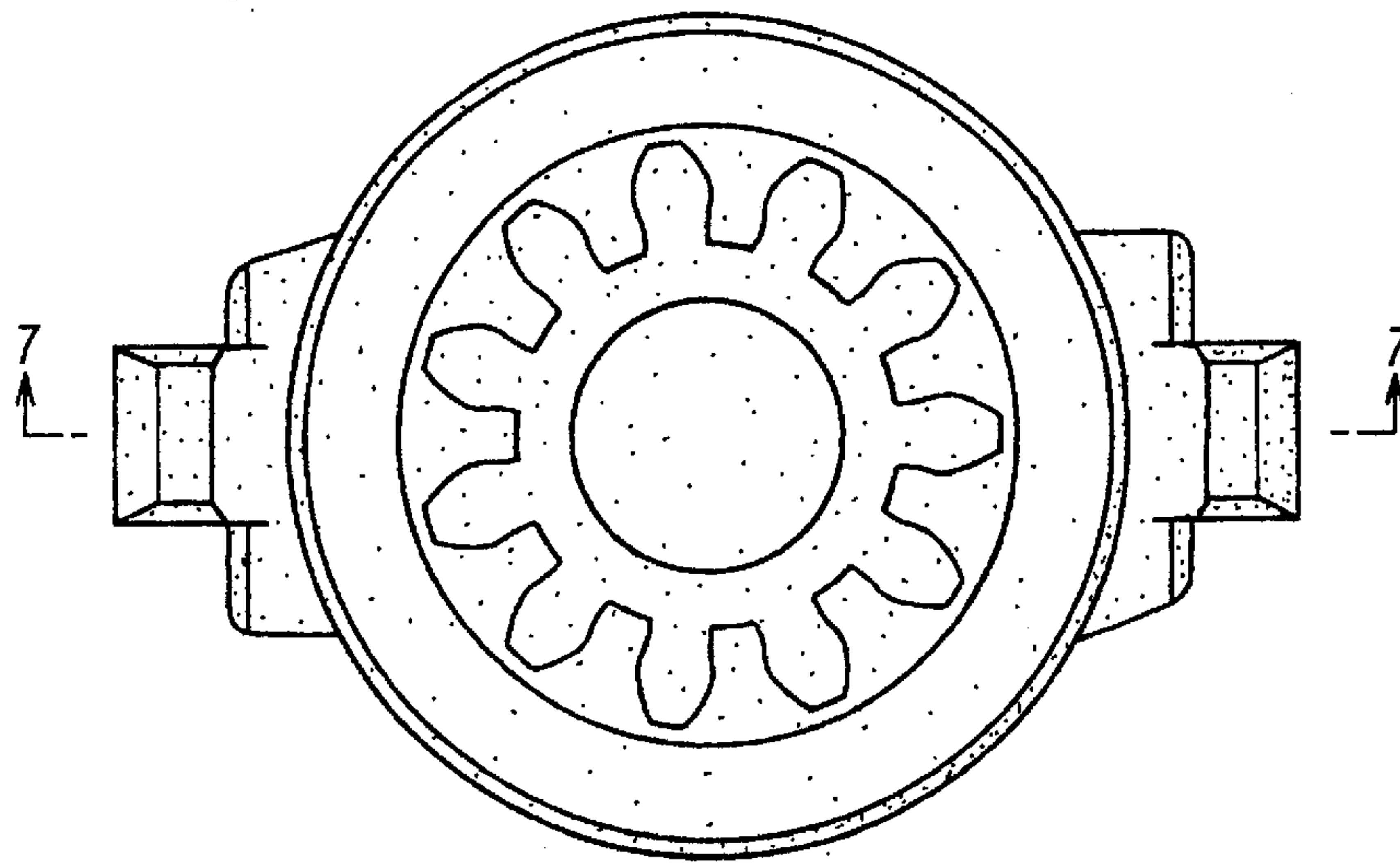


Fig. 6

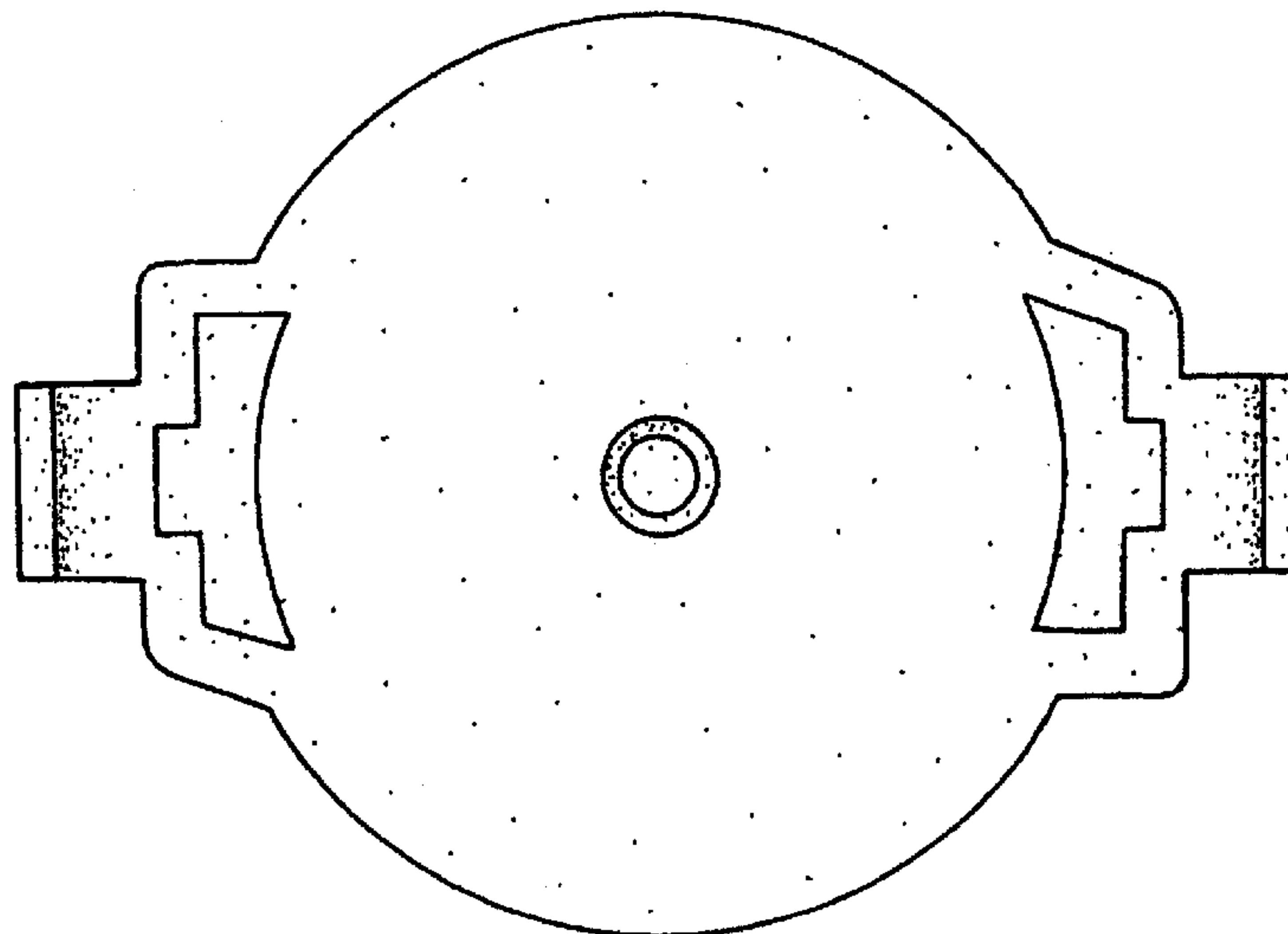


Fig. 7

